



US00D422466S

United States Patent [19] Kovach

[11] **Patent Number: Des. 422,466**

[45] **Date of Patent: ** Apr. 11, 2000**

[54] **UNIVERSAL UNDER-SINK WRENCH**

[75] Inventor: **James A. Kovach**, Parma, Ohio

[73] Assignee: **Superior Tool Workshop Company**

[**] Term: **14 Years**

[21] Appl. No.: **29/099,350**

[22] Filed: **Jan. 20, 1999**

[51] **LOC (6) Cl. 08-05**

[52] **U.S. Cl. D8/17**

[58] **Field of Search** D8/88, 89, 21-23,
D8/26-28, 16-19, 33-34; 81/3.07-3.49,
125.1-124.4, 119-176.1, 176.15, 177.6,
438; 7/138, 151-156

[56] **References Cited**

U.S. PATENT DOCUMENTS

D. 45,556	4/1914	Gravier et al.	D8/17
D. 54,127	11/1919	Roberts	D8/28
D. 135,158	3/1943	Miller	D8/27
D. 138,515	8/1944	Hardy	81/176.1 X
D. 176,974	2/1956	Brown	D8/17
D. 218,139	7/1970	Anthan	D8/16
D. 255,773	7/1980	Raske	D8/17 X
D. 307,701	5/1990	Planchon	D8/40
D. 309,411	7/1990	Strock	D8/17

D. 399,715 10/1988 Budd, Sr. D8/17
4,297,921 11/1981 Wydra

Primary Examiner—Jeffrey Asch

Attorney, Agent, or Firm—Watts, Hoffmann, Fisher & Heinke Co., L.P.A.

[57] **CLAIM**

The ornamental design for a universal under-sink wrench, as shown and described.

DESCRIPTION

FIG. 1 is a perspective view of the universal under-sink wrench;

FIG. 2 is a top plan view of the universal under-sink wrench, the bottom plan view being a mirror image;

FIG. 3 is a front elevational view of the universal under-sink wrench;

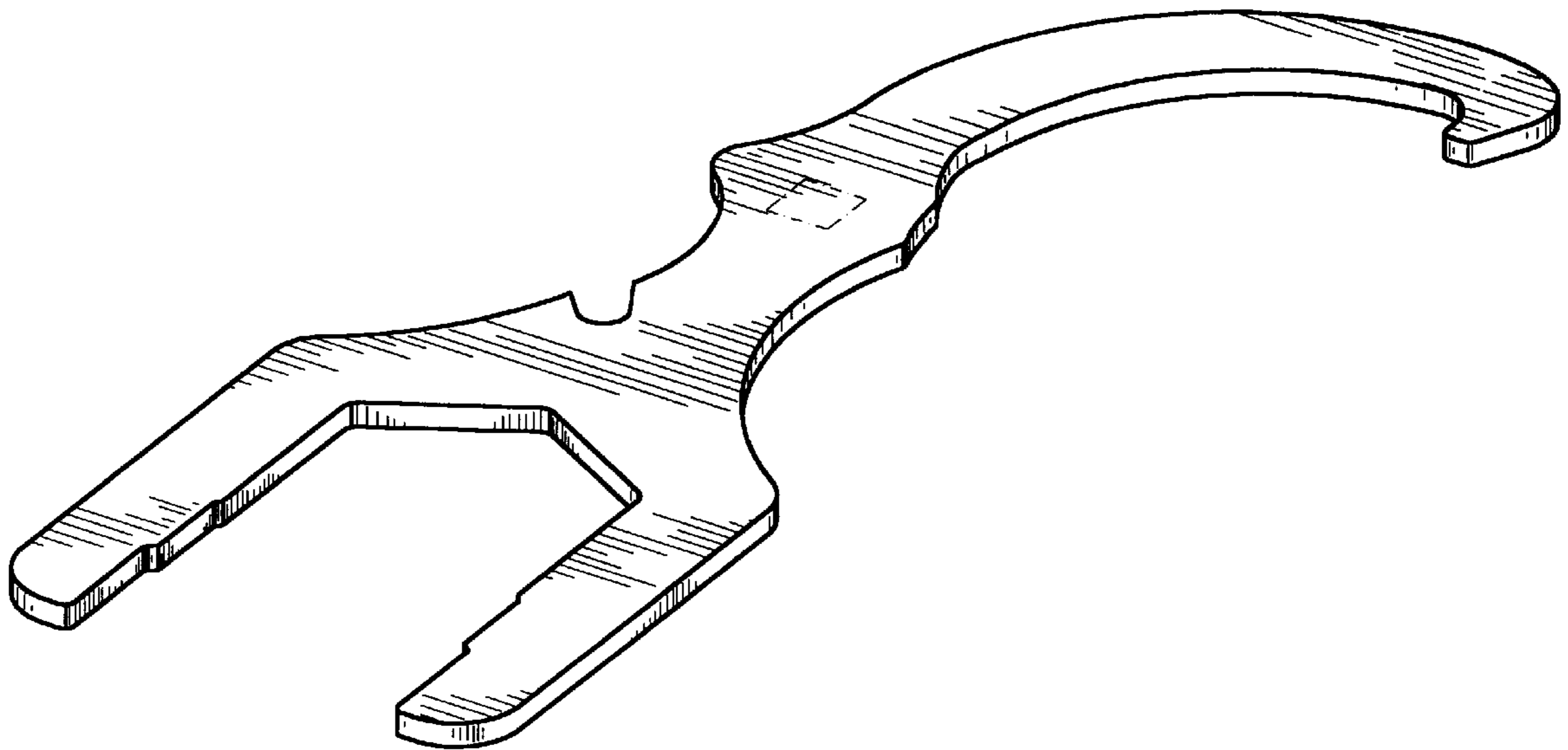
FIG. 4 is a rear elevational view of the universal under-sink wrench;

FIG. 5 is a left side elevational view of the universal under-sink wrench; and,

FIG. 6 is a right side elevational view of the universal under-sink wrench.

The broken lines in the drawing of the universal under-sink wrench in FIGS. 1 and 2 illustrate openings in the wrench and are for illustration purposes and form no part of the claimed design.

1 Claim, 1 Drawing Sheet



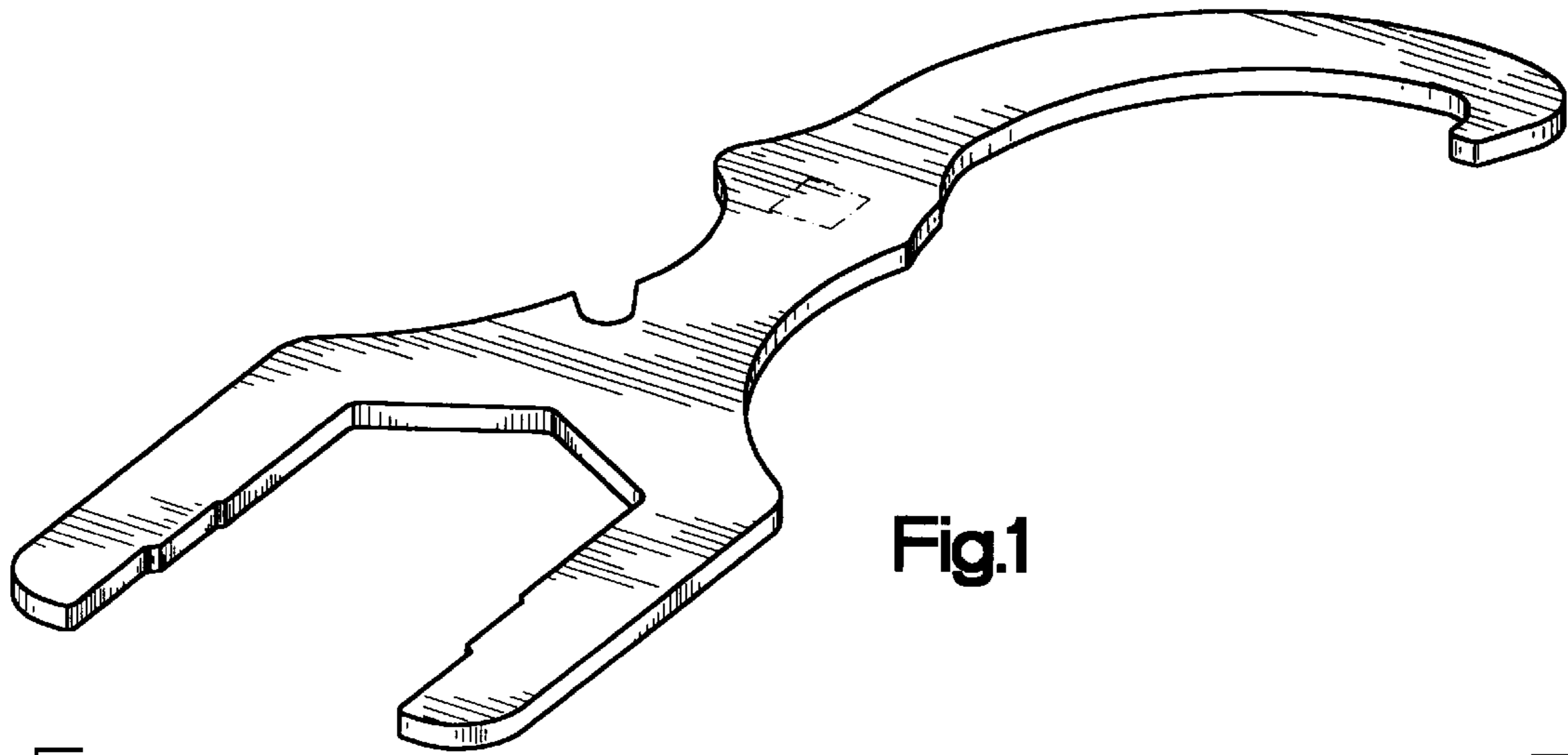


Fig.1

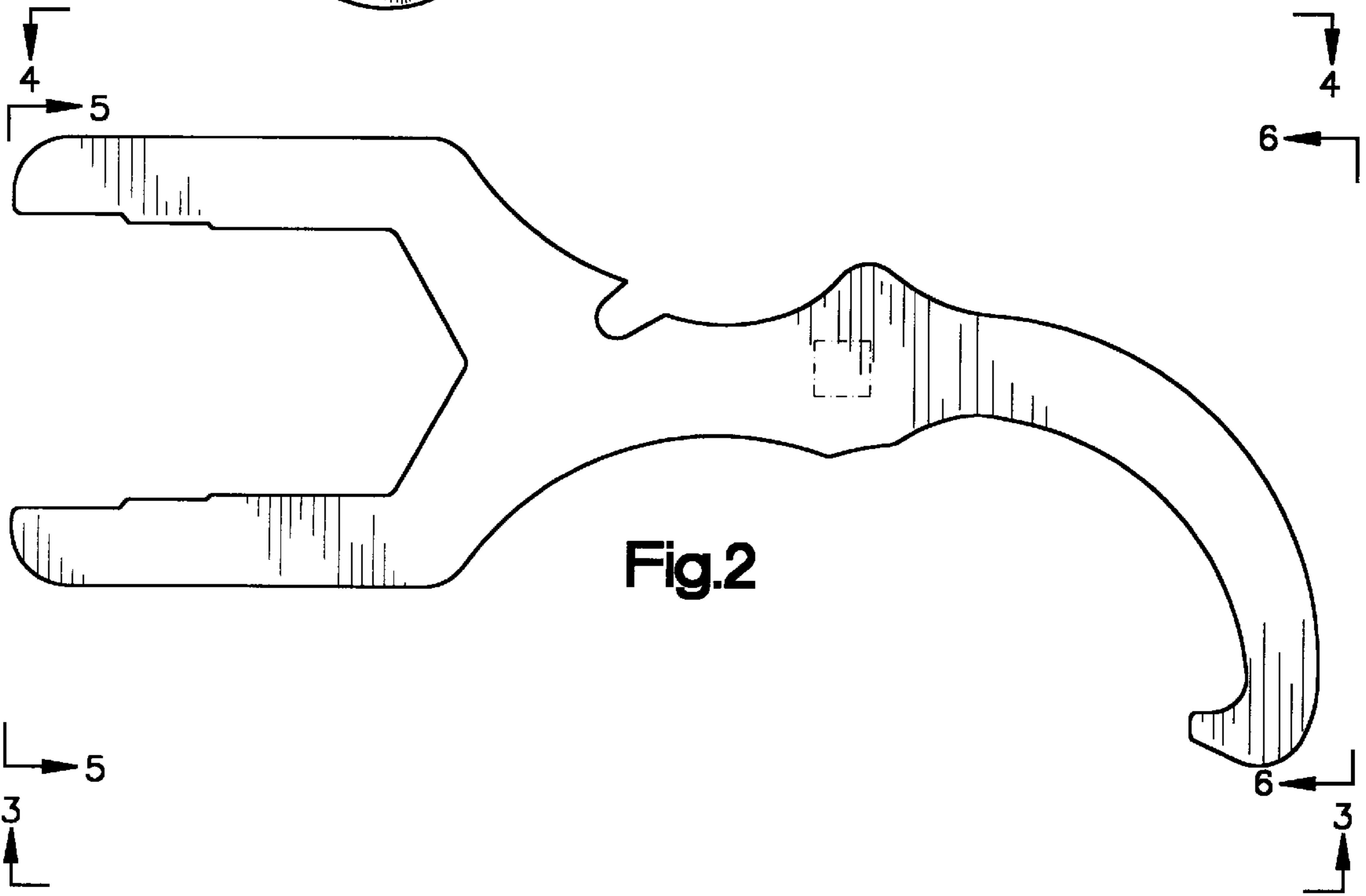


Fig.2



Fig.3



Fig.4

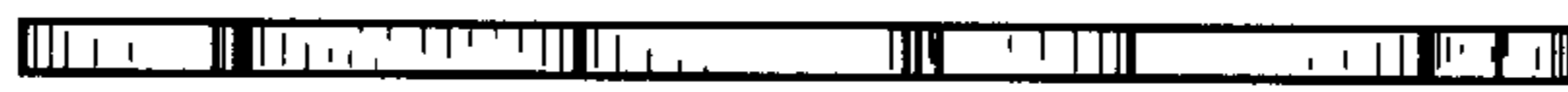


Fig.5

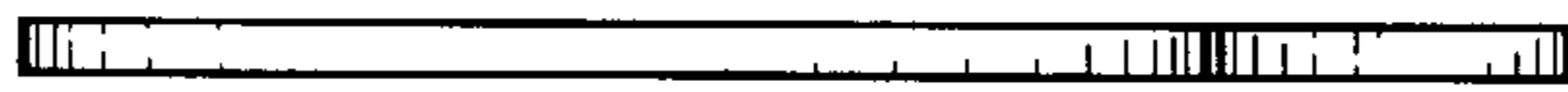


Fig.6