



US00D422464S

United States Patent [19] Choi

[11] **Patent Number: Des. 422,464**

[45] **Date of Patent: ** Apr. 11, 2000**

[54] **HANDLE FOR A RAKE**

3,232,355 2/1966 Woolworth 394/57

[75] Inventor: **Seung-kun Choi**, Cheongju-si, Rep. of Korea

Primary Examiner—Robin V. Taylor
Attorney, Agent, or Firm—Blakely Sokoloff Taylor & Zafman

[73] Assignee: **Bando Industrial Co., Ltd.**, Rep. of Korea

[57] **CLAIM**

[**] Term: **14 Years**

The ornamental design for handle for a rake, as shown and described.

[21] Appl. No.: **29/099,305**

[22] Filed: **Jan. 19, 1999**

[30] **Foreign Application Priority Data**

Aug. 12, 1998 [KR] Rep. of Korea 98-13511

[51] **LOC (6) Cl.** **08-01**

[52] **U.S. Cl.** **D8/13**

[58] **Field of Search** D8/10, 13, 97,
D8/107; 294/55, 57, 49; 81/177.1

DESCRIPTION

FIG. 1 is a front elevational view of the design for a handle for a rake;
FIG. 2 is a rear elevational view of the design of FIG. 1;
FIG. 3 is a left side elevational view of the design of FIG. 1;
FIG. 4 is a right side elevational view of the design of FIG. 1;
FIG. 5 is a top plan view of the design of FIG. 1;
FIG. 6 is a bottom plan view of the design of FIG. 1;
FIG. 7 is a top, front, right side perspective view of the design of the FIG. 1; and,
FIG. 8 is a perspective view of the design of FIG. 1 in a state as used.

[56] **References Cited**

U.S. PATENT DOCUMENTS

- D. 352,429 11/1994 Choi D8/1
- D. 369,072 4/1996 Huang D8/13
- D. 375,236 11/1996 Spear et al. D8/13

1 Claim, 5 Drawing Sheets

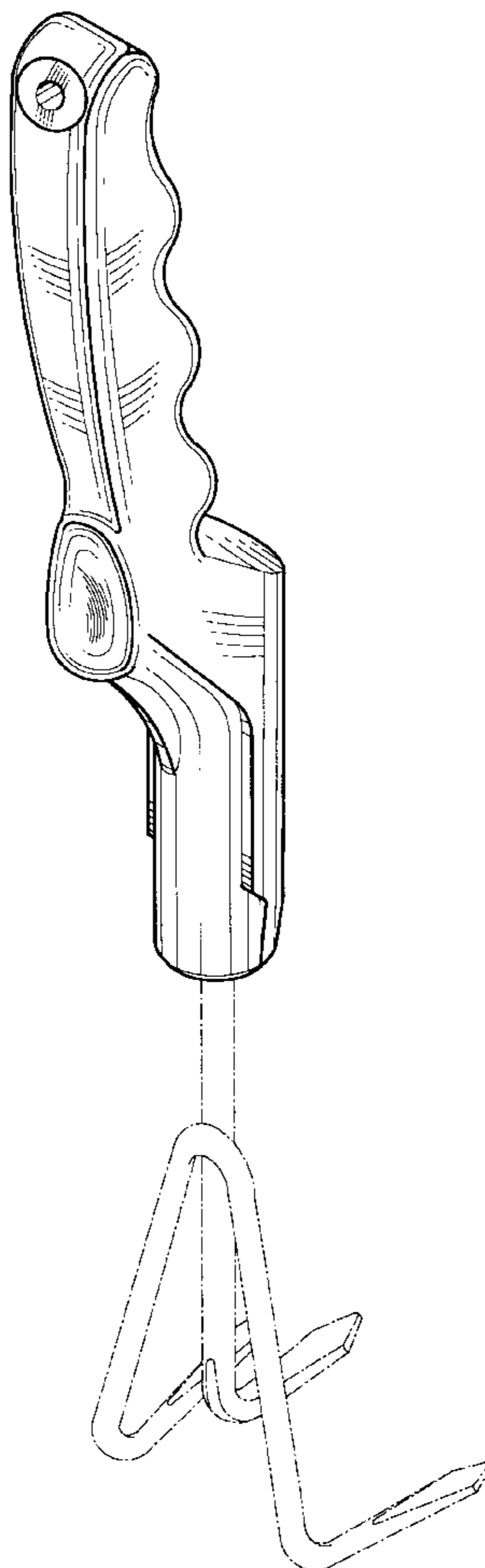


FIG.1

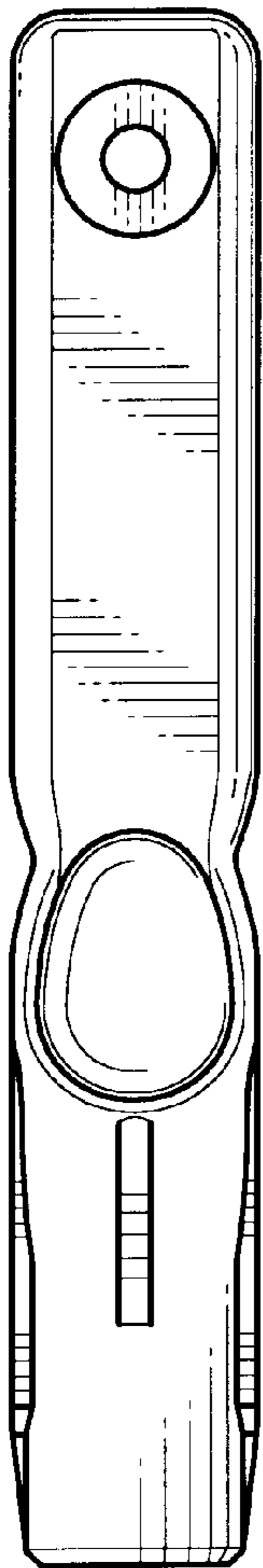


FIG.2

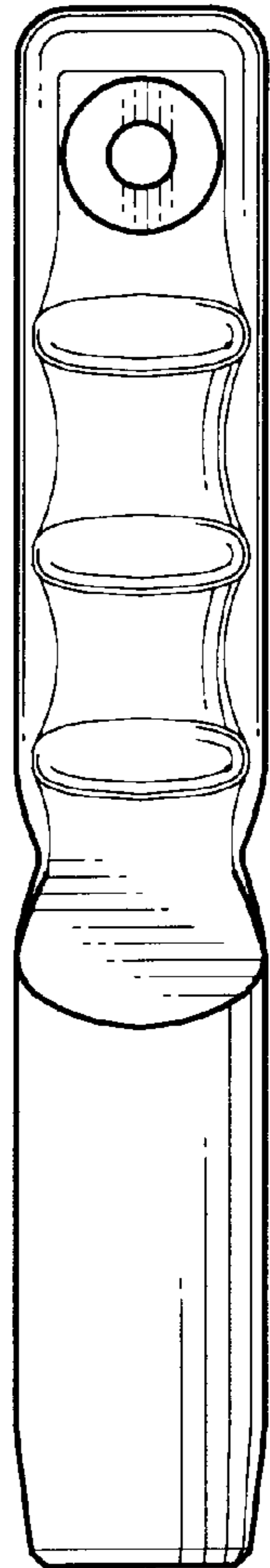


FIG.3

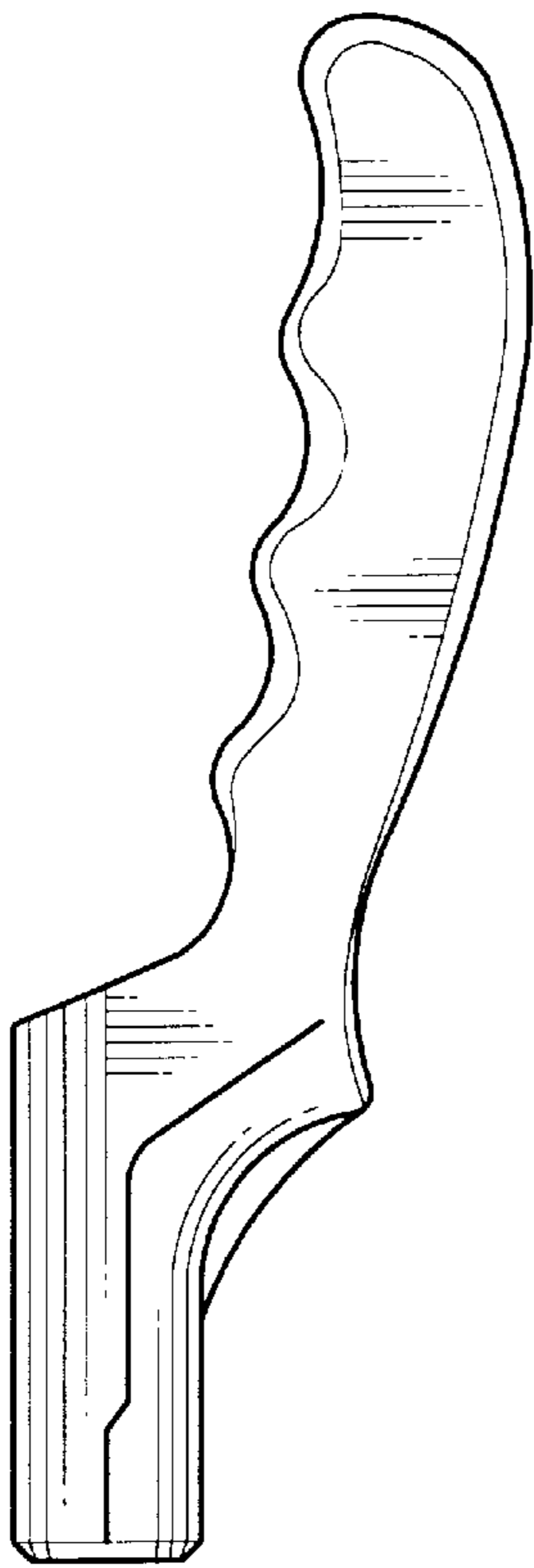


FIG.4

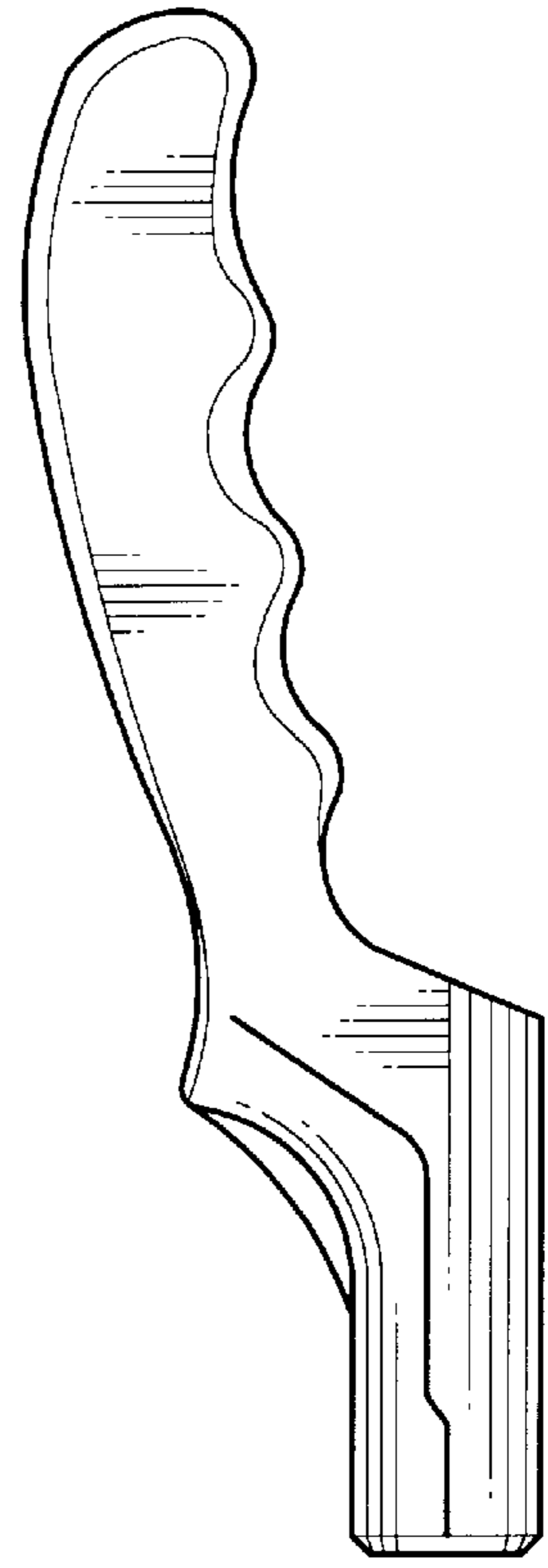


FIG. 5

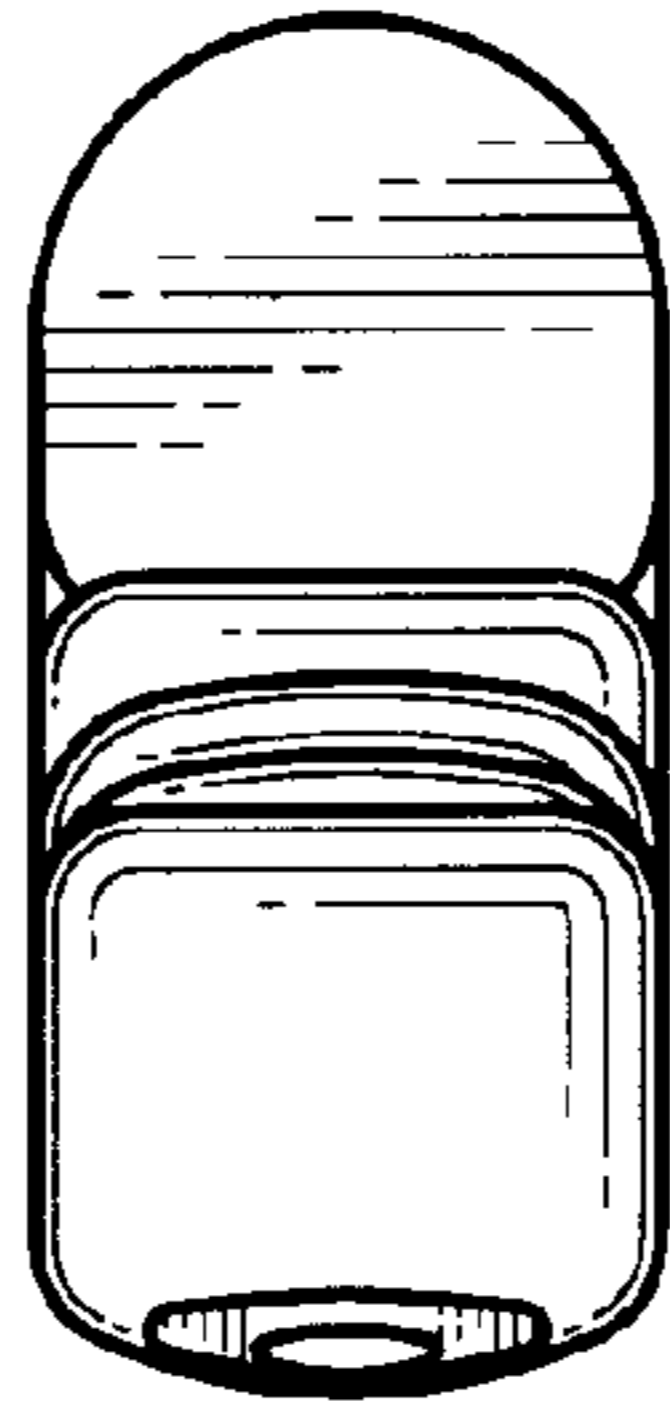


FIG. 6

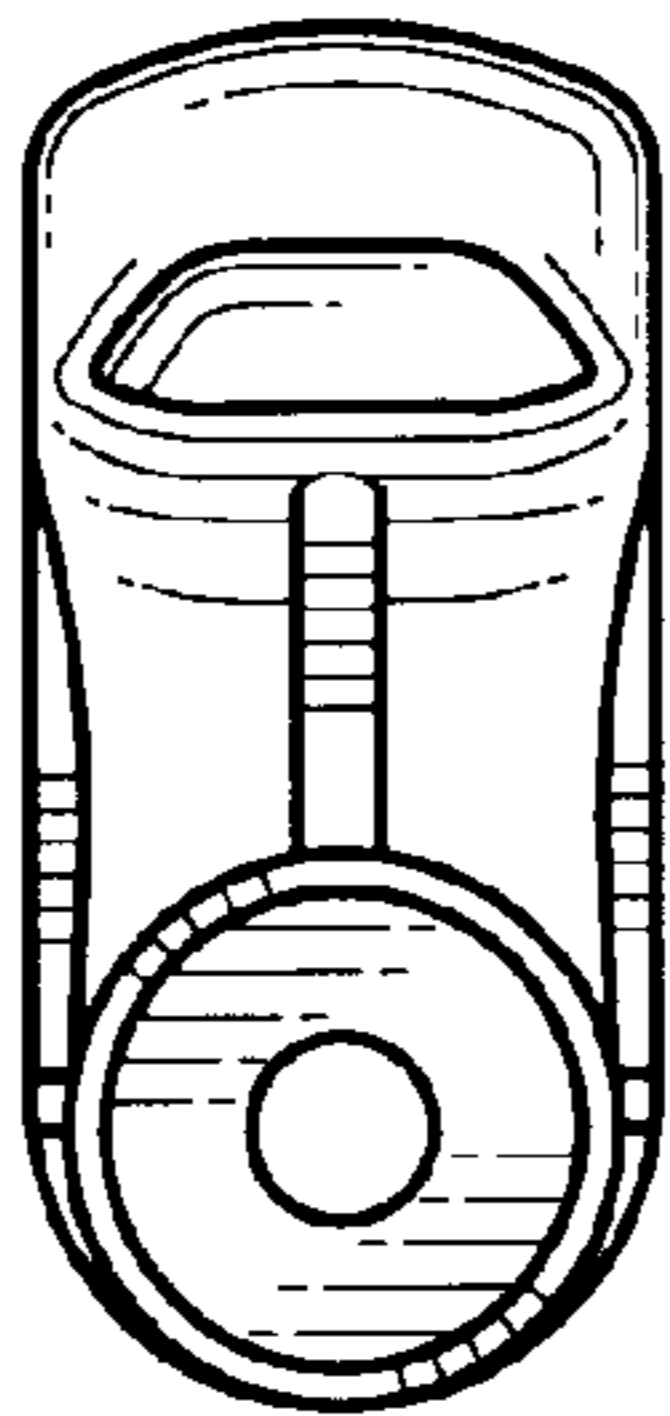


FIG. 7

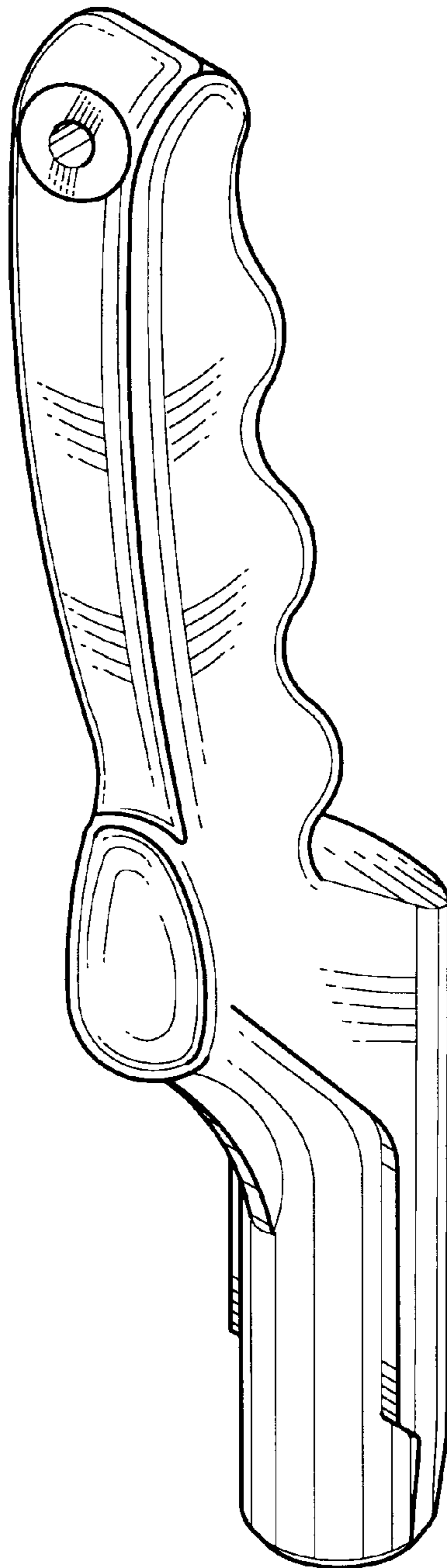
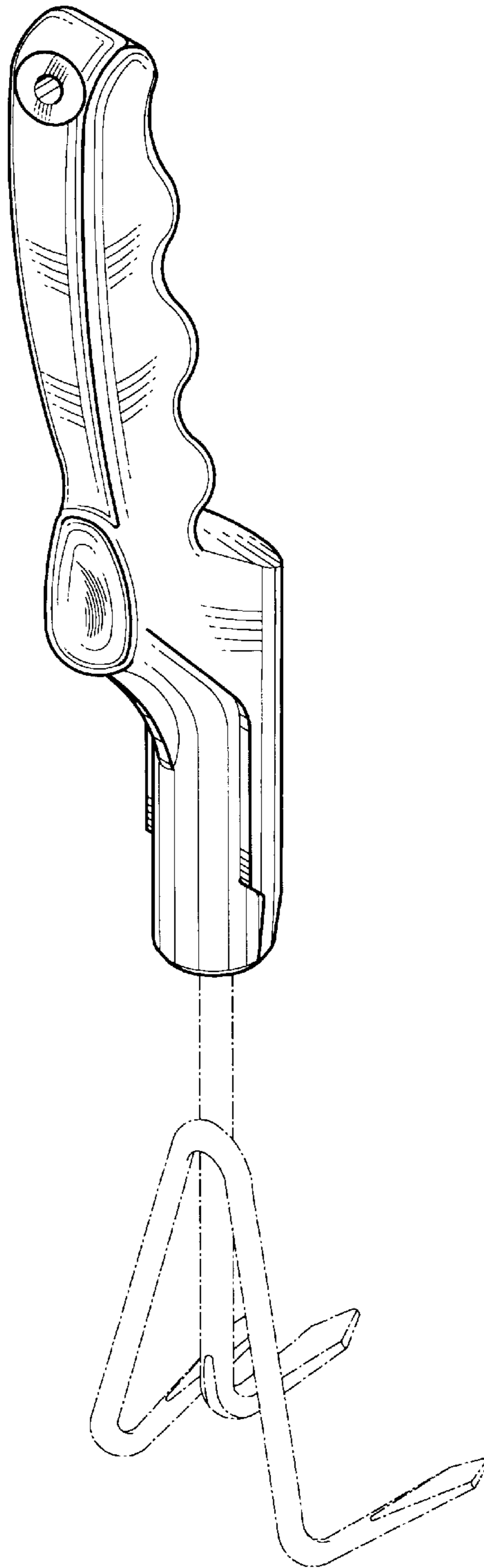


FIG. 8



UNITED STATES PATENT AND TRADEMARK OFFICE
CERTIFICATE OF CORRECTION

PATENT NO. : Des.422,464
DATED : Apr. 11, 2000
INVENTOR(S) : Choi

It is certified that error appears in the above-identified patent and that said Letters Patent is hereby corrected as shown below:

In [75], delete "Cheongju-si, Rep. of Korea" and insert -- Cheongju-si, Choongchung-bukdo, Rep. of Korea -- .

In [56], line 6, delete "3,232,355 2/1966 Woolworth394/57" and insert --
3,232,355 2/1966 Woolworth294/57 -- .

Signed and Sealed this
Twenty-fourth Day of April, 2001

Attest:



NICHOLAS P. GODICI

Attesting Officer

Acting Director of the United States Patent and Trademark Office