



US00D422461S

United States Patent [19] Gessert

[11] **Patent Number: Des. 422,461**

[45] **Date of Patent: ** Apr. 11, 2000**

[54] **SPATULA**

3,730,579 5/1973 Mock 294/8
4,753,472 6/1988 Fout 294/8 X

[76] Inventor: **Roy E. Gessert**, 10150 Stern Ave.,
Cupertino, Calif. 95014

Primary Examiner—Terry A Wallace
Attorney, Agent, or Firm—John J. Leavitt

[**] Term: **14 Years**

[57] **CLAIM**

[21] Appl. No.: **29/099,081**

The ornamental design for a spatula, as shown and described.

[22] Filed: **Jan. 13, 1999**

DESCRIPTION

[51] **LOC (6) Cl.** **07-04**

[52] **U.S. Cl.** **D7/688**

[58] **Field of Search** D7/688, 698; 294/7,
294/8; D19/88

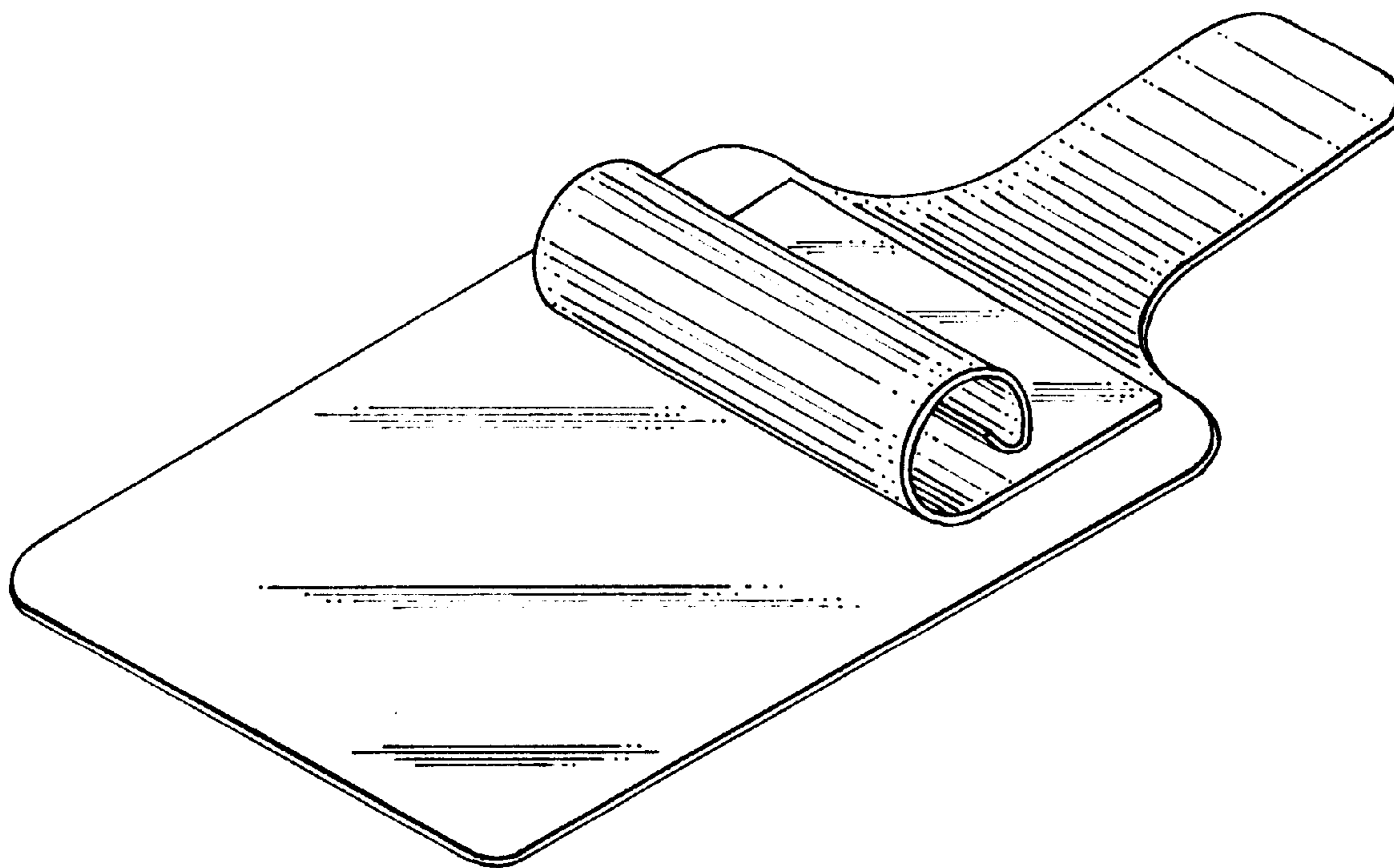
FIG. 1 is a top perspective view of my spatula.
FIG. 2 is a top plan view thereof.
FIG. 3 is a left side elevational view thereof.
FIG. 4 is a right side elevational view thereof.
FIG. 5 is a top elevational edge view thereof.
FIG. 6 is a bottom elevational edge view thereof; and,
FIG. 7 is a bottom plan view thereof.

[56] **References Cited**

U.S. PATENT DOCUMENTS

697,183 4/1902 Stout 294/7 X
1,484,917 2/1924 Vreeland 294/7

1 Claim, 2 Drawing Sheets



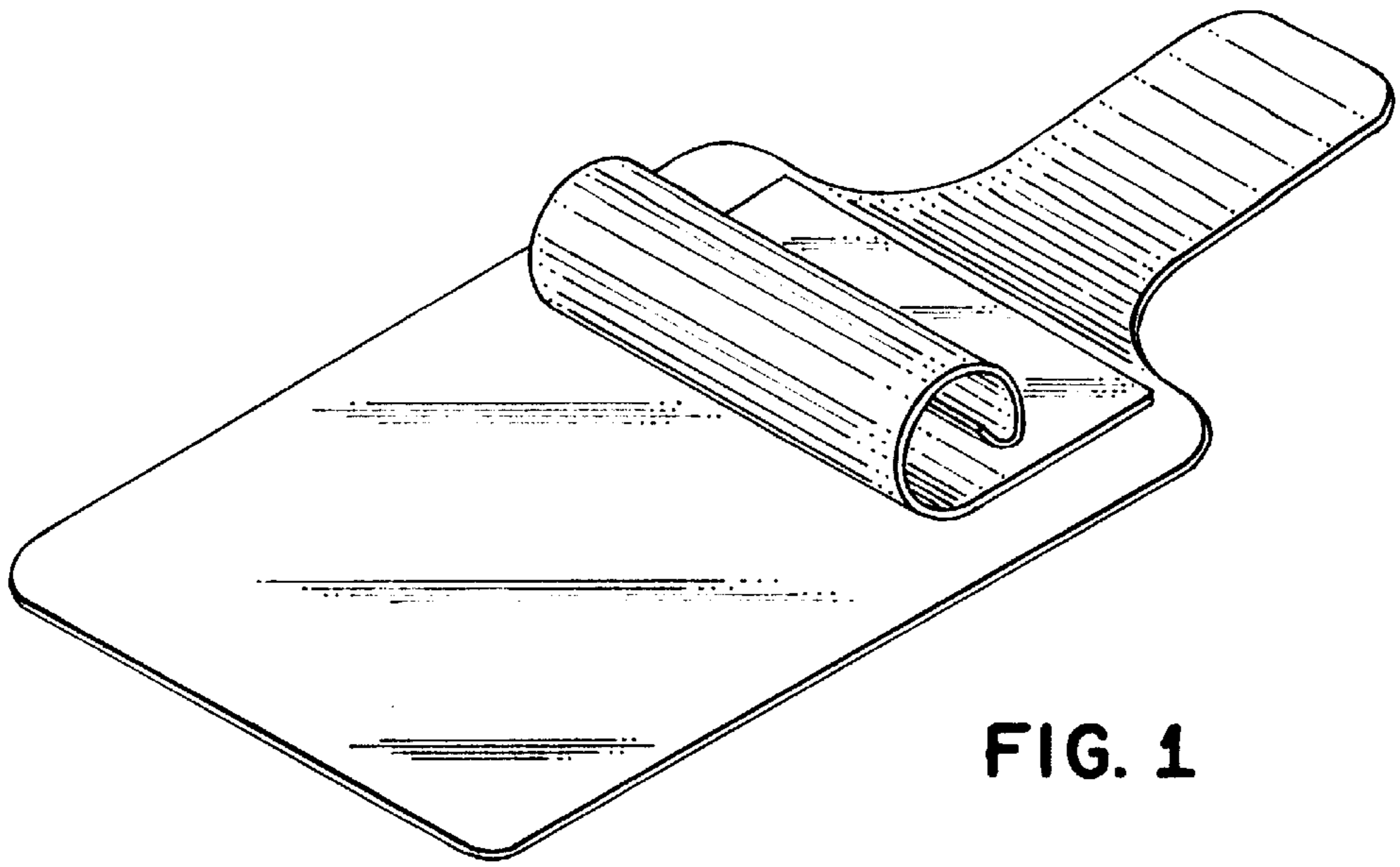


FIG. 1

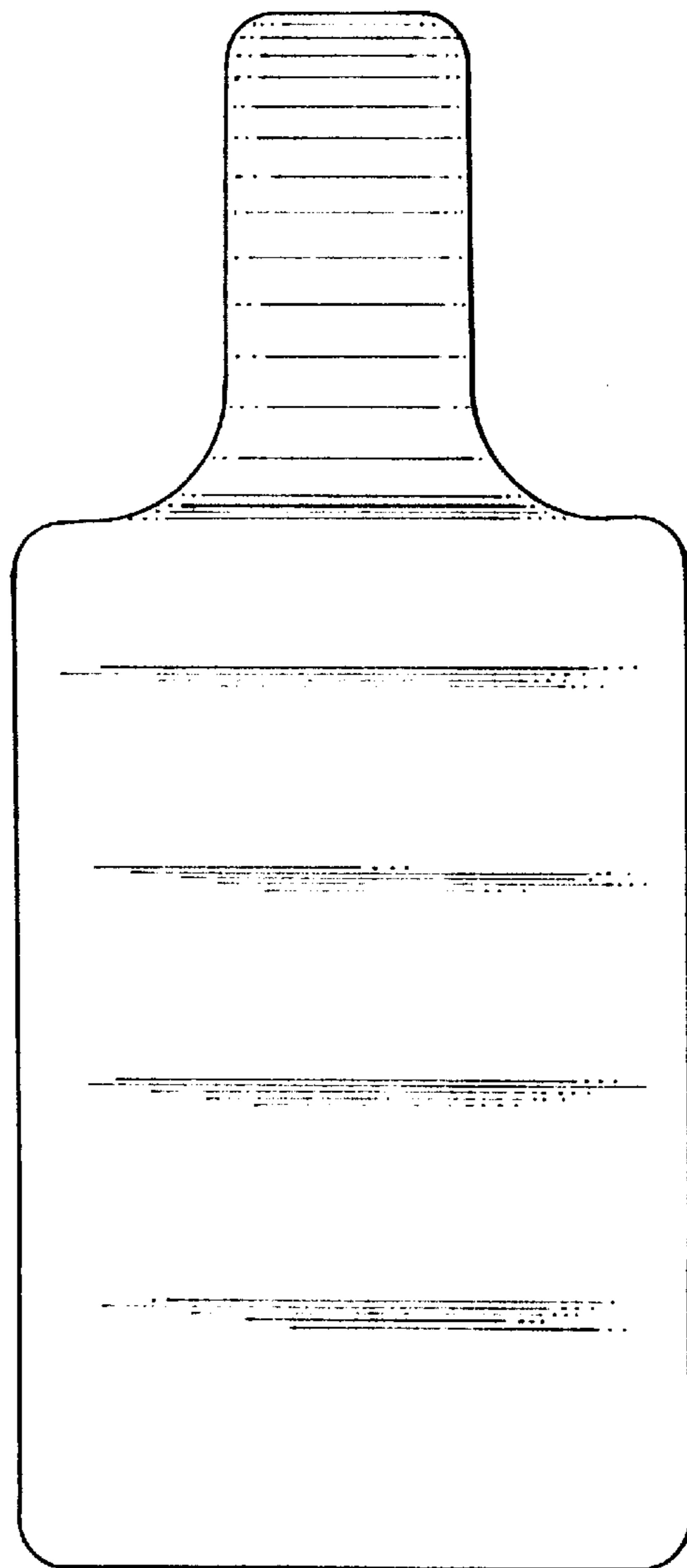


FIG. 7

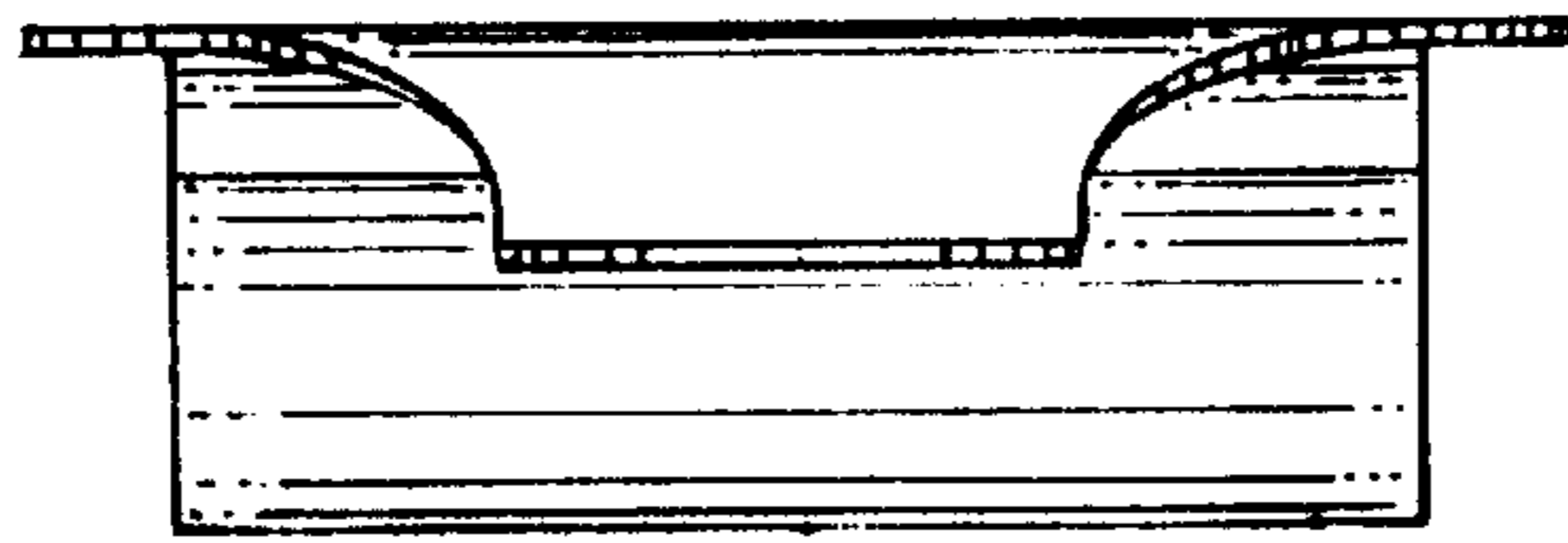


FIG. 5

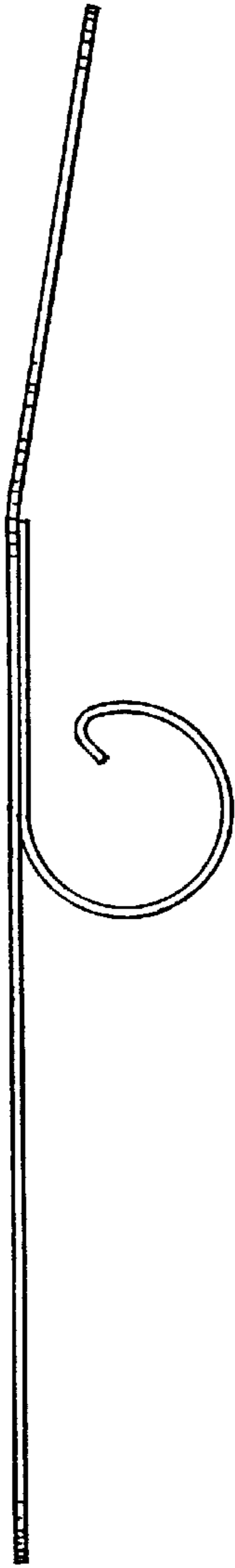


FIG. 3

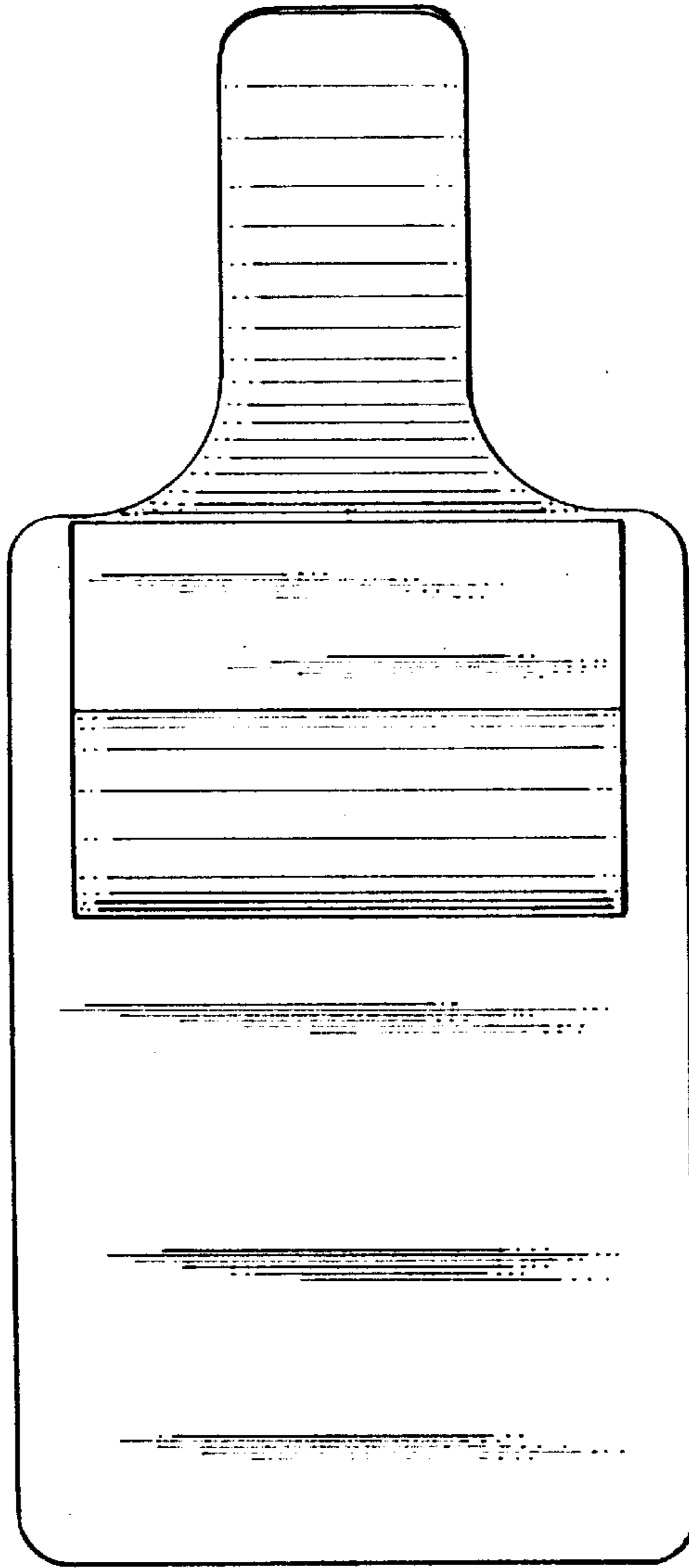


FIG. 2

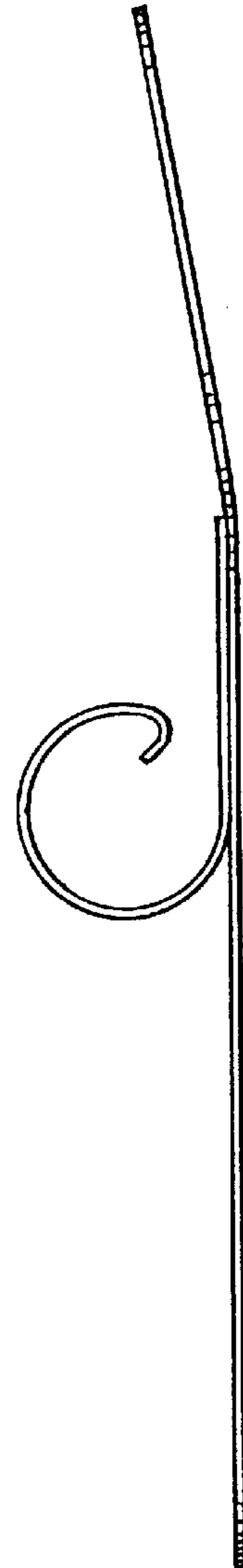


FIG. 4

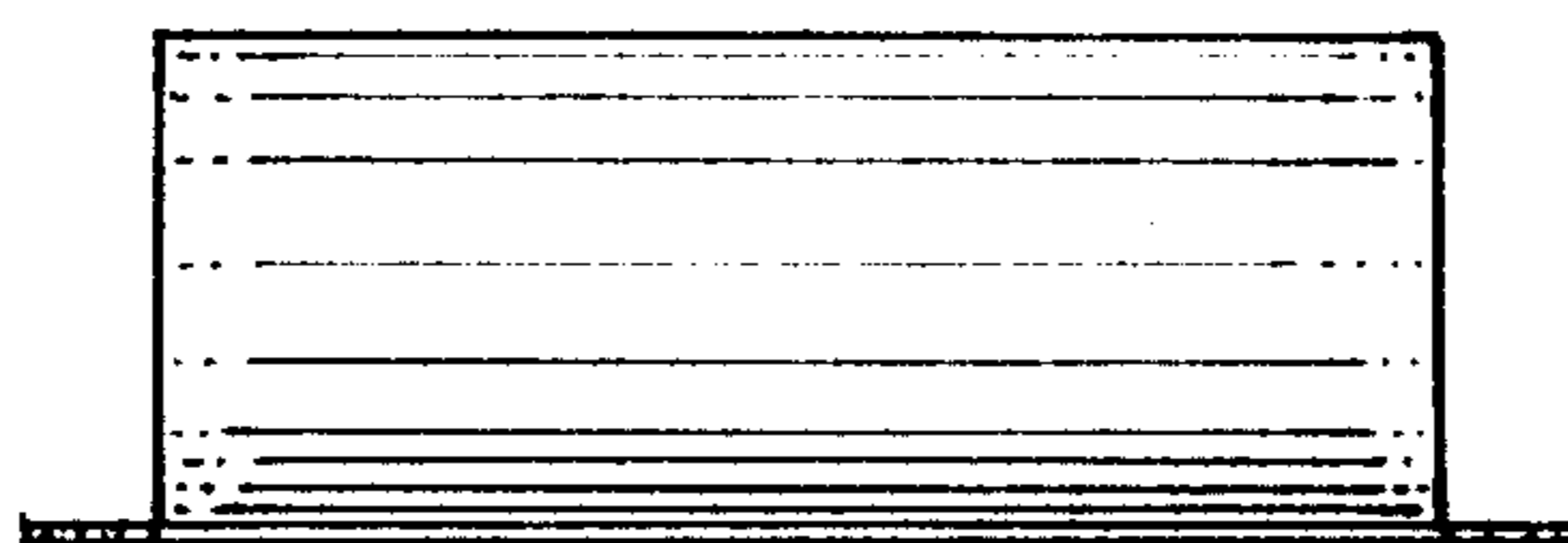


FIG. 6