



US00D422457S

United States Patent [19]

[11] Patent Number: Des. 422,457

Daenen et al.

[45] Date of Patent: ** Apr. 11, 2000

[54] CANISTER WITH OPPOSED CUTOUTS

Attorney, Agent, or Firm—Taylor J. Ross

[75] Inventors: Robert H. C. M. Daenen, Herne; Nele Wallays, Antwerp; Victor J. J. Cautereels, Ranst, all of Belgium

[57] CLAIM

The ornamental design for a canister with opposed cutouts, as shown and described.

[73] Assignee: Dart Industries Inc., Orlando, Fla.

DESCRIPTION

[**] Term: 14 Years

FIG. 1 is a top, side and front perspective view of a first embodiment of a canister with opposed cutouts showing the new design;

[21] Appl. No.: 29/109,469

FIG. 2 is a front elevation view thereof;

[22] Filed: Aug. 16, 1999

FIG. 3 is a rear elevation view thereof;

[51] LOC (6) Cl. 07-07

FIG. 4 is a right side elevation view thereof;

[52] U.S. Cl. D7/615; D7/629

FIG. 5 is a left side elevation view thereof;

[58] Field of Search D7/602, 615, 629, D7/612-614, 538-549; 220/780, 787, 796-798

FIG. 6 is a top plan view thereof; and

FIG. 7 is a bottom plan view thereof;

FIG. 8 is a top, side and front perspective view of a second embodiment of a canister with opposed cutouts showing the new design;

[56] References Cited

U.S. PATENT DOCUMENTS

D. 309,554	7/1990	Meisner	D7/602
D. 328,014	7/1992	DeCoster et al.	D7/629
D. 352,425	11/1994	Daenen et al.	D7/602
D. 358,933	6/1995	Stein	D7/629 X
D. 389,011	1/1998	DeCoster	D7/387

FIG. 9 is a front elevation view thereof;

FIG. 10 is a rear elevation view thereof;

FIG. 11 is a right side elevation view thereof;

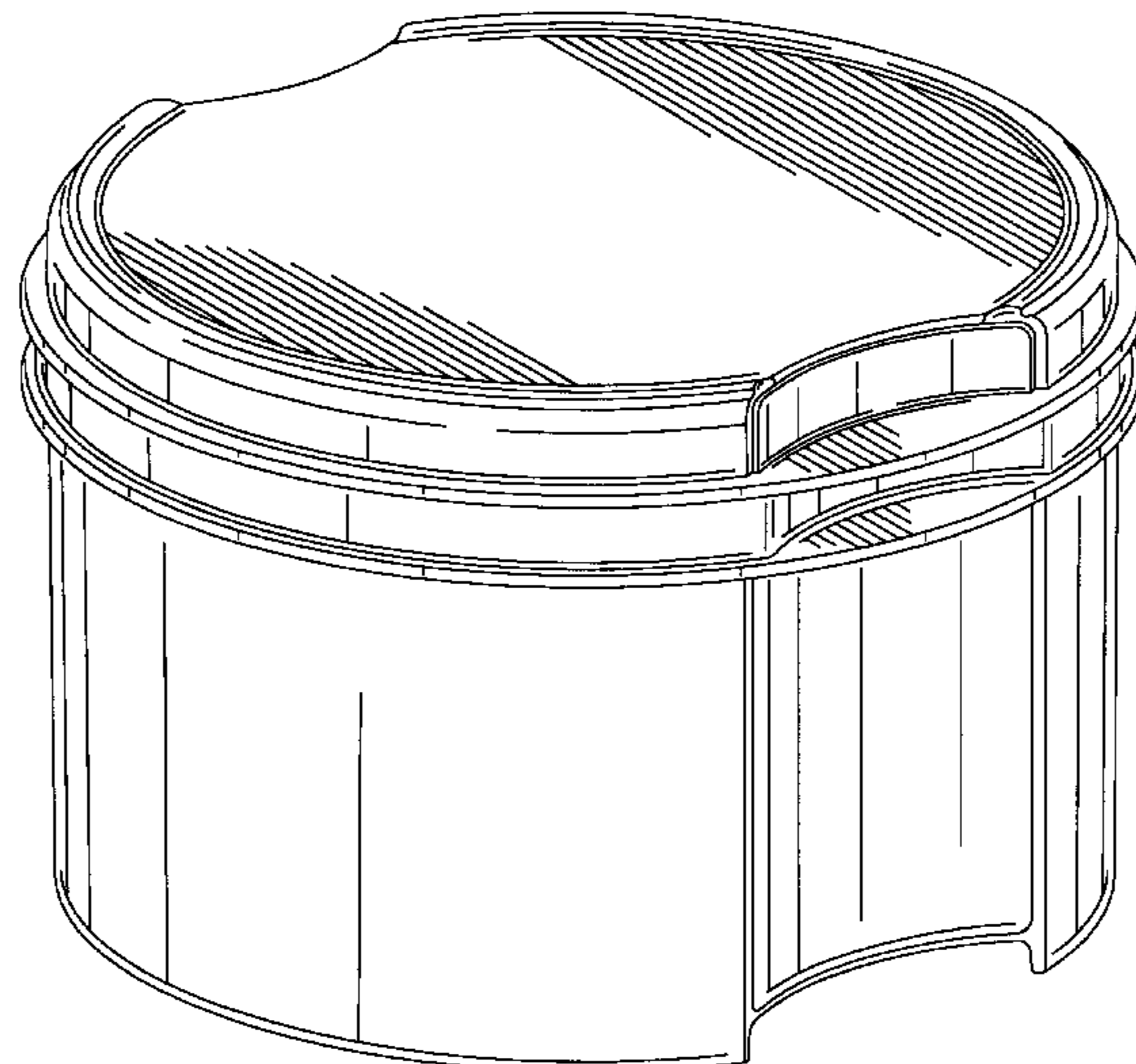
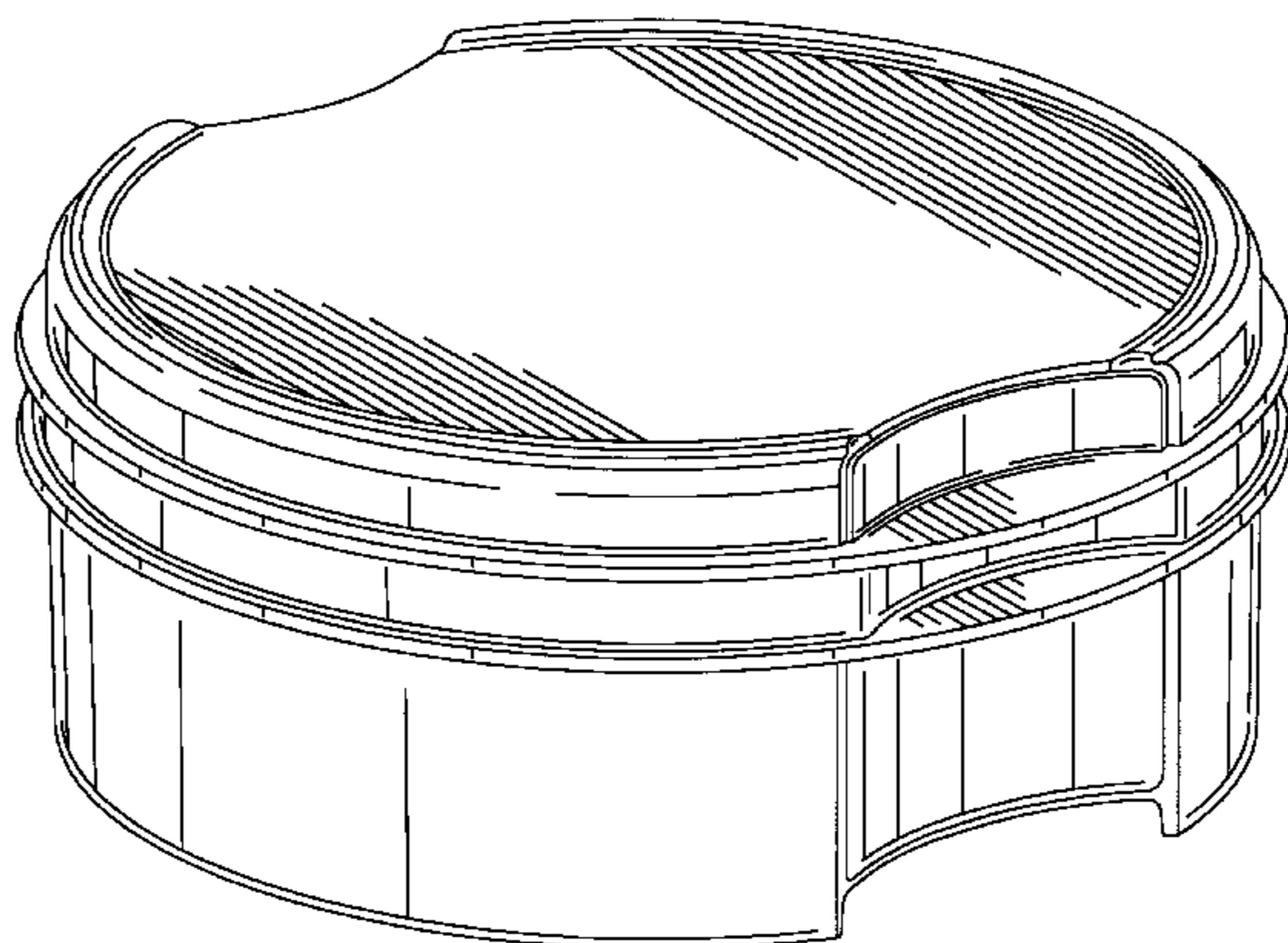
FIG. 12 is a left side elevation view thereof;

FIG. 13 is a top plan view thereof; and,

FIG. 14 is a bottom plan view thereof.

Primary Examiner—Terry A. Wallace

1 Claim, 9 Drawing Sheets



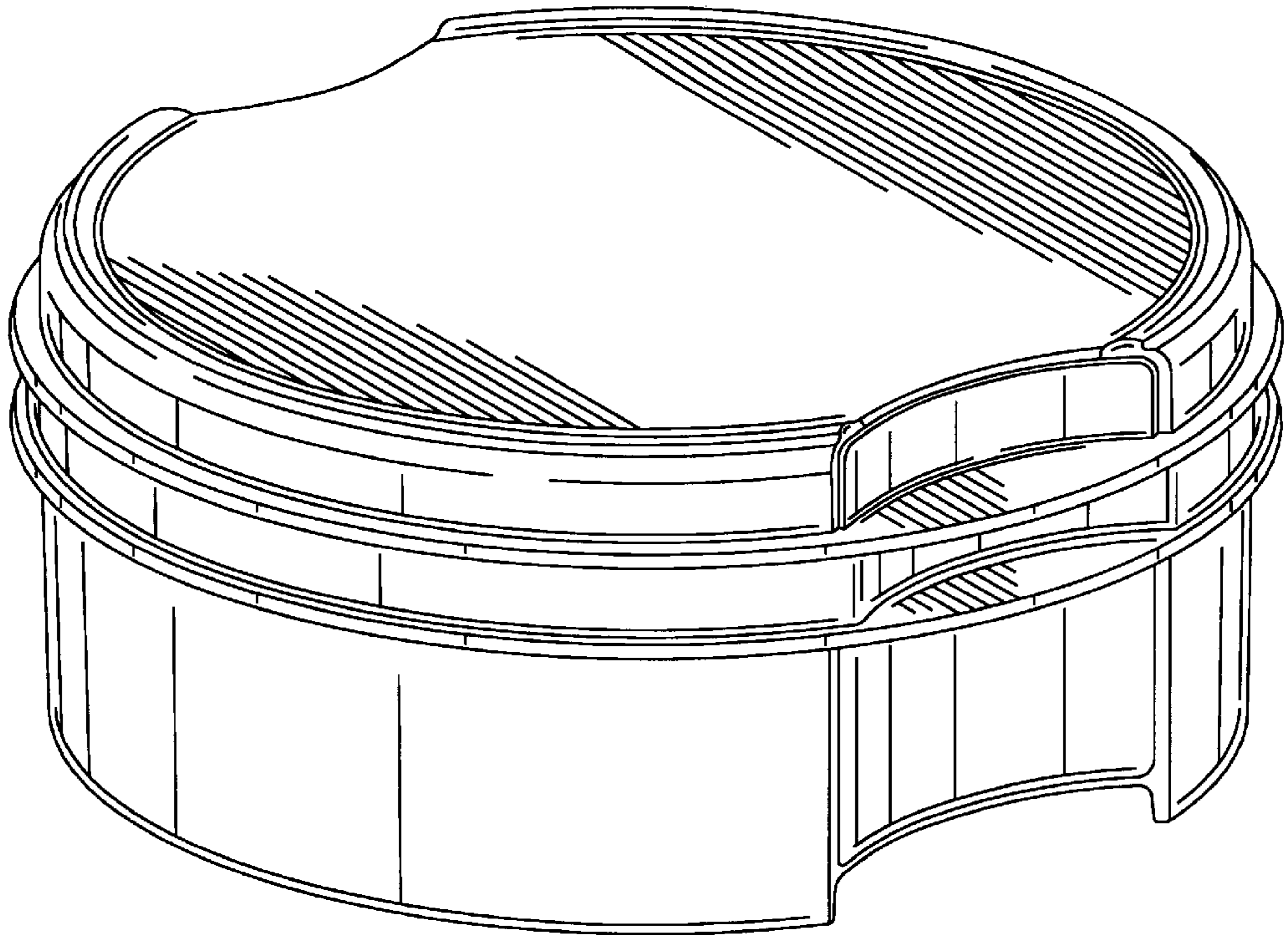


FIG. 1

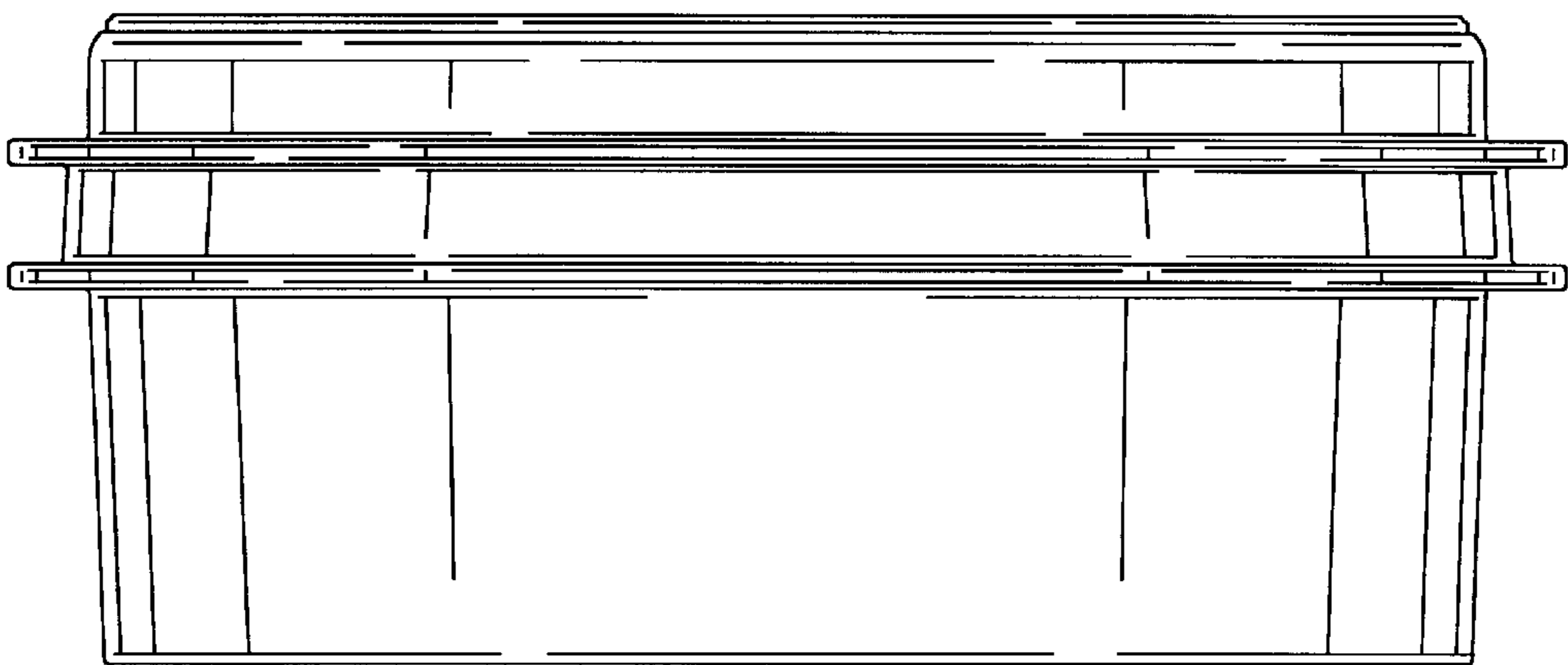


FIG. 2



FIG. 3

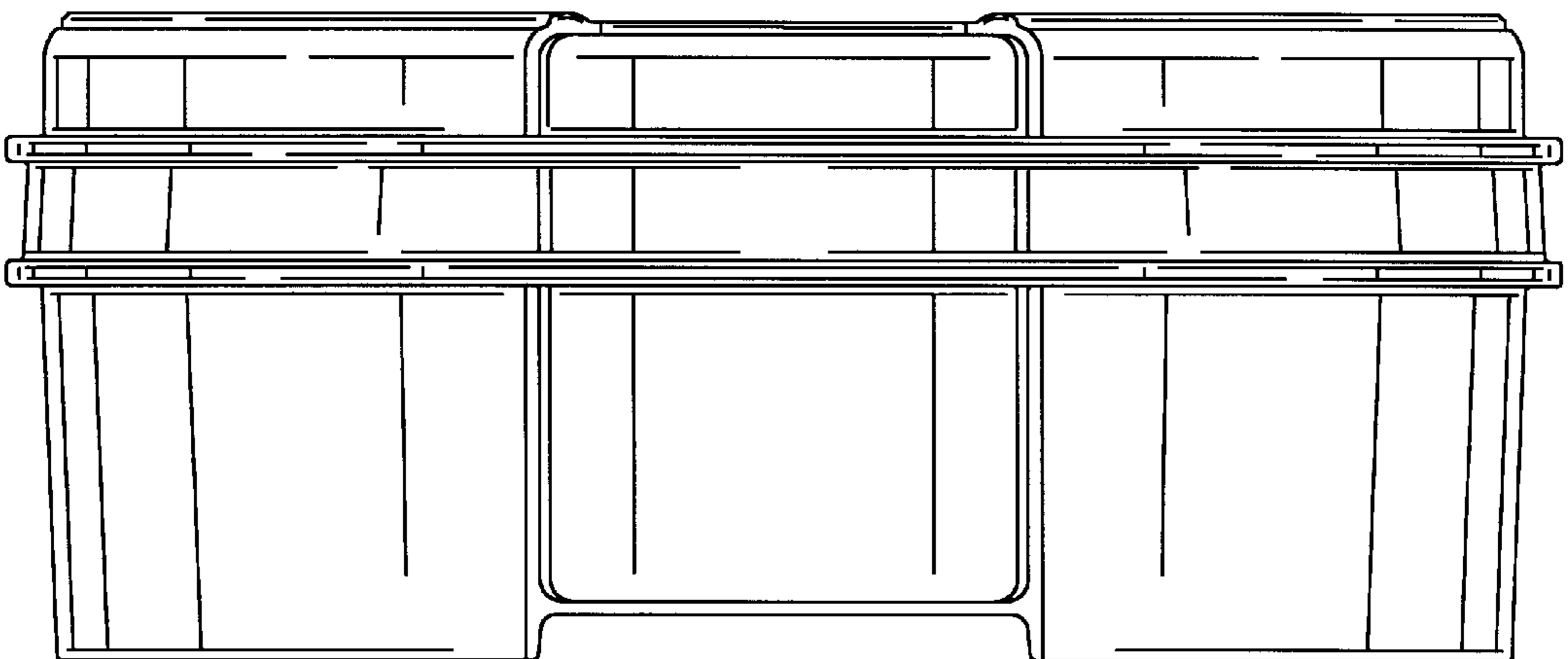


FIG. 4

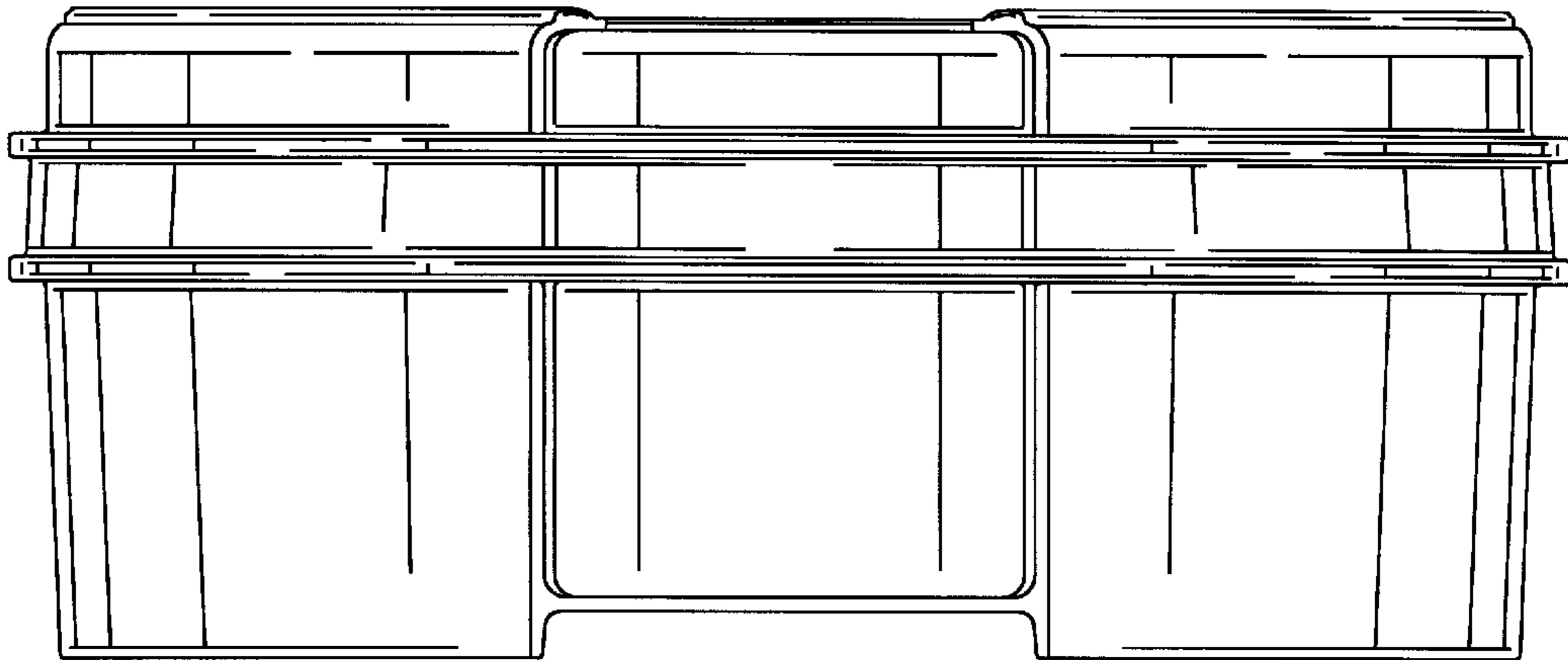


FIG. 5

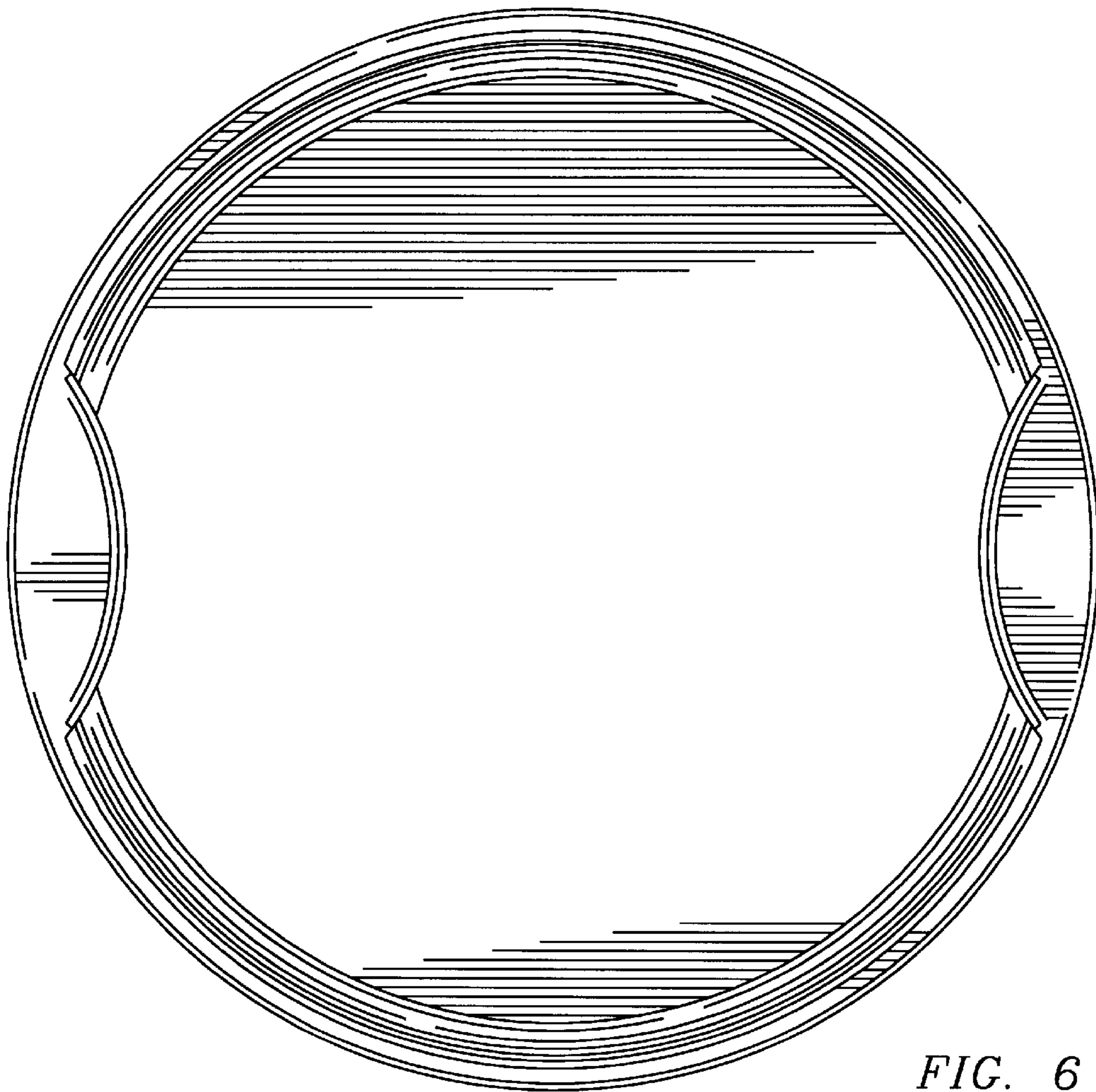


FIG. 6

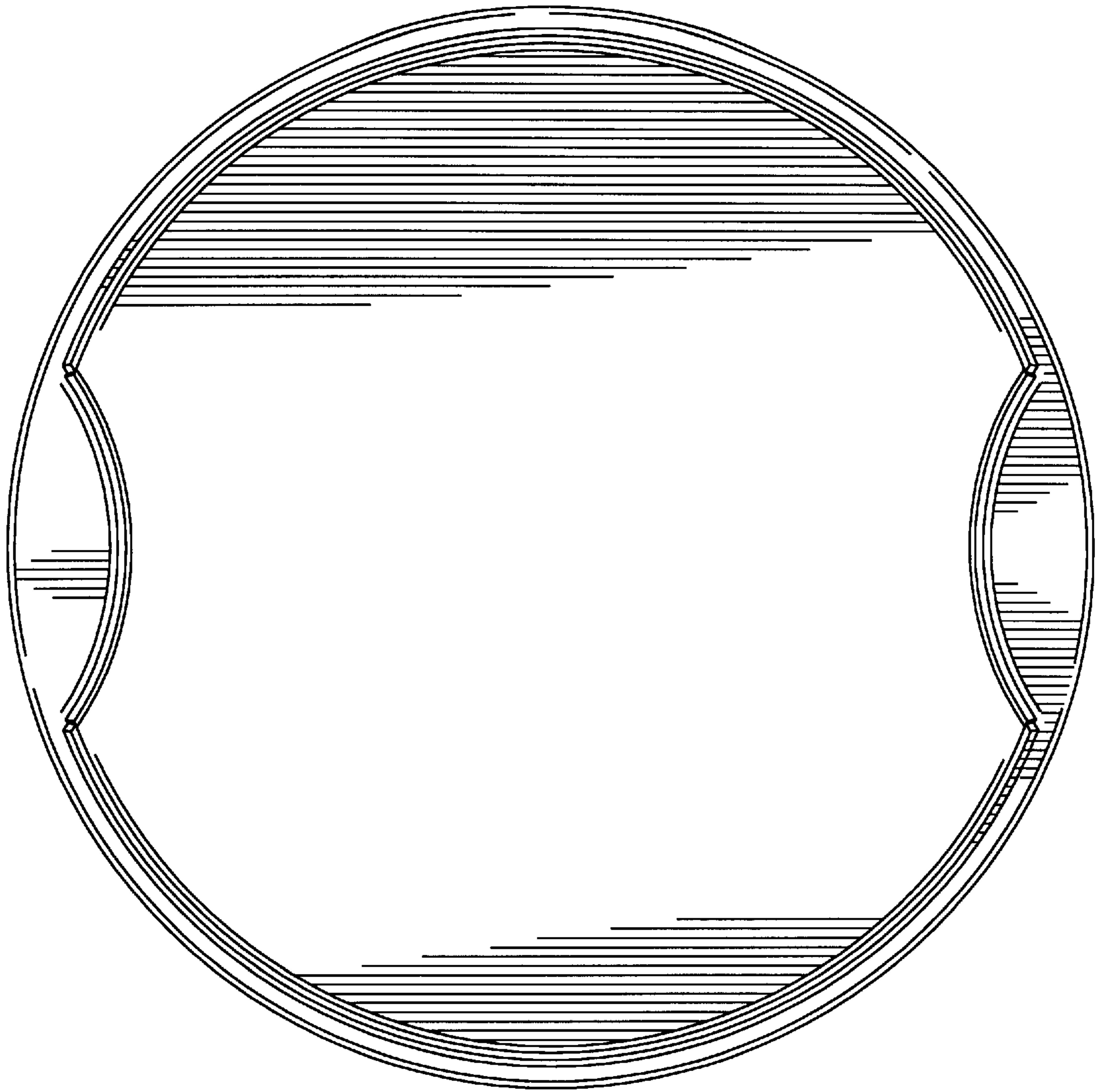


FIG. 7

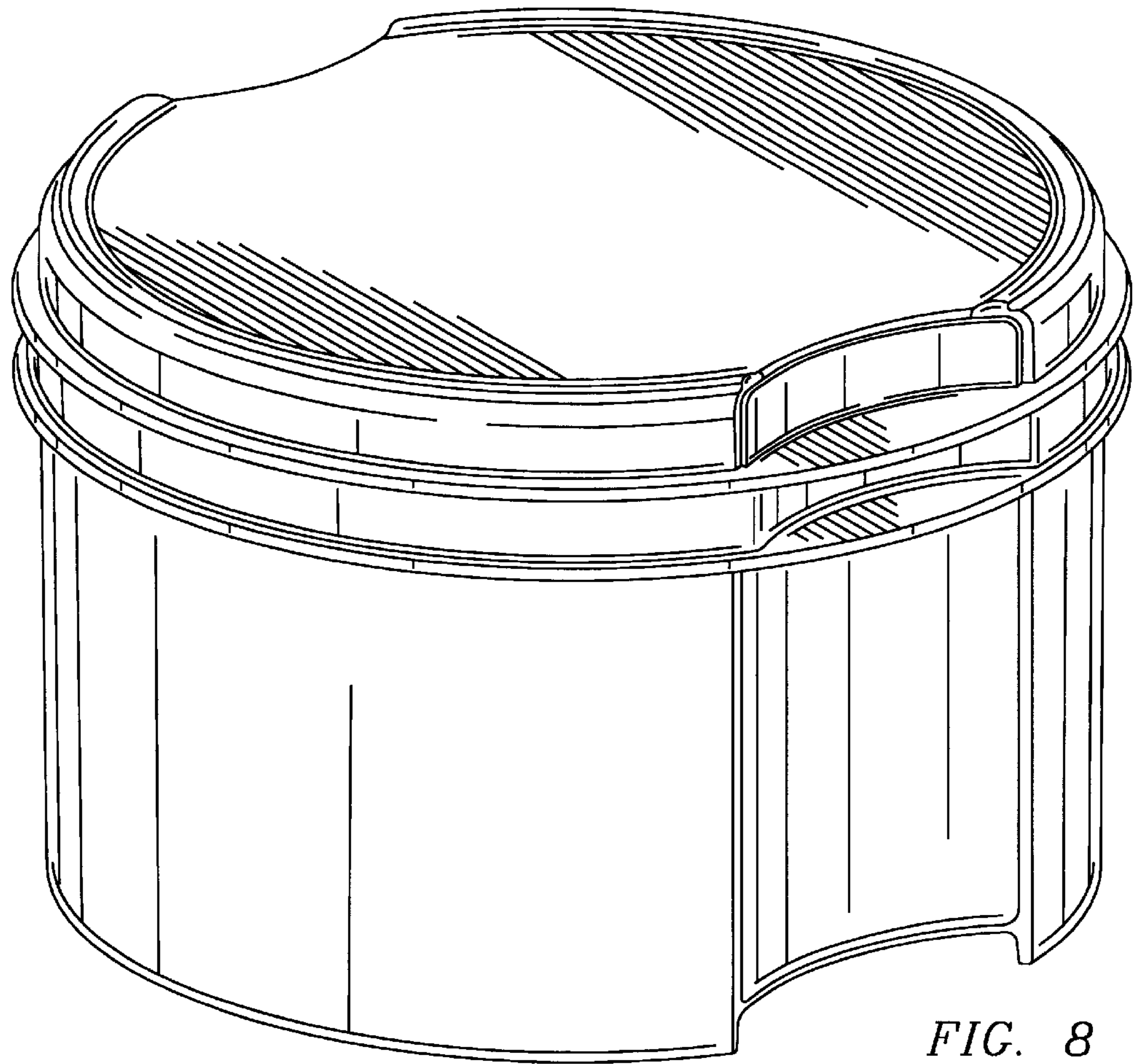


FIG. 8

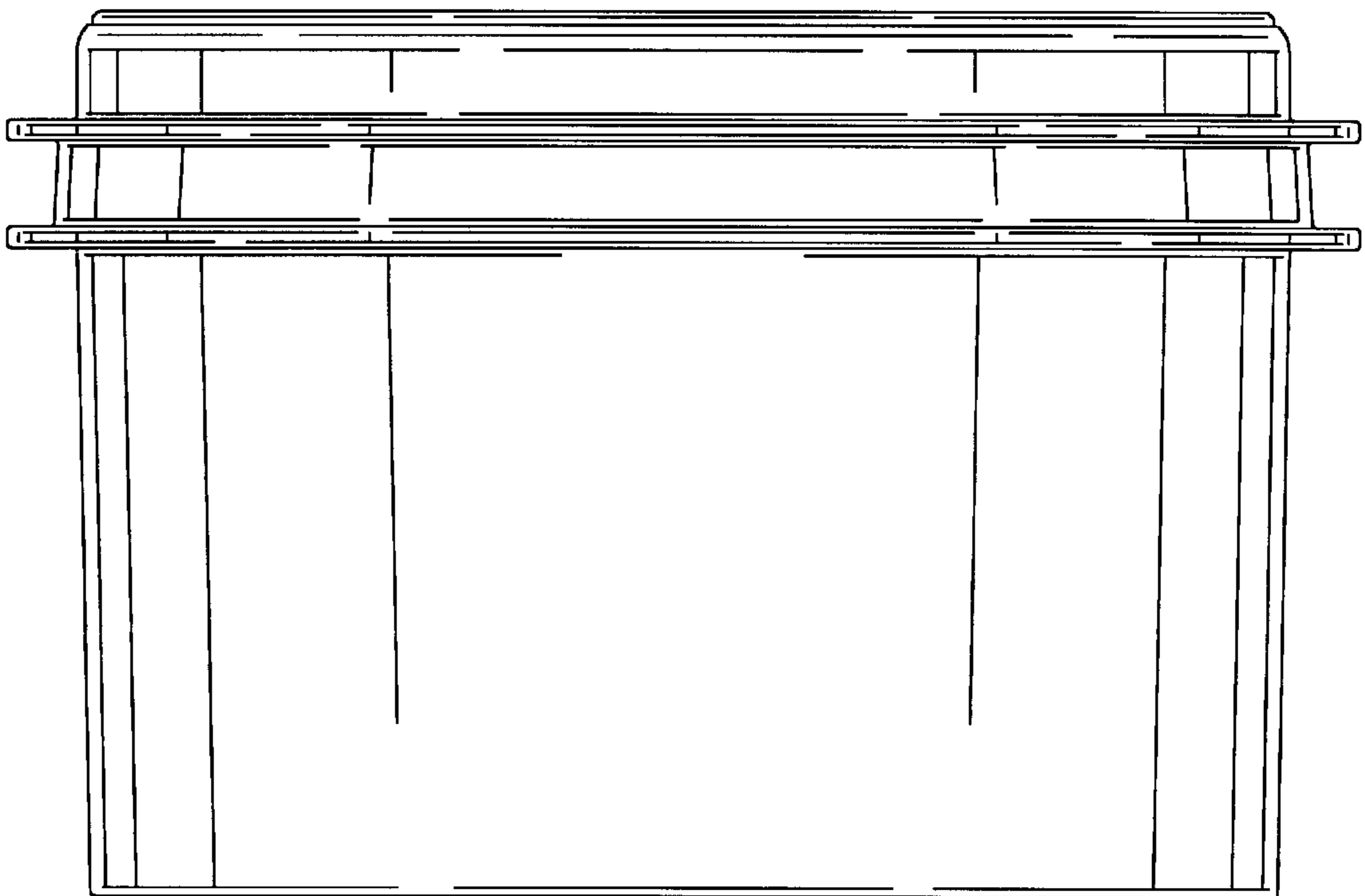


FIG. 9

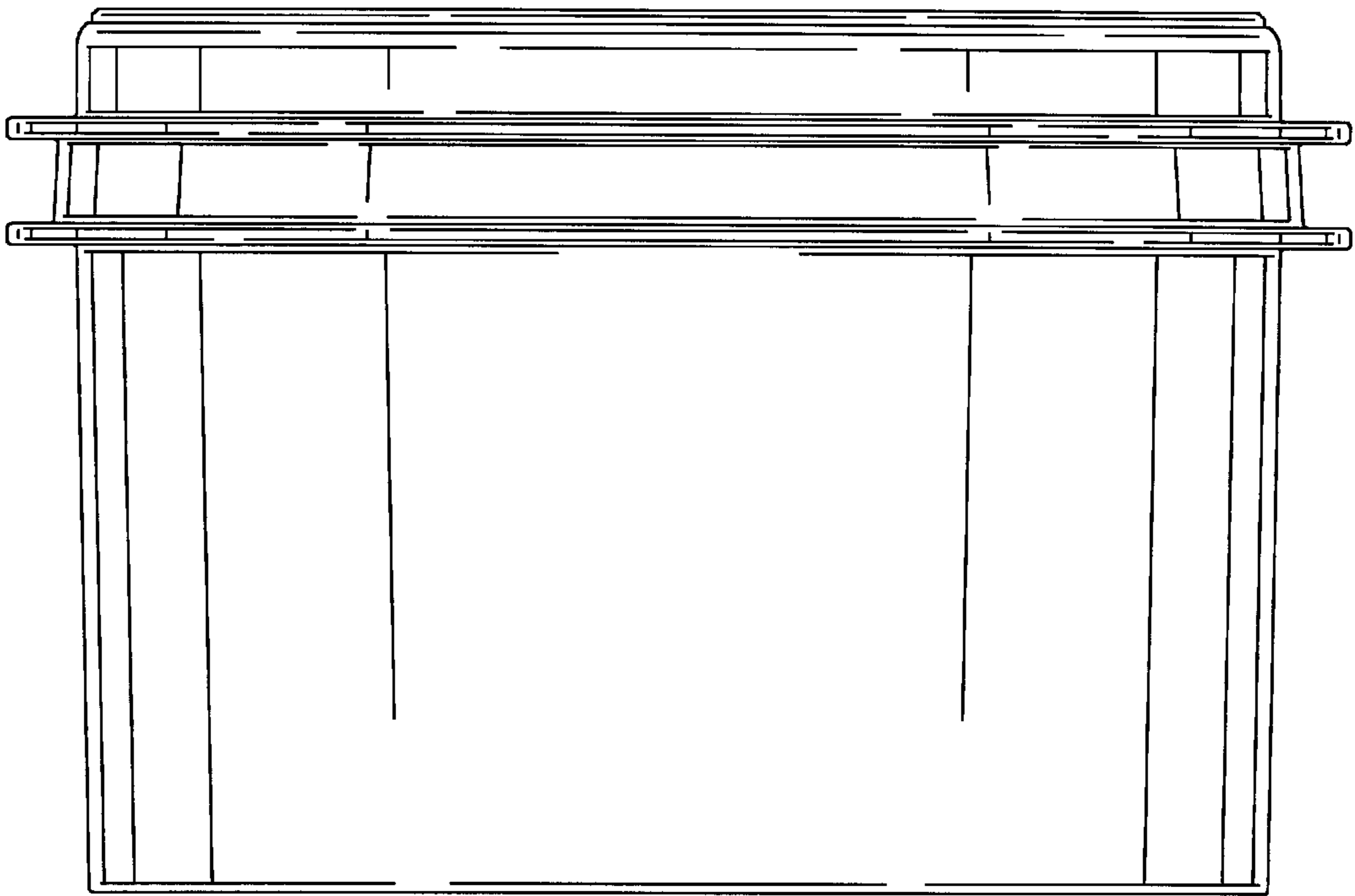


FIG. 10

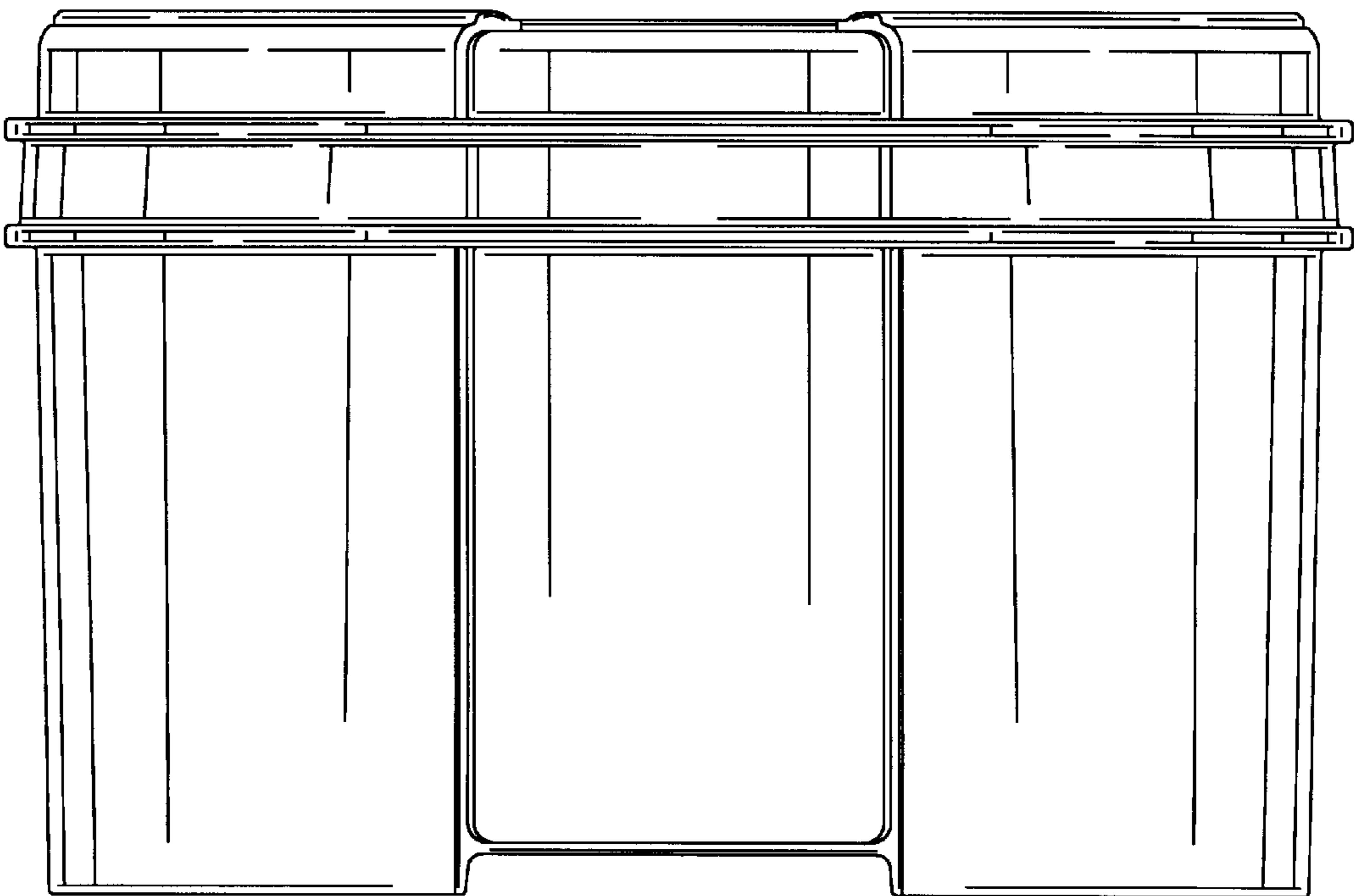


FIG. 11

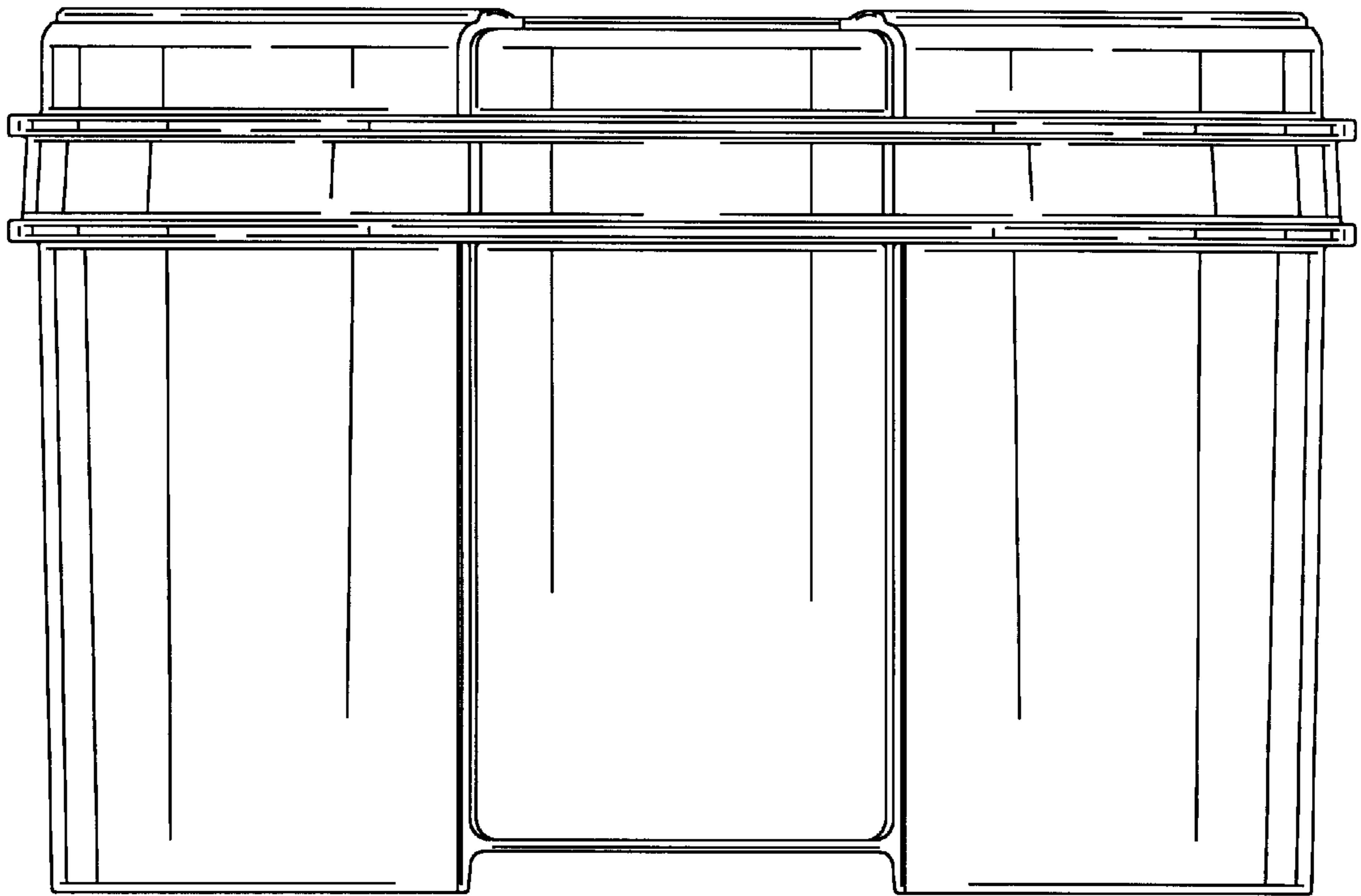


FIG. 12

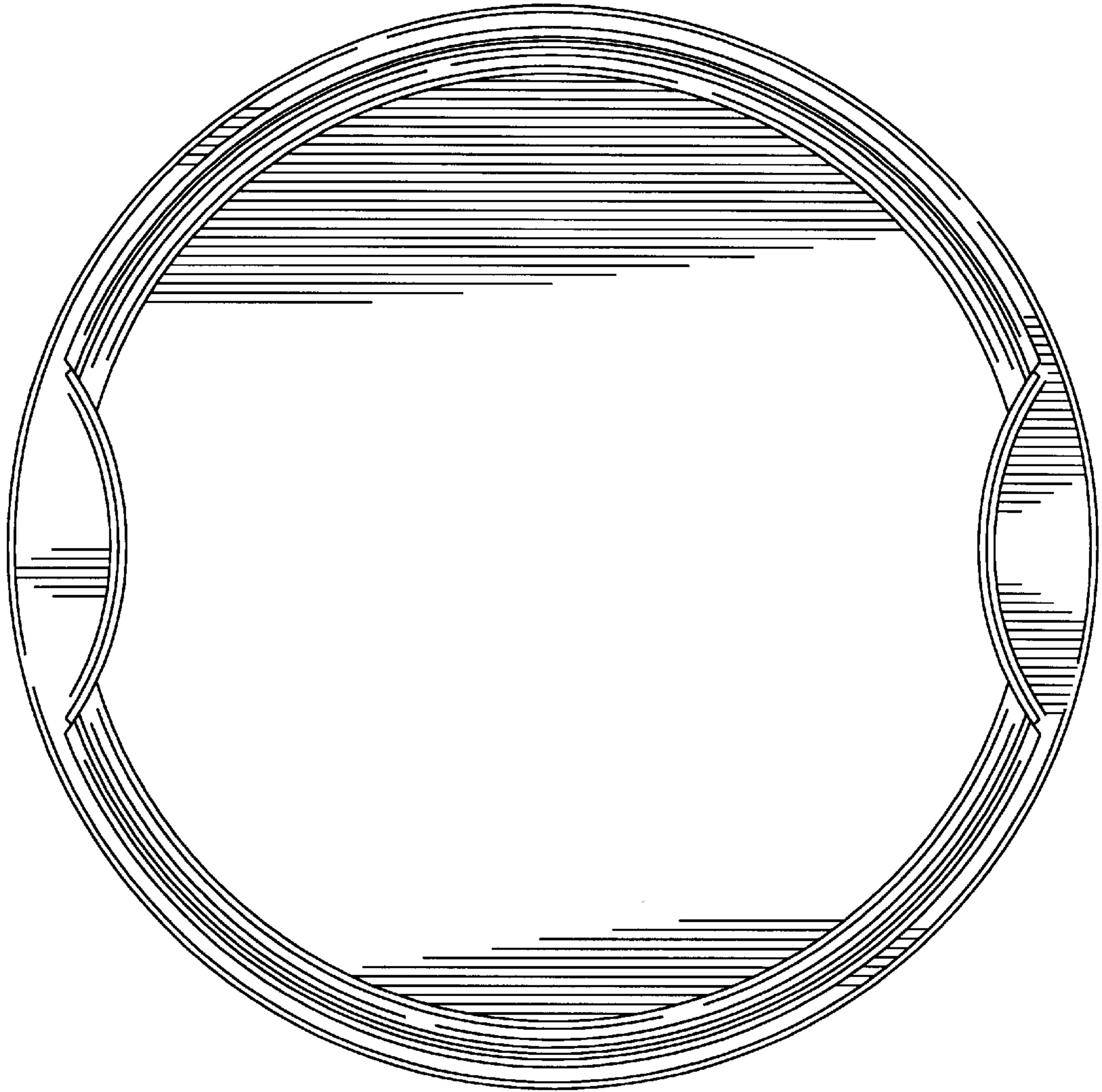


FIG. 13

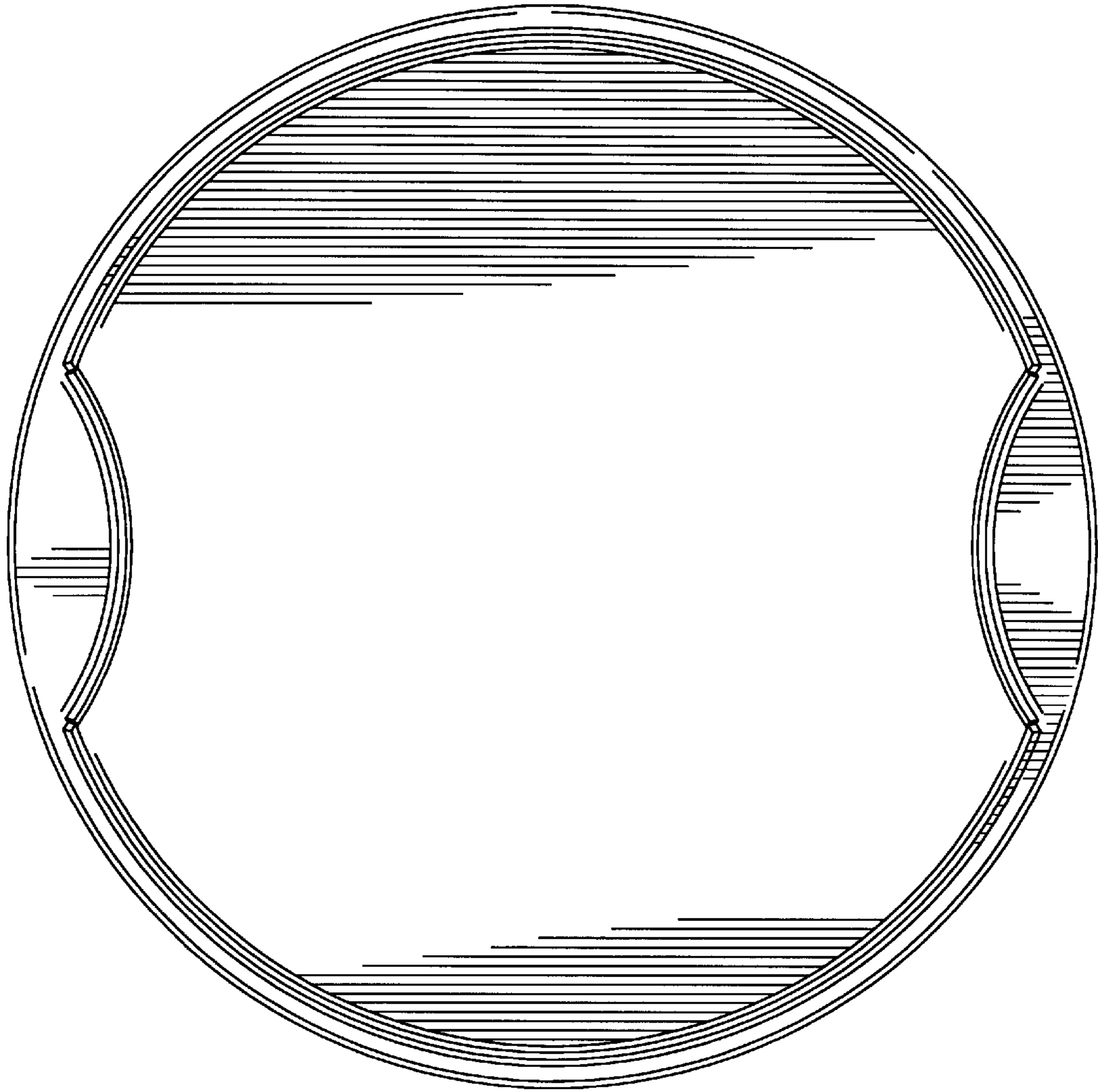


FIG. 14