



US00D422456S

**United States Patent** [19]  
**Krueger**

[11] **Patent Number: Des. 422,456**

[45] **Date of Patent: \*\* Apr. 11, 2000**

[54] **CUPCAKE HOLDER**

[76] Inventor: **Judith R Krueger**, 1125 S. Braintree Dr., Schaumburg, Ill. 60193

[\*\*] Term: **14 Years**

[21] Appl. No.: **29/102,845**

[22] Filed: **Apr. 1, 1999**

[51] **LOC (6) Cl.** ..... **07-06**

[52] **U.S. Cl.** ..... **D7/610**

[58] **Field of Search** ..... D7/601, 610; D6/469, D6/472; 206/45.34, 457; 211/126.2, 128; 220/23.8, 23.83, 318, 505

[56] **References Cited**

**U.S. PATENT DOCUMENTS**

- D. 348,378 7/1994 Crane ..... D7/610
- D. 400,055 10/1998 Mc Fadzean ..... D7/610
- 5,413,801 5/1995 McLlain ..... 211/128 X

*Primary Examiner*—Terry A. Wallace

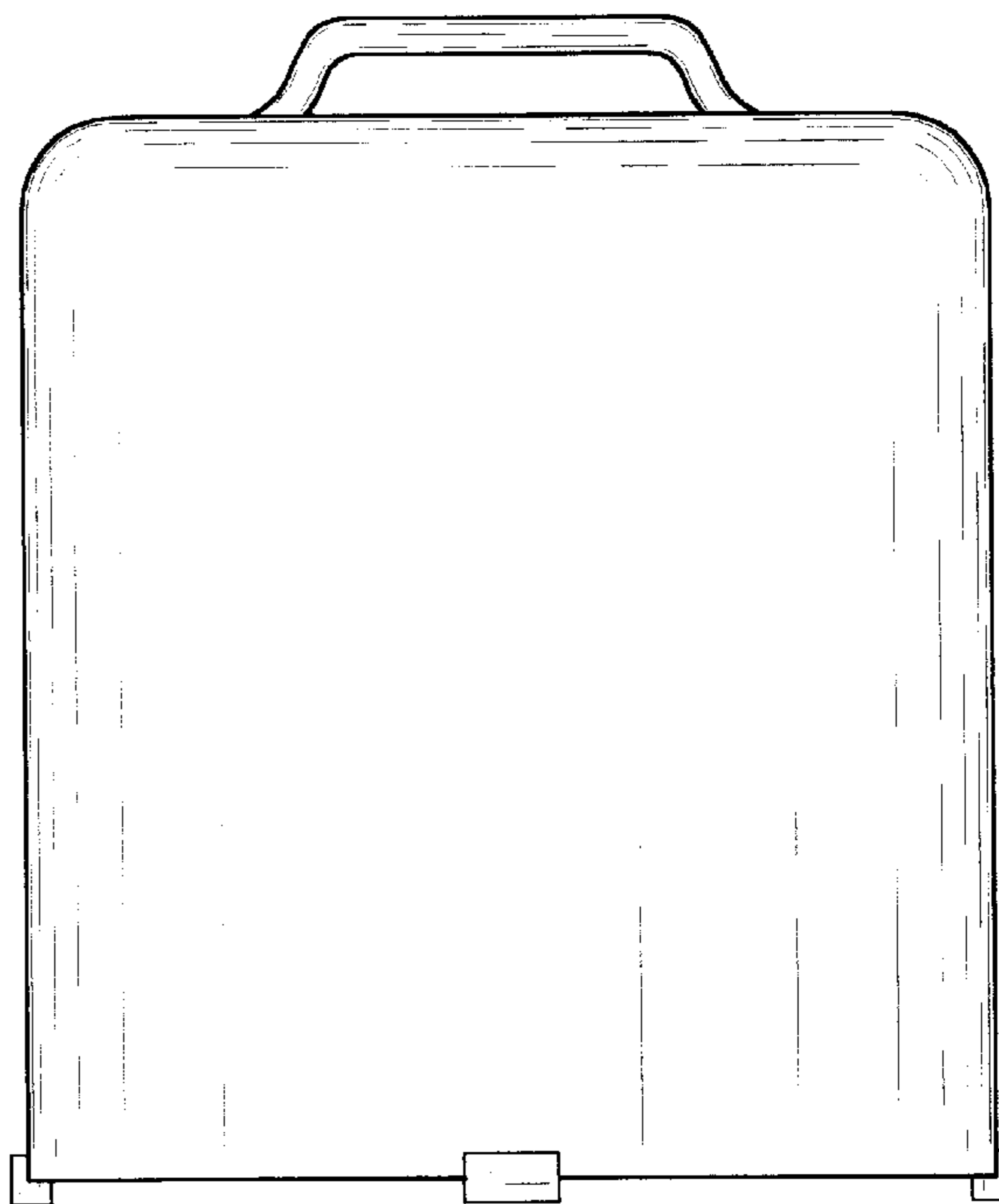
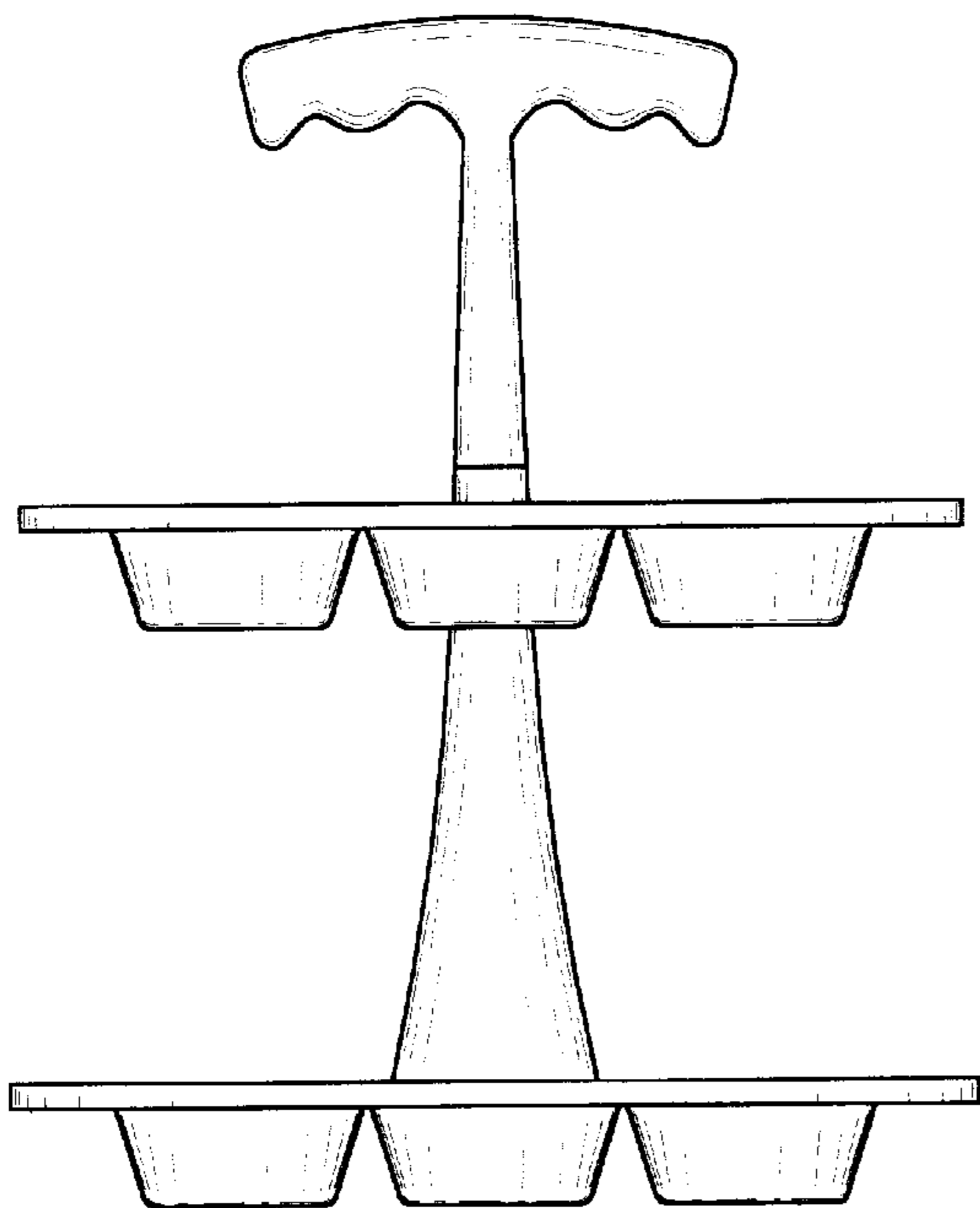
[57] **CLAIM**

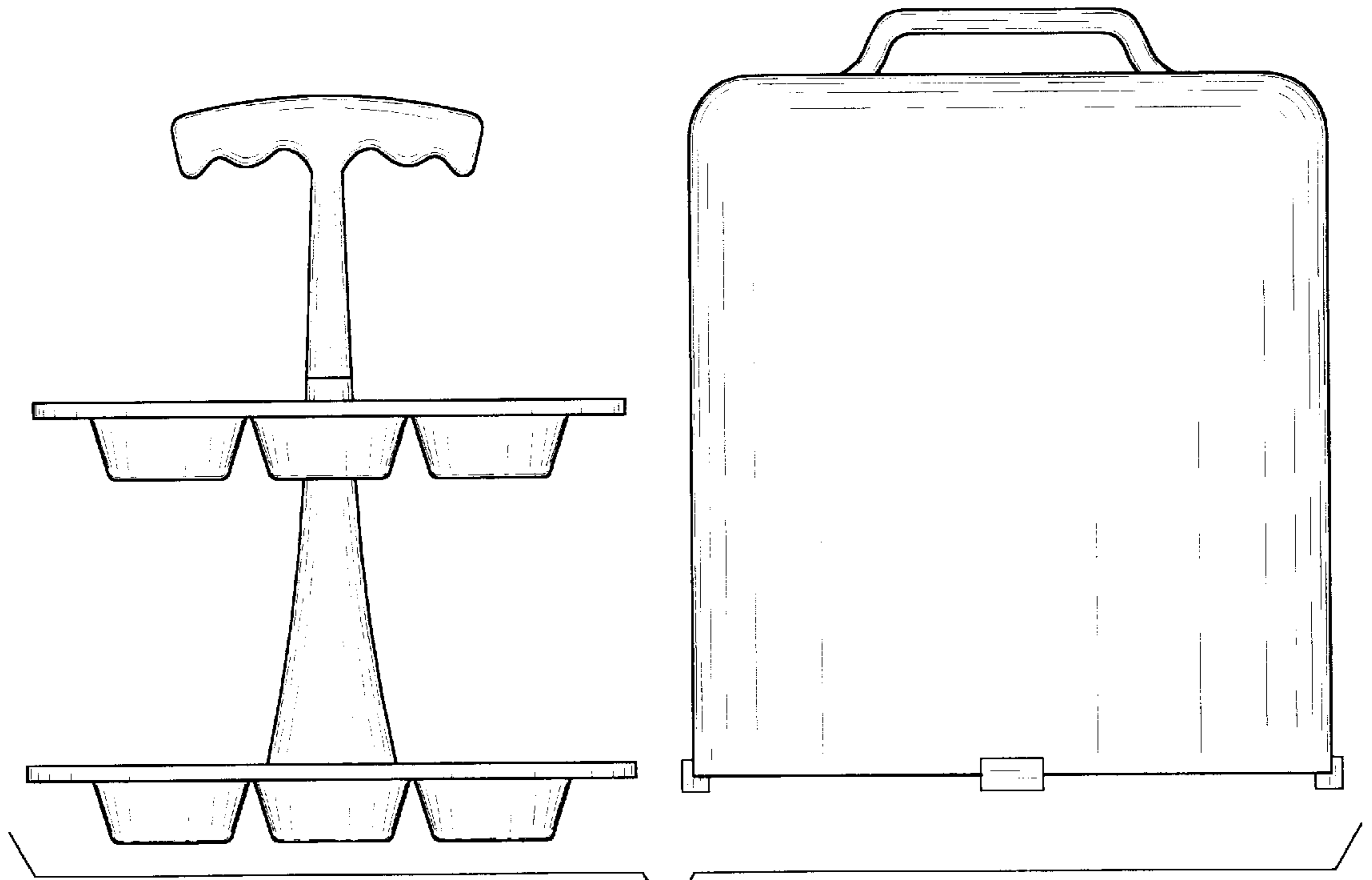
The ornamental design for a cupcake holder, as shown.

**DESCRIPTION**

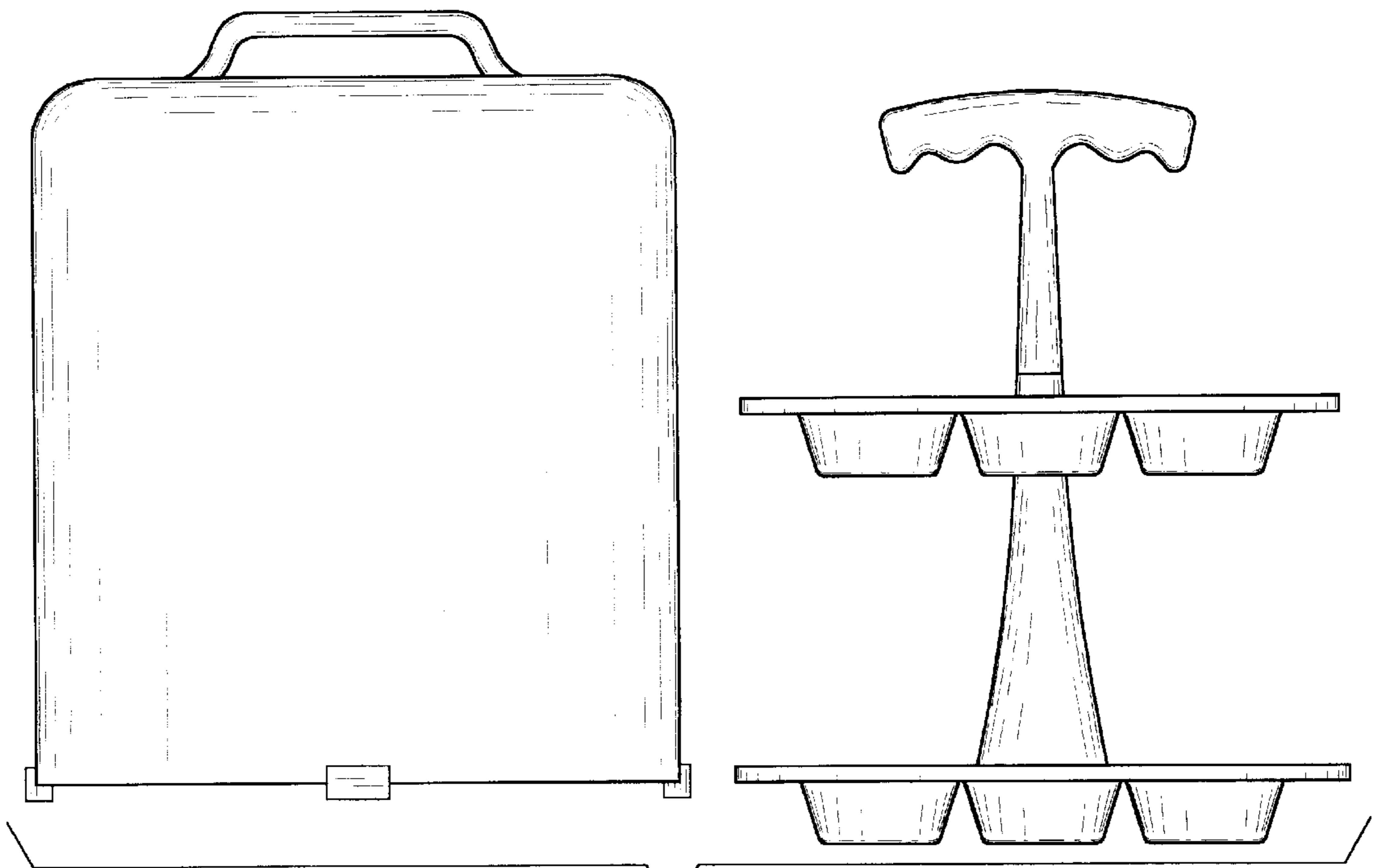
FIG. 1 is a front elevational view of the cupcake holder of the present invention;  
 FIG. 2 is a back elevational view of the cupcake holder of FIG. 1;  
 FIG. 3 is a left side elevational view of the cupcake holder of FIG. 1;  
 FIG. 4 is a right side elevational view of the cupcake holder of FIG. 1;  
 FIG. 5 is a top plan view of the cupcake holder of FIG. 1; and,  
 FIG. 6 is a bottom plan view of the cupcake holder of FIG. 1.

**1 Claim, 3 Drawing Sheets**

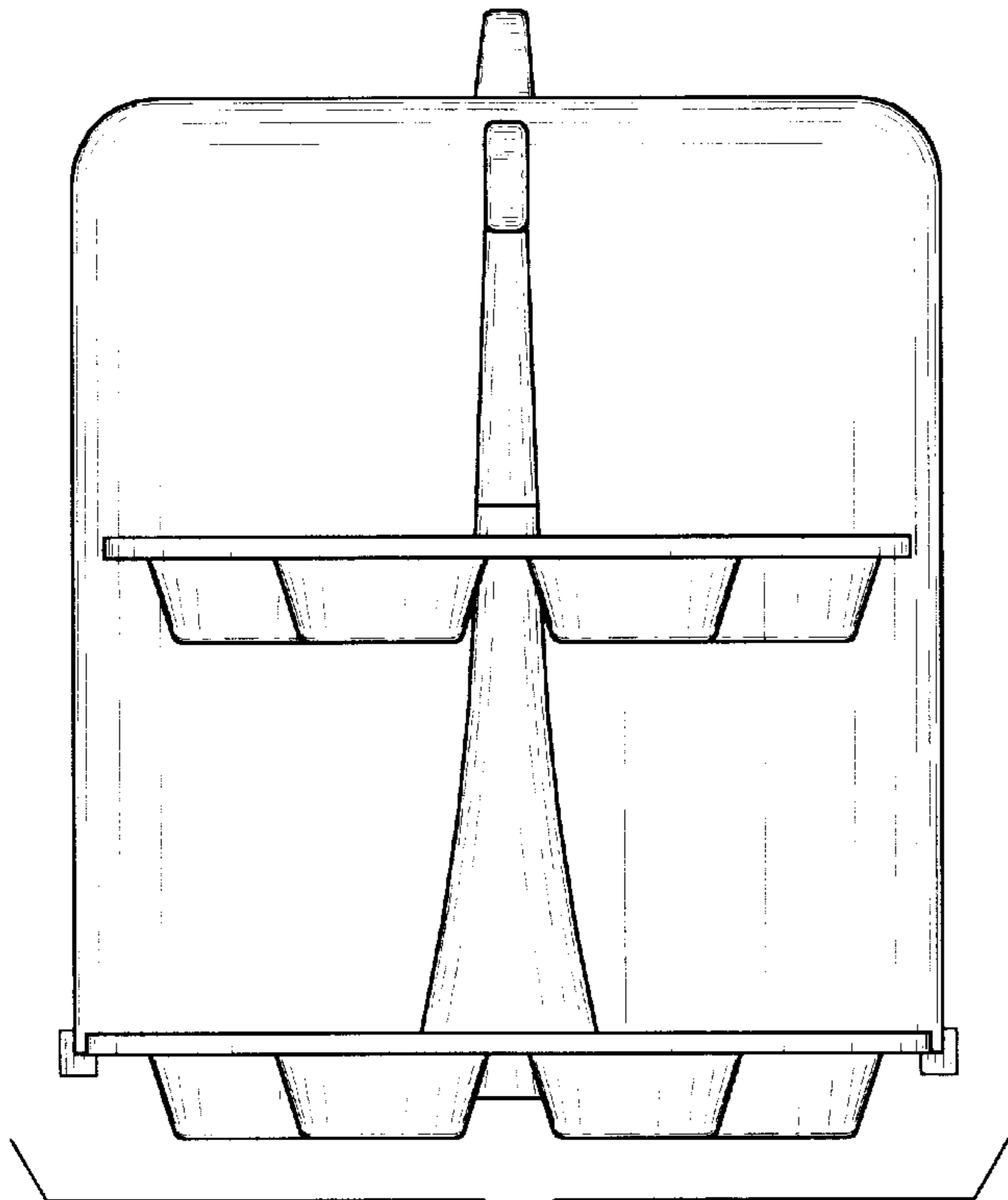




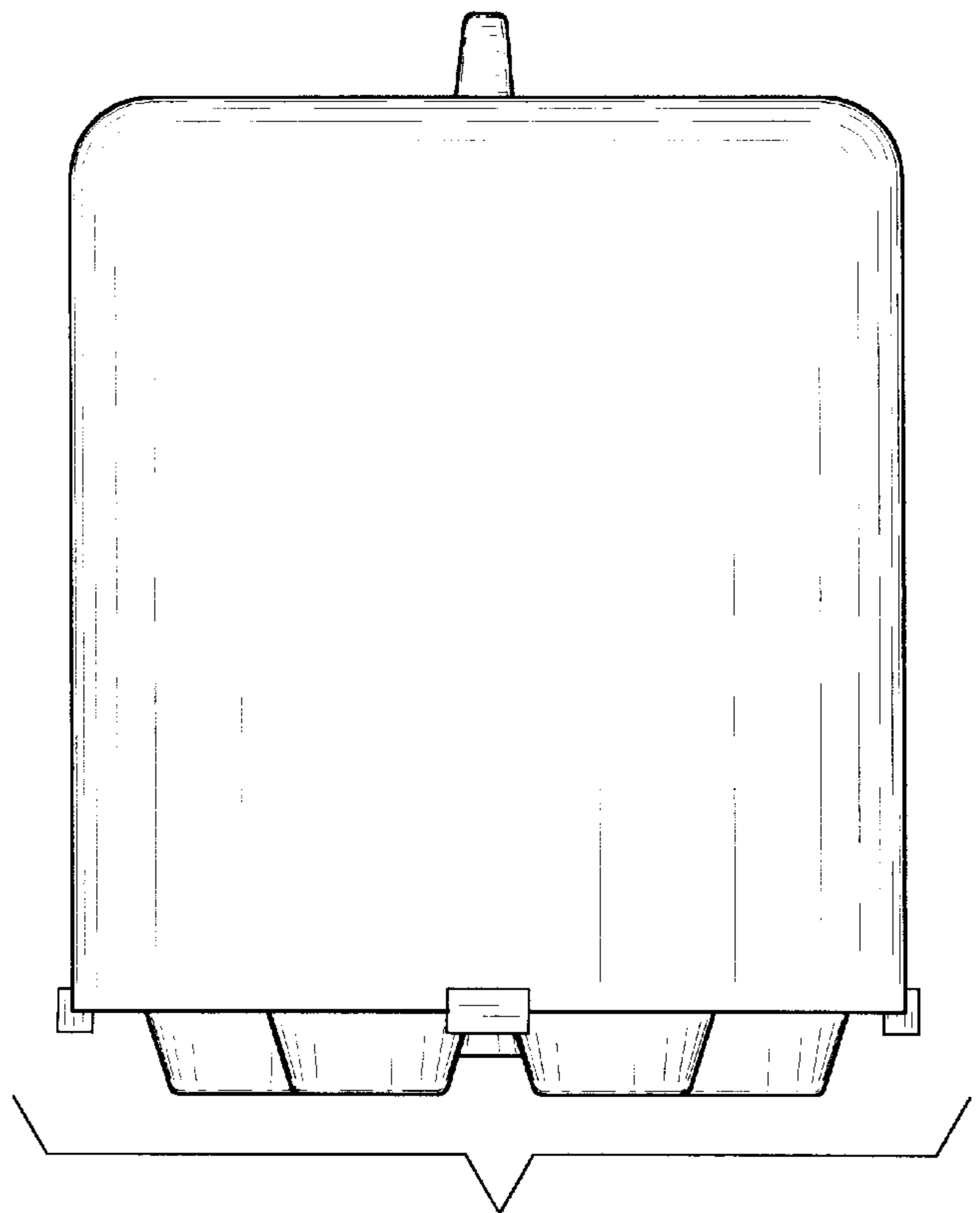
*Fig. 1*



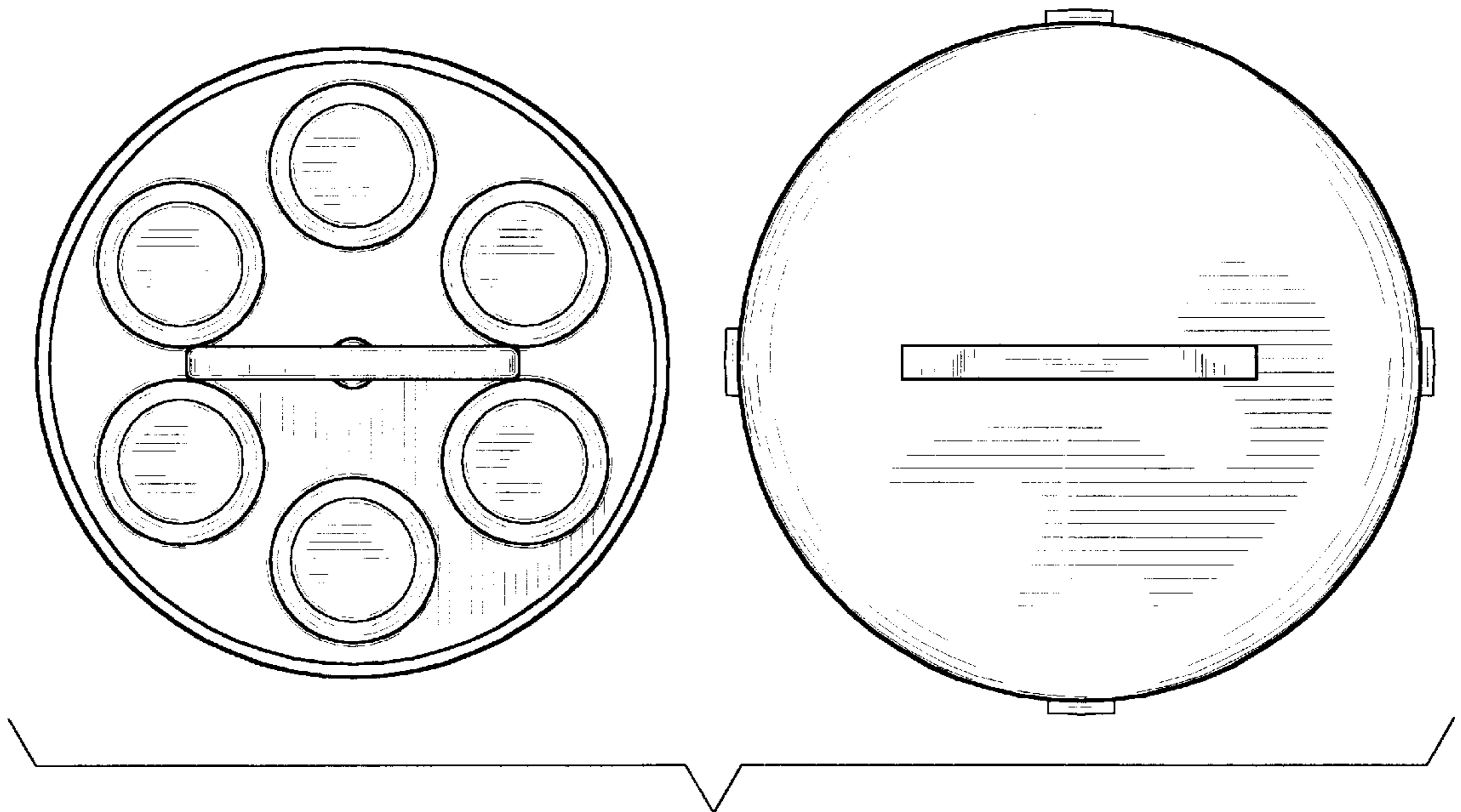
*Fig. 2*



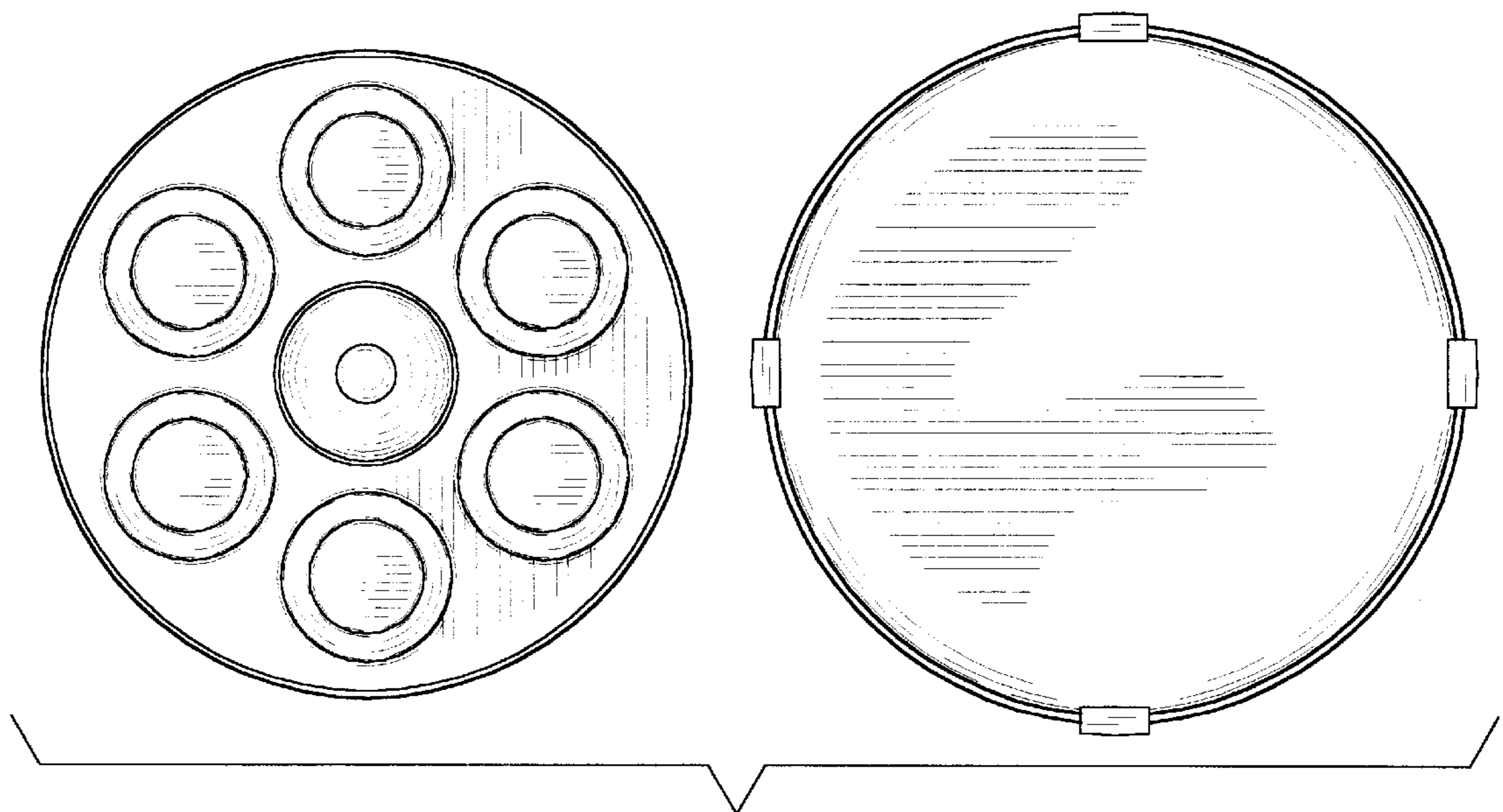
*Fig. 3*



*Fig. 4*



*Fig. 5*



*Fig. 6*