



US00D422453S

# United States Patent [19]

Klein et al.

[11] Patent Number: Des. 422,453

[45] Date of Patent: \*\* Apr. 11, 2000

[54] **RETAINER FOR A CONTAINER**

[75] Inventors: **Raymond H. Klein**, Milwaukee; **Scott H. Micoley**, Cedarburg, both of Wis.; **T. Brent Freese**, Gurnee, Ill.

[73] Assignee: **Outer Circle Products, Ltd.**, Chicago, Ill.

[\*\*] Term: **14 Years**

[21] Appl. No.: **29/095,506**

[22] Filed: **Oct. 23, 1998**

[51] **LOC (6) Cl.** ..... **07-07**

[52] **U.S. Cl.** ..... **D7/605**

[58] **Field of Search** ..... D7/605, 607, 709, D7/710; D3/273, 276, 283, 318; 62/457.1, 457.7, 371; 150/107, 118, 119; 190/100, 109, 112; 220/592.2, 915.1, 915.2

[56] **References Cited**

**PUBLICATIONS**

“1999 Igloo Product Catalog and Price List” Copyright 1998, p. 44.

*Primary Examiner*—Terry A. Wallace

*Attorney, Agent, or Firm*—McDonnell Boehnen Hulbert & Berghoff

[57] **CLAIM**

The ornamental design for a retainer for a container, as shown and described.

**DESCRIPTION**

FIG. 1 is a partial fragmentary top, right, front perspective view of the retainer for a container the portion of the figure shown in broken line forming no part of the claimed design;

FIG. 2 is a front elevational view thereof;

FIG. 3 is a left side elevational view thereof, the right side elevational view being a mirror image thereof; and

FIG. 4 is a top plan view thereof; and,

FIG. 5 is a cross-sectional side elevational view taken along line 5—5 in FIG. 2 to further illustrate the design of the retainer for a container as claimed.

**1 Claim, 3 Drawing Sheets**

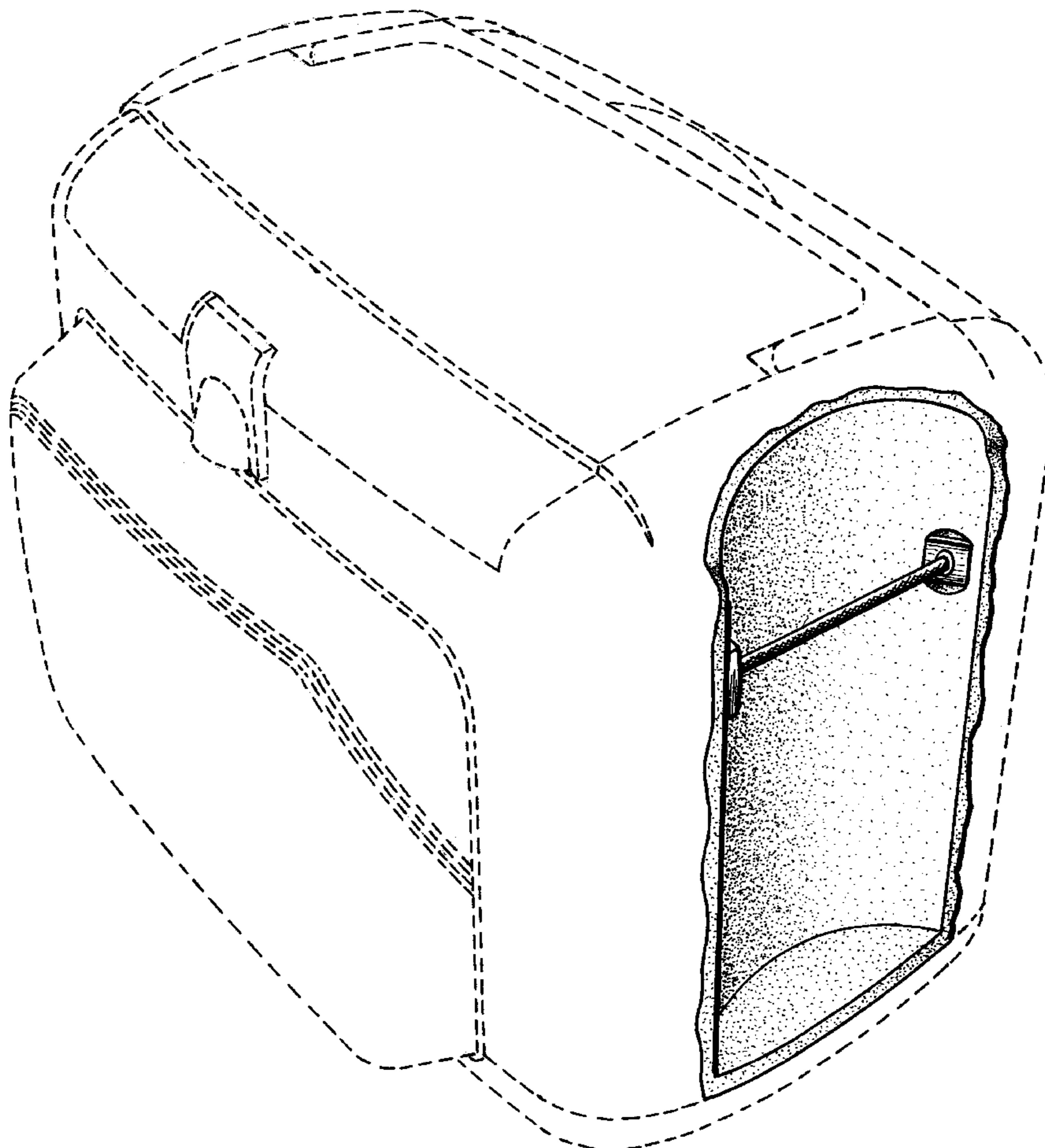


FIG. 1

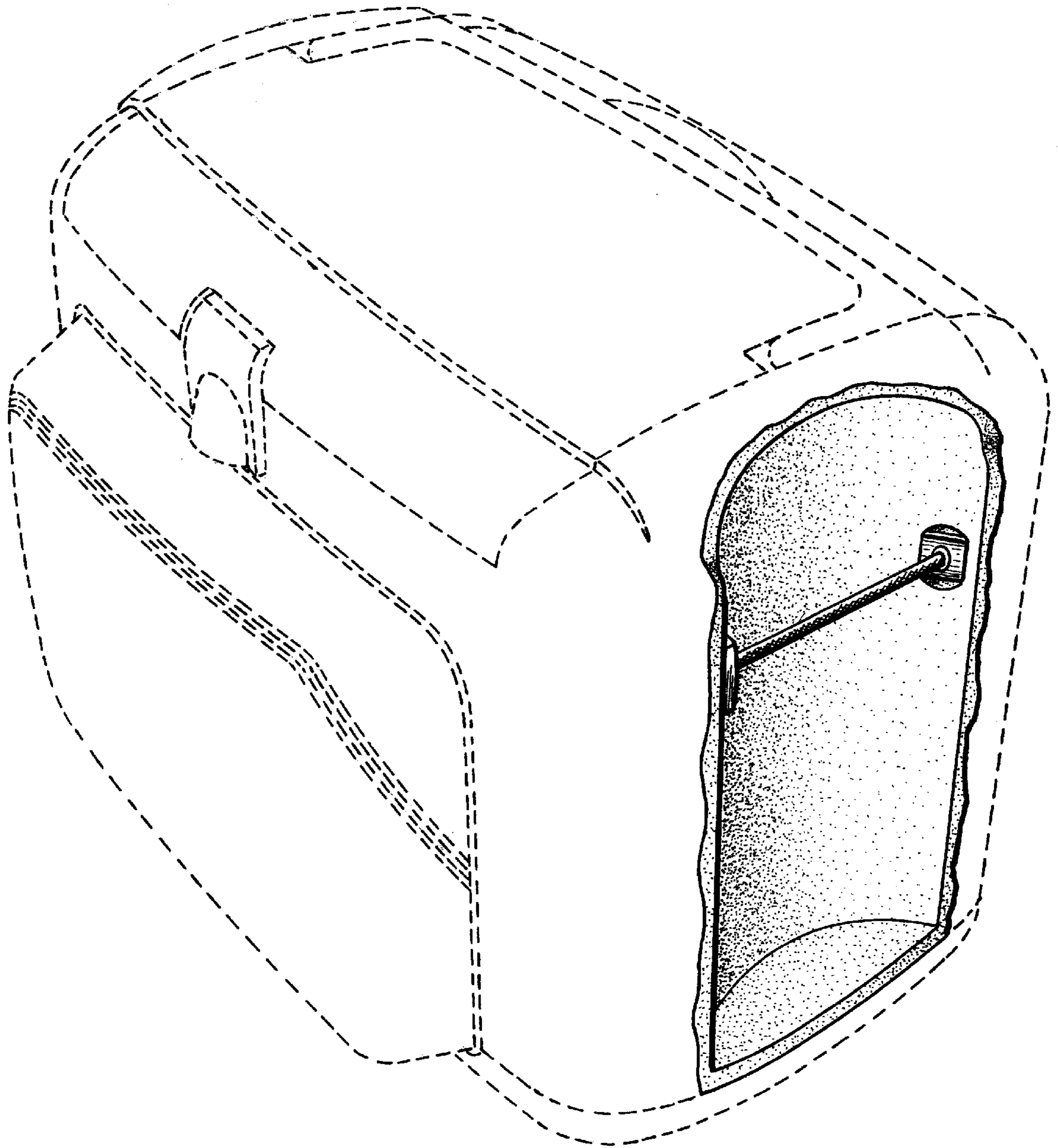


FIG.2

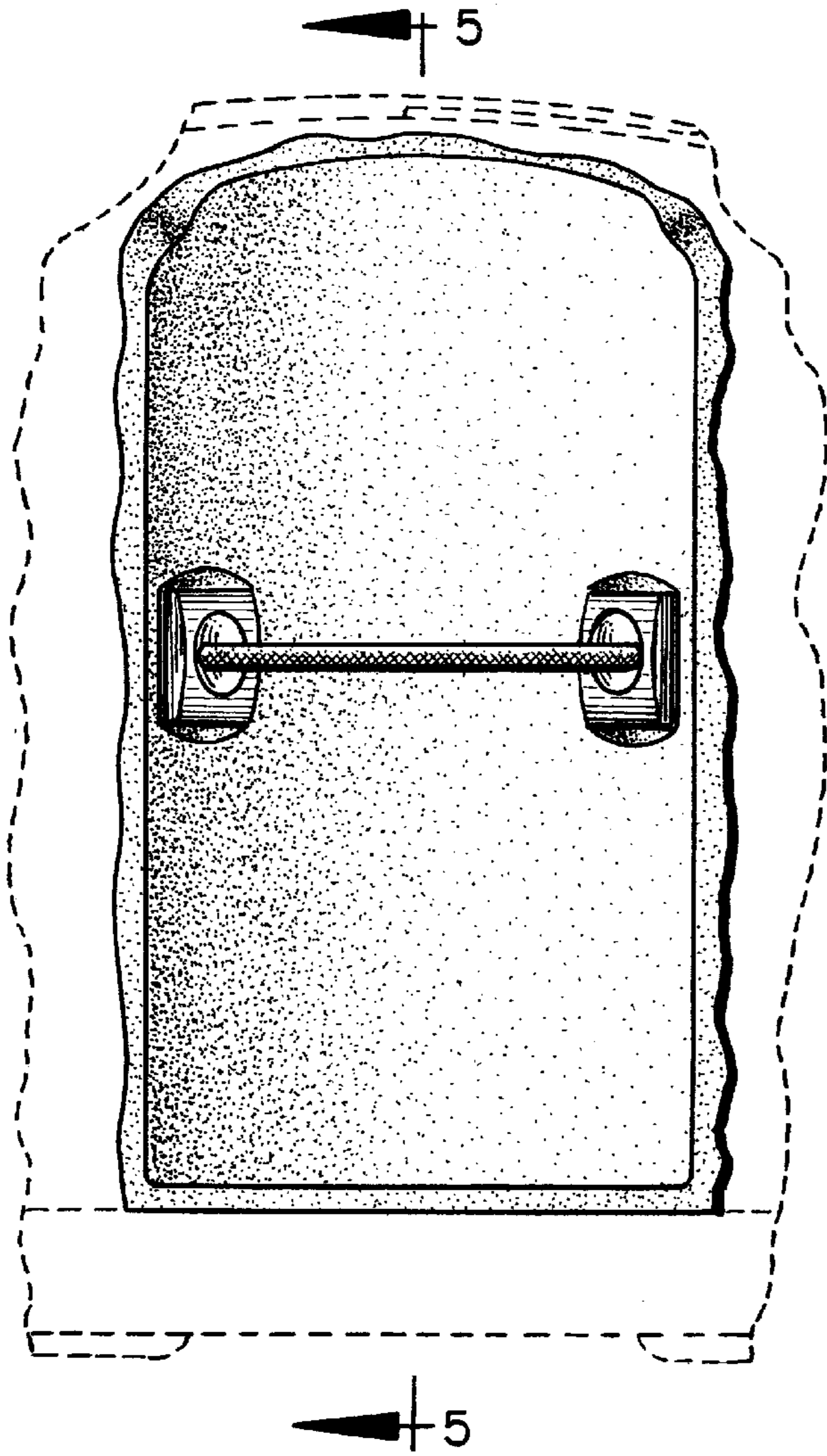


FIG.3

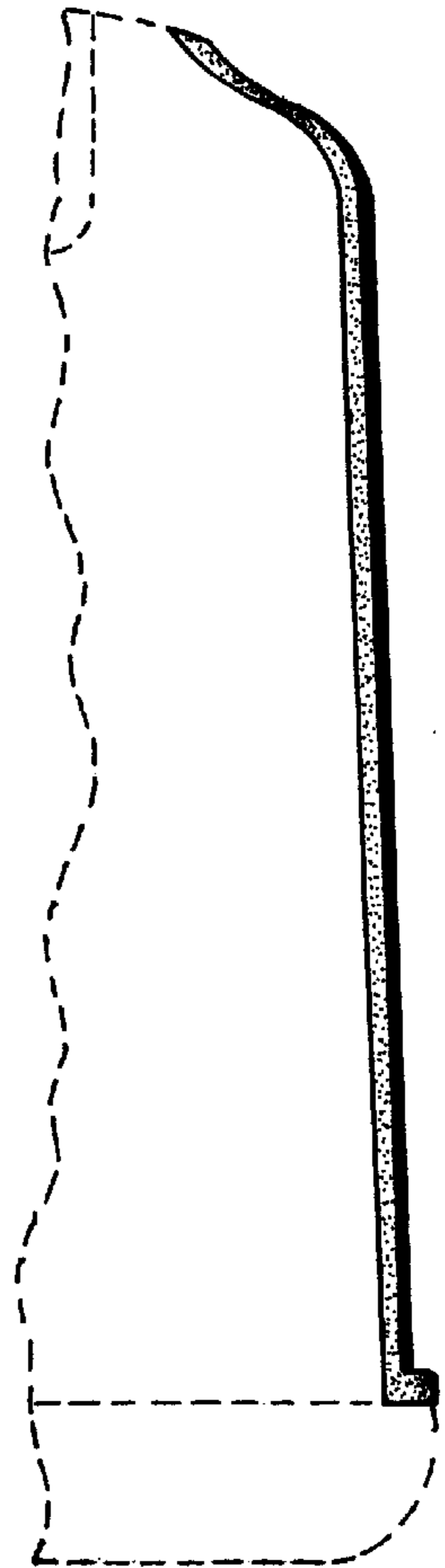


FIG.4

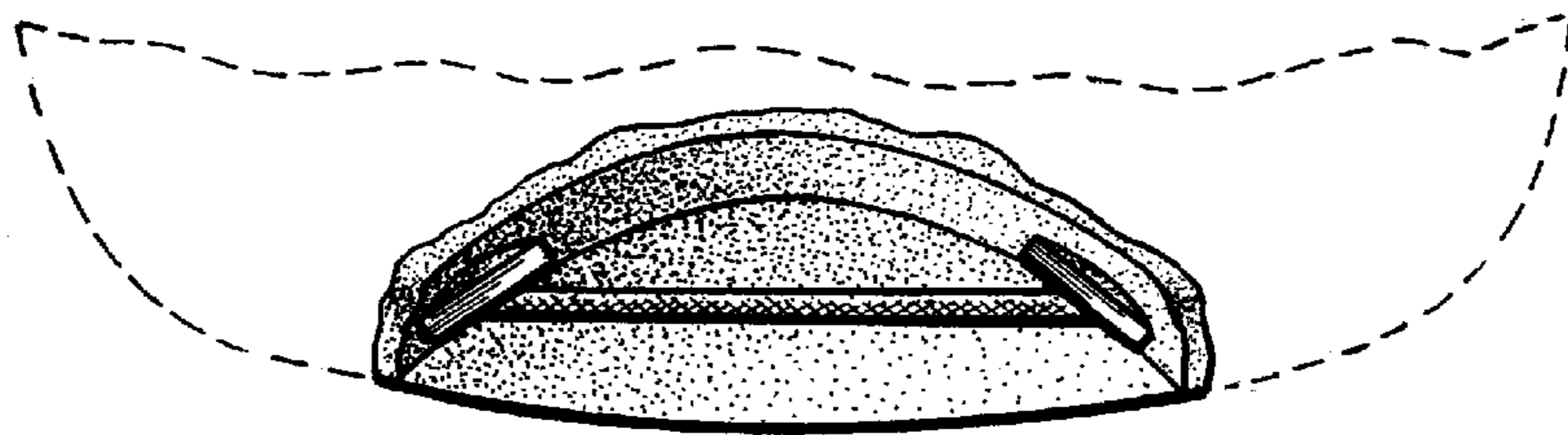


FIG. 5

