



US00D422452S

United States Patent [19]
Persson

[11] **Patent Number: Des. 422,452**

[45] **Date of Patent: ** Apr. 11, 2000**

[54] **CUP FOR AN OPEN AIR STOVE**

[75] Inventor: **Jerker Persson**, Göteborg, Sweden

[73] Assignee: **Primus AB**, Solna, Sweden

[**] Term: **14 Years**

[21] Appl. No.: **29/082,098**

[22] Filed: **Jan. 14, 1998**

[30] **Foreign Application Priority Data**

Jul. 14, 1997 [SE] Sweden 97-1611

[51] **LOC (6) Cl.** **07-02**

[52] **U.S. Cl.** **D7/402; D7/332**

[58] **Field of Search** D7/339-349, 402-409,
D7/337; 126/9 B, 9 R, 25 R, 29-30, 38,
39 E, 40, 41 R, 39 R, 44; 431/247

D. 229,277 11/1973 Ming-Kong D7/337

D. 246,151 10/1977 Chan D7/337

D. 249,448 9/1978 Vache D7/337

5,370,527 12/1994 Hefling et al. 431/247

5,513,624 5/1996 Vorhis 126/38

5,704,777 1/1998 Measom 431/329

Primary Examiner—Ruth McInroy
Attorney, Agent, or Firm—Banner & Witcoff, Ltd.

[57] **CLAIM**

The ornamental design for a cup for an open air stove, as shown and described.

DESCRIPTION

FIG. 1 is a top perspective view of a cup for an open air stove showing my new design; and,
FIG. 2 is a bottom perspective view of the cup for open air stove shown in FIG. 1.

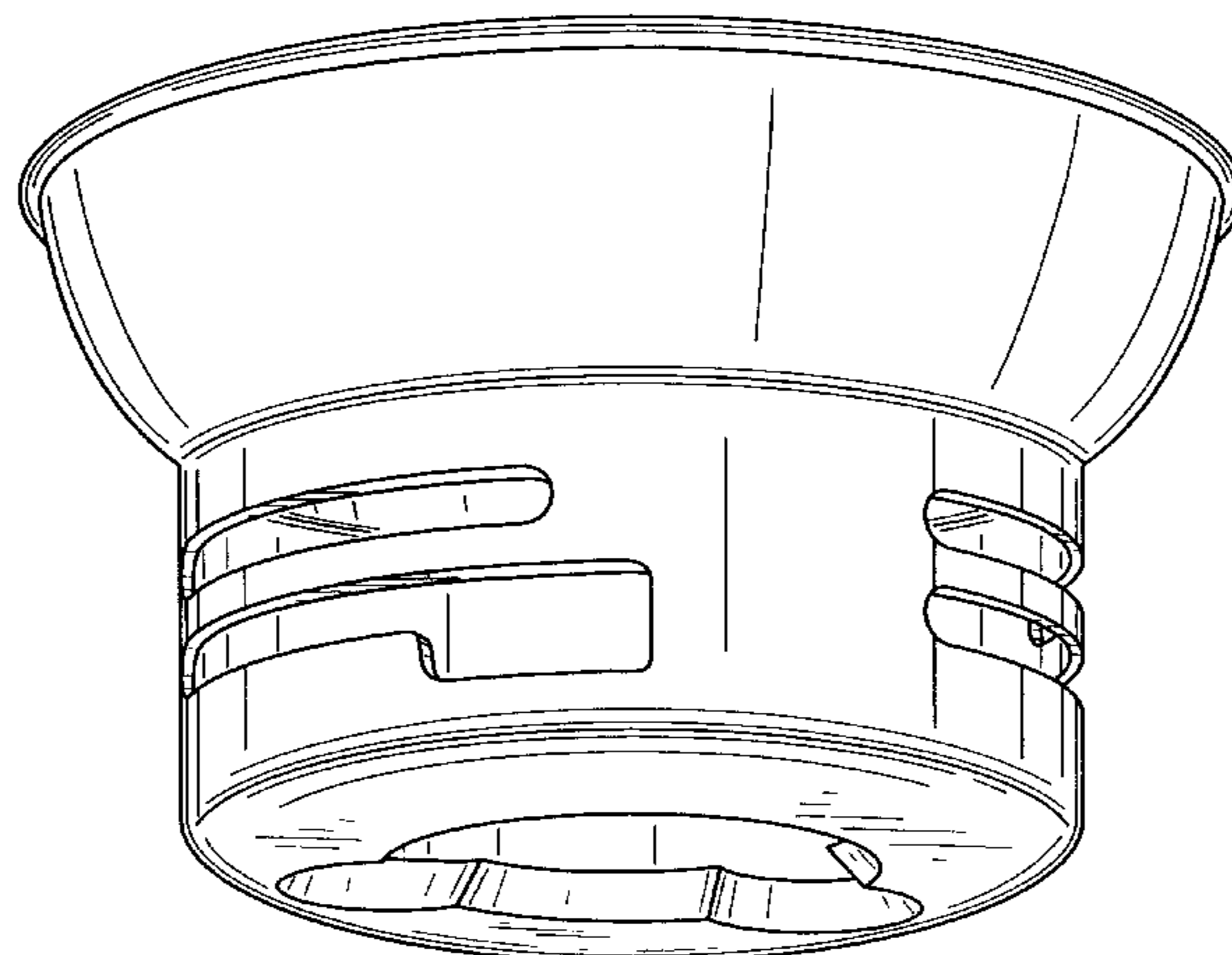
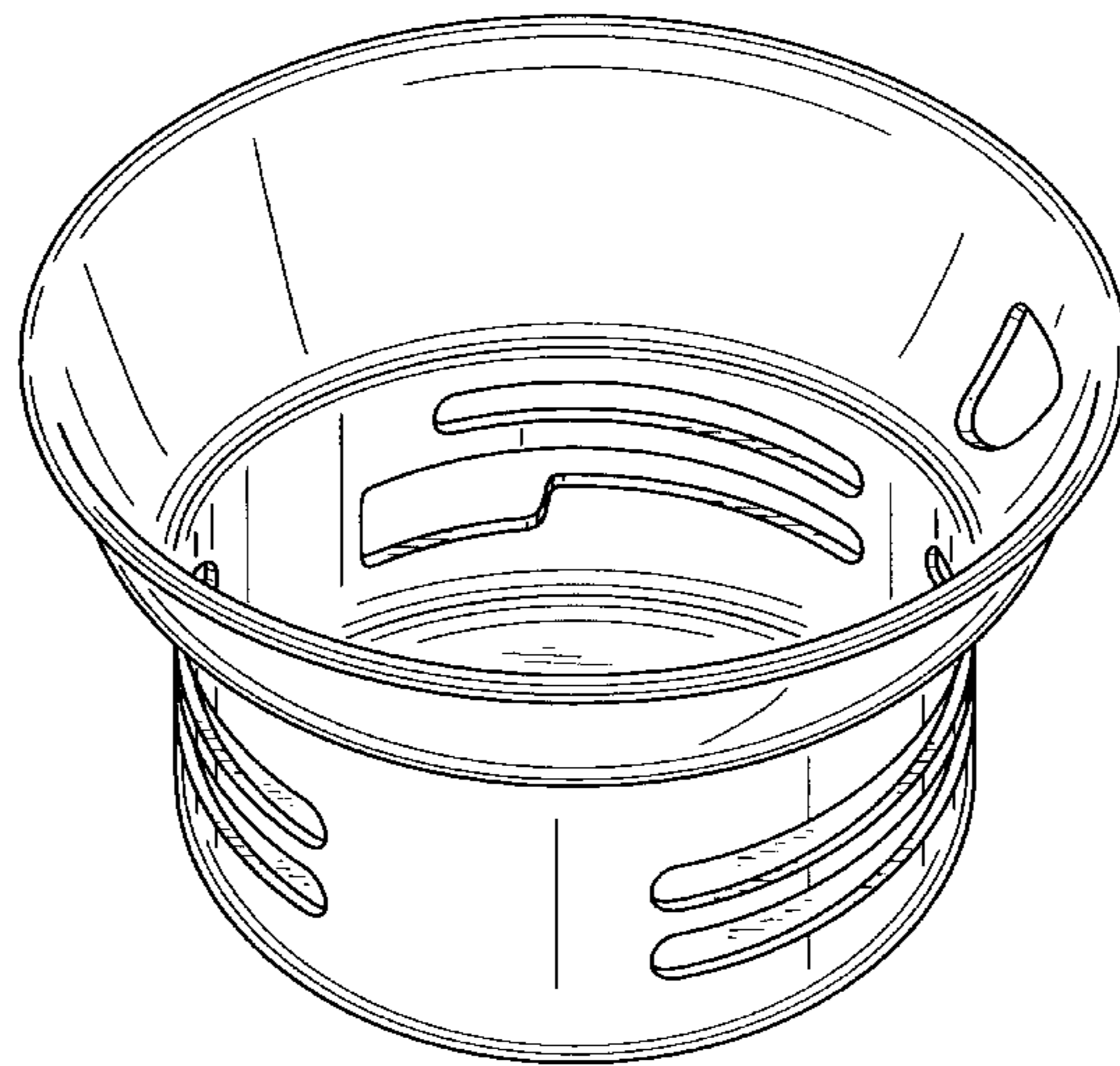
The portions of the article not shown in the drawings or described in the specification form no part of the claimed design.

[56] **References Cited**

U.S. PATENT DOCUMENTS

D. 172,672 7/1954 Lennox D7/337

1 Claim, 2 Drawing Sheets



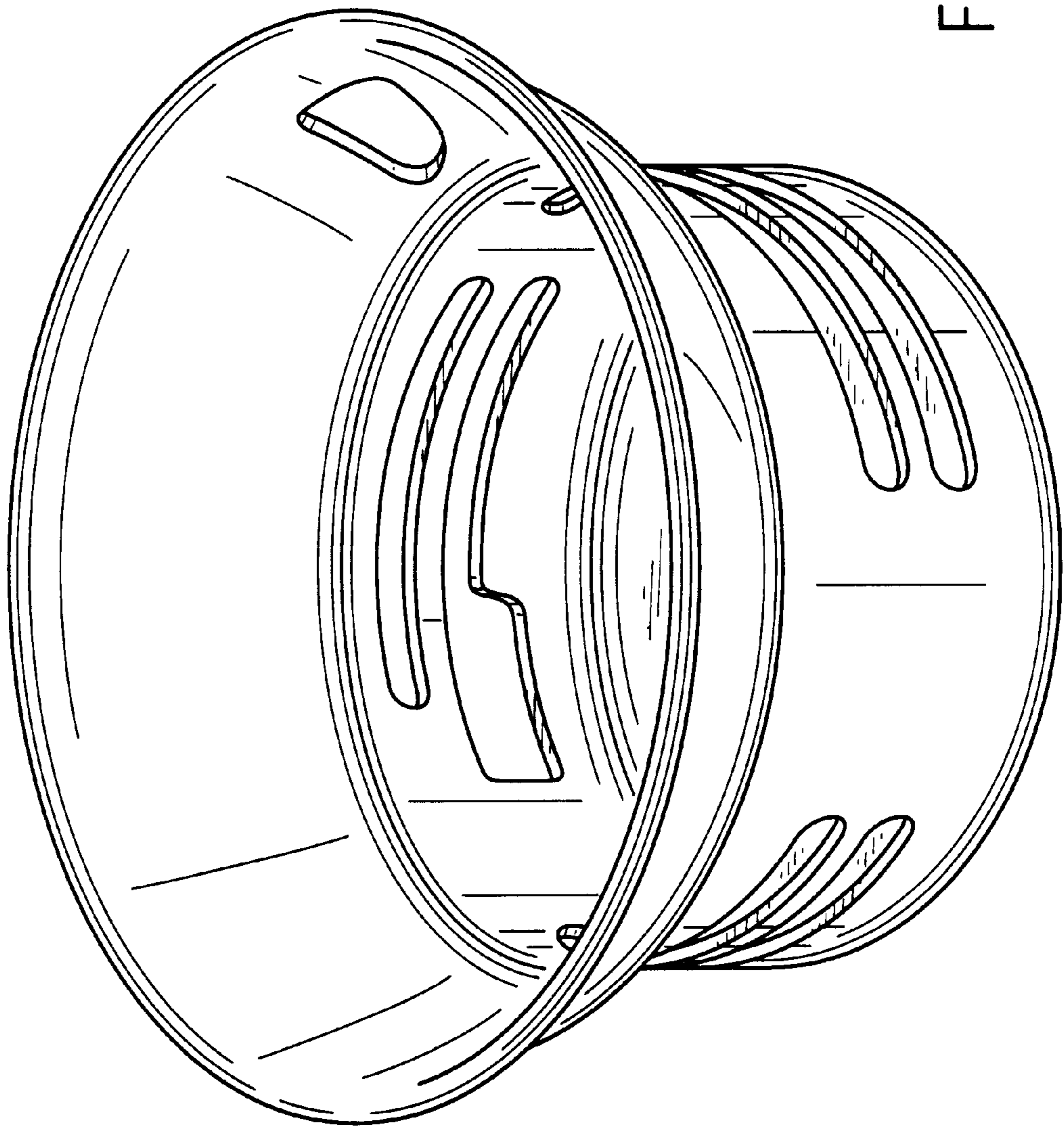


FIG. 1

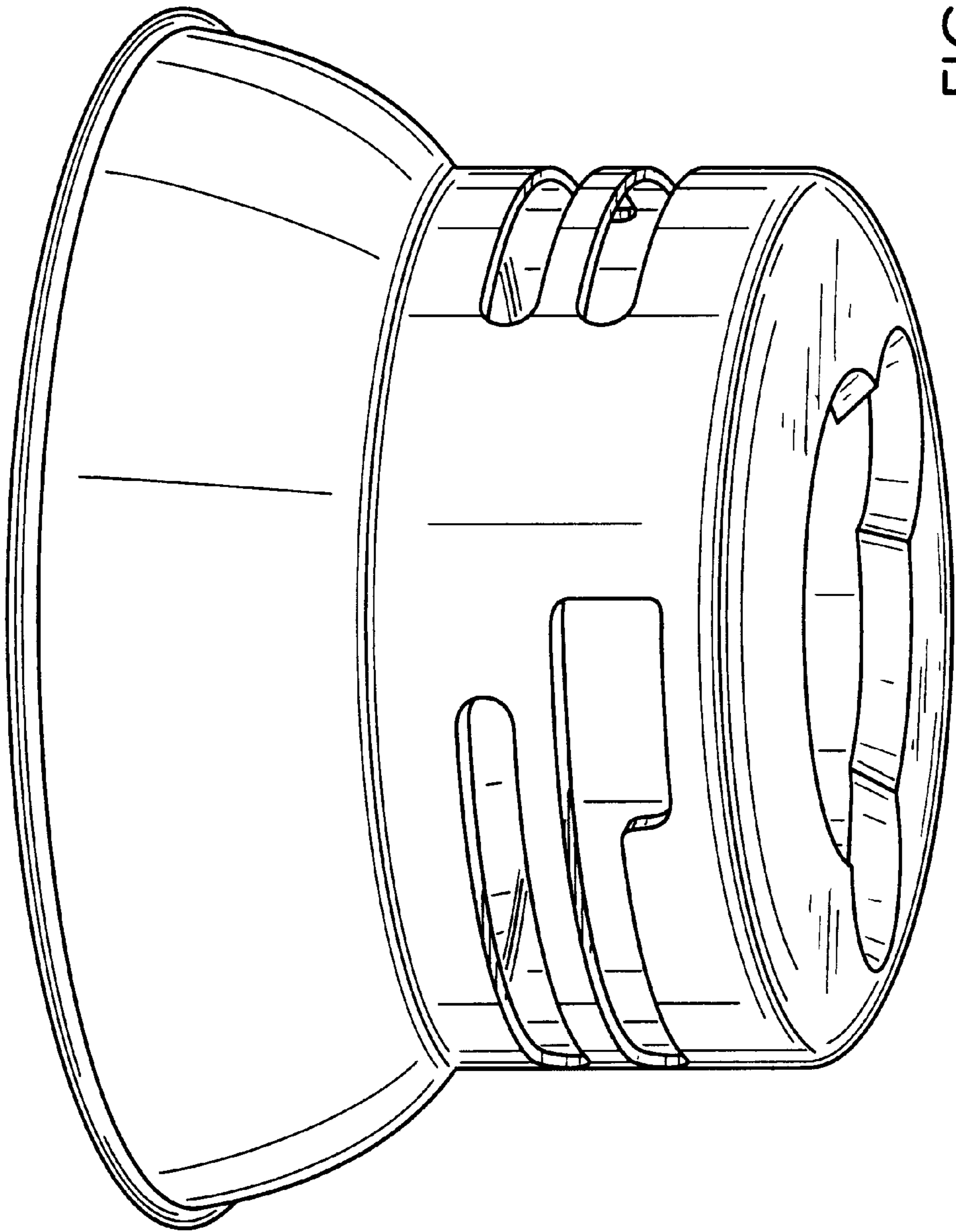


FIG. 2