



US00D422450S

United States Patent [19] Conti

[11] **Patent Number: Des. 422,450**

[45] **Date of Patent: ** Apr. 11, 2000**

[54] **HANDLE FOR CONTAINER**

4,366,596 1/1983 Hellinger et al. 16/119
5,398,374 3/1995 Betancourt 16/110 R

[75] Inventor: **Rino Conti**, Stoughton, Mass.

[73] Assignee: **Holiday Housewares, Inc.**, Leominster, Mass.

Primary Examiner—Caron D. Veynar
Attorney, Agent, or Firm—Pandiscio & Pandiscio

[**] Term: **14 Years**

[57] **CLAIM**

The ornamental design for a handle for container, as shown and described.

[21] Appl. No.: **29/092,255**

[22] Filed: **Aug. 14, 1998**

DESCRIPTION

[51] **LOC (6) Cl.** **07-02**

[52] **U.S. Cl.** **D7/394; D34/10; 16/110 R**

[58] **Field of Search** **D7/354-361, 393-395; D8/107; D34/1, 10, 12, 27; 16/110 R, 116 R, 119; 220/524**

FIG. 1 is a perspective view of a handle designed according to the present invention;
FIG. 2 is a front view in elevation of the same handle;
FIG. 3 is a rear view in elevation of the same handle;
FIG. 4 is a plan view of the same handle;
FIG. 5 is a side elevation of the handle; and,
FIG. 6 is a bottom view of the handle.

[56] **References Cited**

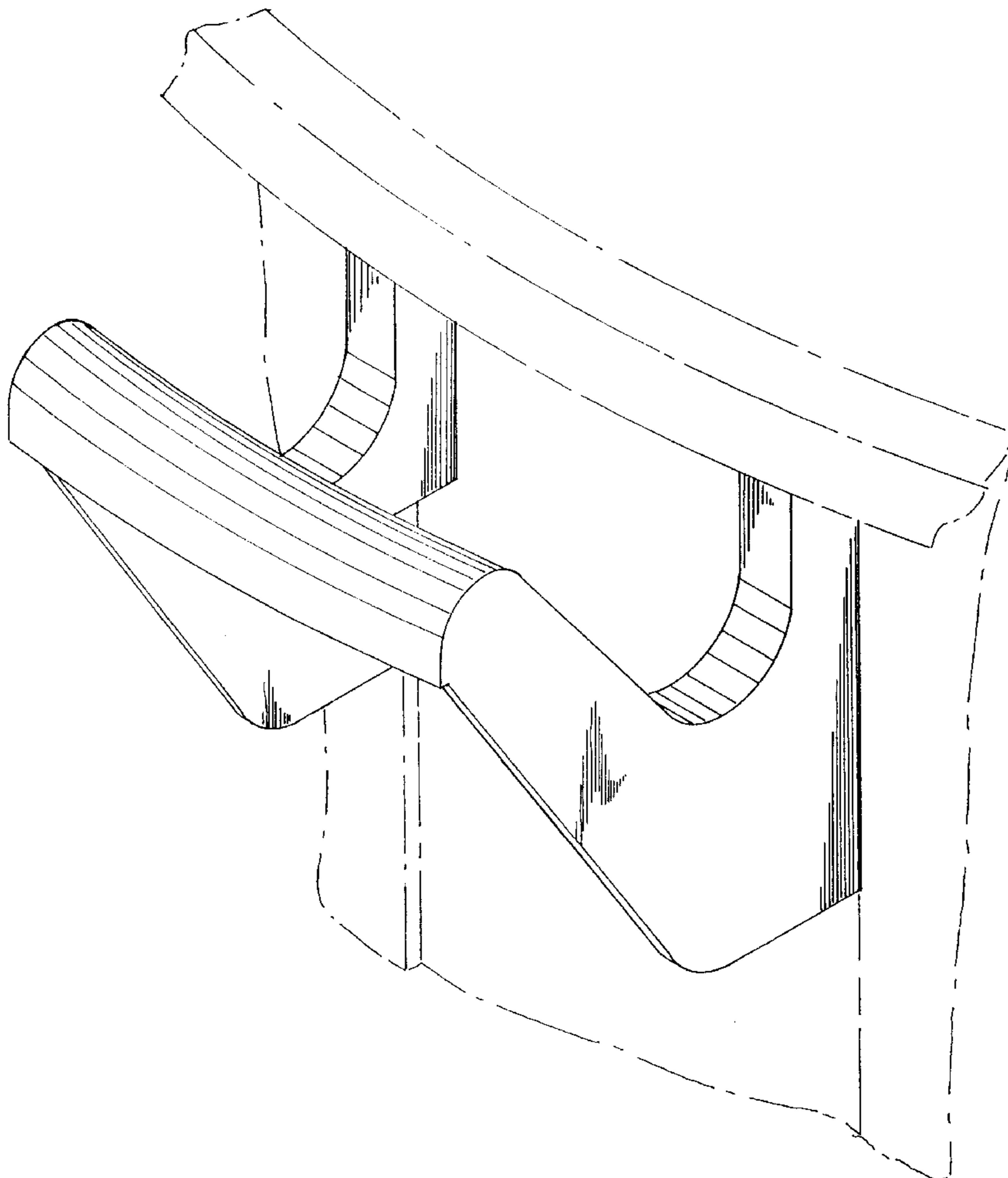
U.S. PATENT DOCUMENTS

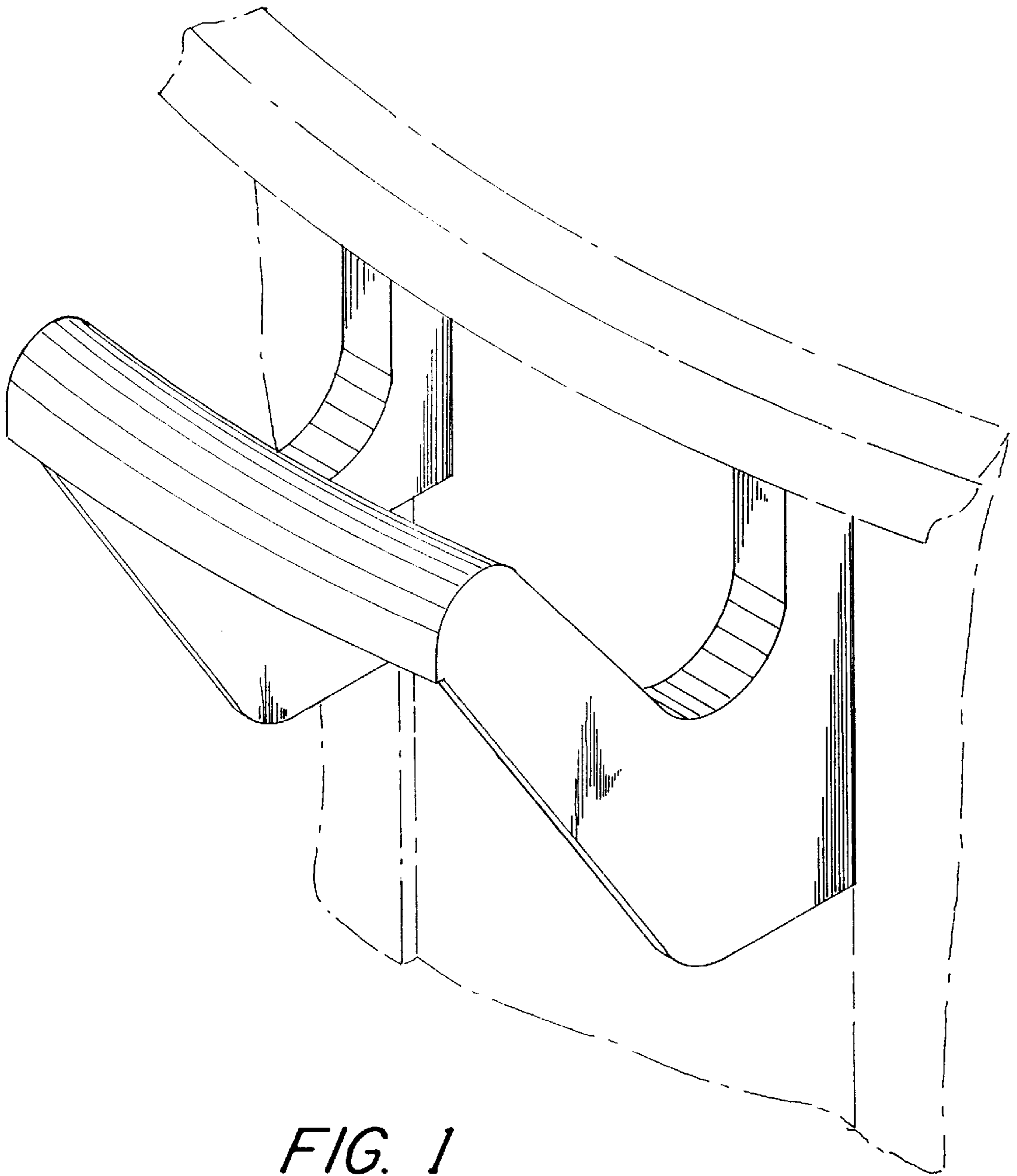
247,316	9/1881	Crane	220/524
D. 351,702	10/1994	Breen	D34/10
D. 351,703	10/1994	Breen	D34/10
D. 353,697	12/1994	Breen et al.	D34/10
D. 396,925	8/1998	Kessler et al.	D34/27

The left-side view of the handle is a mirror image of the right side view.

The broken line disclosure in FIGS. 2, 4 and 6 is for illustrative purposes only and forms no part of the claimed design.

1 Claim, 3 Drawing Sheets





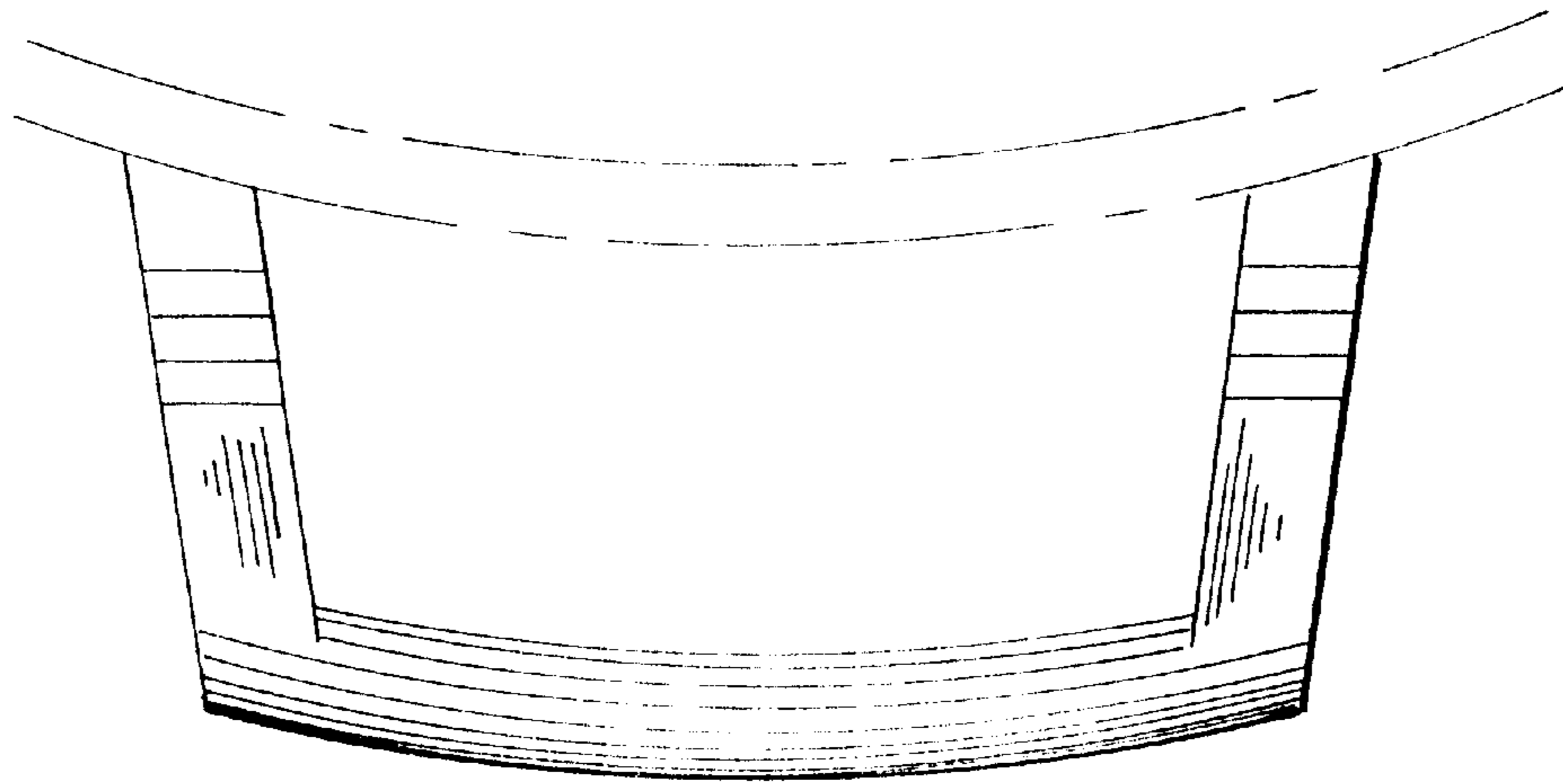


FIG. 4

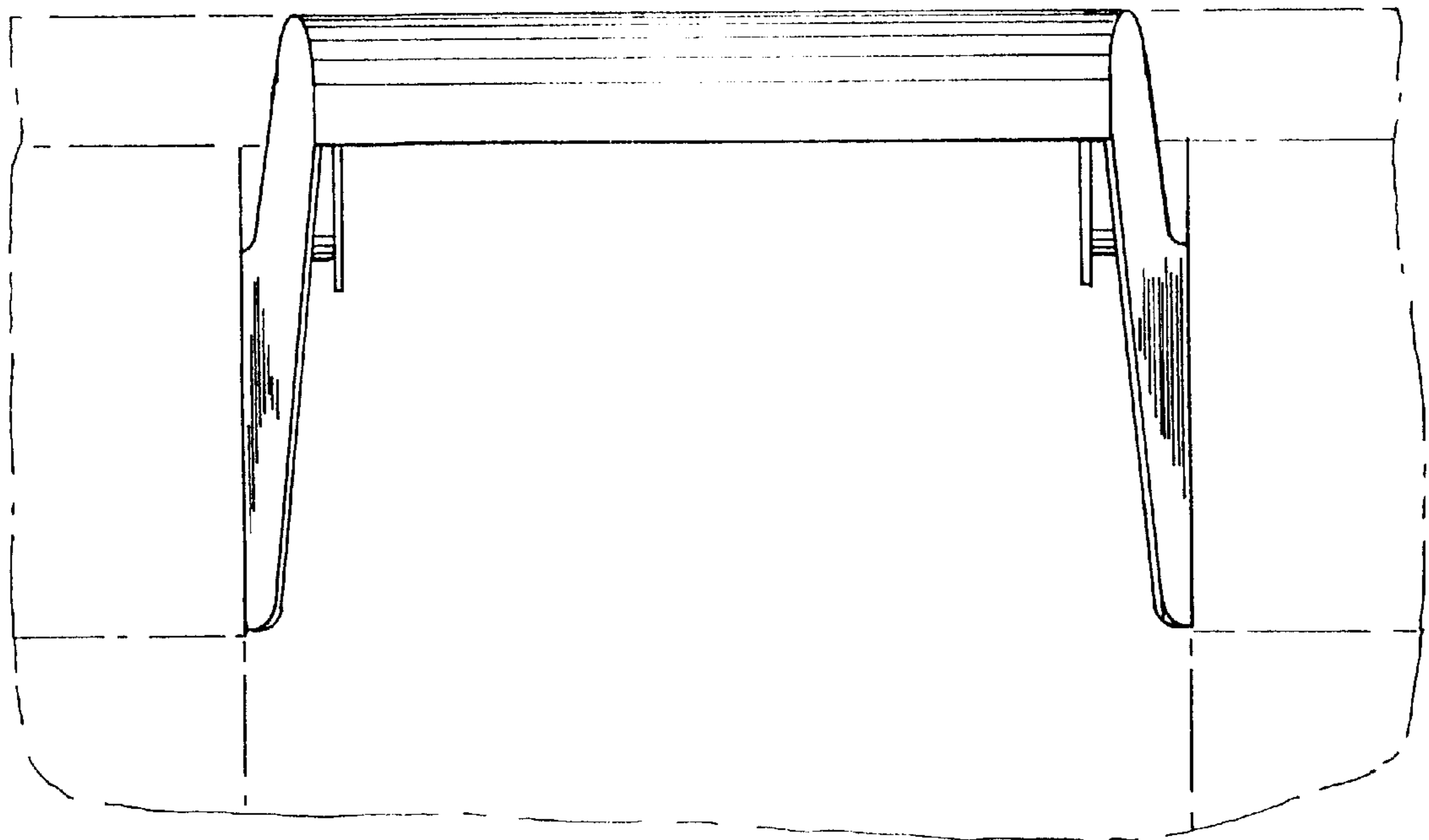


FIG. 2

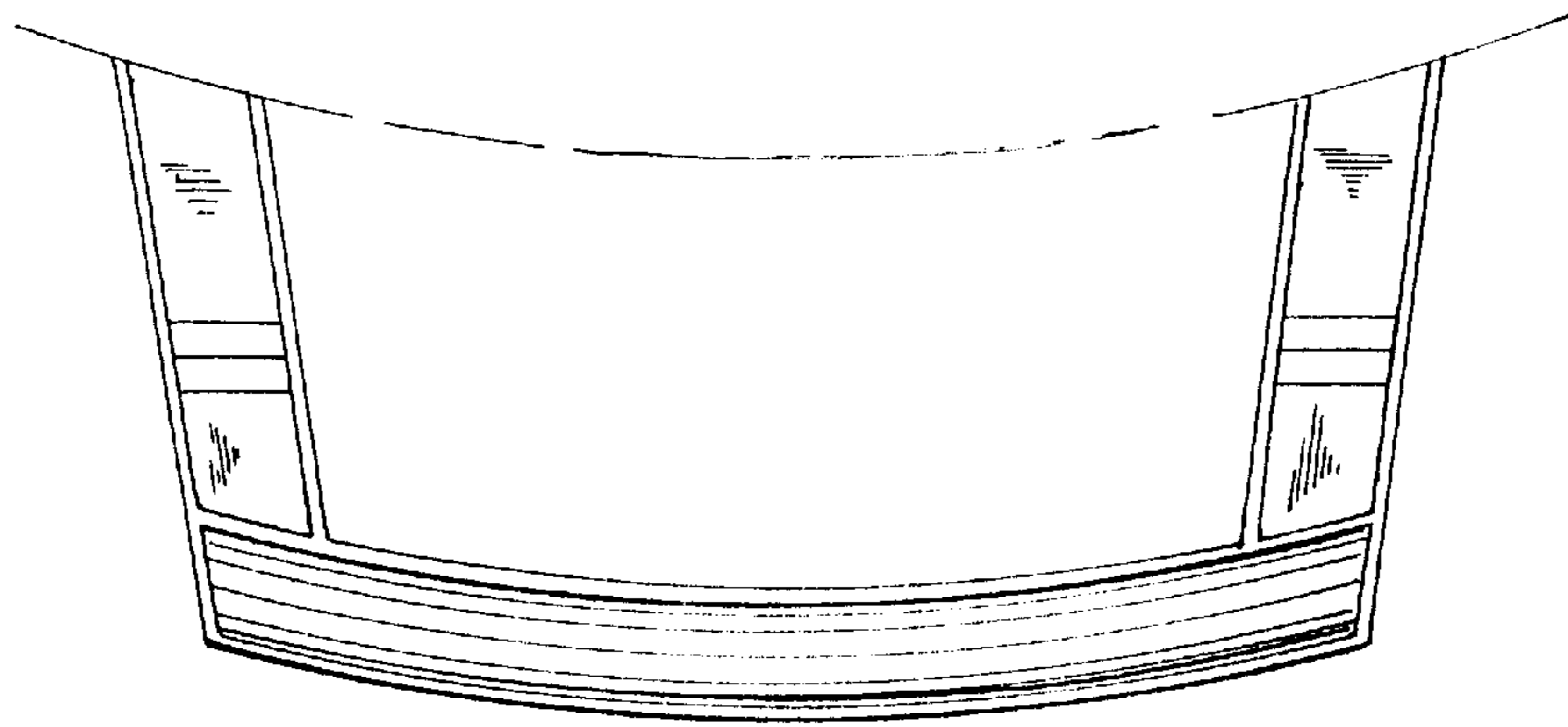


FIG. 6

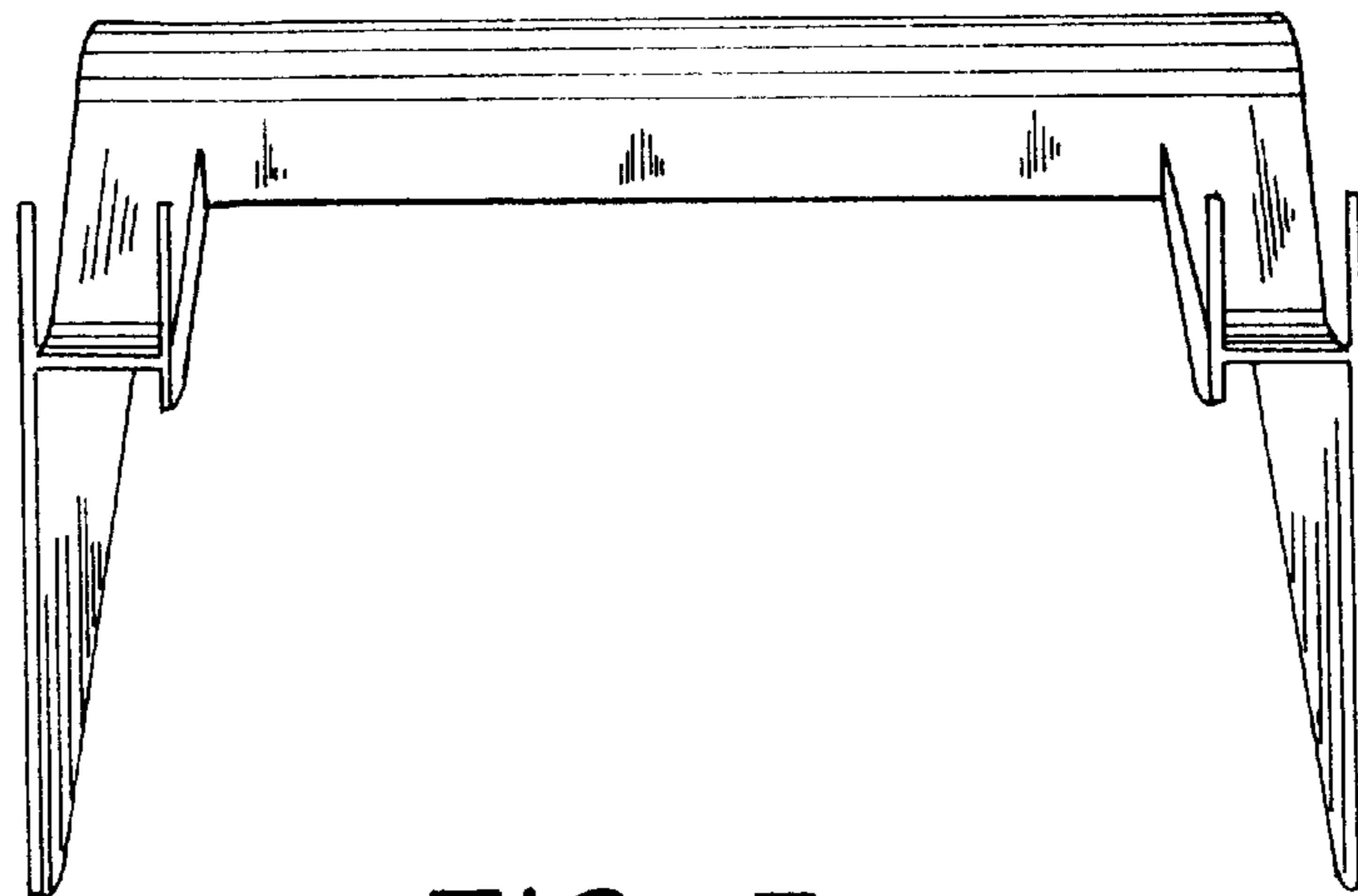


FIG. 3

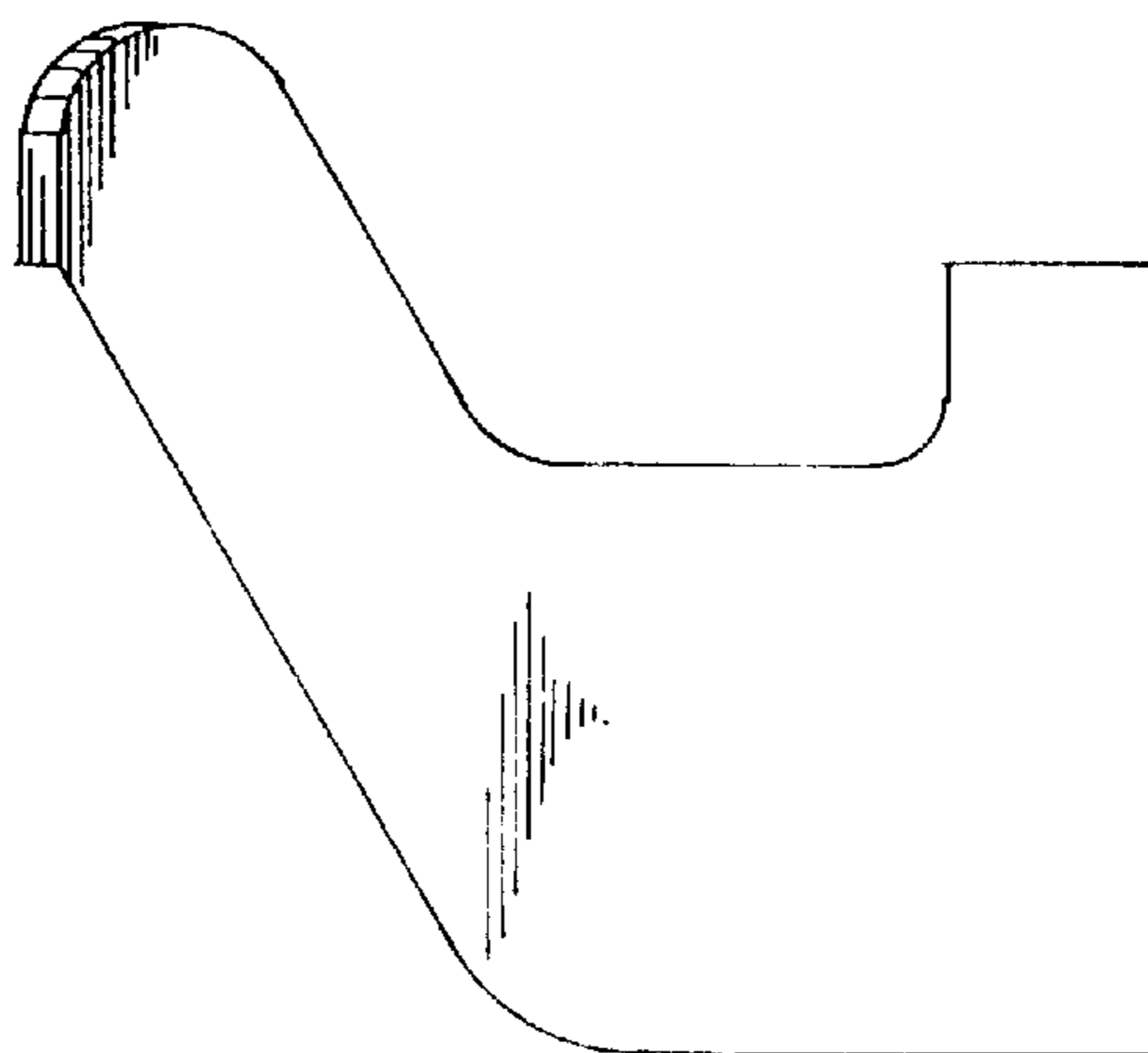


FIG. 5