



US00D422449S

United States Patent [19]

Johnson et al.

[11] Patent Number: **Des. 422,449**

[45] Date of Patent: **** Apr. 11, 2000**

[54] FRONT FACE OF A SLICER

[75] Inventors: **Michael W. Johnson**, Sidney; **Jeff Frock**, Troy; **Mark Andrew Kovacs**, Kettering; **James Alan Shirk**, Union; **Shahram Shariff**, Dayton, all of Ohio

[73] Assignee: **Premark FEG L.L.C.**, Wilmington, Del.

[**] Term: **14 Years**

[21] Appl. No.: **29/102,917**

[22] Filed: **Apr. 2, 1999**

[51] **LOC (6) Cl.** **31-00**

[52] **U.S. Cl.** **D7/383**

[58] **Field of Search** D7/381, 383, 412, D7/535; D13/107; 99/353; 83/703-707

[56] References Cited

U.S. PATENT DOCUMENTS

D. 145,406	8/1946	Meyer	D7/383
D. 269,347	6/1983	Cantatore et al.	D7/383
D. 372,165	7/1996	Shirk et al.	D7/412
D. 390,414	2/1998	Shirk et al.	D7/412
D. 390,748	2/1998	Short et al.	D7/383 X

OTHER PUBLICATIONS

Hobart, 2000 Series Slicers, Apr. 1998.
Hobart, 2812 Manual & 2912 Automatic Slicers, Apr. 1998.
Hobart, 2912 Slicer Specification Sheet, Jan. 1999.

Hobart, 2812 pS, 2912PS & 2912SC Portioning Slicers, May 1999.

Hobart, 2912PS & 2912SC Automatic Slicers, May 1999.

Primary Examiner—Caron D. Veynar

Attorney, Agent, or Firm—Thompson Hine & Flory LLP

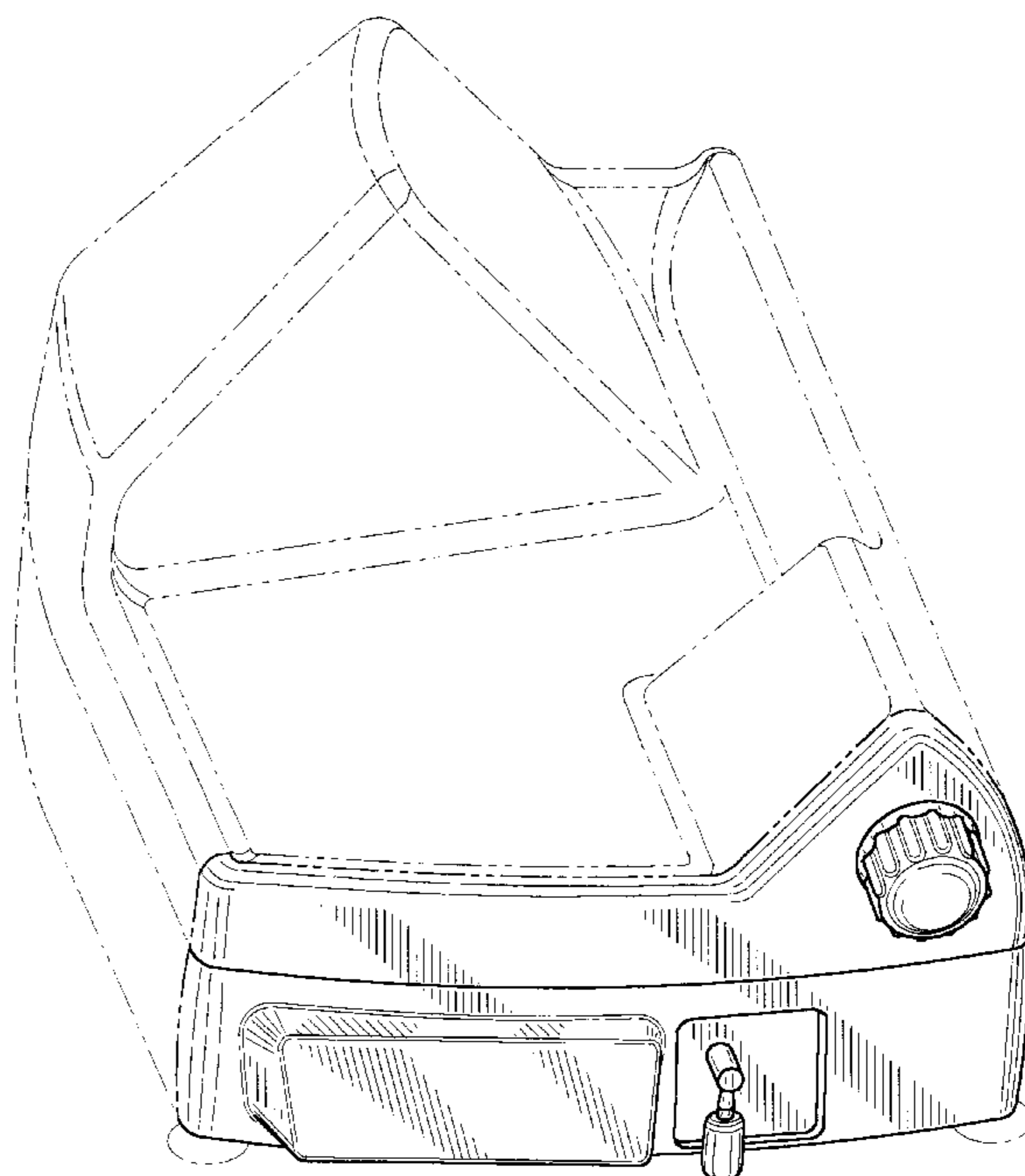
[57] CLAIM

The ornamental design for a front face of a slicer, as shown and described.

DESCRIPTION

FIG. 1 is a front perspective view of a front face of a slicer showing our new design;
FIG. 2 is a front elevational view thereof;
FIG. 3 is a left side elevational view thereof;
FIG. 4 is a right side elevational view thereof;
FIG. 5 is a top plan view thereof;
FIG. 6 is a bottom plan view thereof;
FIG. 7 is a front perspective view of another embodiment of the front face of a slicer;
FIG. 8 is a front elevational view of the embodiment of FIG. 7;
FIG. 9 is a left side elevational view of the embodiment of FIG. 7;
FIG. 10 is a right side elevational view of the embodiment of FIG. 7;
FIG. 11 is a top plan view of the embodiment of FIG. 7; and,
FIG. 12 is a bottom plan view of the embodiment of FIG. 7.
The broken line showings in FIGS. 1-12 are for illustrative purposes only and form no part of the claimed design.

1 Claim, 12 Drawing Sheets



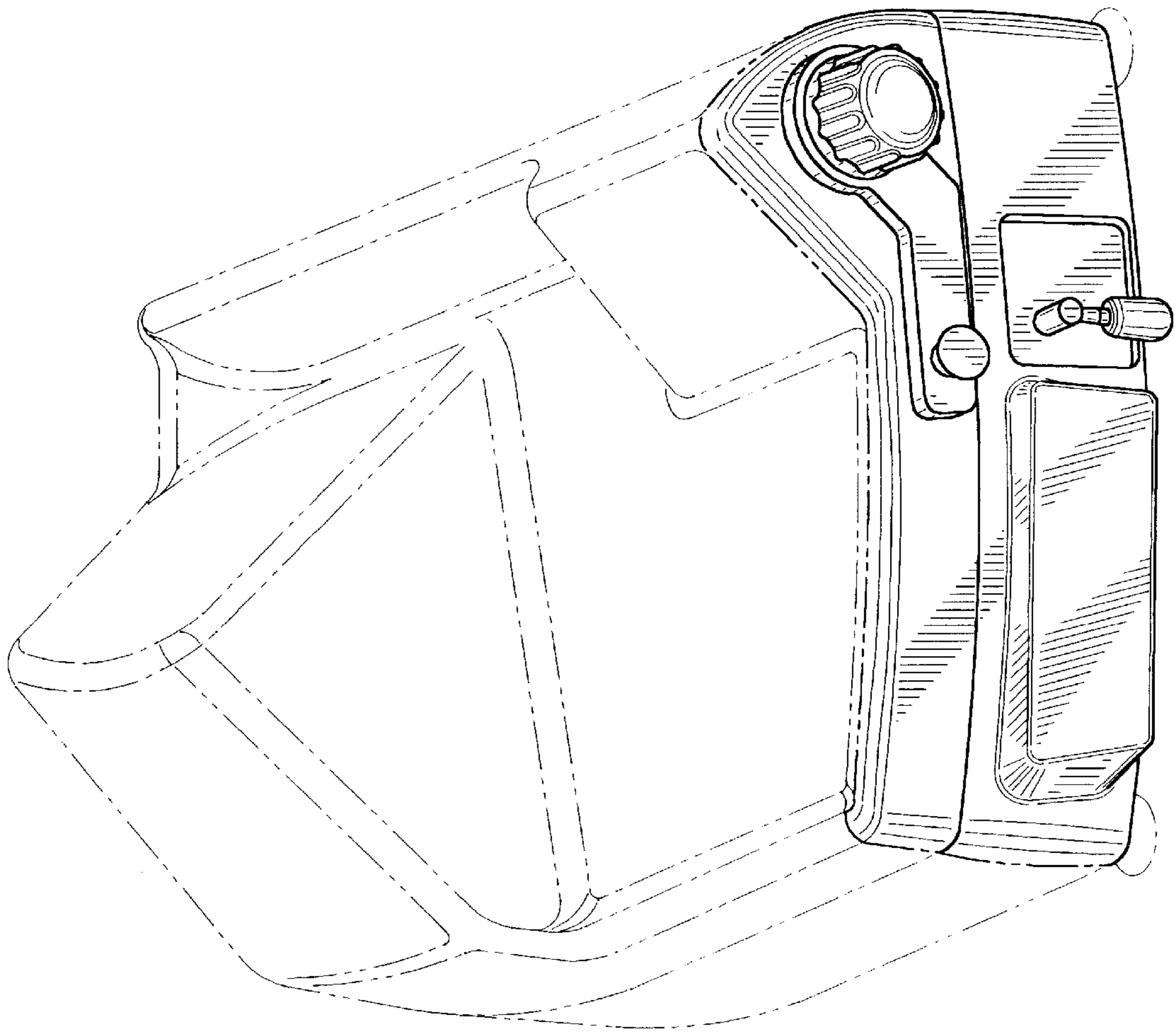


FIG. 1

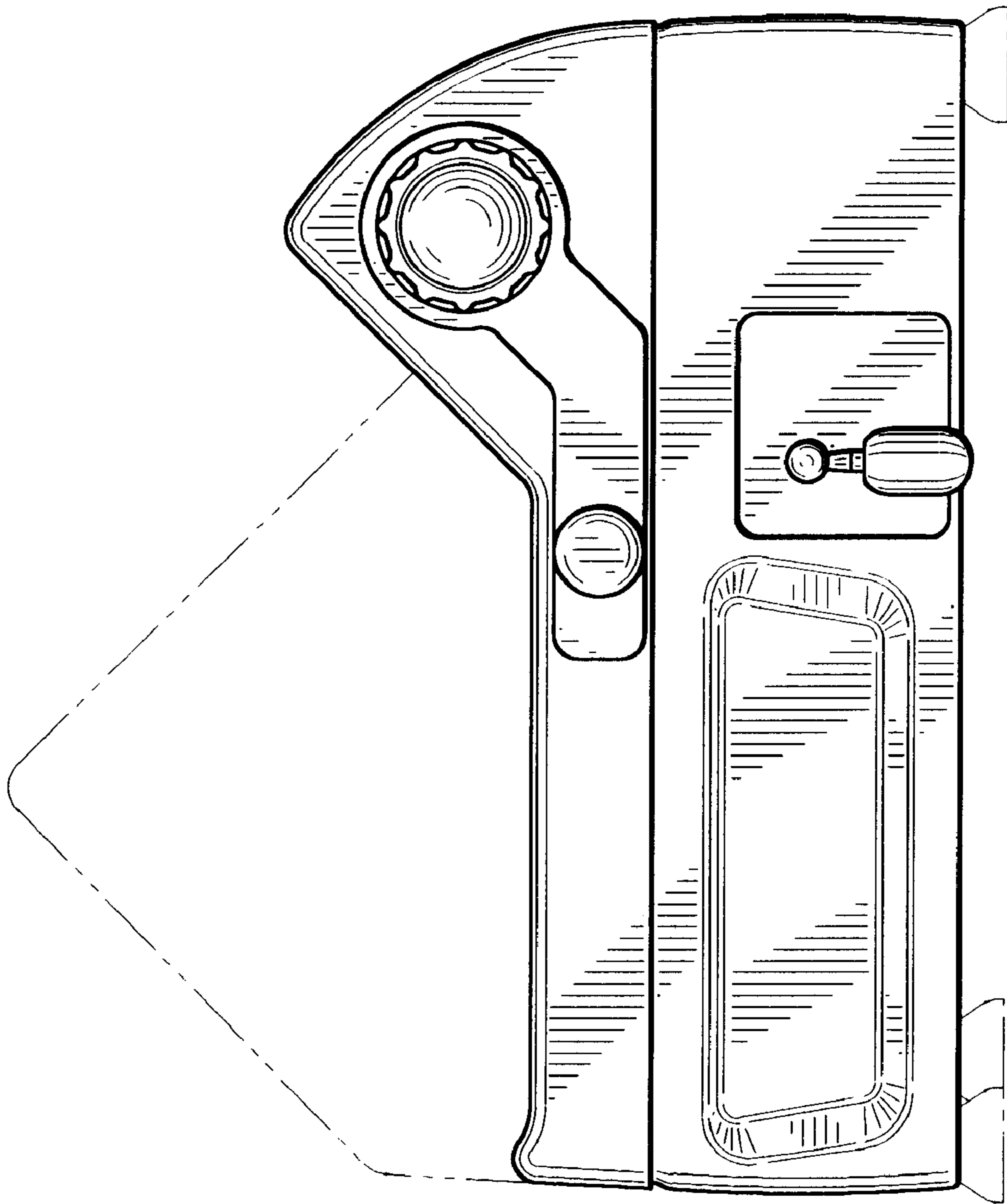


FIG. 2



FIG. 3

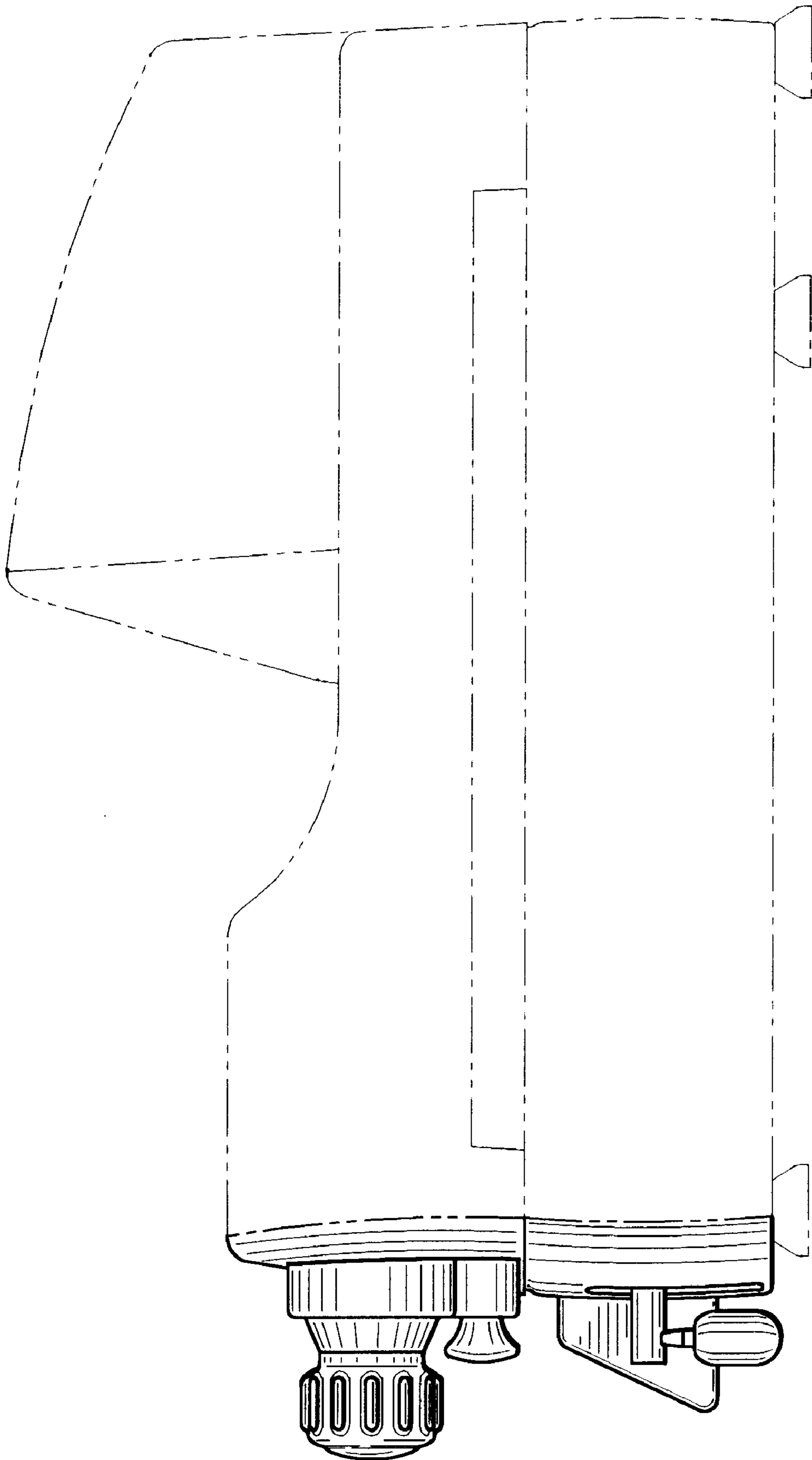


FIG. 4

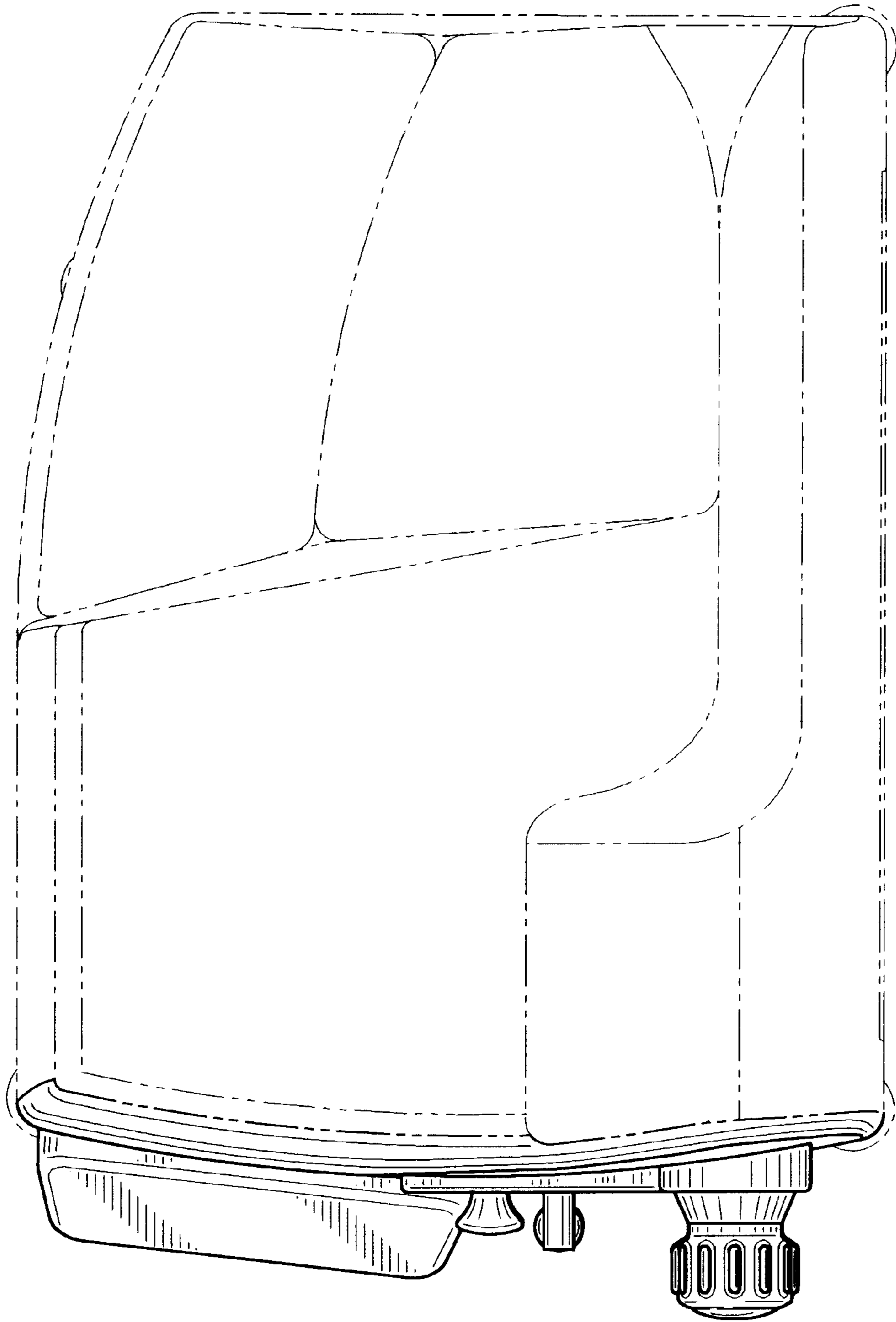


FIG. 5

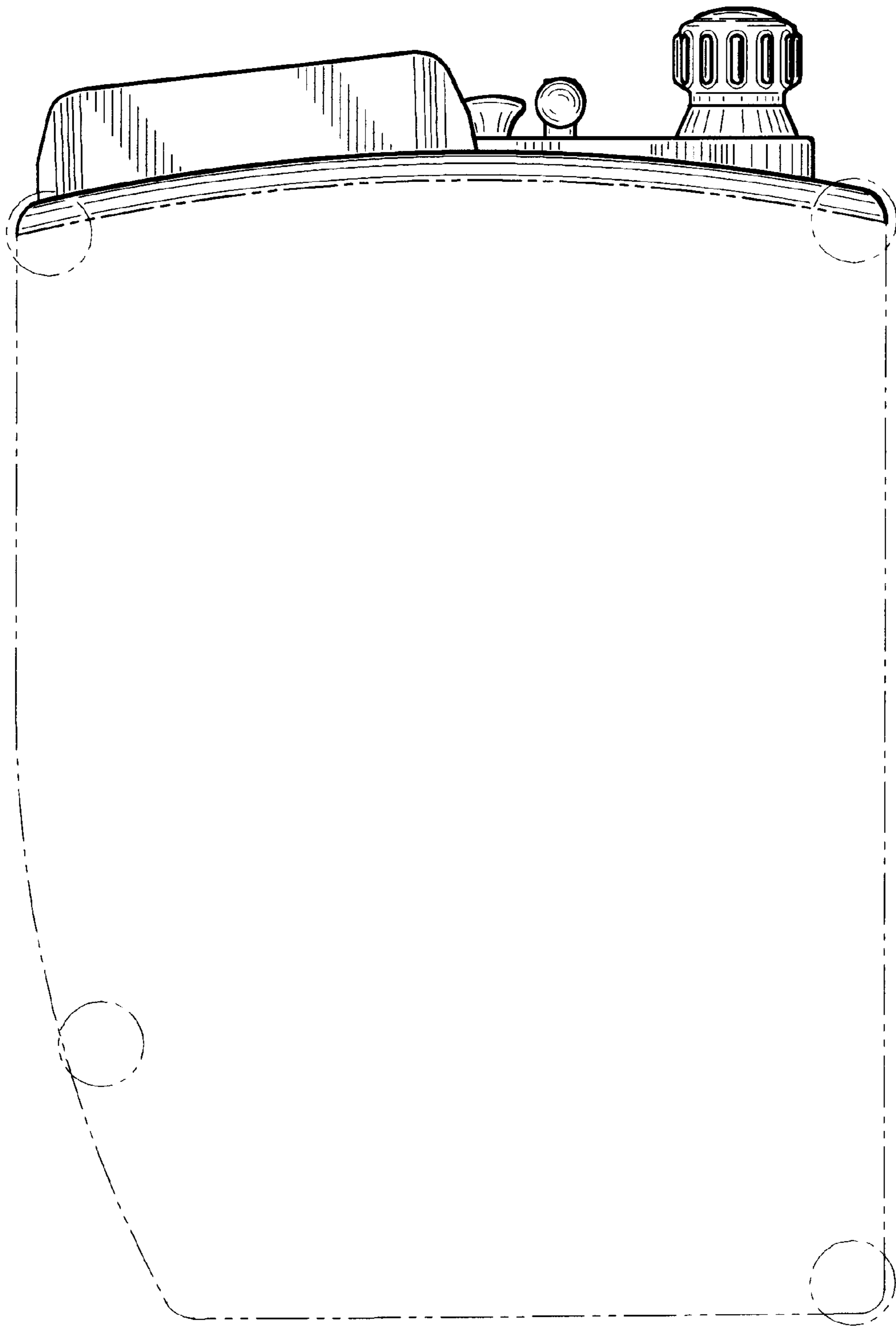


FIG. 6

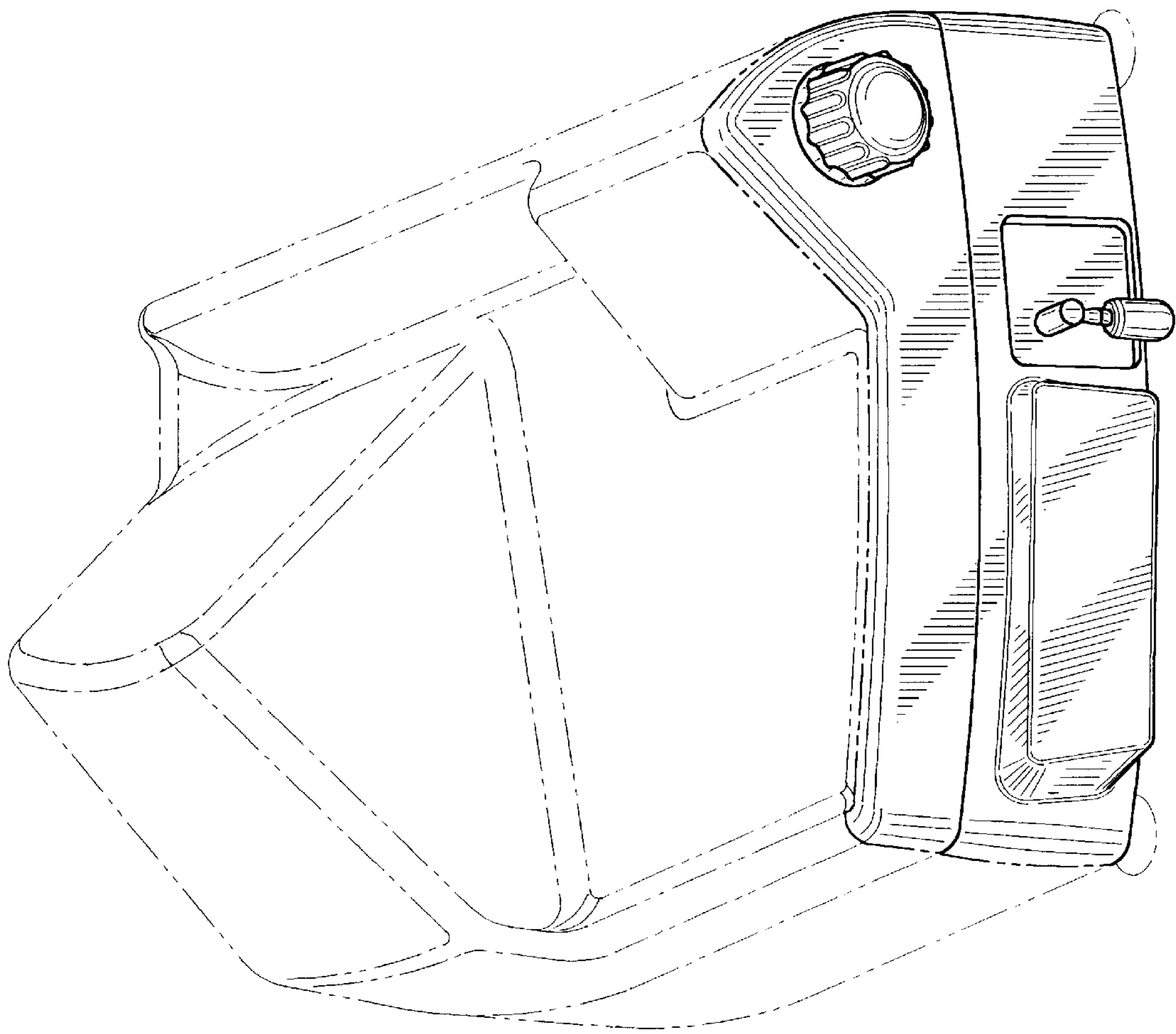


FIG. 7

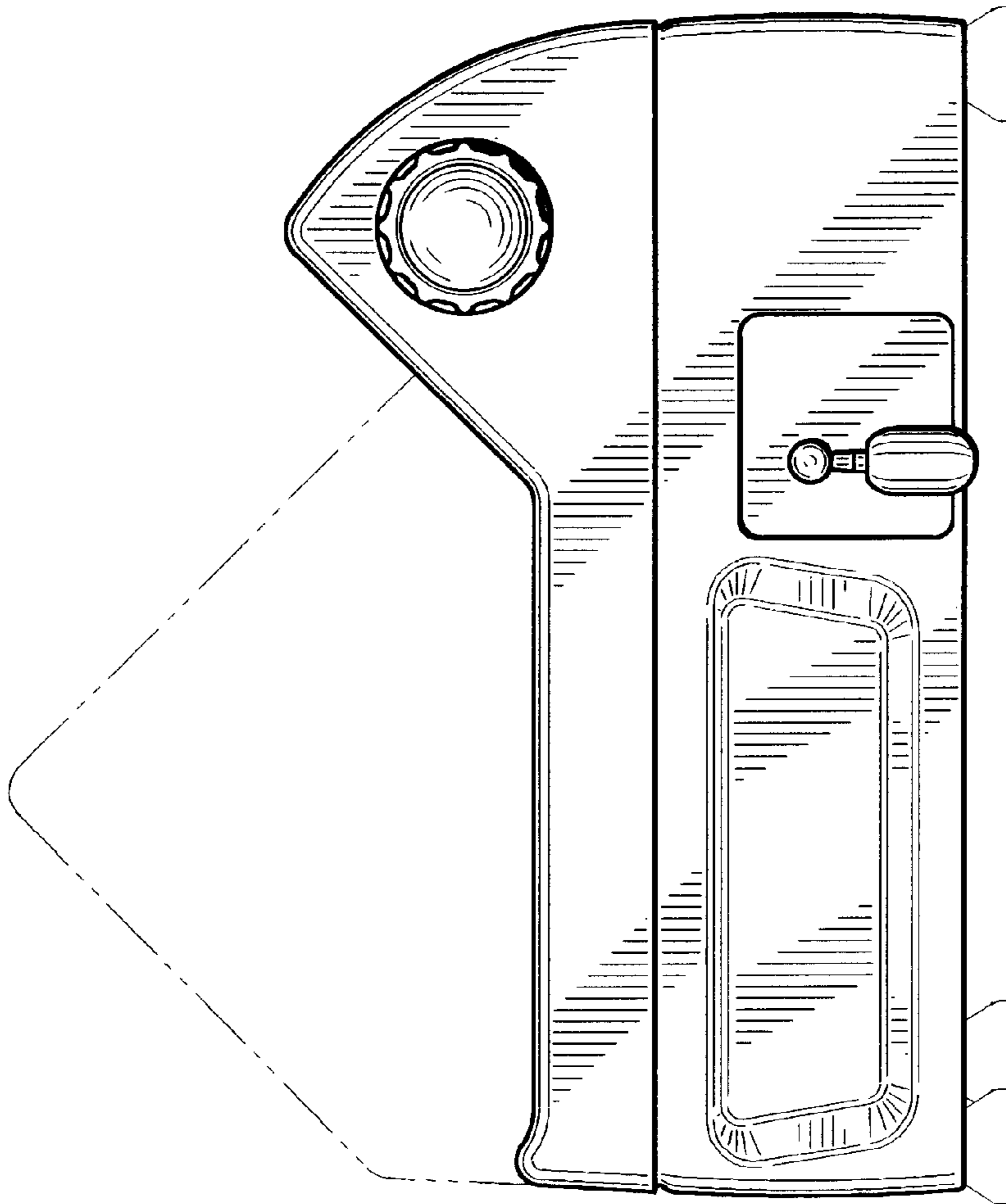


FIG. 8



FIG. 9

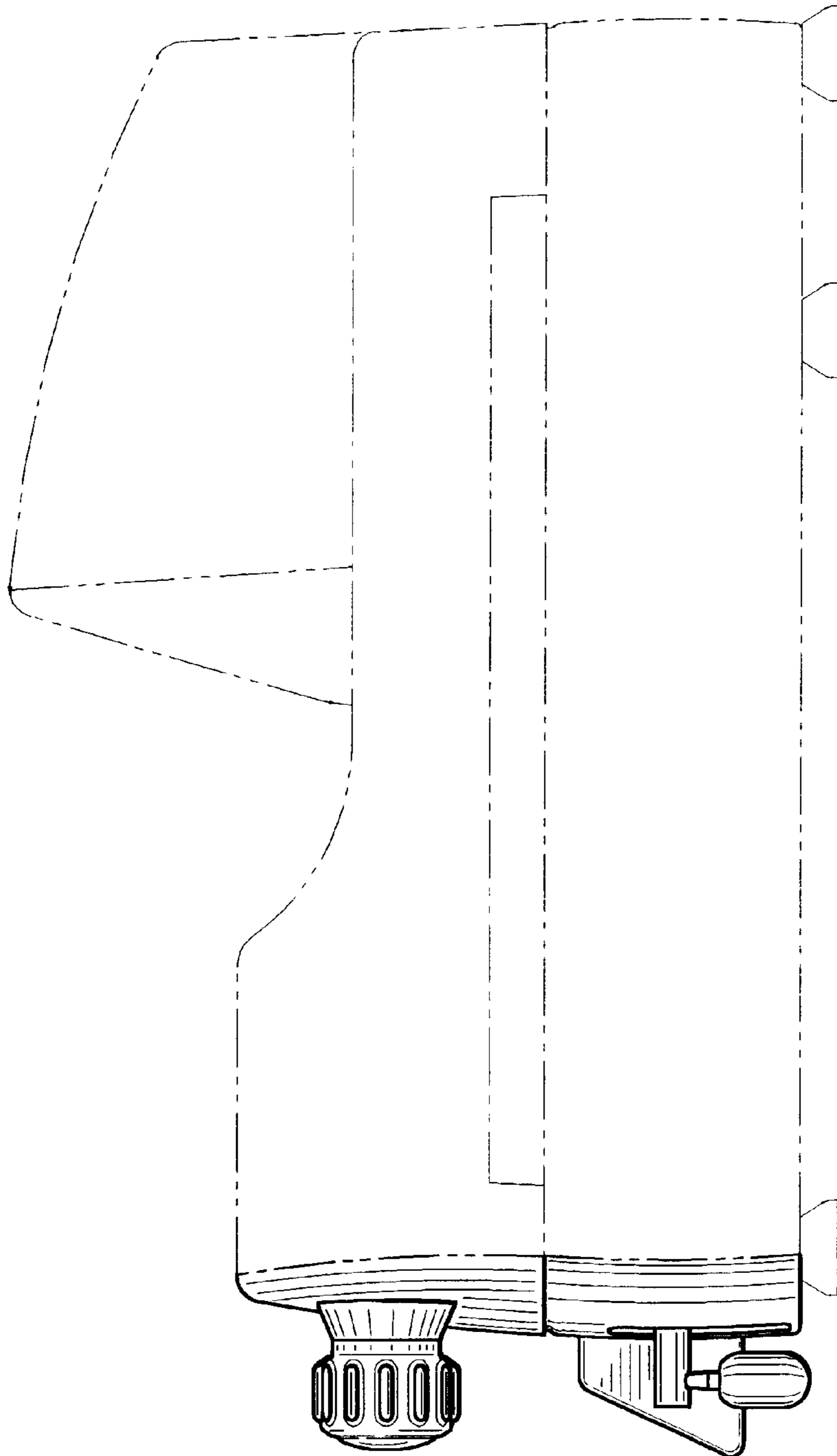


FIG. 10



FIG. 11

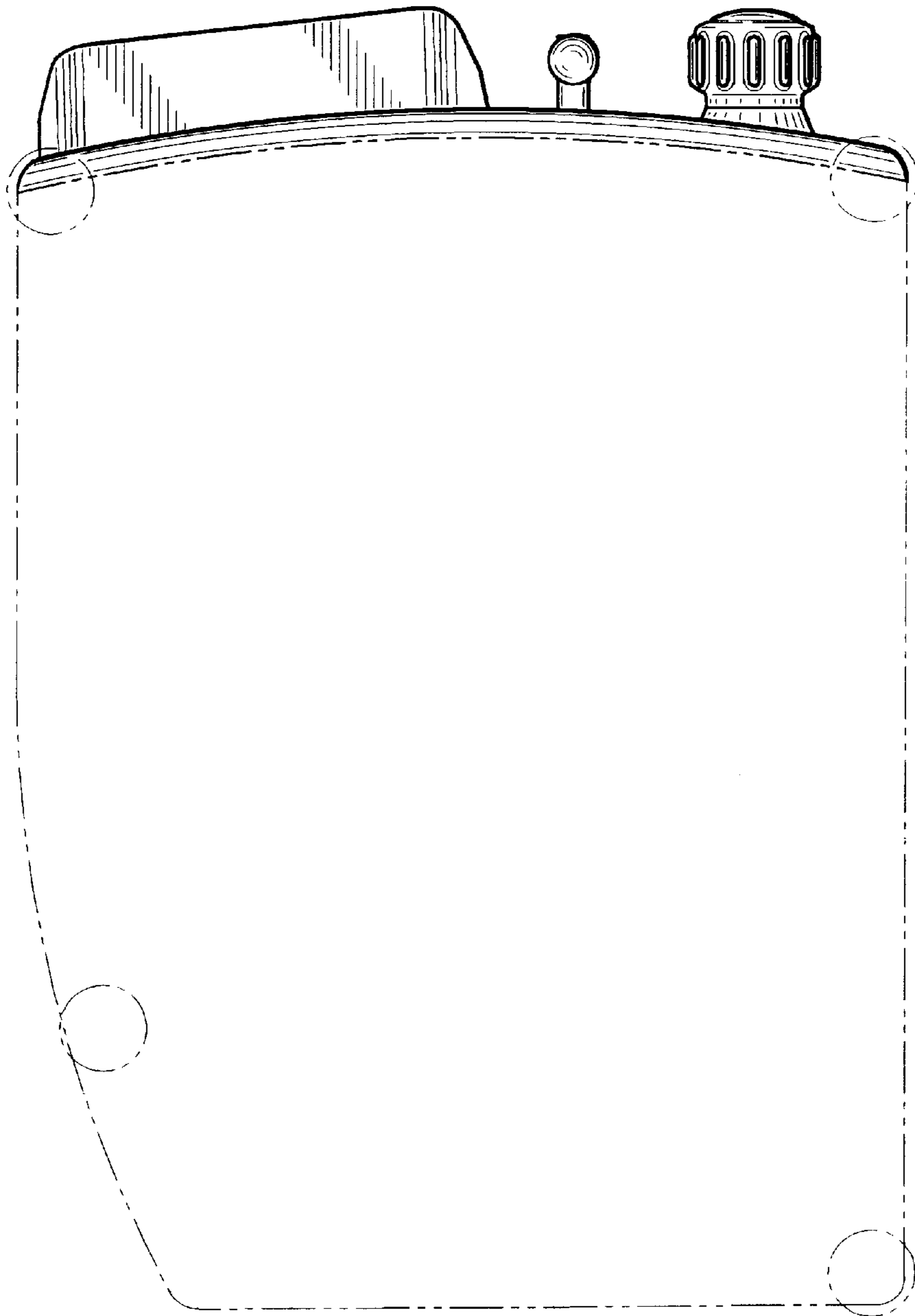


FIG. 12