



US00D422447S

# United States Patent [19] Josancy

[11] **Patent Number: Des. 422,447**

[45] **Date of Patent: \*\* Apr. 11, 2000**

[54] **FRYER**

[75] Inventor: **Luc Josancy**, Sainte Colombe, France

[73] Assignee: **SEB**, Selongey, France

[\*\*] Term: **14 Years**

[21] Appl. No.: **29/109,193**

[22] Filed: **Aug. 12, 1999**

### [30] Foreign Application Priority Data

Feb. 22, 1999 [FR] France ..... 99 1281

[51] **LOC (6) Cl.** ..... **07-02**

[52] **U.S. Cl.** ..... **D7/354**

[58] **Field of Search** ..... D7/323, 354-361;  
99/331, 403, 410, 411, 413; 219/429, 432,  
438, 440

### [56] References Cited

#### U.S. PATENT DOCUMENTS

- D. 347,353 5/1994 Piret et al. .... D7/354
- D. 368,620 4/1996 Piret ..... D7/354
- D. 374,588 10/1996 Federico ..... D7/354

- D. 387,243 12/1997 Bumoux ..... D7/354
- D. 395,786 7/1998 Rossi ..... D7/354
- D. 410,815 6/1999 Oger ..... D7/354
- D. 414,072 9/1999 Powell ..... D7/354

*Primary Examiner*—Caron D. Veynar  
*Attorney, Agent, or Firm*—Pillsbury Madison & Sutro

### [57] CLAIM

The ornamental design for a fryer, as shown and described.

### DESCRIPTION

FIG. 1 is a front elevational view of a fryer according to my new design;

FIG. 2 is a rear elevational view thereof;

FIG. 3 is a right side elevational view thereof;

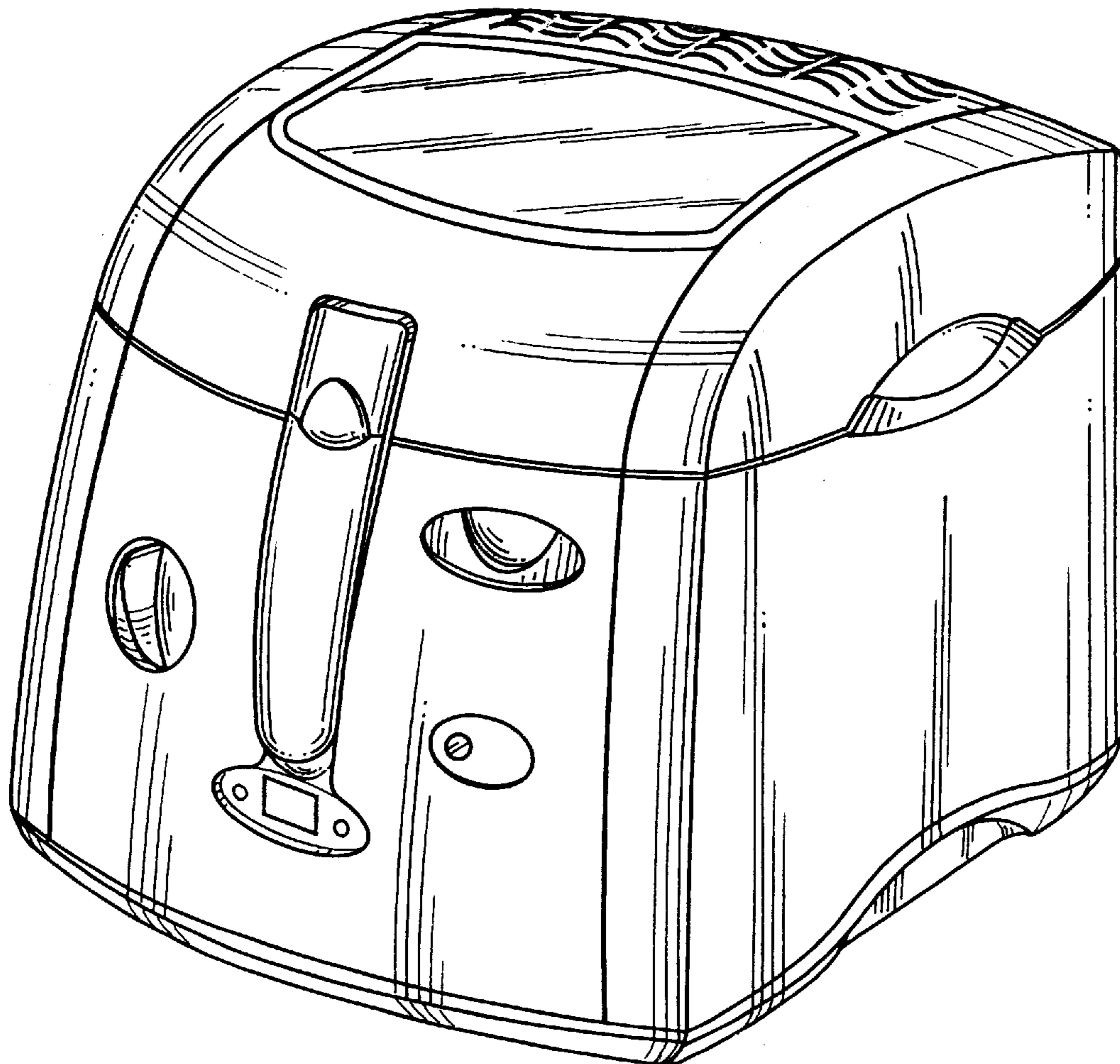
FIG. 4 is a top plan view thereof;

FIG. 5 is a bottom plan view thereof; and,

FIG. 6 is a perspective view thereof, seen from above and from the right and the front.

The drawings do not show a left side elevational view. Such a view would be essentially a mirror image of FIG. 3, except for two small design features on the front surface of the fryer.

**1 Claim, 4 Drawing Sheets**



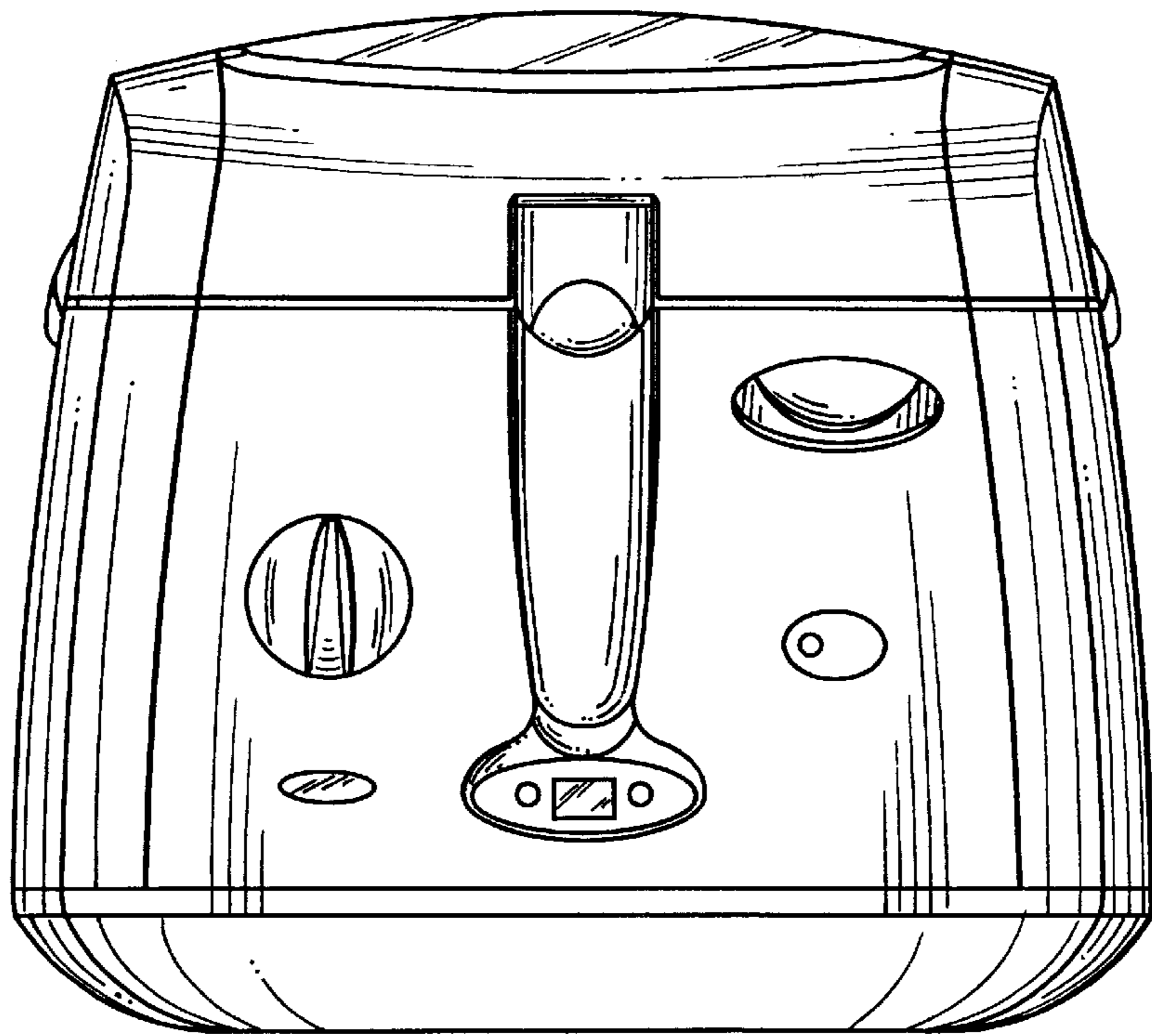


FIG. 1

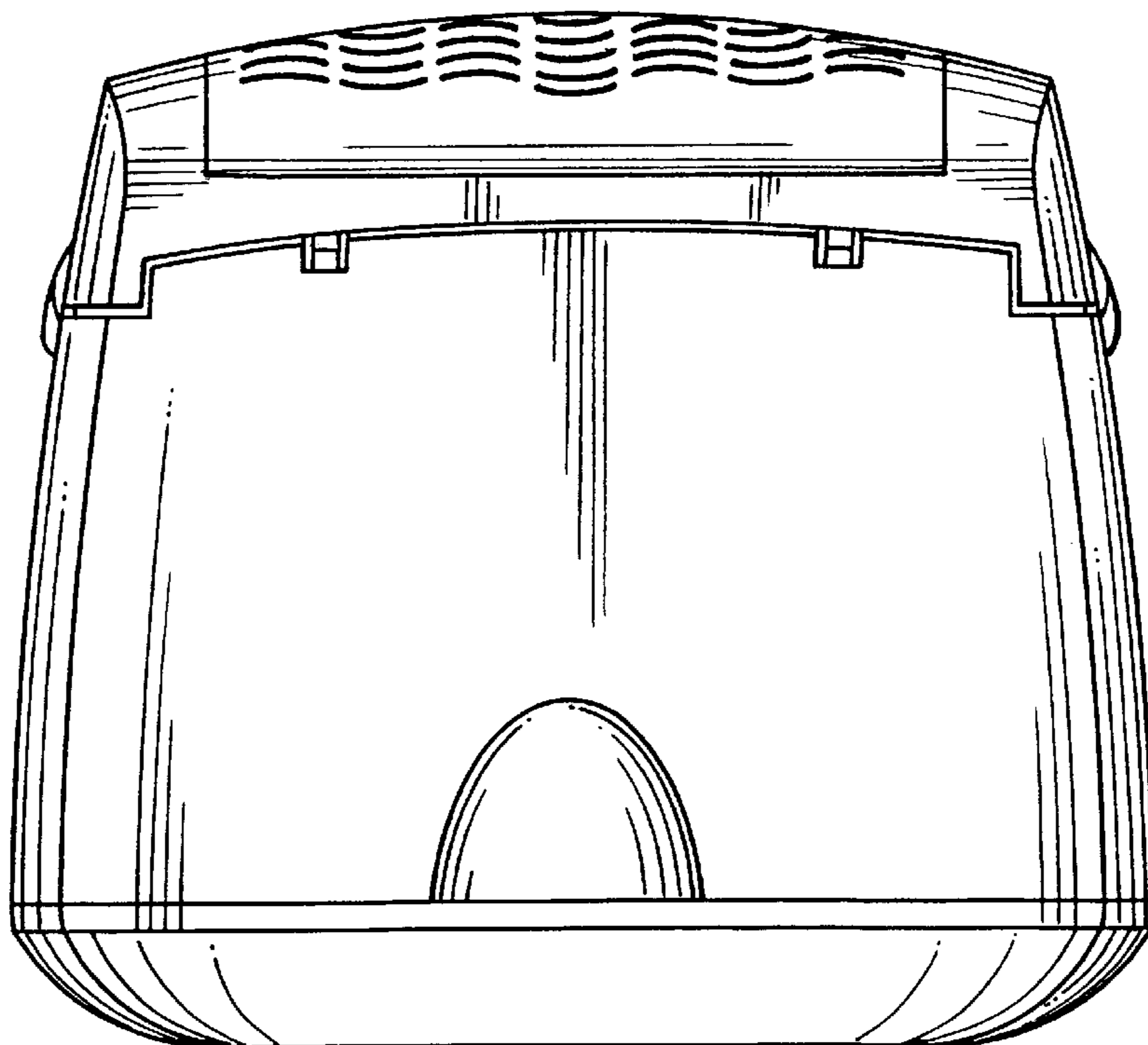


FIG. 2

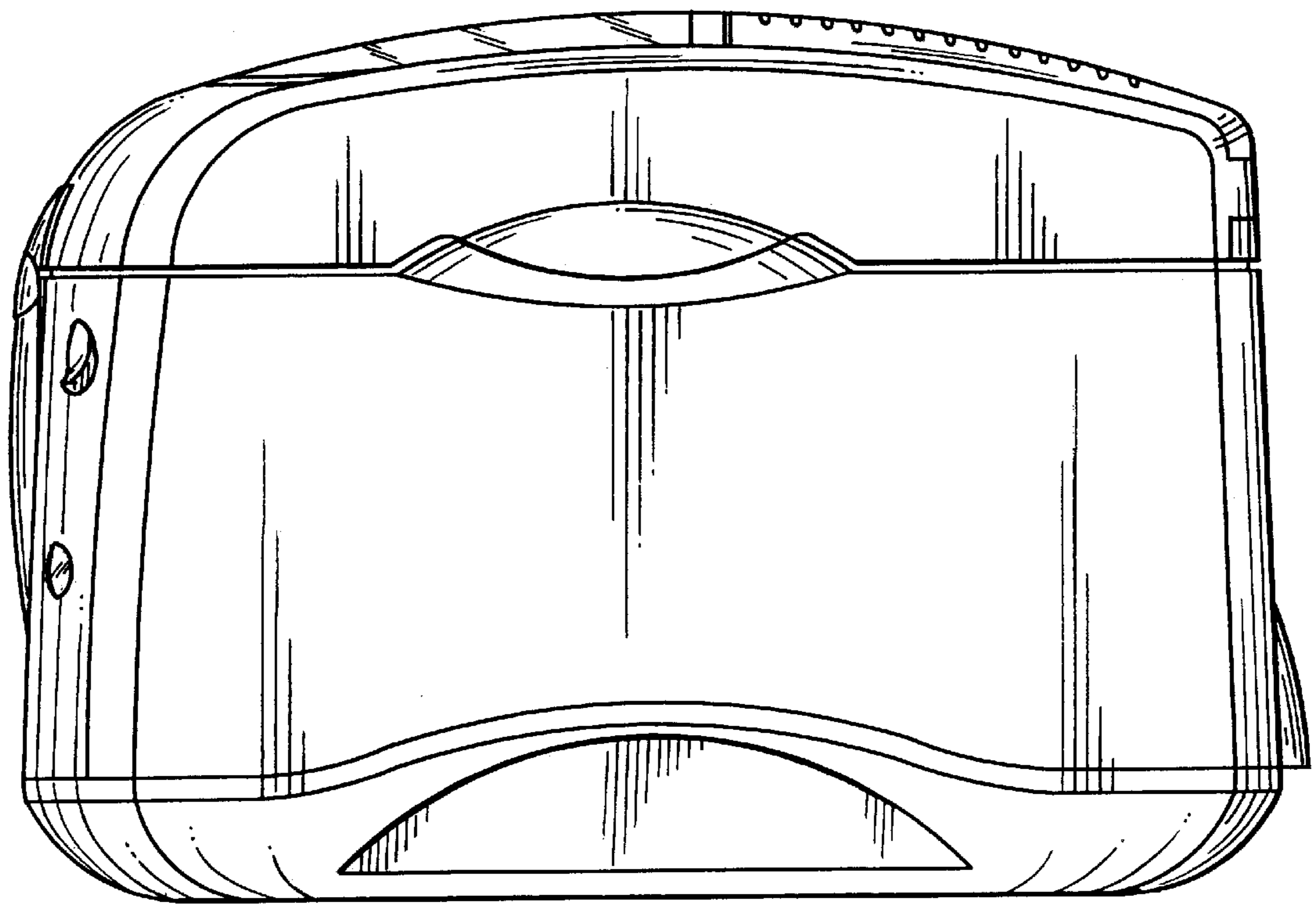


FIG. 3

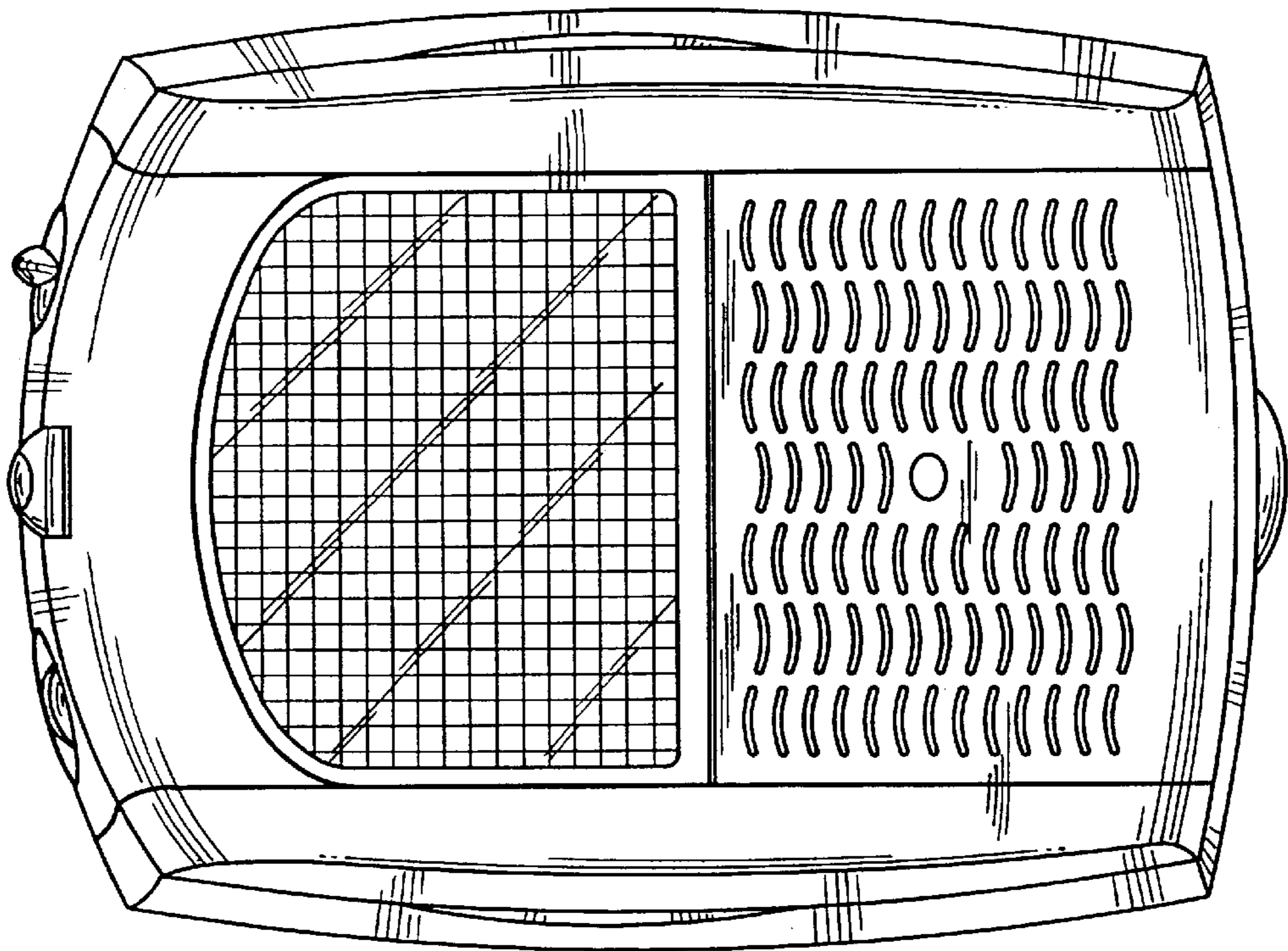


FIG. 4

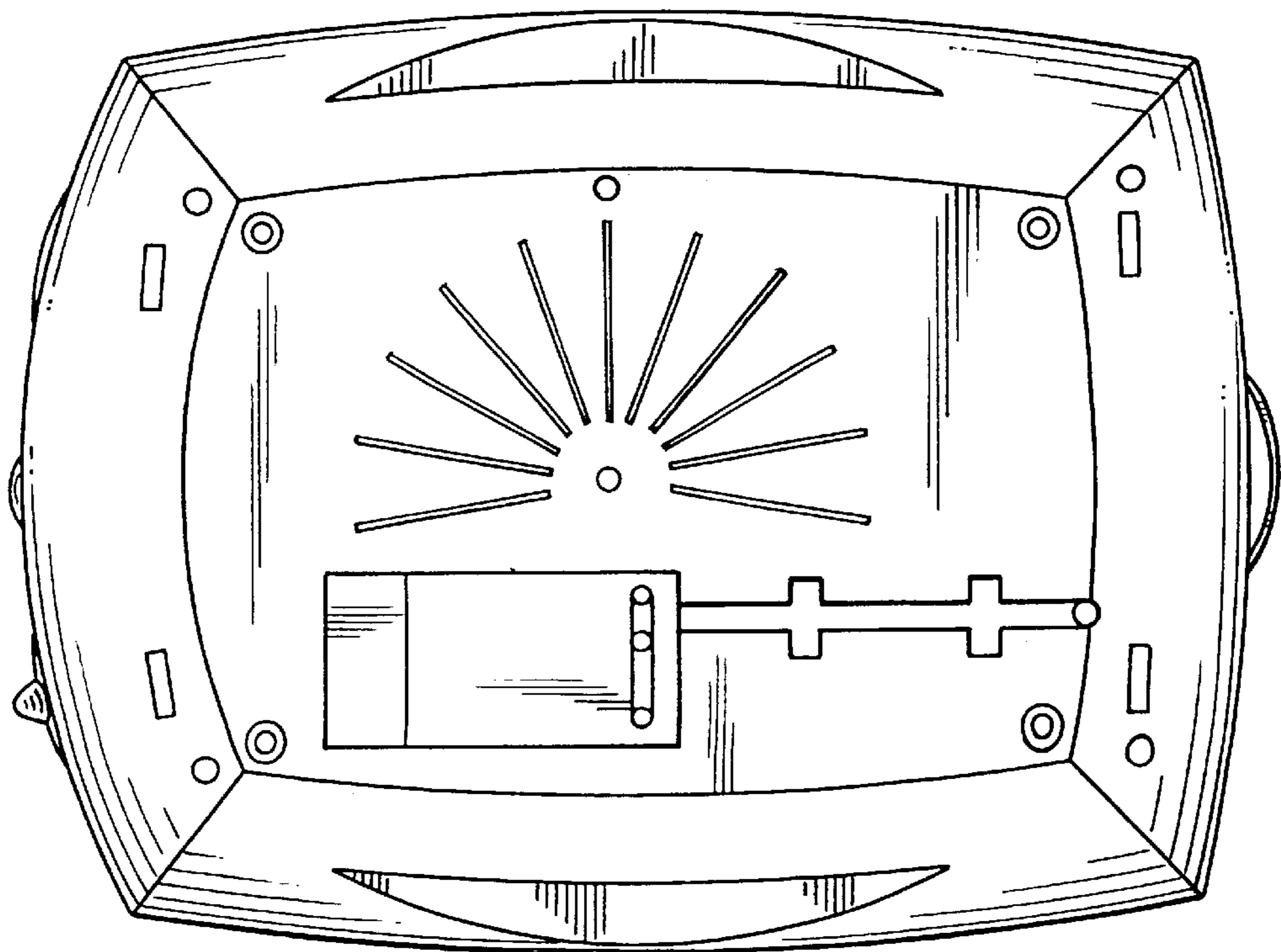


FIG. 5

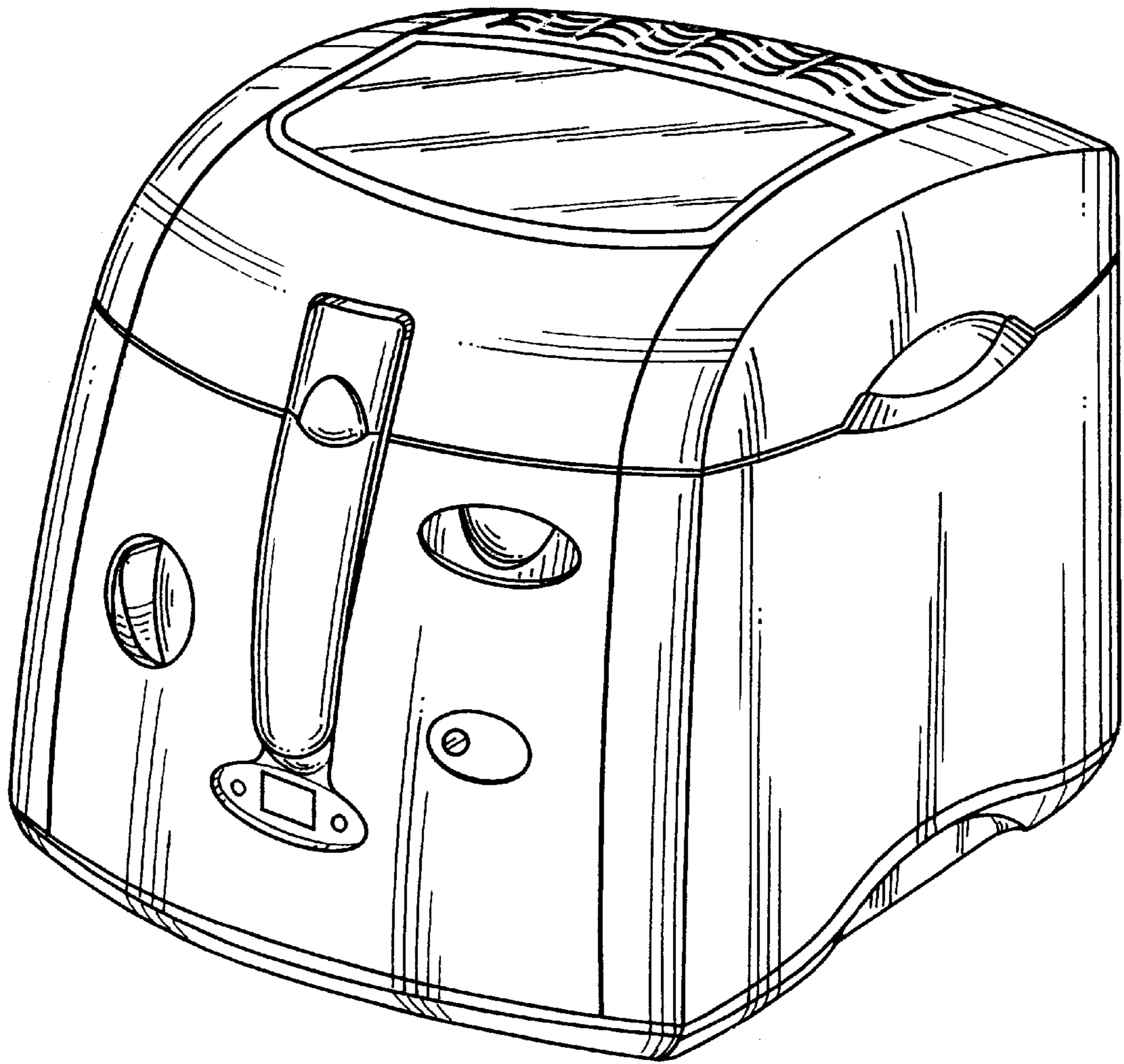


FIG. 6