



US00D422446S

# United States Patent [19] Kirk

[11] Patent Number: Des. 422,446

[45] Date of Patent: \*\* Apr. 11, 2000

[54] BARBECUE GRILL

[75] Inventor: Hesikeyer Kirk, Phoenix, Ariz.

[73] Assignee: Kirk Welding and Fabricating, L.L.C., Phoenix, Ariz.

[\*\*] Term: 14 Years

[21] Appl. No.: 29/097,322

[22] Filed: Dec. 3, 1998

[51] LOC (6) Cl. .... 07-02

[52] U.S. Cl. .... D7/334

[58] Field of Search ..... D7/332-338, 402-404;  
126/275 R, 275 E, 19 M, 19 R, 21 A, 25 R,  
25 A, 25 AA, 29-30, 9 R, 9 A, 9 B, 39 R,  
41 R, 40; 219/10.55 R, 10.55 A, 10.55 B,  
10.55 C, 403, 386; 99/340-341, 419, 421 R,  
421 H, 446, 450

[56] **References Cited**

U.S. PATENT DOCUMENTS

D. 203,088 11/1965 Bates ..... D7/334

D. 292,547 11/1987 Bayer ..... D7/332  
D. 293,067 12/1987 Stephen et al. .... D7/334  
D. 295,136 4/1988 Cox, Jr. .... D7/334  
D. 324,622 3/1992 Baynes et al. .... D7/334  
D. 362,153 9/1995 Home ..... D7/334  
D. 404,963 2/1999 Schlosser et al. .... D7/334  
D. 406,490 9/1999 Daniels et al. .... D7/404

Primary Examiner—Ruth McInroy  
Attorney, Agent, or Firm—Frank J. McGue

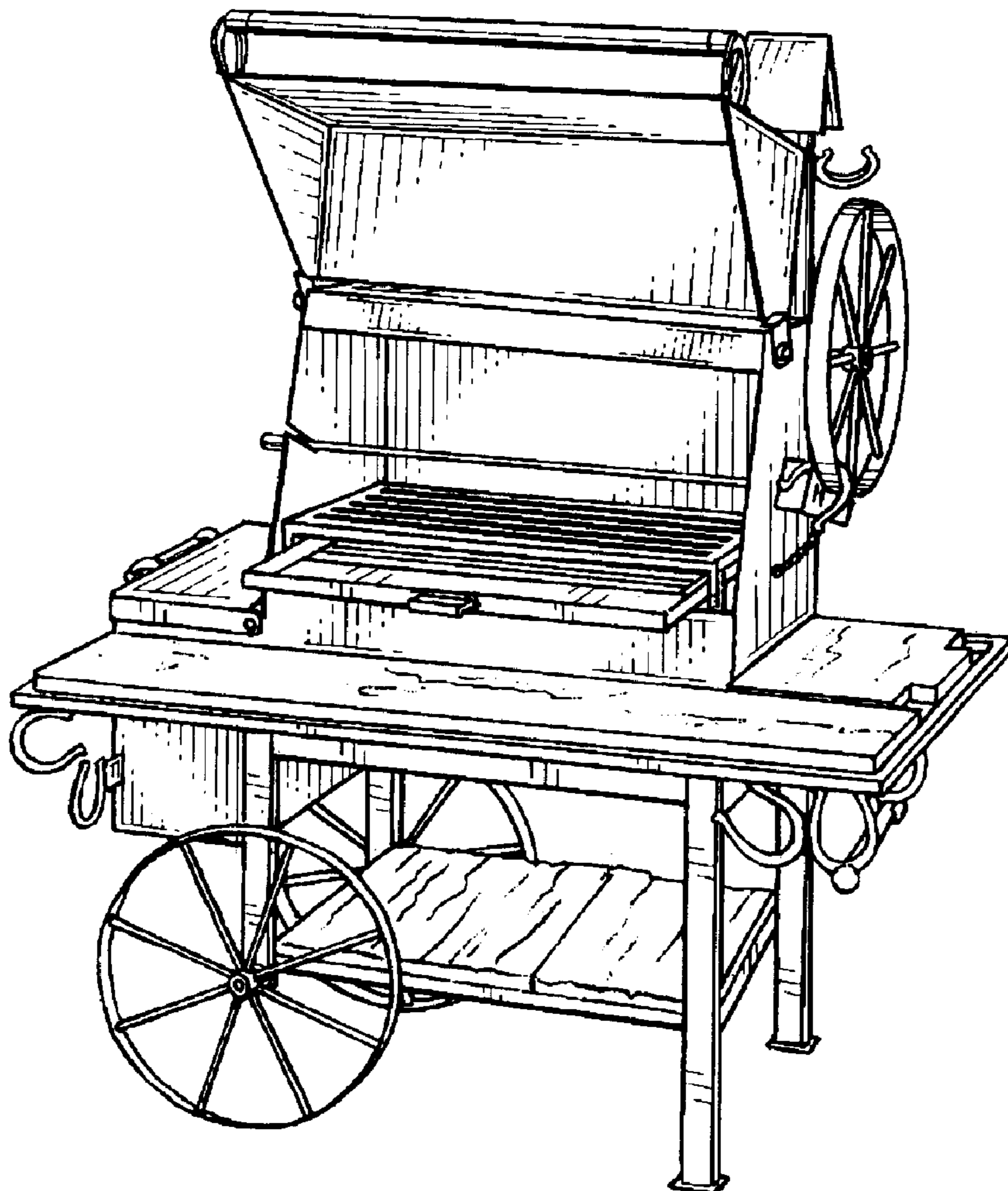
[57] **CLAIM**

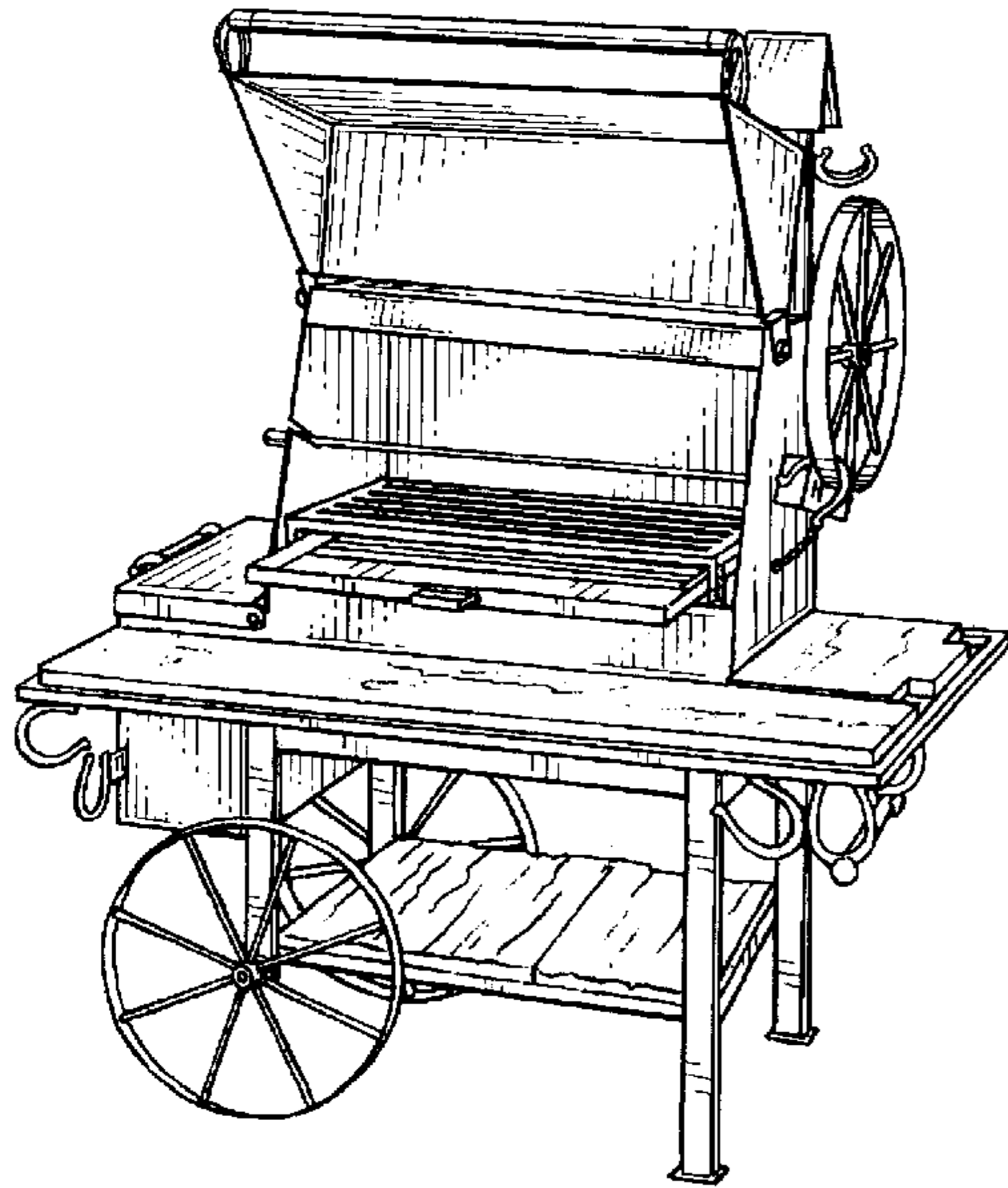
The ornamental design for a barbecue grill, as shown and described.

**DESCRIPTION**

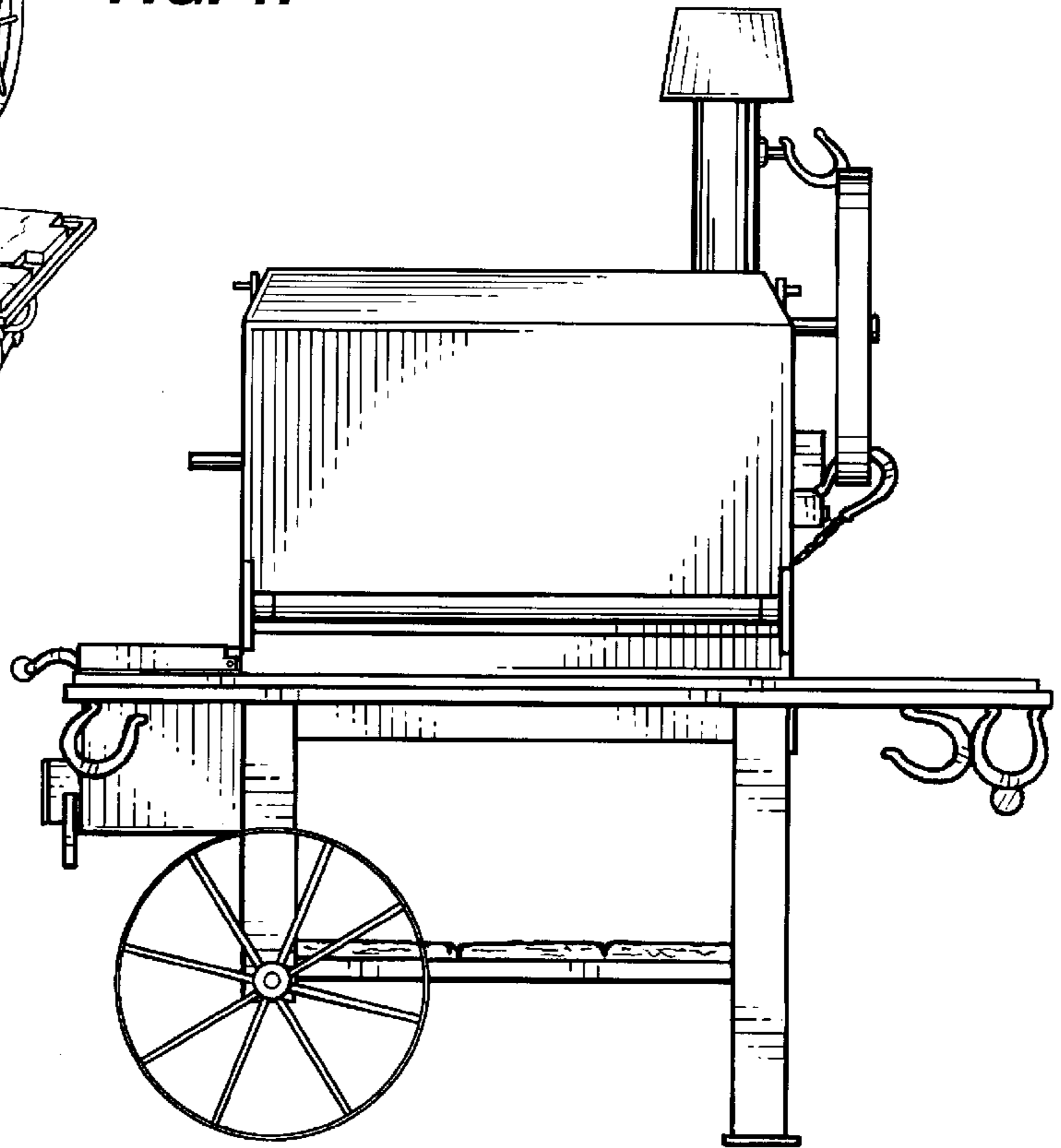
FIG. 1 is a perspective view of a barbecue grill showing my new design;  
FIG. 2 is a front view thereof;  
FIG. 3 is a rear view thereof;  
FIG. 4 is a top view thereof;  
FIG. 5 is a right side view thereof;  
FIG. 6 is a left side view thereof; and,  
FIG. 7 is a bottom view thereof.

1 Claim, 2 Drawing Sheets

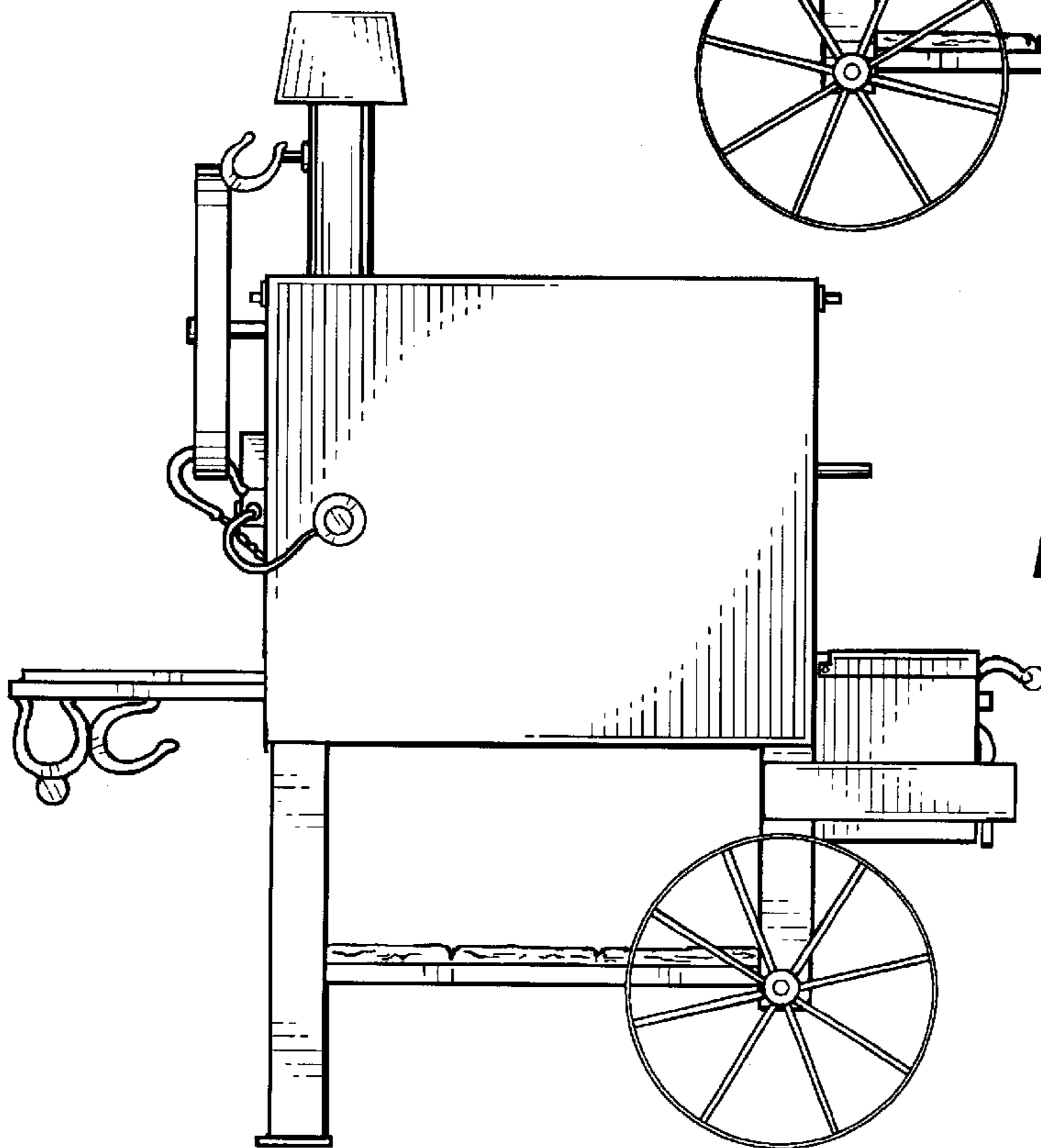




**FIG. 1.**



**FIG. 2.**



**FIG. 3.**

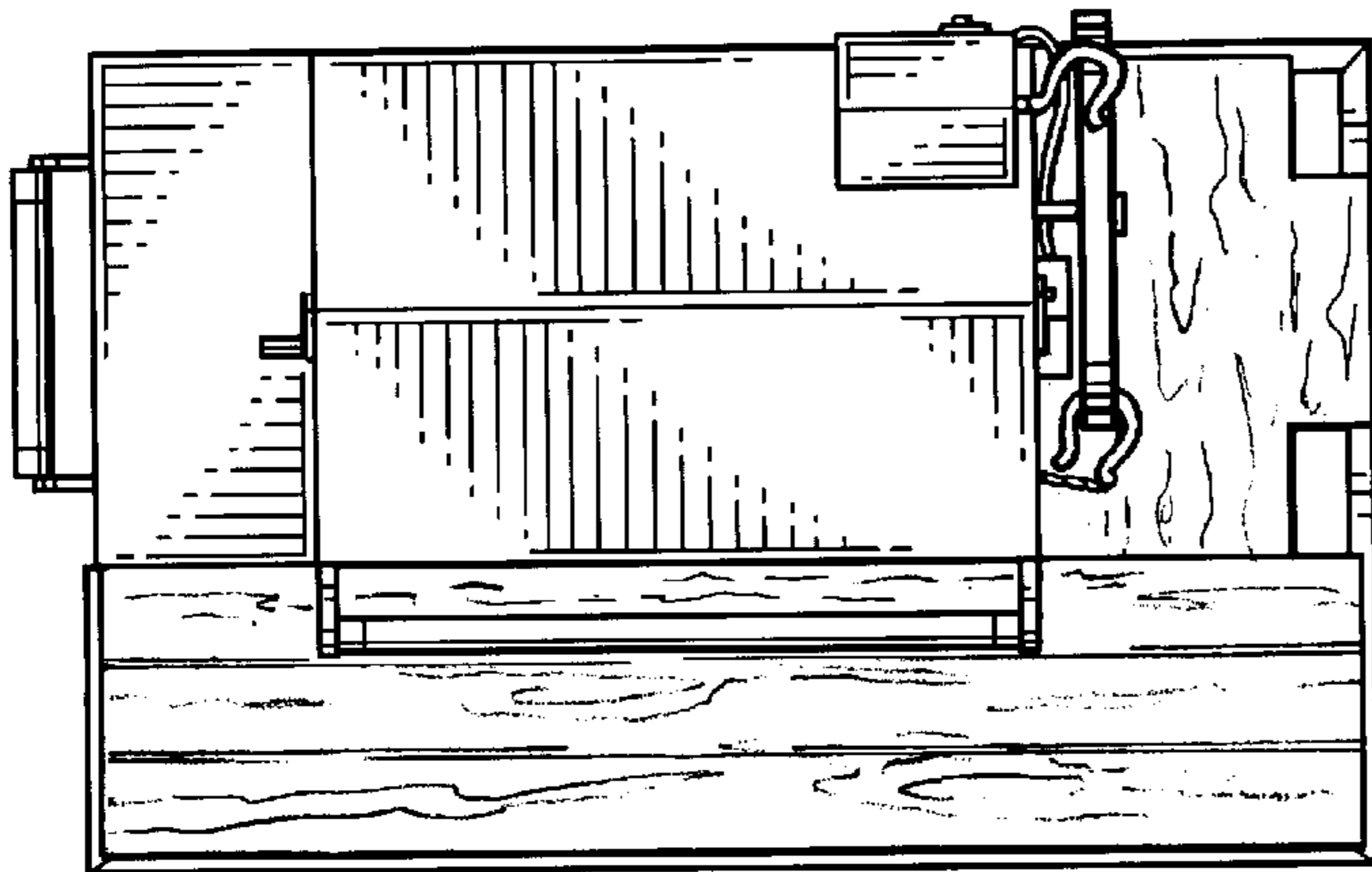


FIG. 4.

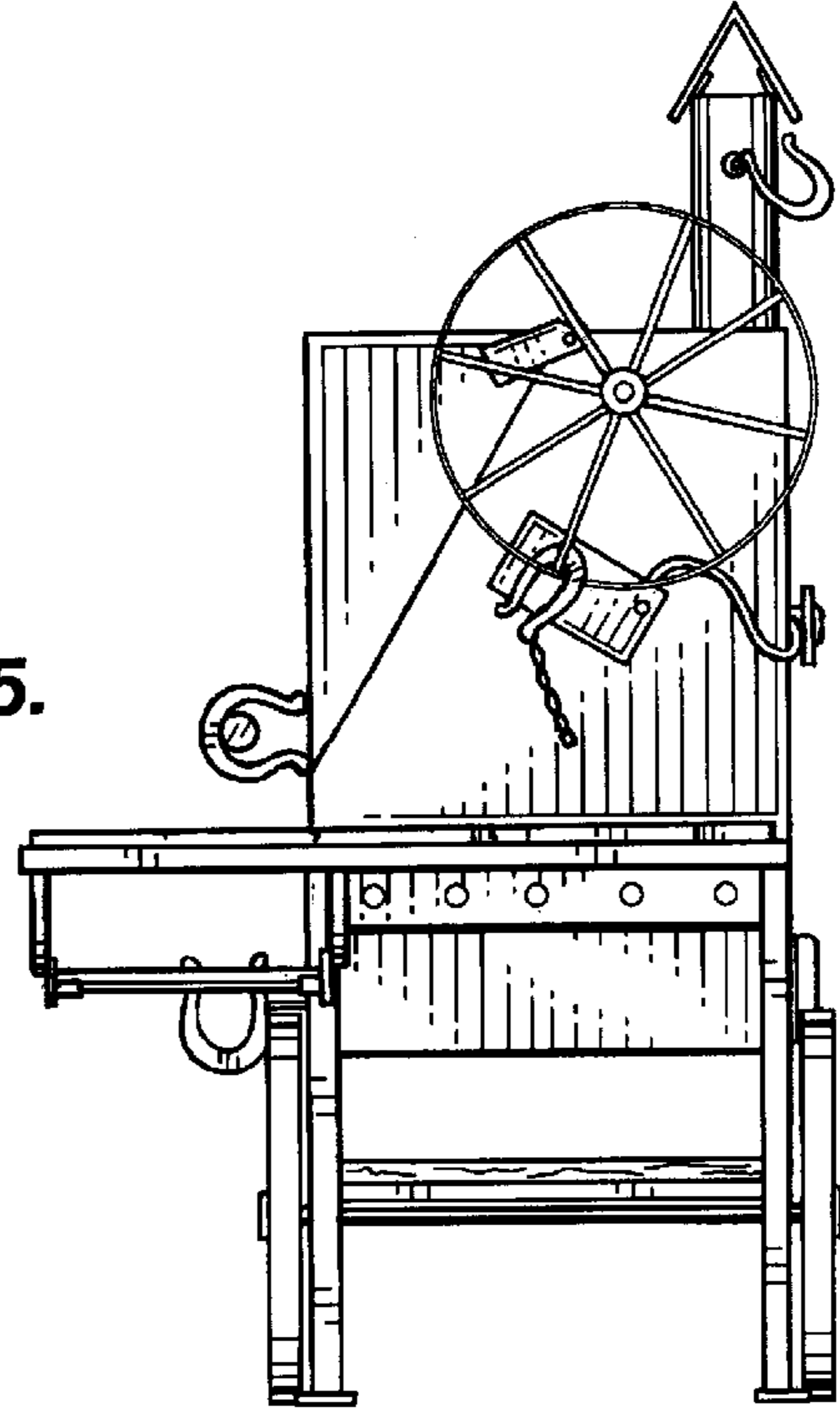


FIG. 5.

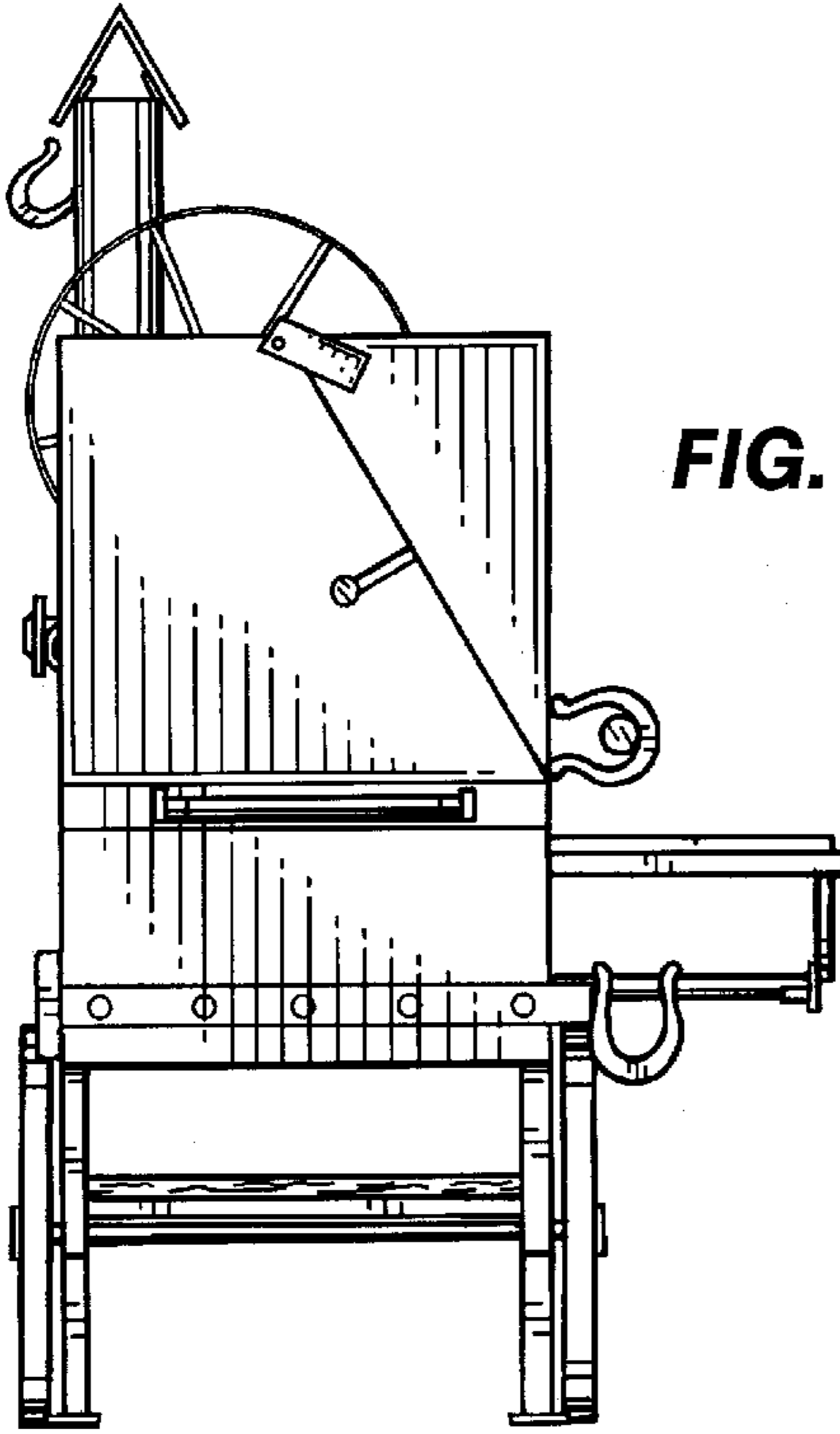


FIG. 6.

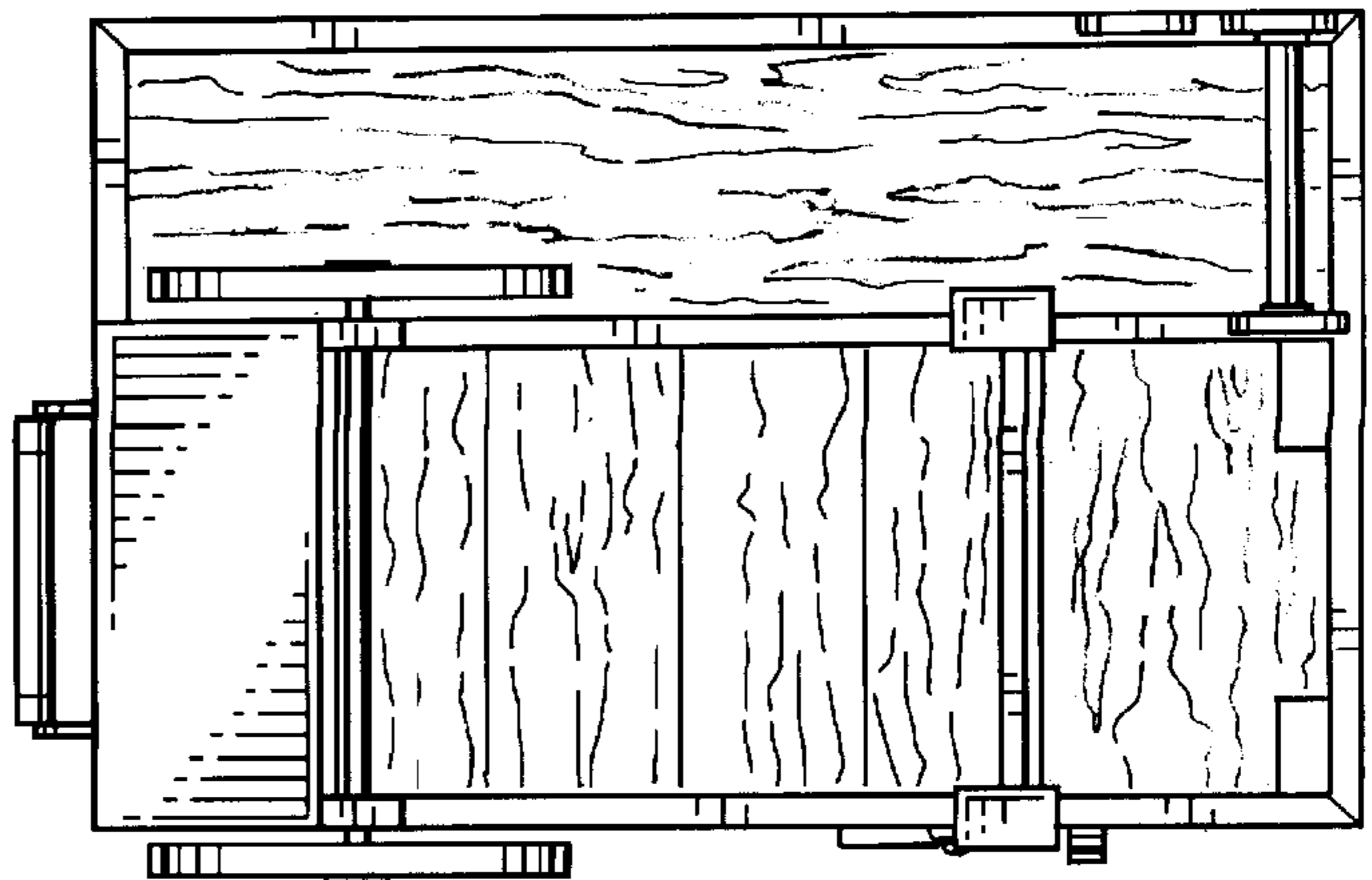


FIG. 7.