



US00D422441S

# United States Patent [19] Perelli

[11] **Patent Number: Des. 422,441**

[45] **Date of Patent: \*\* Apr. 11, 2000**

[54] **WALL-MOUNTED BABY CHANGING TABLE**

[75] Inventor: **Thomas Perelli**, Winchester, Va.

[73] Assignee: **Rubbermaid Commercial Products LLC**, Winchester, Va.

[\*\*] Term: **14 Years**

[21] Appl. No.: **29/092,788**

[22] Filed: **Aug. 27, 1998**

[51] **LOC (6) Cl.** ..... **08-08**

[52] **U.S. Cl.** ..... **D6/555**

[58] **Field of Search** ..... D6/555, 553, 574,  
D6/567, 569, 559; 312/114, 126, 128-129,  
204, 231, 234, 242, 245; 211/13.1, 14,  
34-35, 69.1, 70.6, 70.7, 90

[56] **References Cited**

**U.S. PATENT DOCUMENTS**

D. 139,753	12/1944	Adams	.....	D80/5
D. 164,744	10/1951	Thomson	.....	D80/9
D. 174,785	5/1955	Tompkins, Jr.	.....	D33/3
D. 179,871	3/1957	Wrablica, Jr.	.....	D33/19
D. 225,803	1/1973	Moore	.....	D6/6
D. 244,072	4/1977	Schaecher	.....	D6/128
D. 284,723	7/1986	Morris et al.	.....	D6/560
D. 287,800	1/1987	Lance	.....	D6/559
D. 302,088	7/1989	Burt	.....	D6/555
D. 314,112	1/1991	Dainty	.....	D6/555
D. 326,384	5/1992	Burt et al.	.....	D6/555
D. 382,432	8/1997	Perelli	.....	D6/555
544,588	8/1895	Pattiani	.	
2,203,538	6/1940	Meilink	.....	311/19
2,735,737	2/1956	Hancock	.....	311/2
2,774,640	12/1956	Harmon et al.	.....	311/21
4,155,609	5/1979	Skafta et al.	.....	312/245
4,304,447	12/1981	Ellwood et al.	.....	312/204

**OTHER PUBLICATIONS**

Pp. 2 and 3, Wall-mounted baby changing tables; Safe-strap Company, Inc., 180 Old Tappan Road, Building 6, Old Tappan, New Jersey 07675. Published at least as early as Dec., 1995.

Installation instructions (2 pages), Wall-mounted baby changing table; Koala Corporation, 4390 McMenemy Street, St. Paul, Minnesota 55127-6004. Publication date 1994.

Sell sheet, Wall-mounted baby changing table; Brocar Products, Inc., P. O. Box 68024, Cincinnati, Ohio 45206. Published at least as early as 1994.

Sell sheet, Wall-mounted baby changing table; Brocar Products, Inc., P. O. Box 68024, Cincinnati, Ohio 45206. Published at least as early as 1994.

Sell sheet, Wall-mounted baby changing table; American Infant Care Products Inc., 21150 Excelsior Boulevard, Greenwood, Minnesota 55331. Published at least as early as 1995.

Sell sheet, Wall-mounted baby changing table; Four D, Inc. P. O. Box 24326, Apple Valley, Minnesota 55124. Published at least as early as 1994.

Sell sheet, Baby changing table; Four D, Inc. P. O. Box 24326, Apple Valley, Minnesota 55124. Published at least as early as 1994.

Sell sheet, Wall-mounted baby changing table; Four D, Inc. P. O. Box 24326, Apple Valley, Minnesota 55124. Published at least as early as 1994.

*Primary Examiner*—Brian N. Vinson  
*Attorney, Agent, or Firm*—Richard B. O’Planick

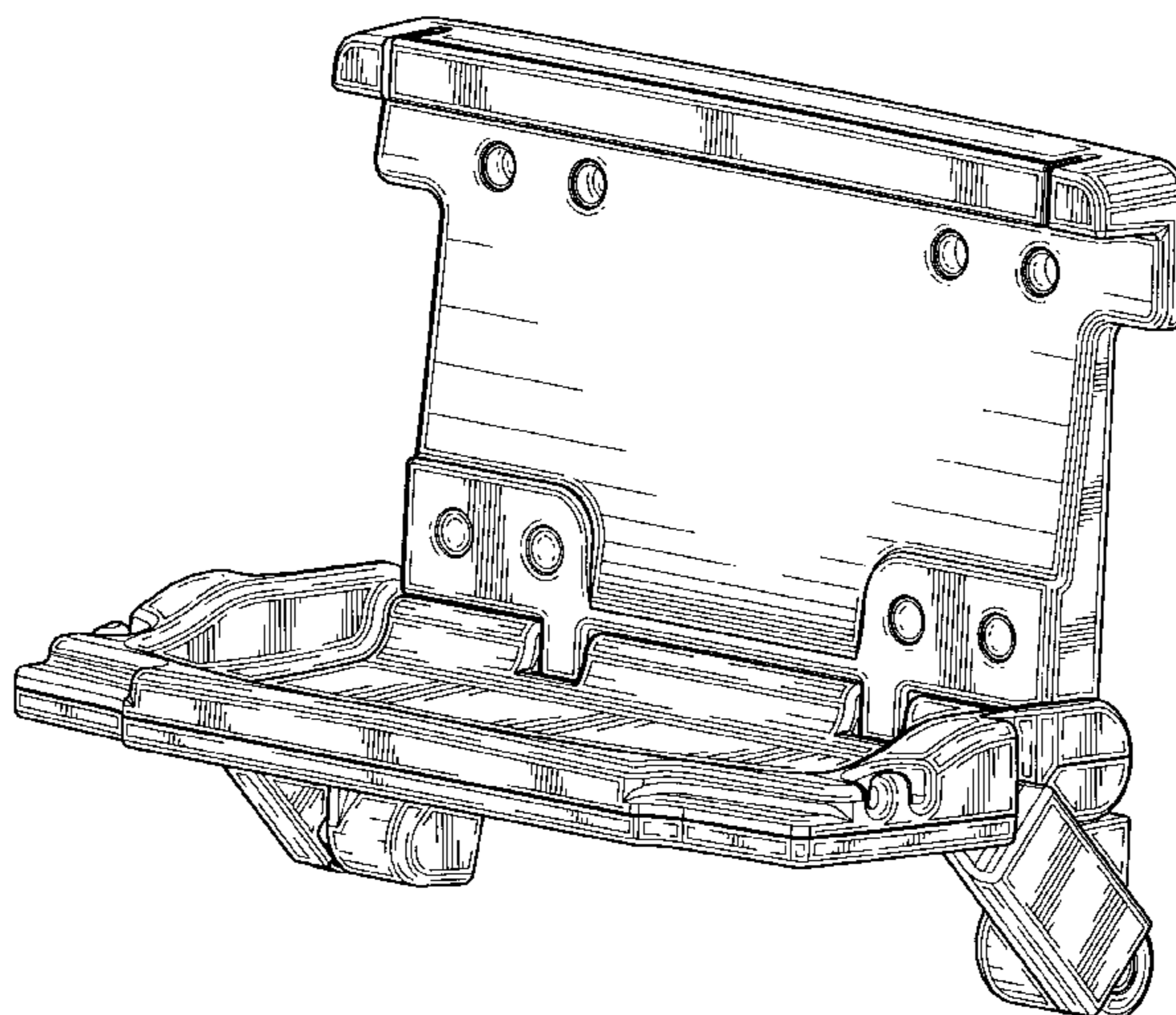
[57] **CLAIM**

The ornamental design for a wall-mounted baby changing table, as shown and described.

**DESCRIPTION**

FIG. 1 is a top right front perspective view of a wall-mounted baby changing table showing my new design; FIG. 2 is a top plan view thereof; FIG. 3 is a bottom plan view thereof; FIG. 4 is a front elevational view thereof; FIG. 5 is a left side elevational view thereof; the right side elevational view being a mirror image; and, FIG. 6 is a rear elevational view thereof.

**1 Claim, 6 Drawing Sheets**



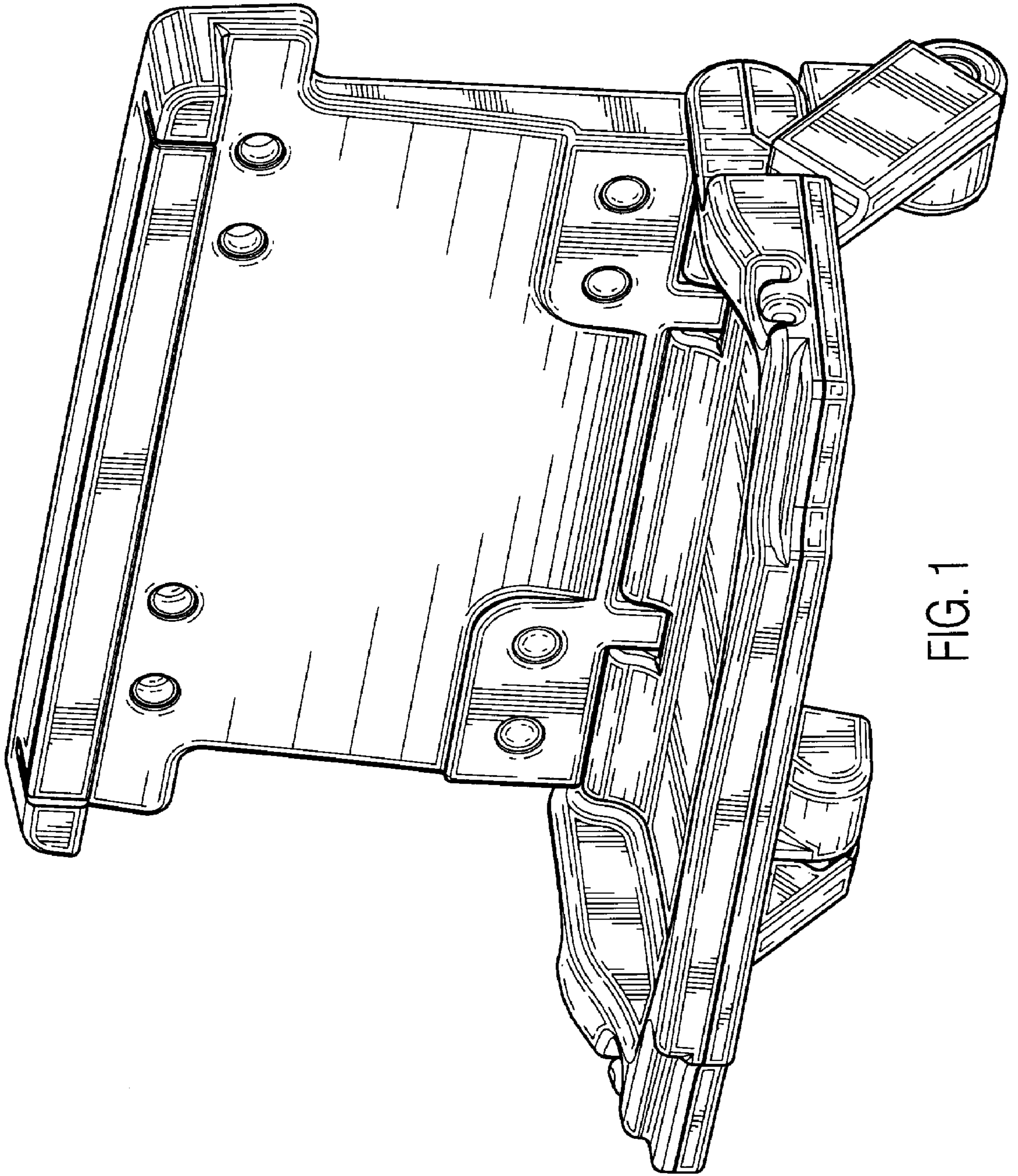


FIG. 1

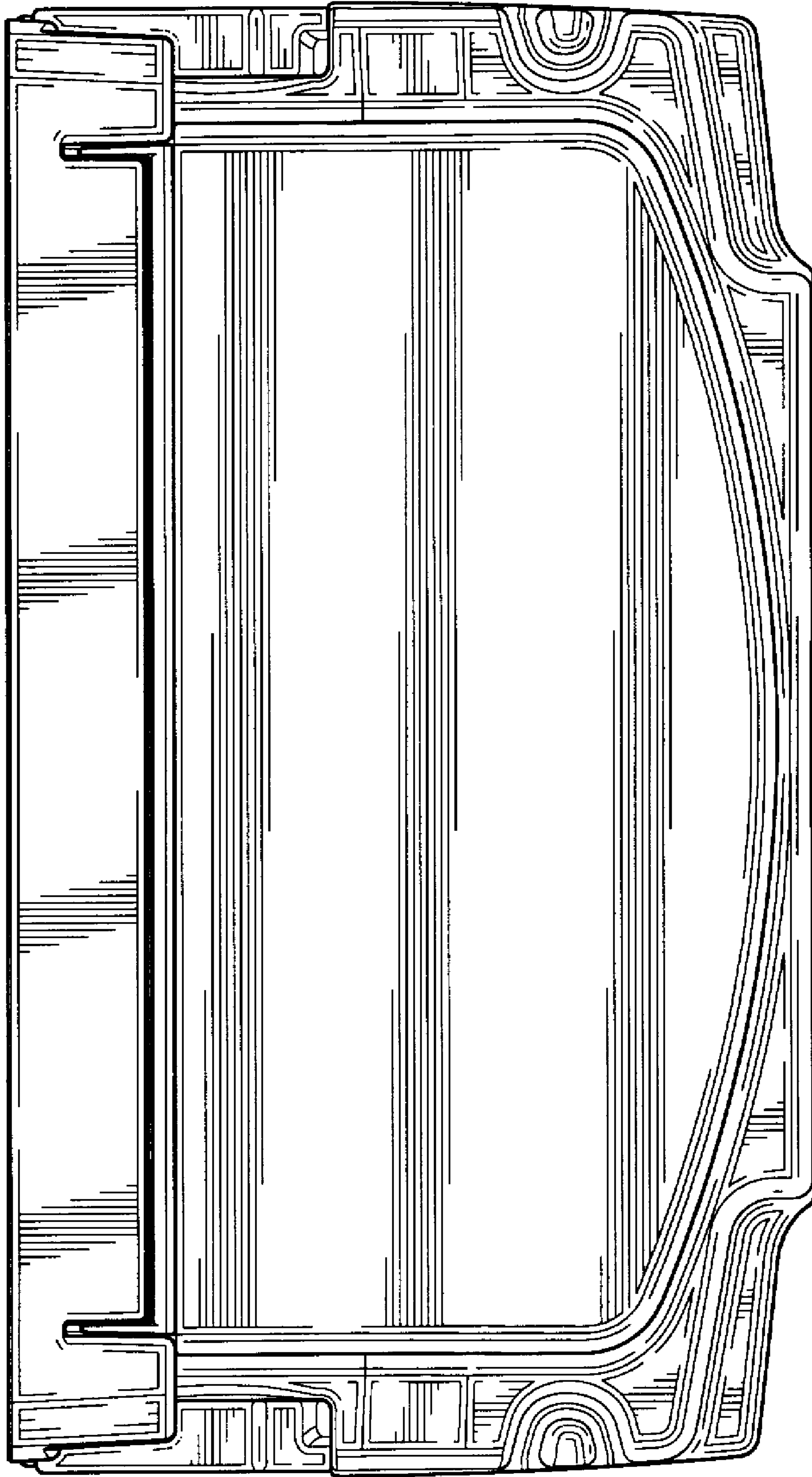


FIG. 2

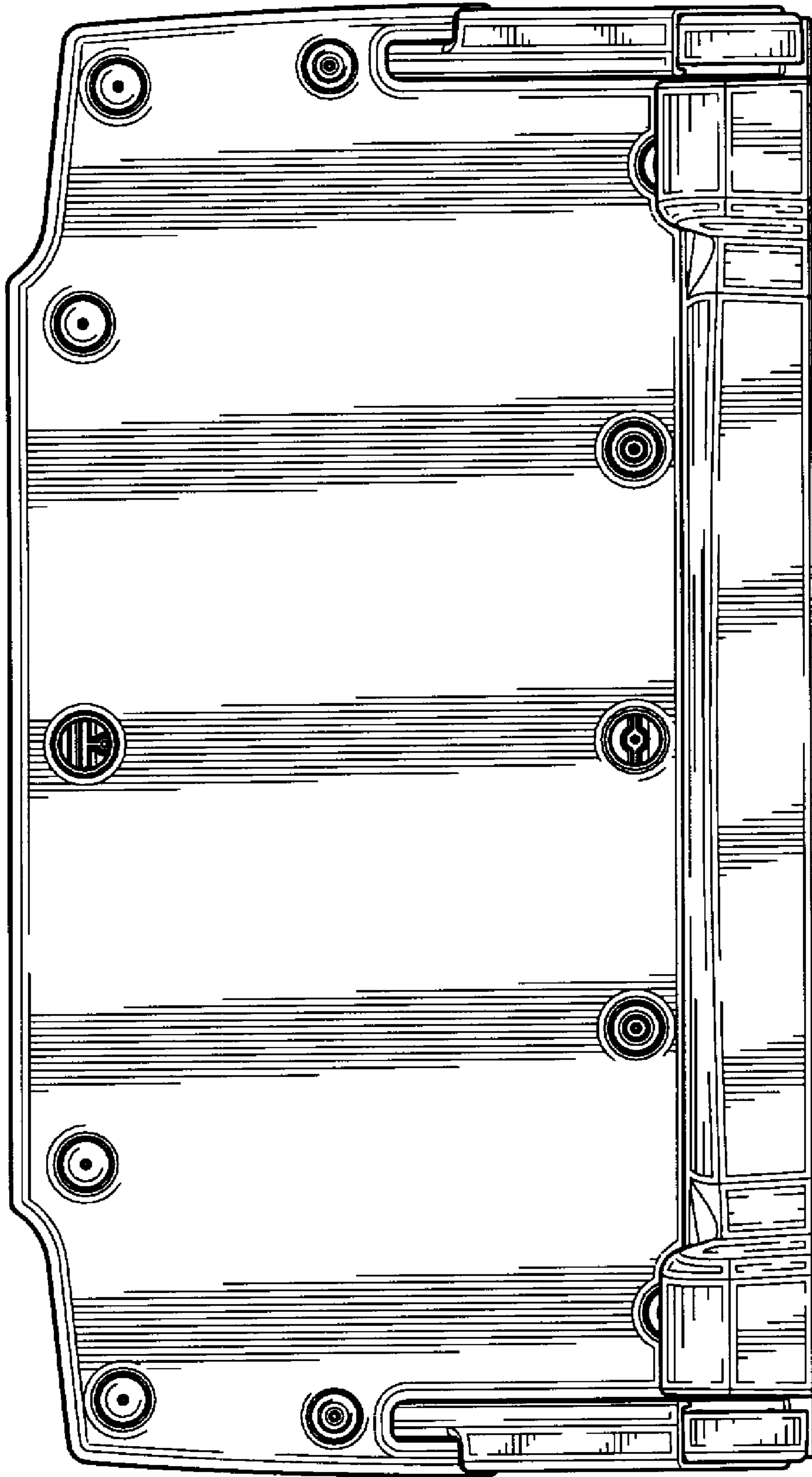


FIG. 3

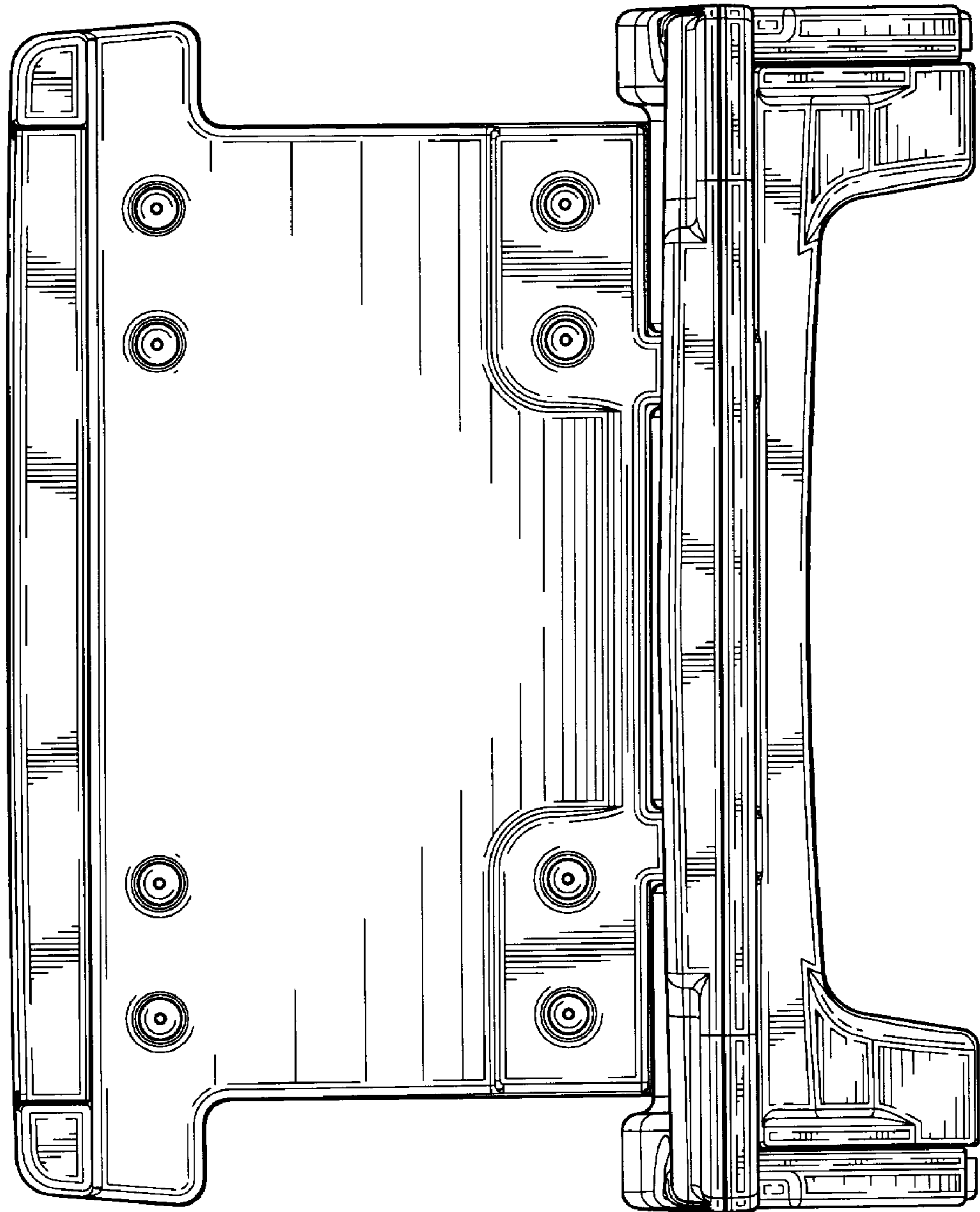


FIG. 4

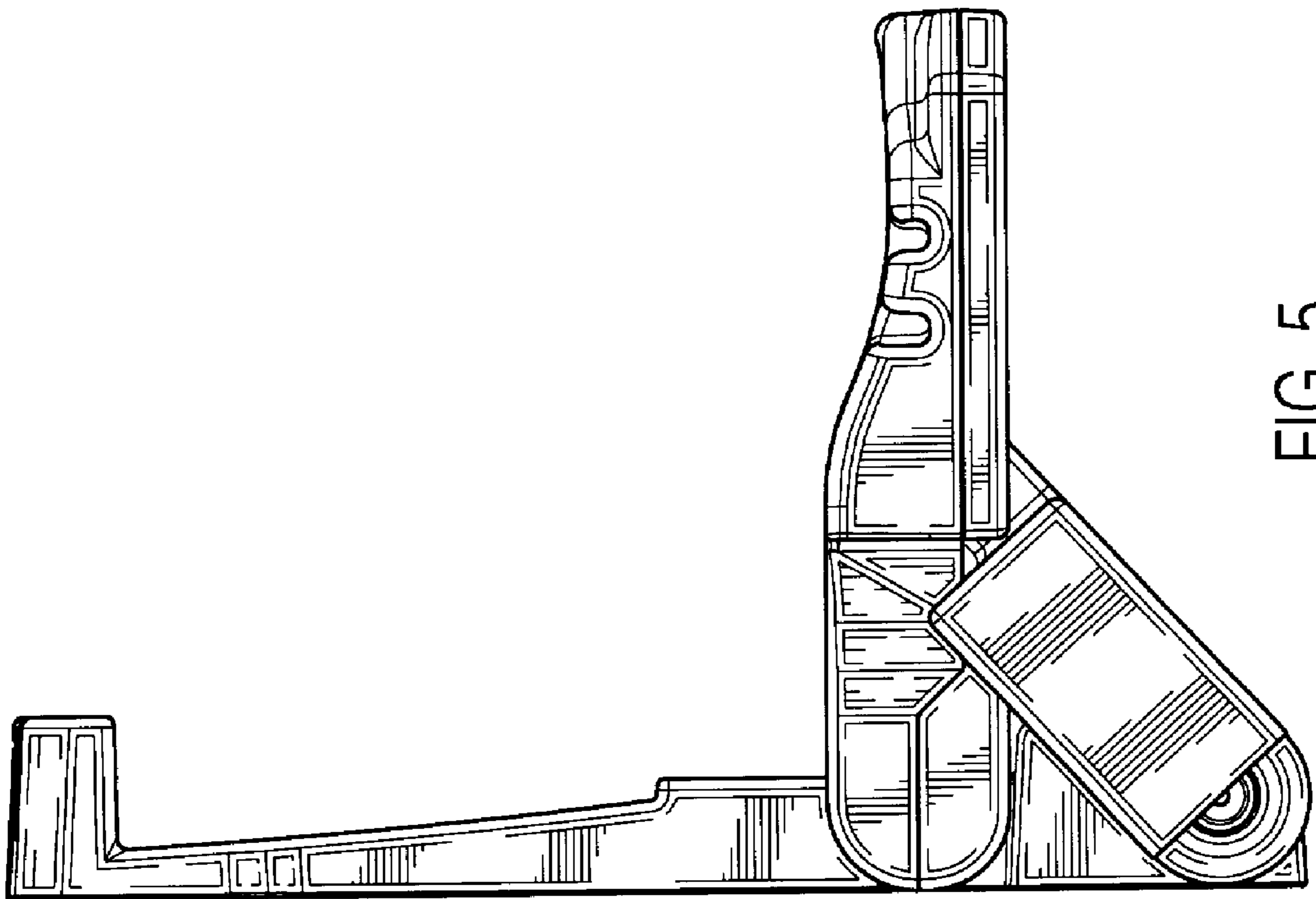


FIG. 5

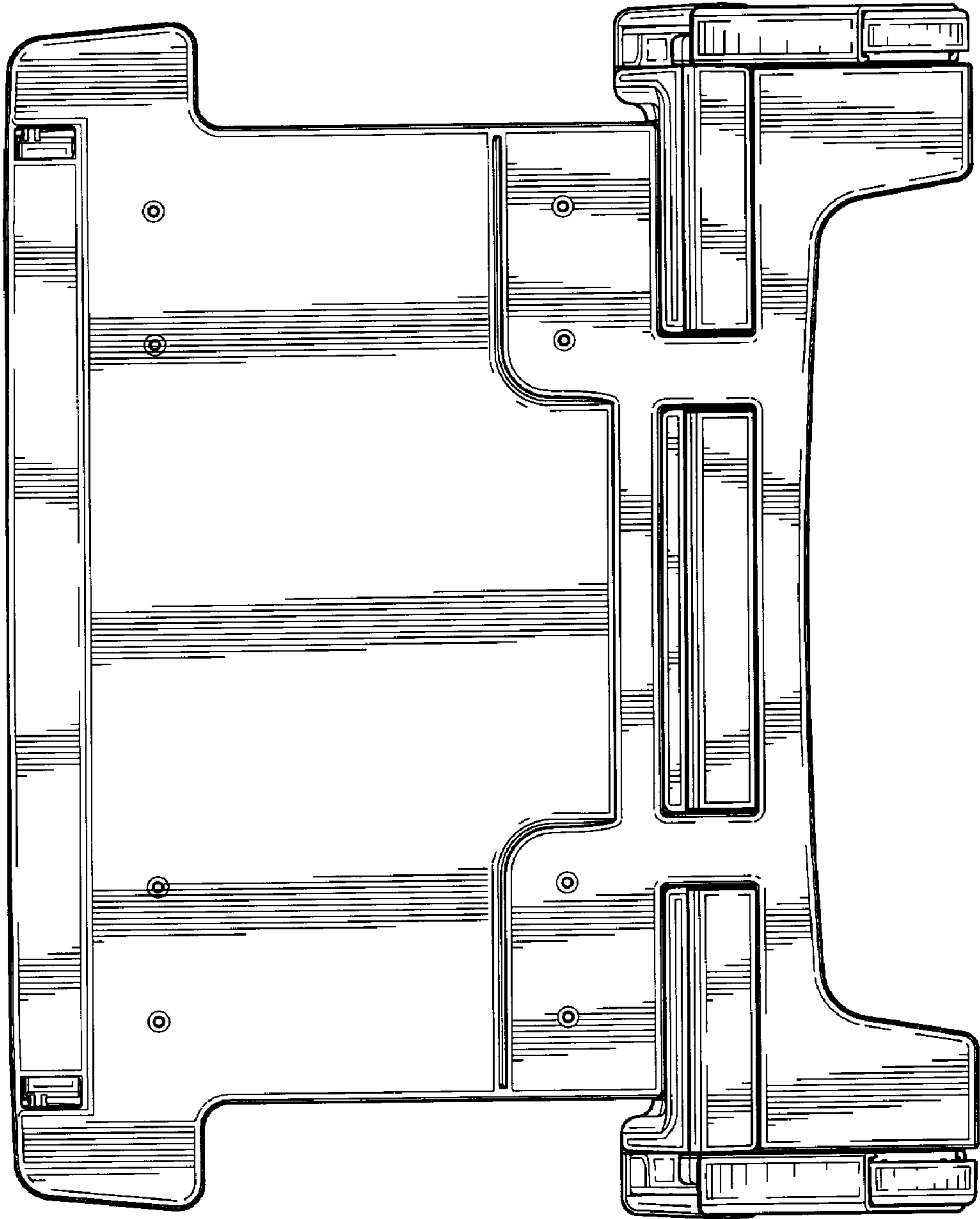


FIG. 6