



US00D422439S

United States Patent [19]
Chen

[11] **Patent Number: Des. 422,439**

[45] **Date of Patent: ** Apr. 11, 2000**

[54] **GOLF BALL RACK**

[76] Inventor: **Sen-Yuan Chen**, P.O. Box 7-820,
Taipei, Taiwan

[**] Term: **14 Years**

[21] Appl. No.: **29/098,834**

[22] Filed: **Jan. 4, 1999**

[51] **LOC (6) Cl.** **08-08**

[52] **U.S. Cl.** **D6/552**

[58] **Field of Search** D6/552, 567, 569,
D6/570, 396, 449, 459, 477; 206/315.9;
211/13.1, 14, 86-88, 126.1, 134; 248/309.1,
310, 314

[56] **References Cited**

U.S. PATENT DOCUMENTS

D. 366,584 1/1996 Ellis D6/552
D. 386,925 12/1997 Hogan D6/552

D. 401,459 11/1998 Tate D6/552
D. 405,293 2/1999 Tate D6/552 X
5,746,332 5/1998 Kleinschmidt 211/14 X

Primary Examiner—Brian N. Vinson

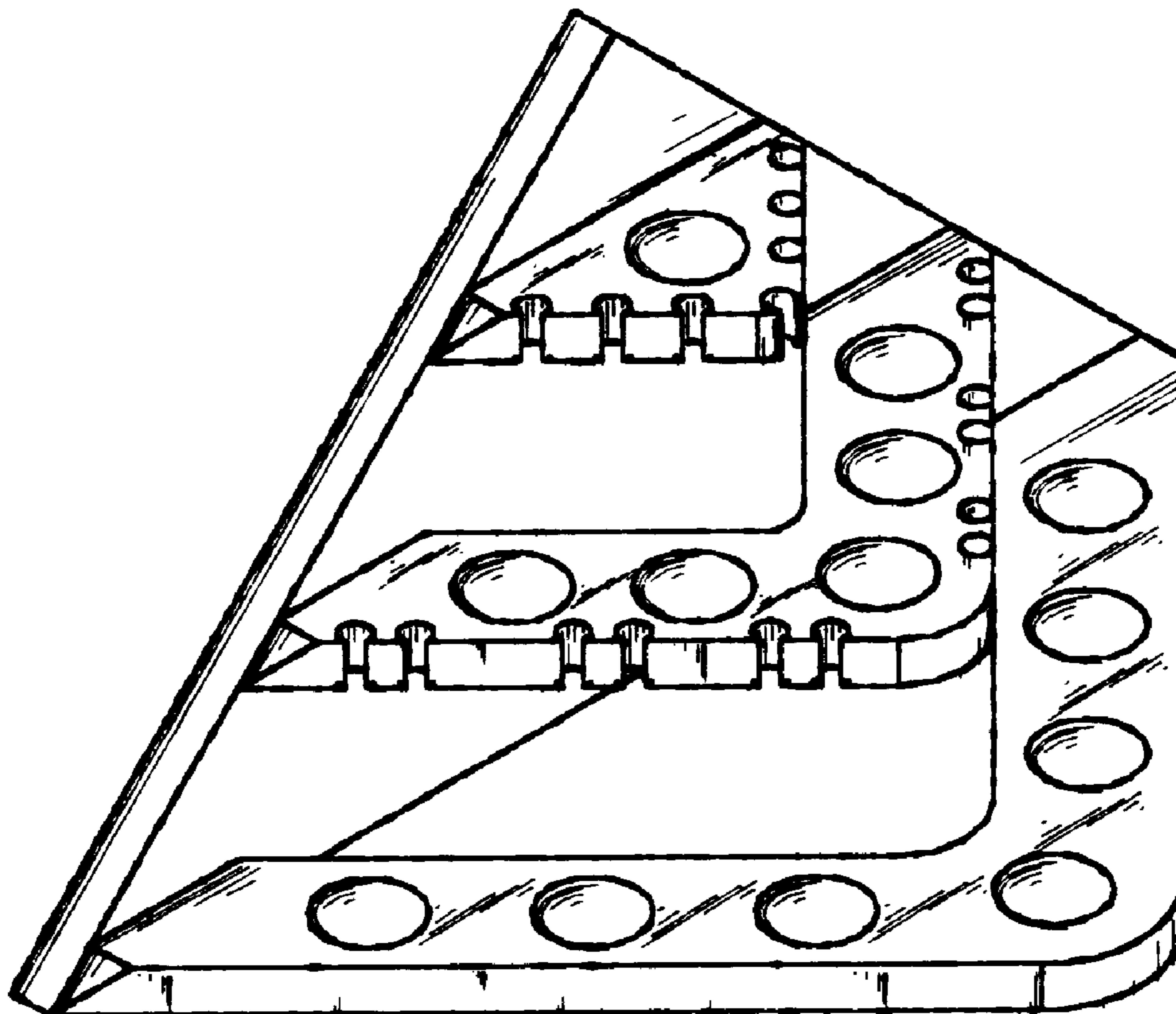
[57] **CLAIM**

The ornamental design for a golf ball rack, as shown and described.

DESCRIPTION

FIG. 1 is a perspective view of a golf ball rack showing my new design;
FIG. 2 is a front view thereof;
FIG. 3 is a rear view thereof;
FIG. 4 is a left side elevational view thereof;
FIG. 5 is a right side elevational view thereof;
FIG. 6 is a top plan view thereof; and,
FIG. 7 is a bottom plan view thereof.

1 Claim, 4 Drawing Sheets



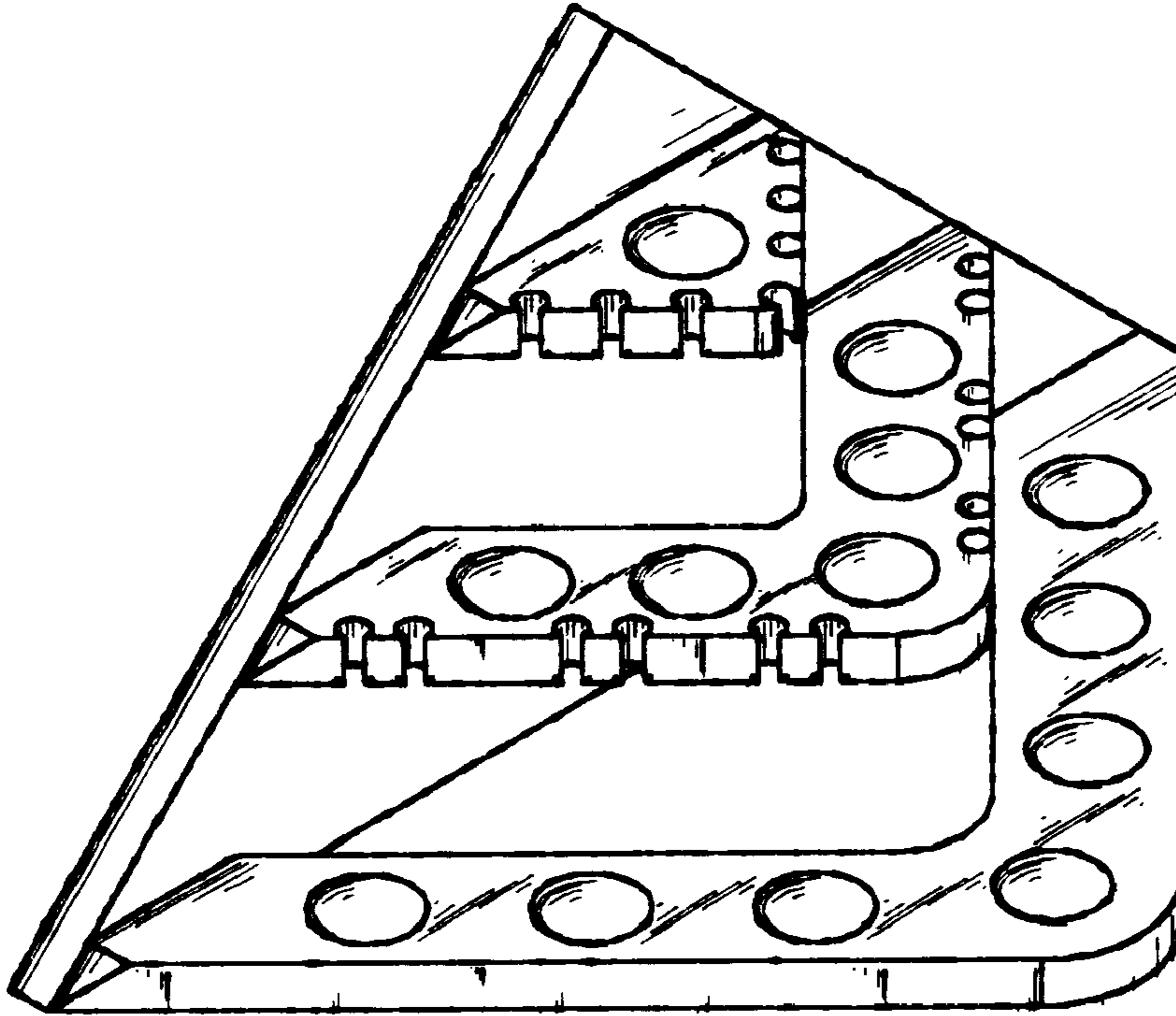


FIG. 1

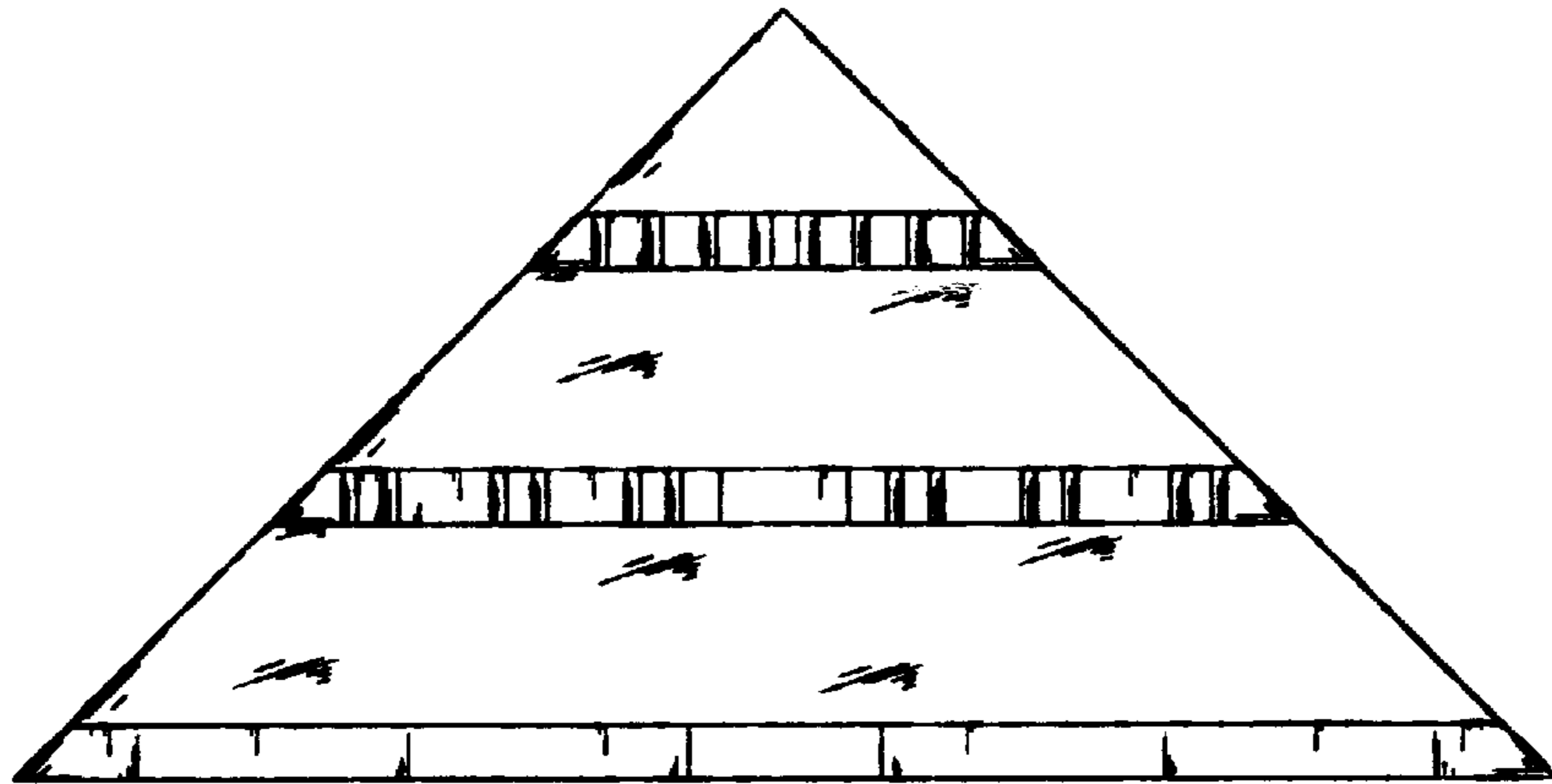


FIG. 2

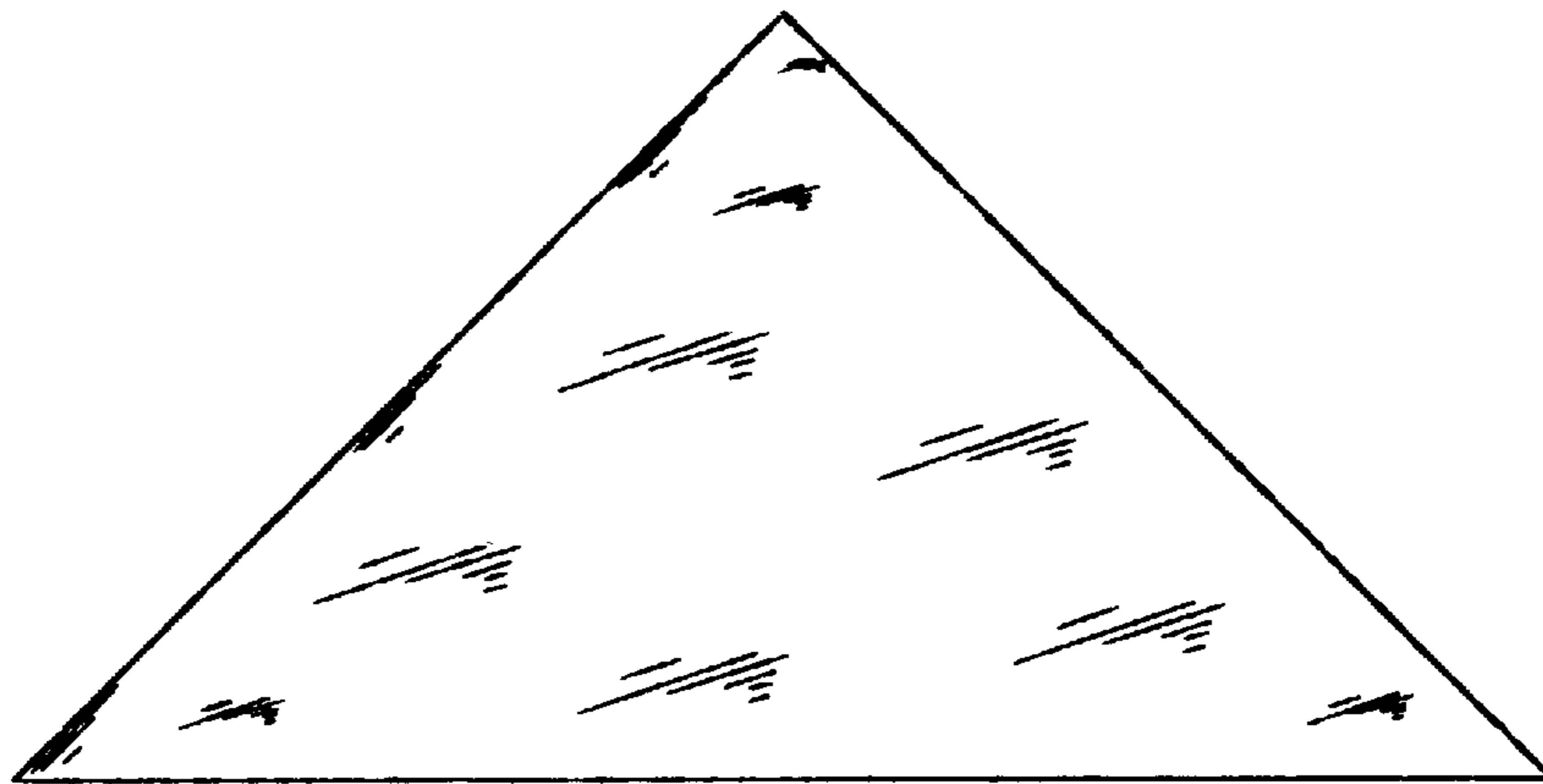


FIG. 3

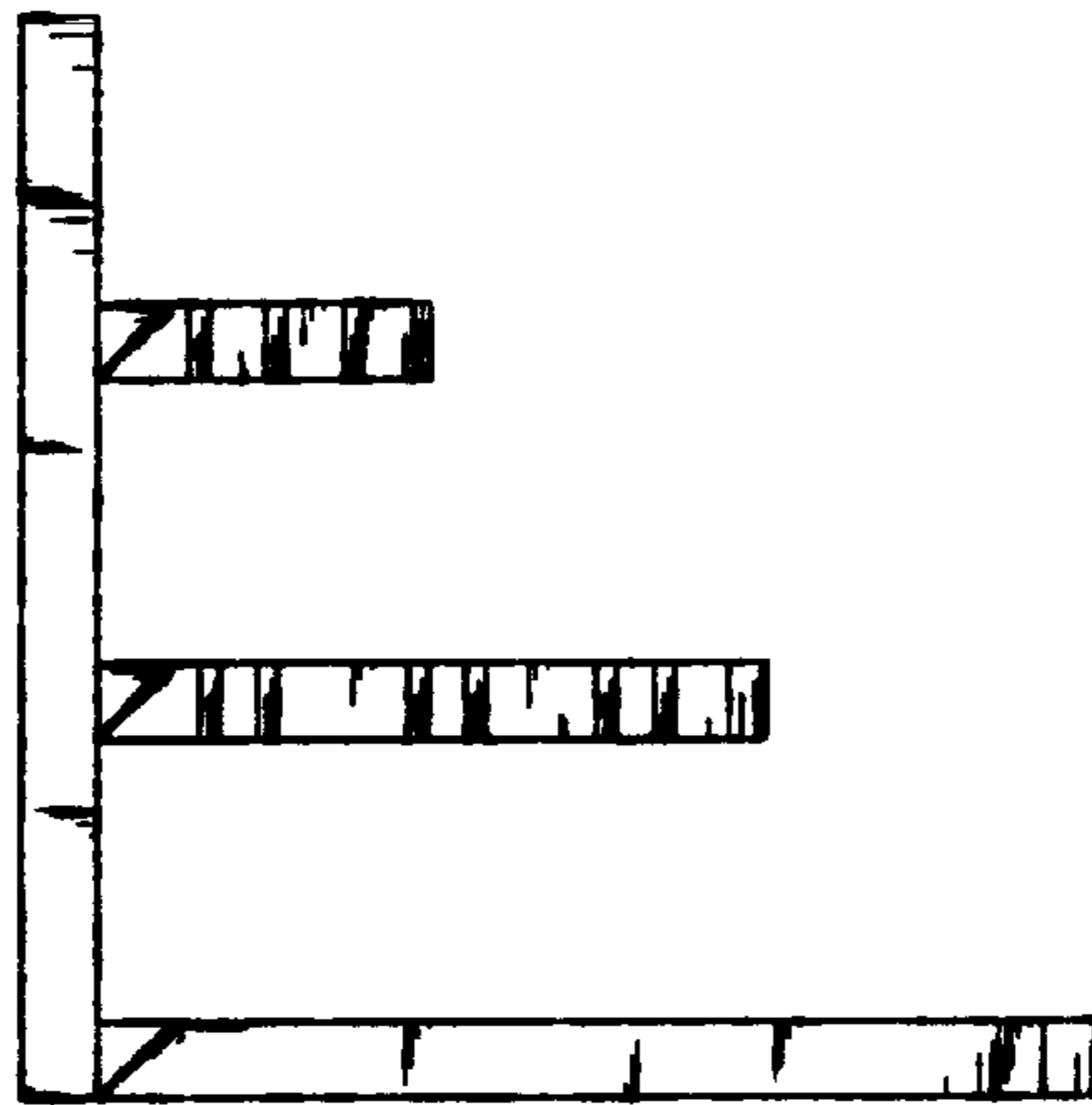


FIG. 4

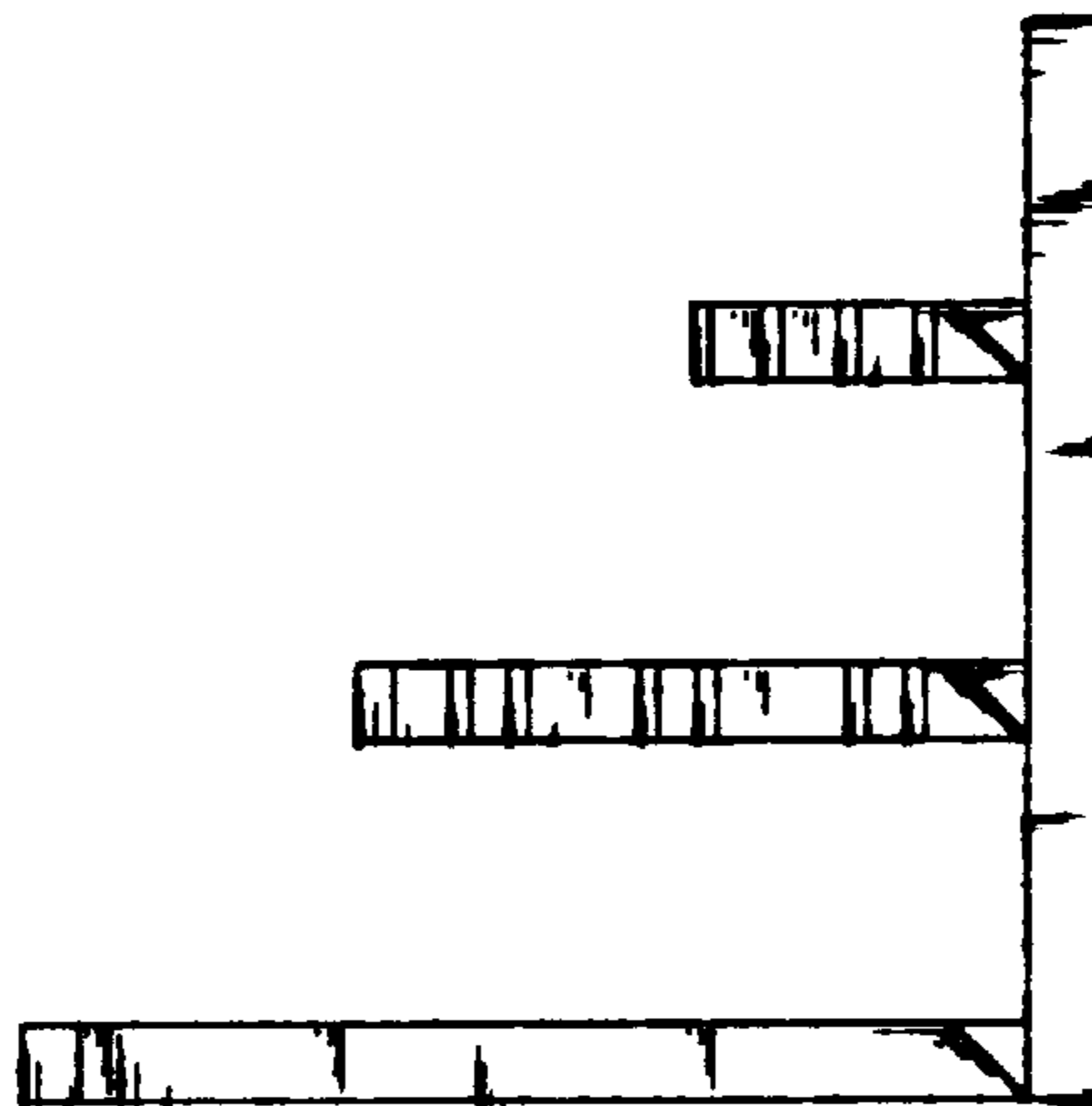


FIG. 5

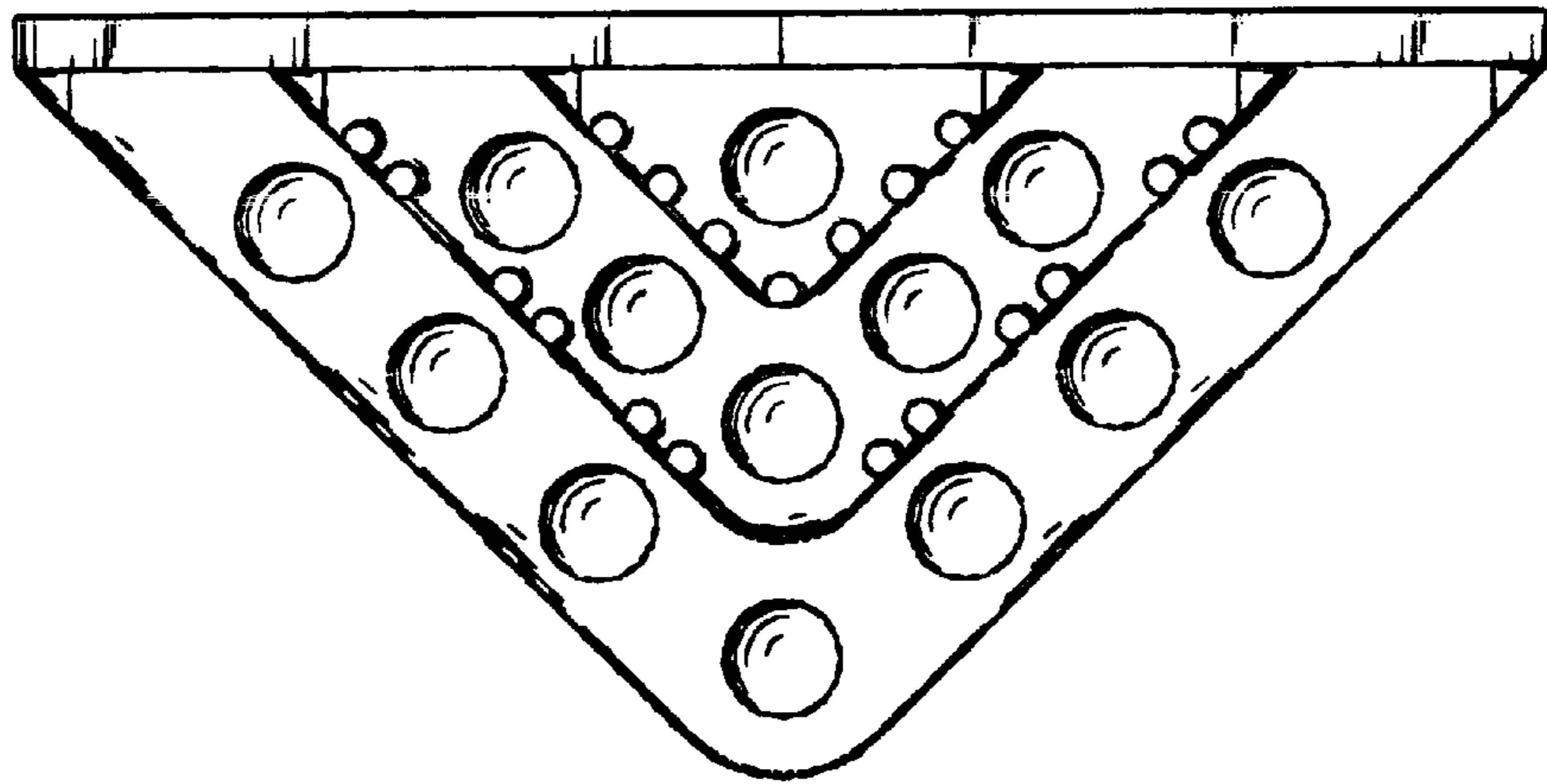


FIG. 6

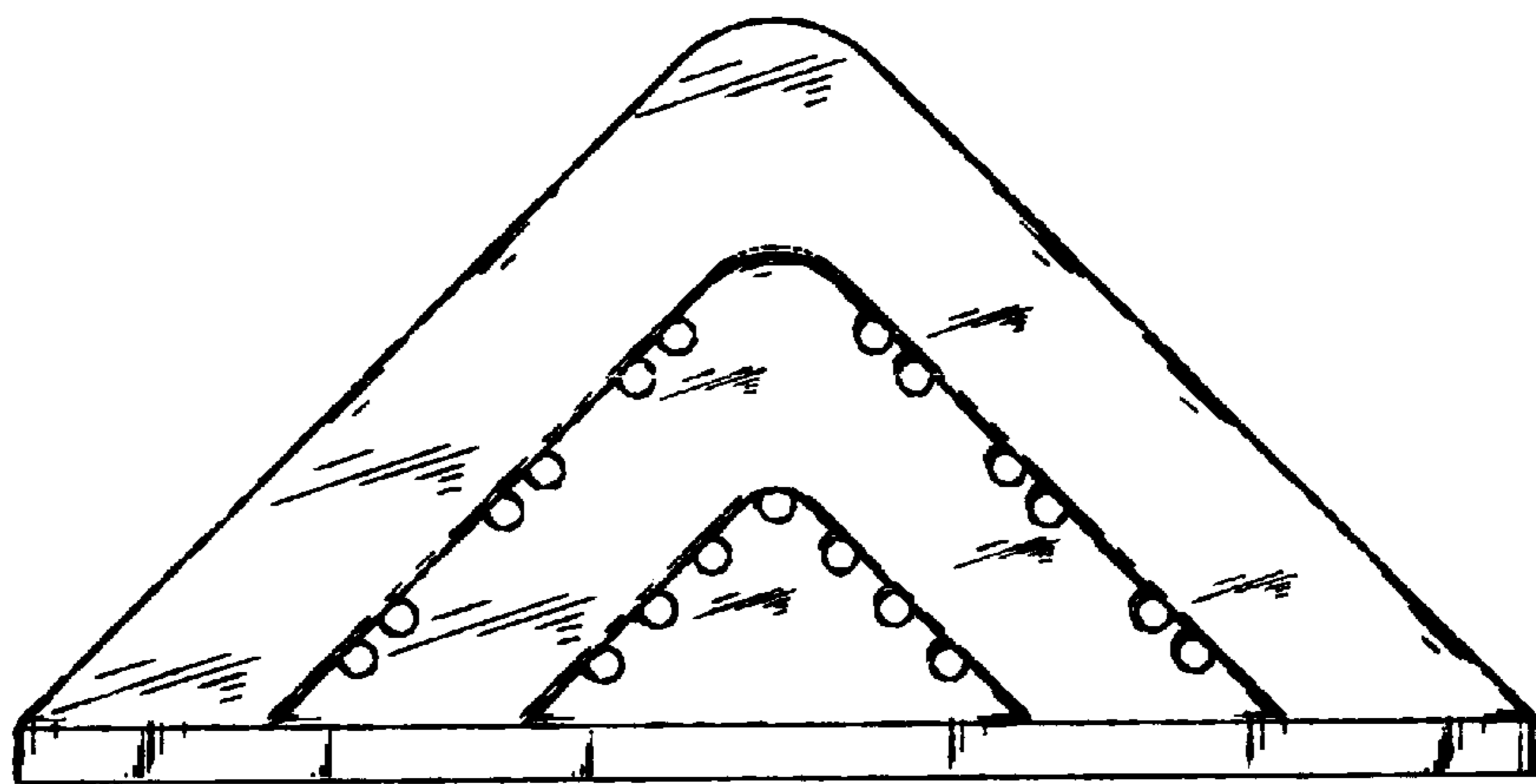


FIG. 7