



US00D422438S

United States Patent [19] Saldivar

[11] **Patent Number: Des. 422,438**

[45] **Date of Patent: ** Apr. 11, 2000**

[54] **BOW AND ARROW DISPLAY RACK**

D. 339,259 9/1993 Kocon D6/552
D. 375,645 11/1996 Foster et al. D6/552

[76] Inventor: **Randy L. Saldivar**, 14900
Nacogdoches #3103, San Antonio, Tex.
78247

Primary Examiner—Kay H. Chin

[**] Term: **14 Years**

[57] **CLAIM**

The ornamental design for a bow and arrow display rack, as shown and described.

[21] Appl. No.: **29/088,490**

DESCRIPTION

[22] Filed: **May 26, 1998**

[51] **LOC (6) Cl.** **08-08**

[52] **U.S. Cl.** **D6/552**

[58] **Field of Search** D6/300, 303, 512,
D6/552, 553, 567, 569, 570; 211/13.1,
14, 86.01

FIG. 1 is a front elevational view of the bow and arrow display rack showing my new design;
FIG. 2 is a rear elevational view thereof;
FIG. 3 is a right side view thereof;
FIG. 4 is a left side view thereof;
FIG. 5 is a top plan view thereof;
FIG. 6 is a bottom plan view thereof; and,
FIG. 7 is a front perspective view thereof.

[56] **References Cited**

U.S. PATENT DOCUMENTS

D. 324,793 3/1992 Johnson D6/552

1 Claim, 4 Drawing Sheets

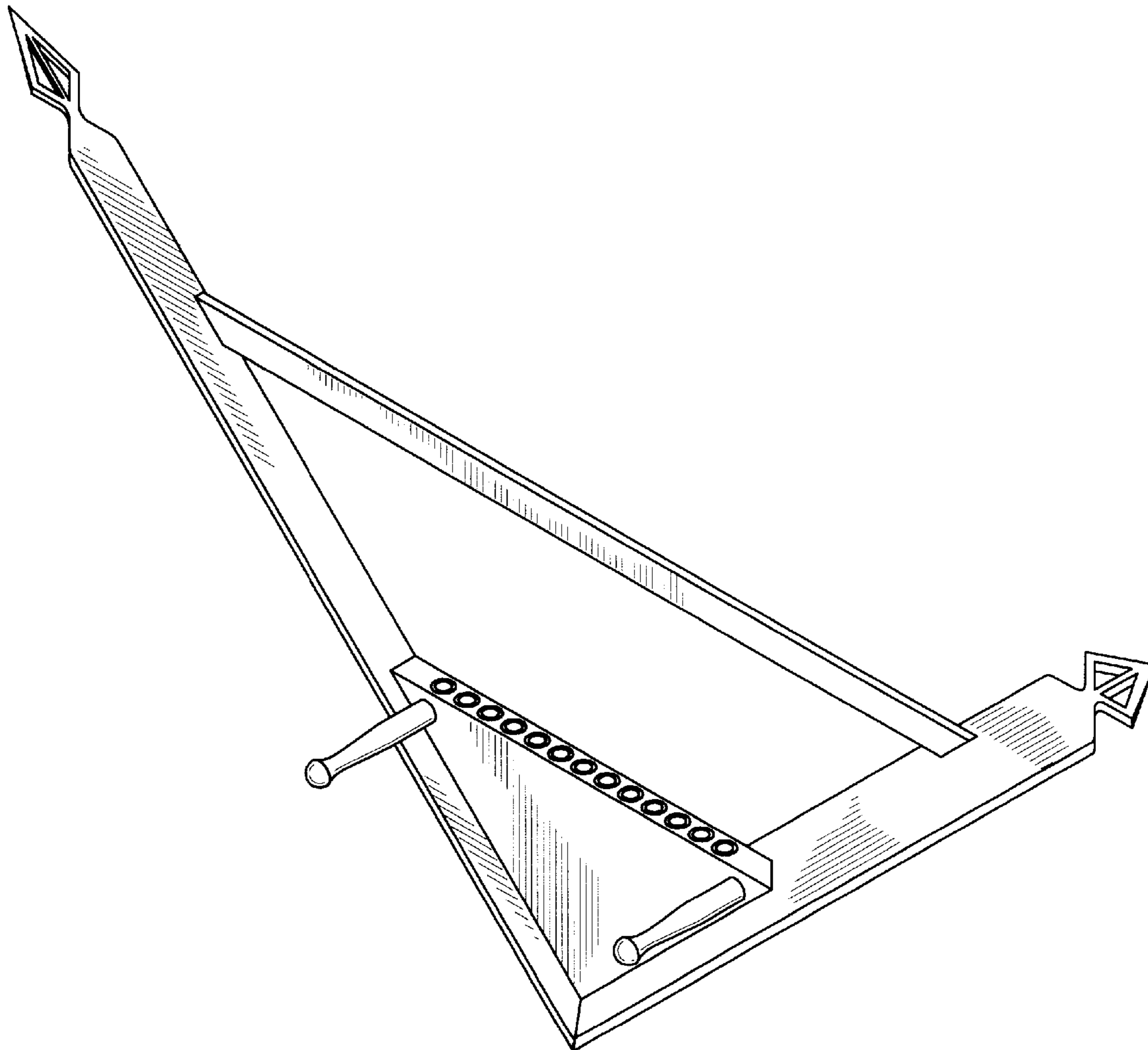


FIG. 1

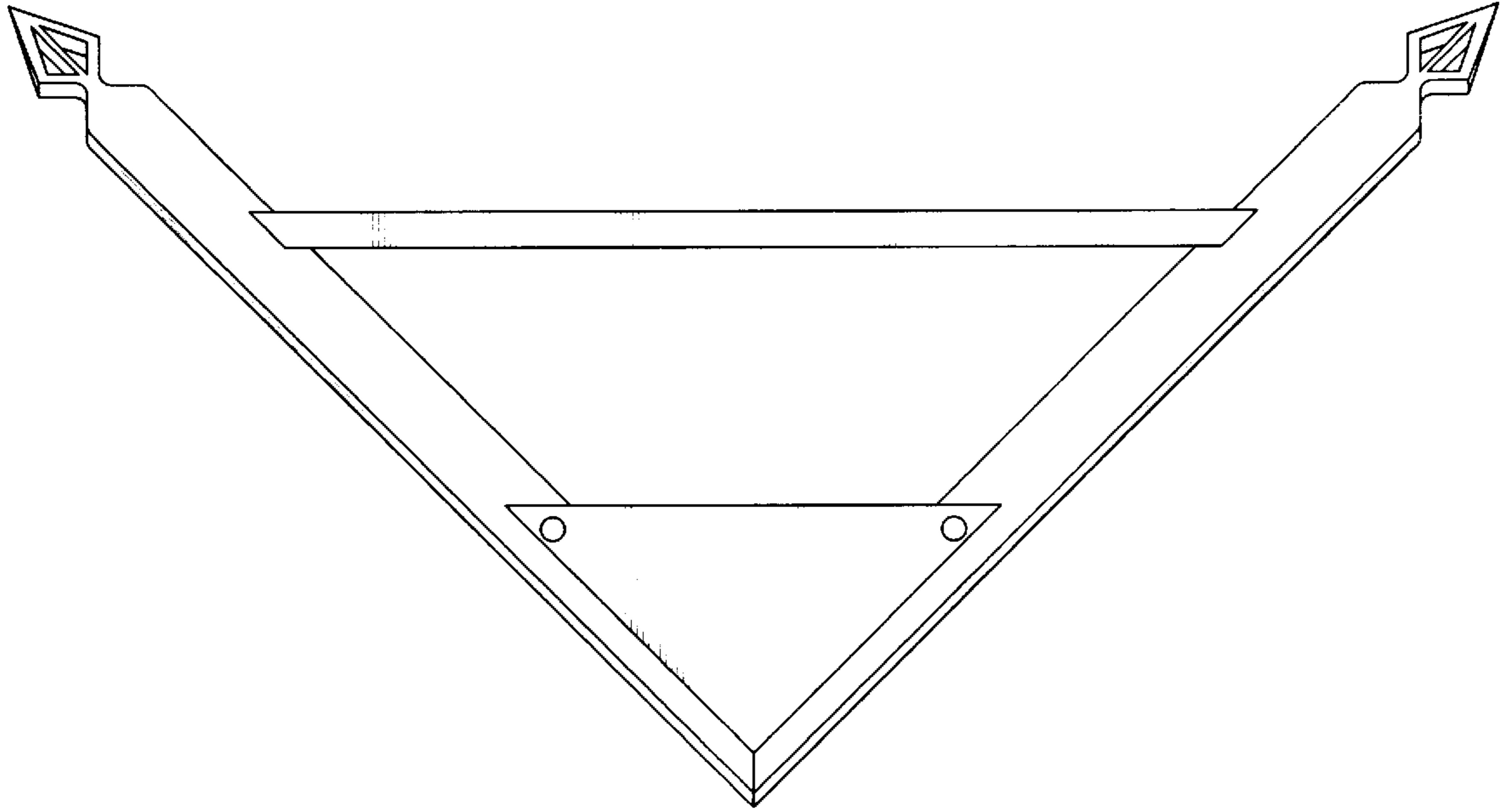


FIG. 2

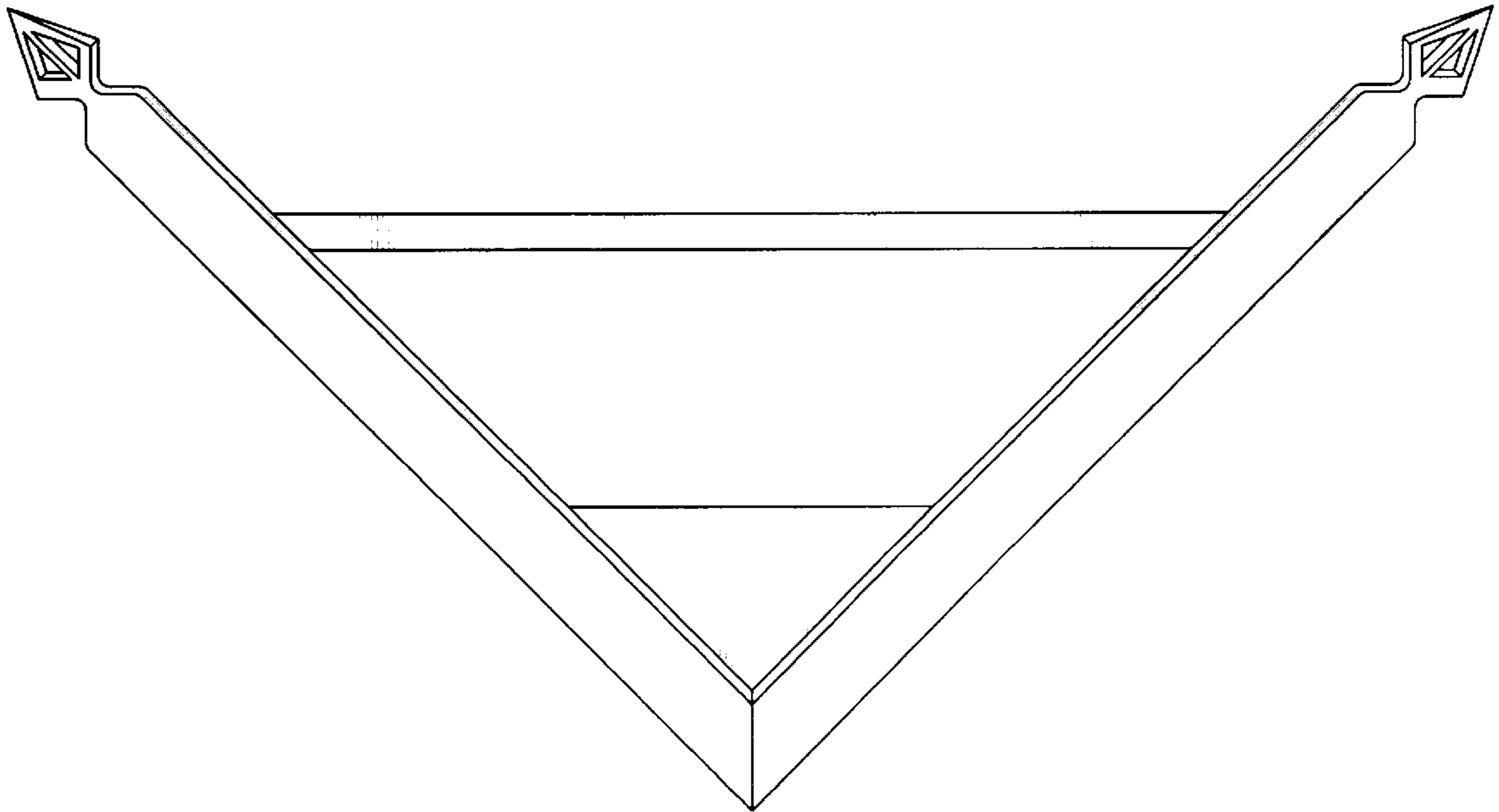


FIG. 3

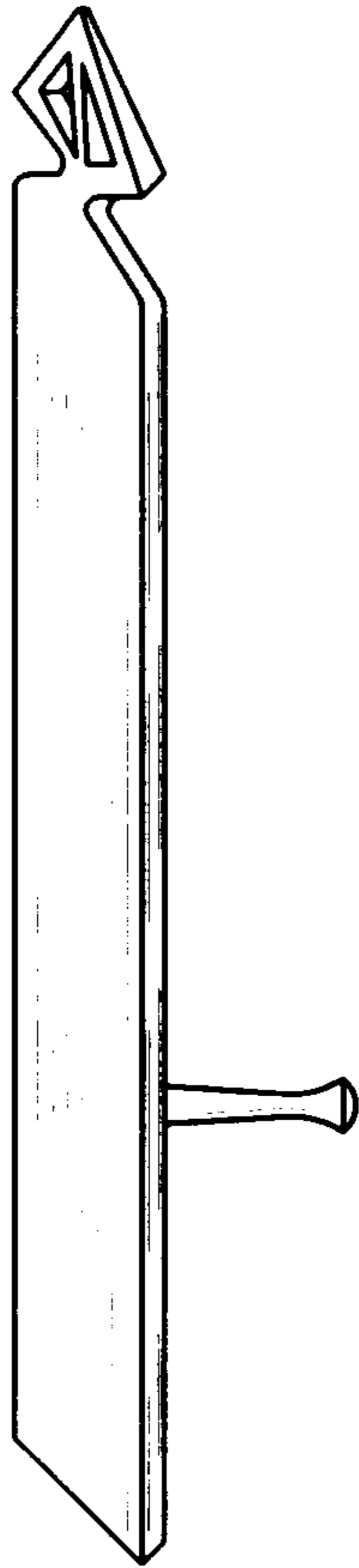


FIG. 4

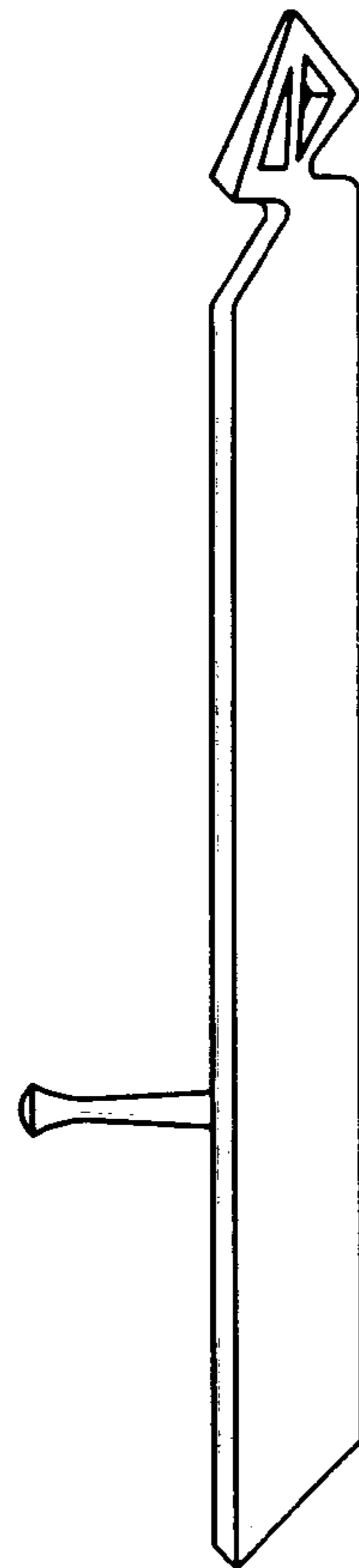


FIG. 5

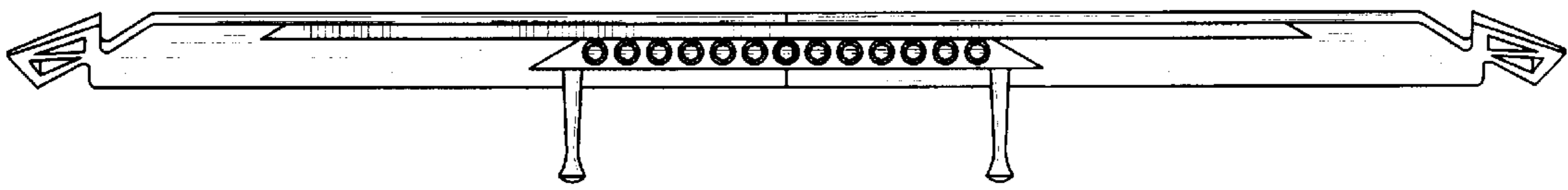


FIG. 6

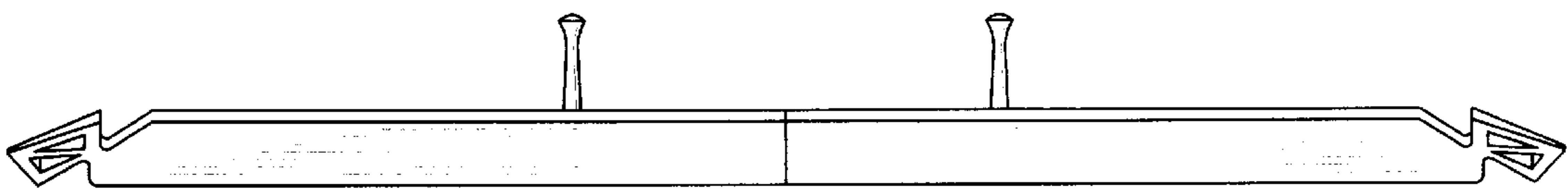


FIG. 7

