



US00D422433S

United States Patent [19] Ho

[11] Patent Number: Des. 422,433

[45] Date of Patent: ** Apr. 11, 2000

[54] COMPUTER TABLE

5,862,761 1/1999 Moore 108/92

[76] Inventor: **Yung-Chi Ho**, No. 75, Lane 245, Sec. 3, Sha-Tien Rd., Ta-Tu Hsiang, Taichung Hsien, Taiwan

Primary Examiner—Alan P. Douglas
Assistant Examiner—Linda Brooks
Attorney, Agent, or Firm—Skjerven, Morrill, MacPherson, Franklin and Friel

[**] Term: **14 Years**

[57] CLAIM

[21] Appl. No.: **29/097,195**

The ornamental design for a computer table, as shown and described.

[22] Filed: **Dec. 1, 1998**

[51] LOC (6) Cl. **06-04**

[52] U.S. Cl. **D6/479**

[58] Field of Search D6/474-479, 422, D6/425, 429-431, 484; 108/91-93, 59, 86, 137, 143; 211/85.8, 126.15; 280/47.35, 79.3; 312/223.3; D18/59

DESCRIPTION

[56] References Cited

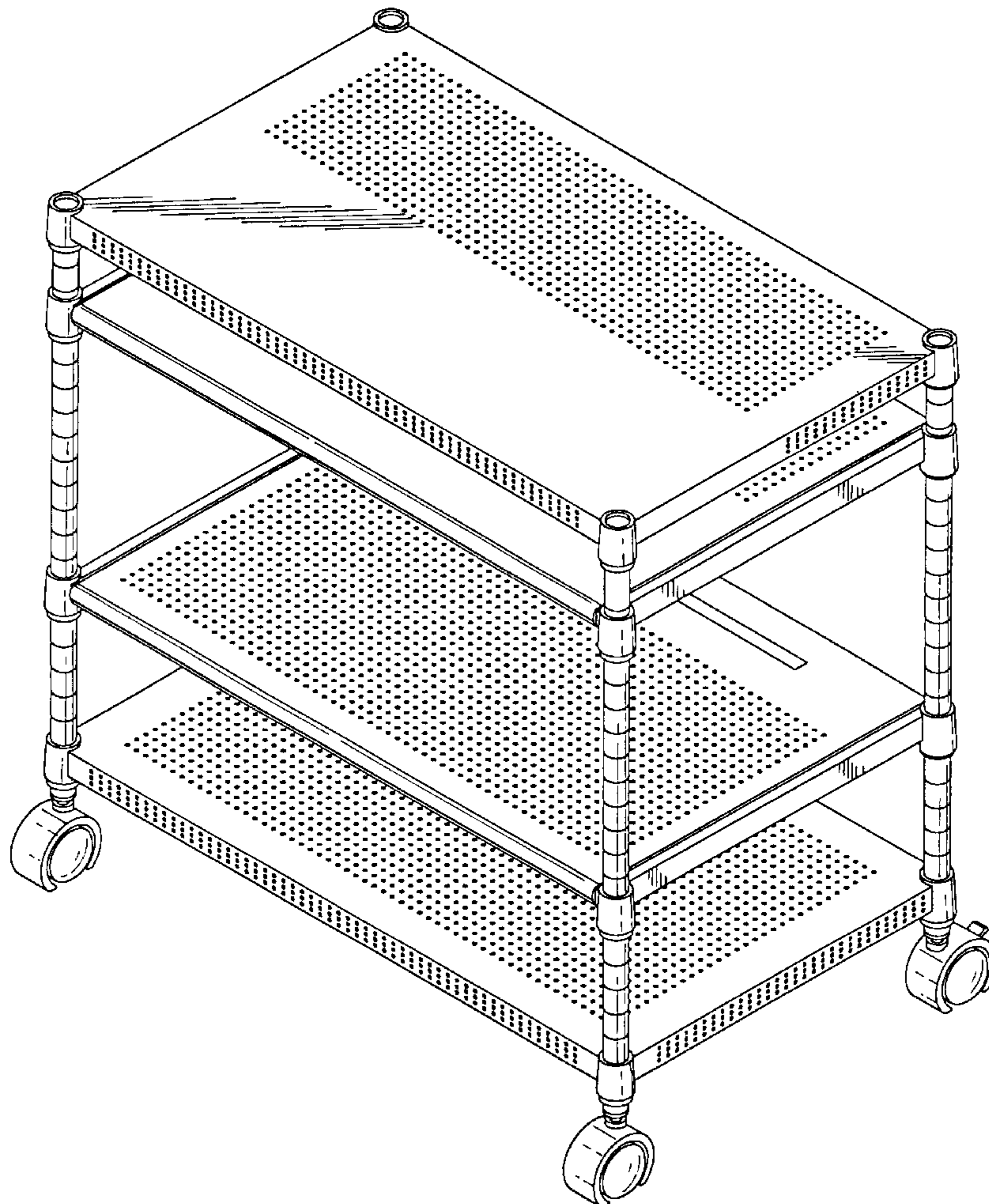
U.S. PATENT DOCUMENTS

D. 305,710	1/1990	Ng et al.	D6/474
D. 323,436	1/1992	Harrison	D6/429
D. 343,305	1/1994	Ng et al.	D6/430
D. 394,965	6/1998	Fang	D6/474
D. 403,536	1/1999	Olson et al.	D6/479

FIG. 1 is a perspective view of a computer table showing my new design;
FIG. 2 is a front elevational view thereof;
FIG. 3 is a rear elevational view thereof;
FIG. 4 is a left side elevational view thereof;
FIG. 5 is a right side elevational view thereof;
FIG. 6 is a top plan view thereof; and,
FIG. 7 is a bottom plan view thereof.

The surfaces of the article not shown in the drawing or described in the specification form no part of the claimed design.

1 Claim, 4 Drawing Sheets



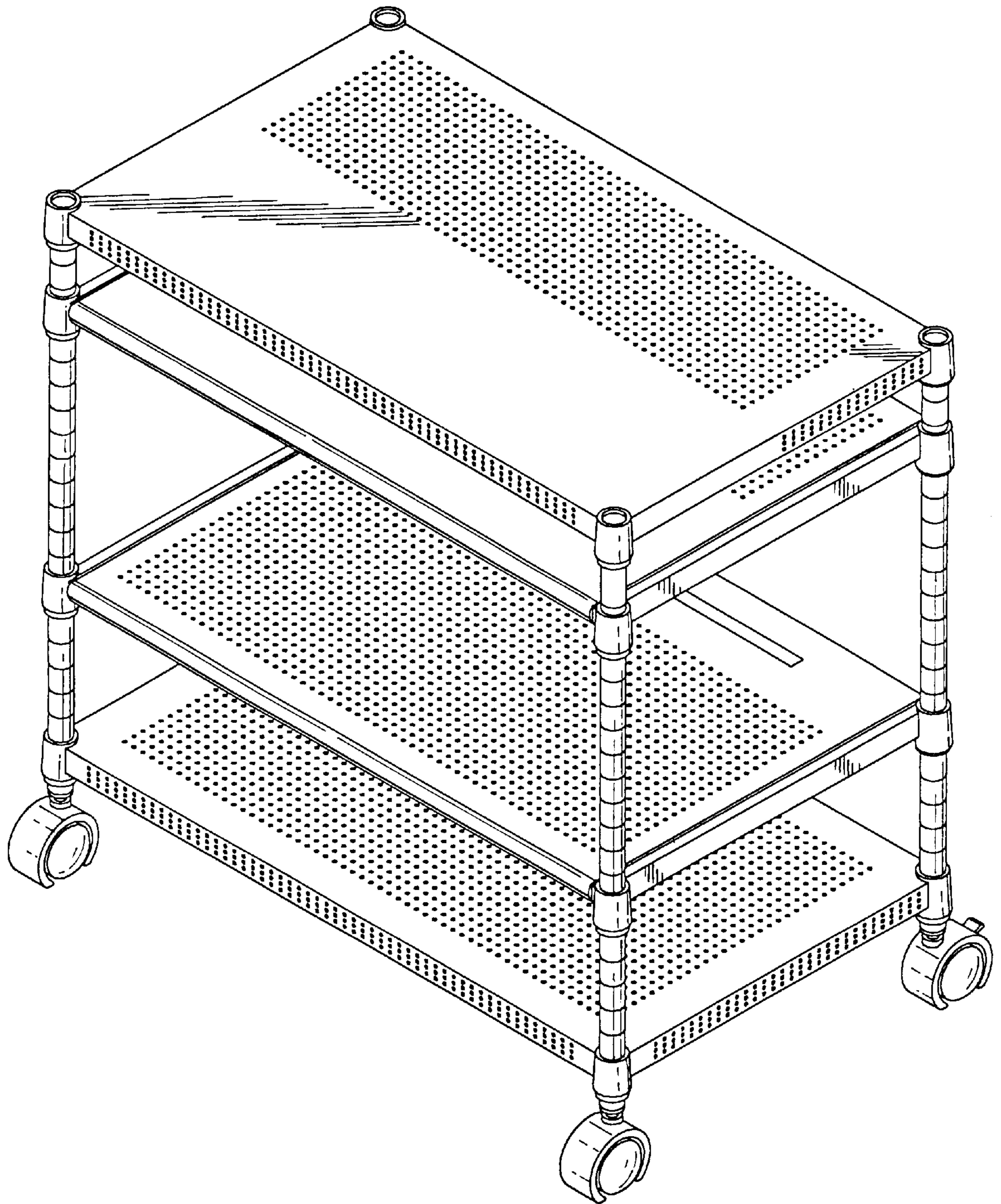


FIG. 1

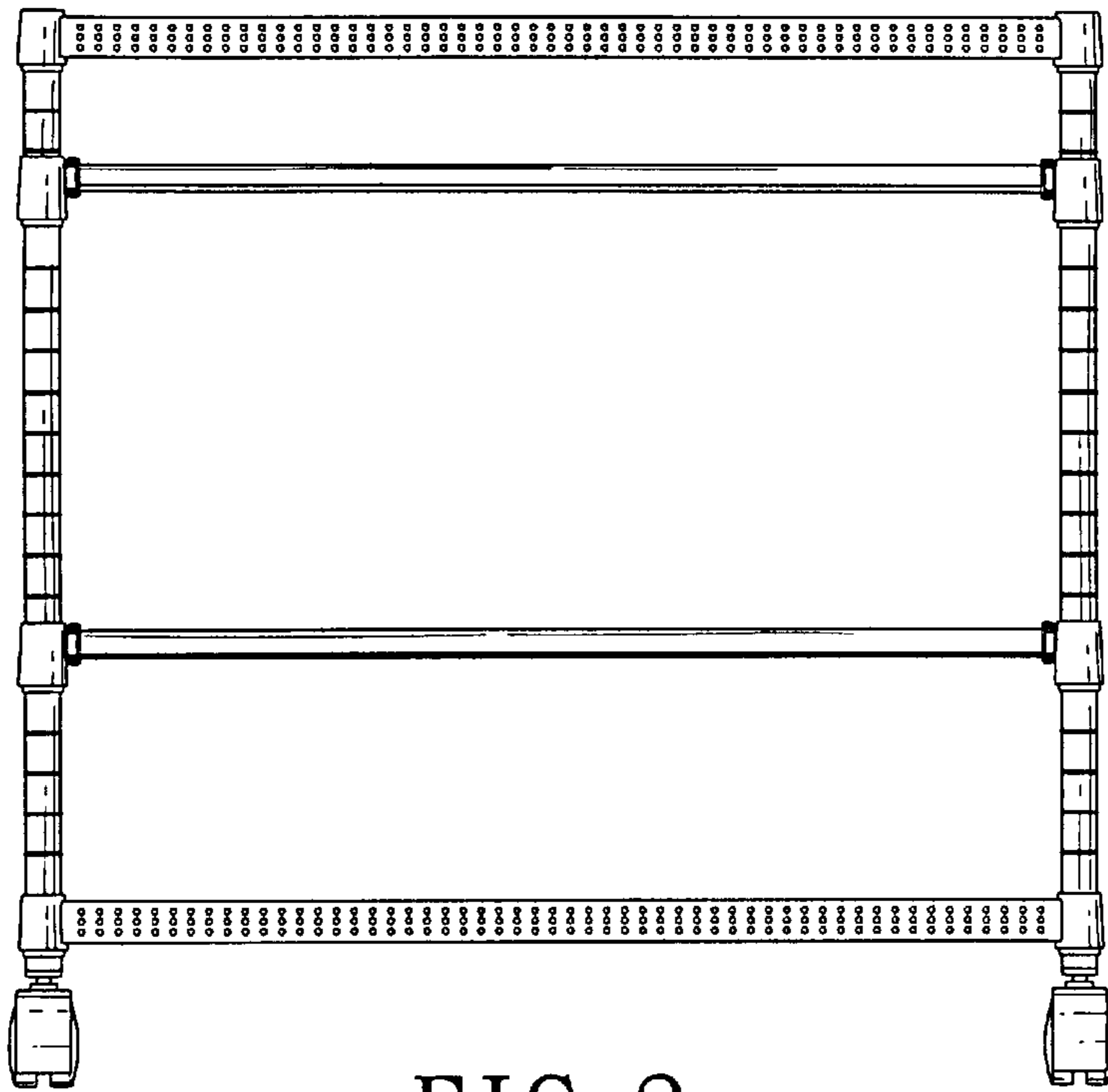


FIG. 2

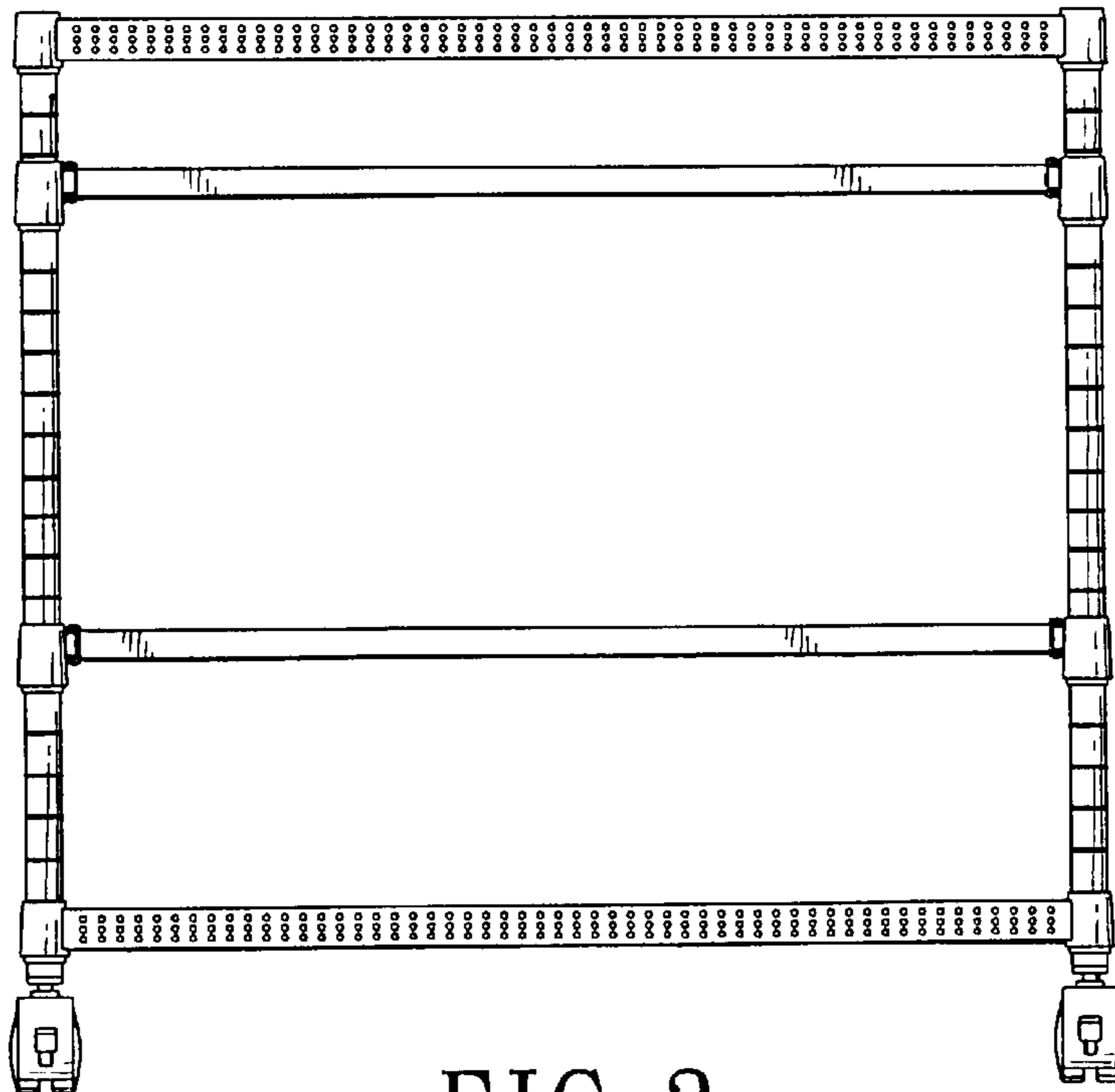


FIG. 3

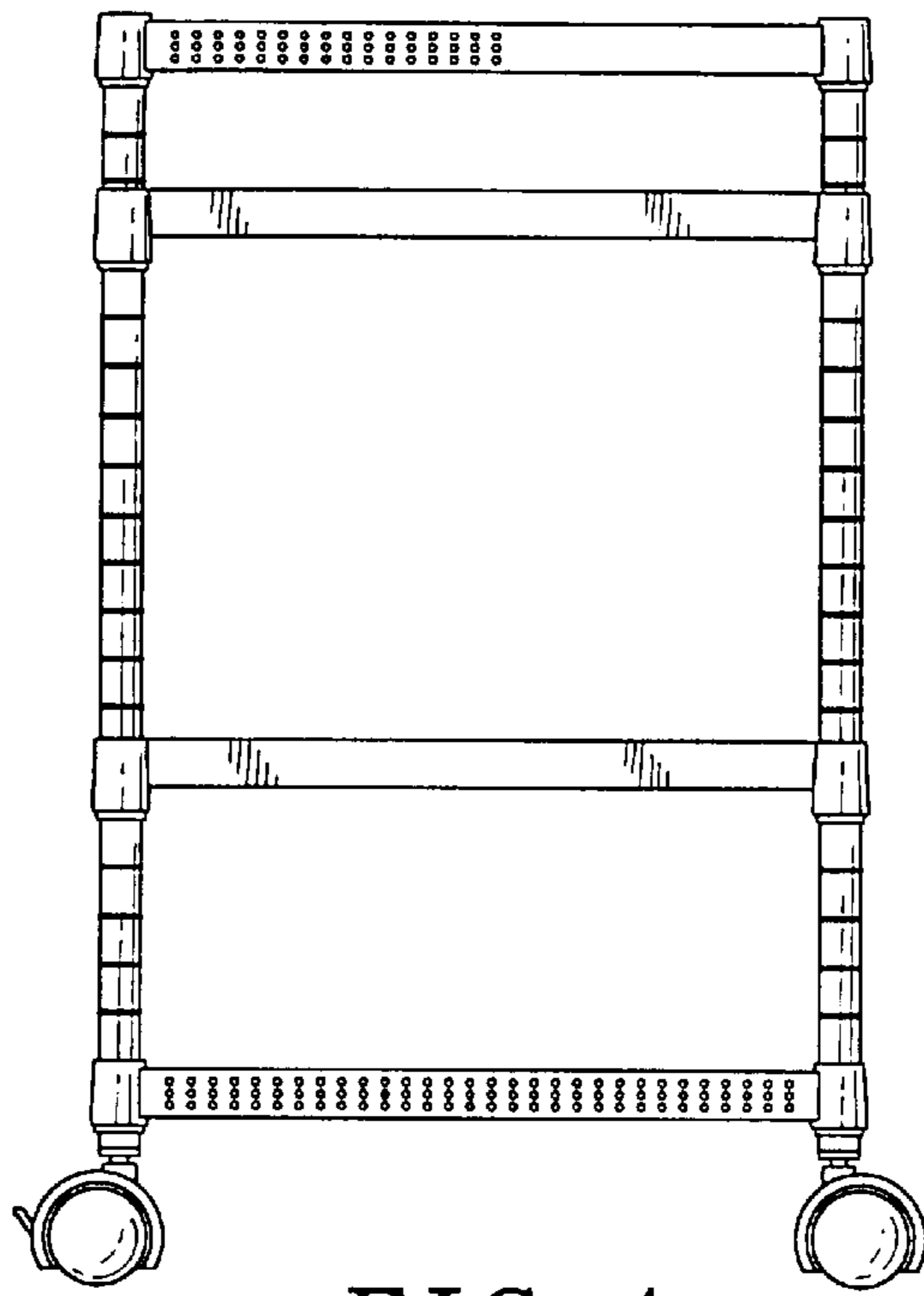


FIG. 4

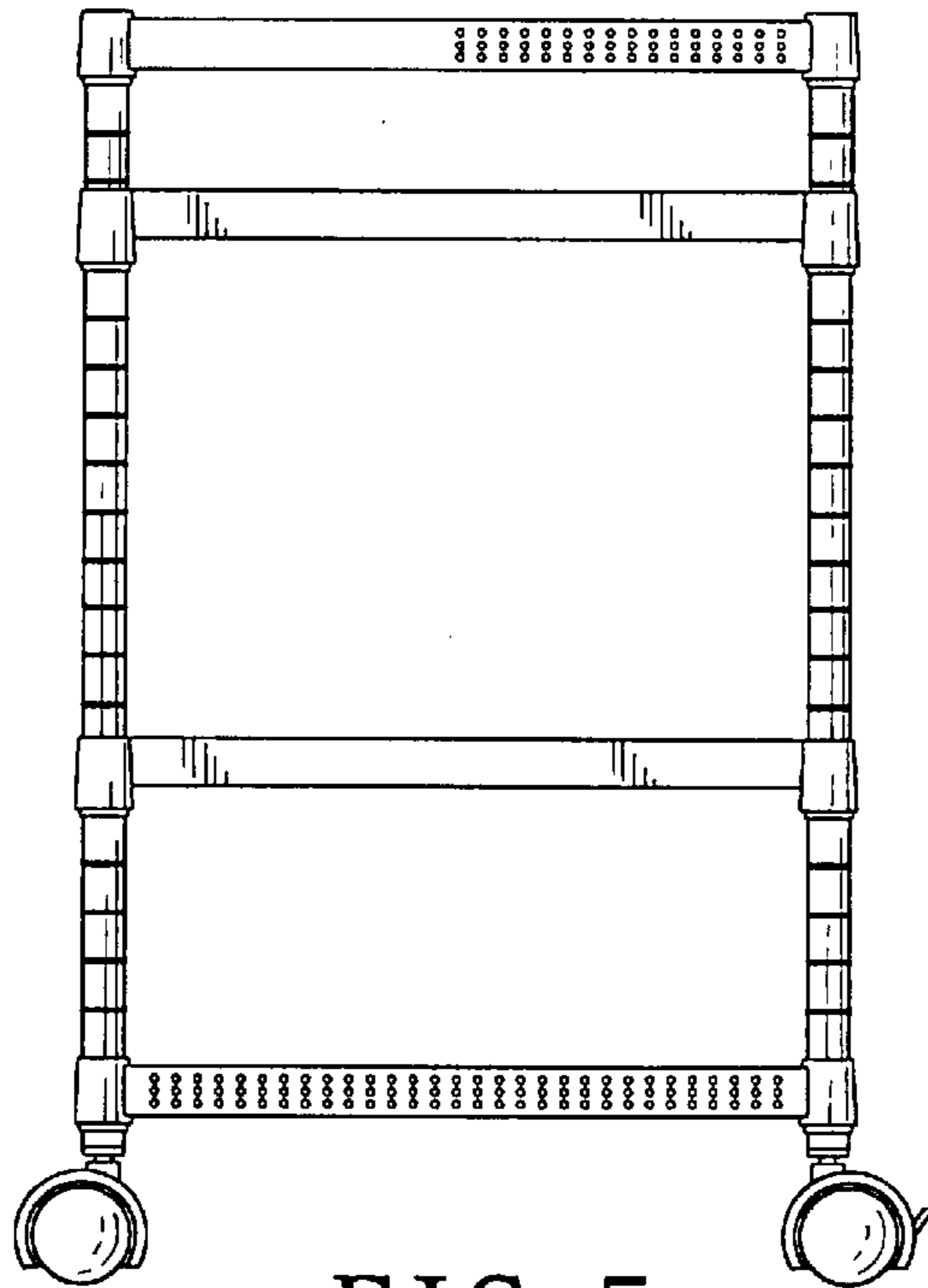


FIG. 5

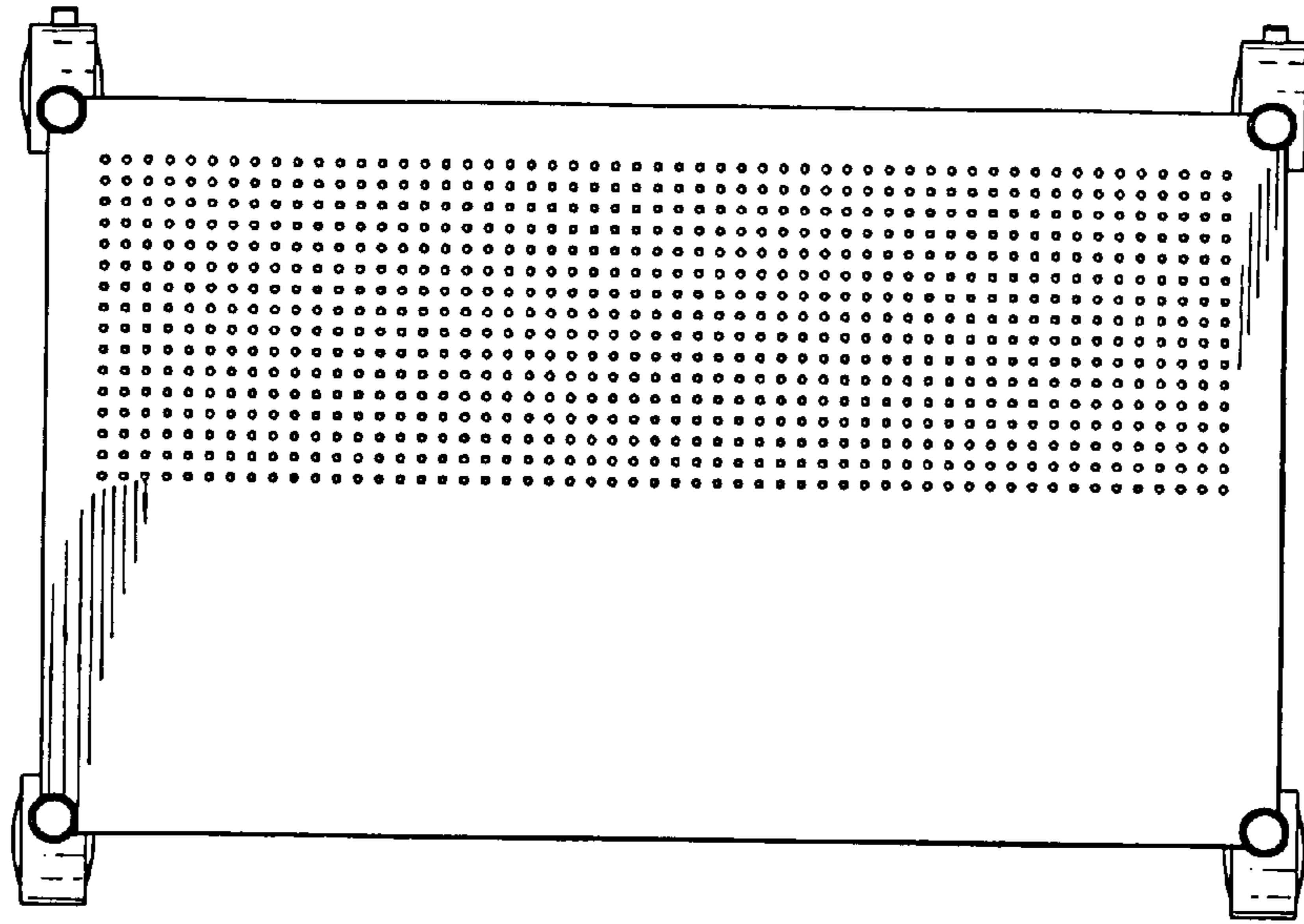


FIG. 6

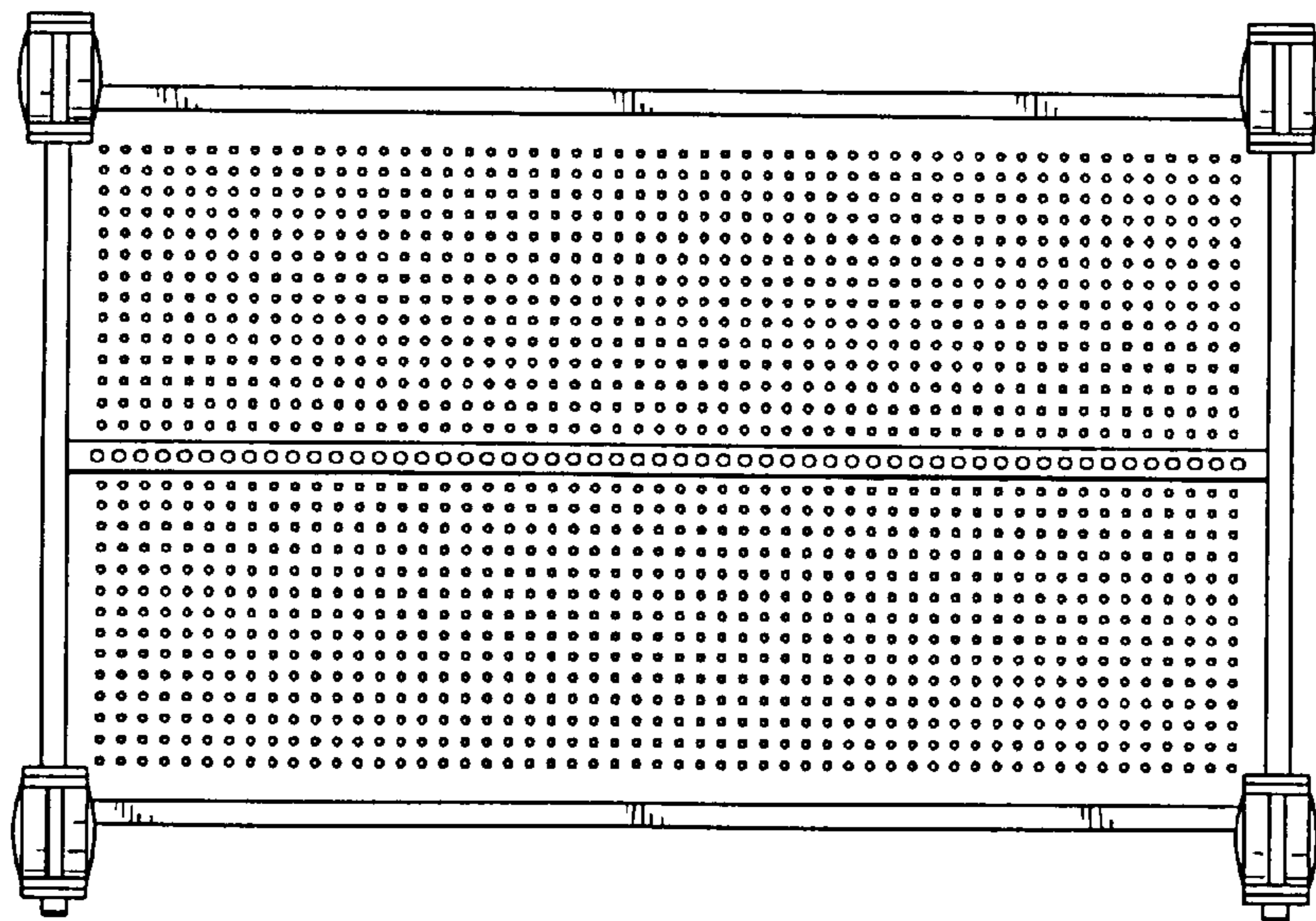


FIG. 7