



US00D422429S

United States Patent [19]

[11] **Patent Number: Des. 422,429**

Belka et al.

[45] **Date of Patent: ** Apr. 11, 2000**

[54] **WORK STATION**

[75] Inventors: **Allen B. Belka**, Wayland; **Ronna L. Jacobs**, Douglas; **Brian D. T. Alexander**, Fennville, all of Mich.

[73] Assignee: **Haworth, Inc.**, Holland, Mich.

[**] Term: **14 Years**

[21] Appl. No.: **29/097,875**

[22] Filed: **Dec. 16, 1998**

Related U.S. Application Data

[62] Division of application No. 29/078,530, Oct. 28, 1997, Pat. No. Des. 408,171, which is a continuation of application No. 29/073,261, Jul. 10, 1997, abandoned.

[51] **LOC (6) Cl.** **06-04**

[52] **U.S. Cl.** **D6/421; D6/426**

[58] **Field of Search** **D6/422-428, 421; 312/194-196, 233, 239; 108/59, 60, 50.01**

[56] References Cited

U.S. PATENT DOCUMENTS

- D. 118,484 1/1940 Salomon .
- D. 185,585 6/1959 Sundberg D6/428 X
- D. 201,971 8/1965 Mohon D6/428
- D. 203,602 2/1966 Dusman D6/428
- D. 210,131 2/1968 Rourke D6/426 X
- D. 236,925 9/1975 Clark D6/426

(List continued on next page.)

FOREIGN PATENT DOCUMENTS

- 0481159A1 4/1992 European Pat. Off. .
- 0531794A1 3/1993 European Pat. Off. .
- 4-5910 1/1992 Japan 312/196

OTHER PUBLICATIONS

U.S. Application Serial No. 08/870,954, filed Jun. 6, 1997, Table With Article-Supportive Surround (Atty. Ref.: Haworth Case 240).

U.S. Application Serial No. 29/071,758, filed Jun. 6, 1997, Table With Article-Supportive Surround (Atty. Ref.: Haworth Case 241).

U.S. Application Serial No. 08/890,914, filed Jul. 10, 1997, Work Station (Atty. Ref.: Haworth Case 249).

U.S. Application Serial No. 29/071,761, filed Jun. 6, 1997, U-Shaped Work Station (Atty. Ref.: Haworth Design Case 243) and drawings therefrom.

U.S. Application Serial No. 08/870,789, filed Jun. 6, 1997, Computer Work Station (Atty. Ref.: Haworth Case 242) and drawings therefrom.

U.S. Provisional Application Serial No. 60/019,407, filed Jun. 7, 1996, Rim Top Table (Atty. Ref.: Haworth PA Case 01) and drawings therefrom.

U.S. Provisional Application Serial No. 60/019,425, filed Jun. 7, 1996, Spacial Organizer for Papers (Atty. Ref.: Haworth PA Case 03) and drawings therefrom.

Primary Examiner—Carmen H. Vales-Lado

Attorney, Agent, or Firm—Flynn, Thiel, Boutell & Tanis, P.C.

[57] CLAIM

The ornamental design of a work station, as shown and described herein.

DESCRIPTION

FIG. 1 is a perspective view of a work station showing our new design;

FIG. 2 is a front perspective view thereof;

FIG. 3 is a front elevational view thereof;

FIG. 4 is a rear elevational view thereof;

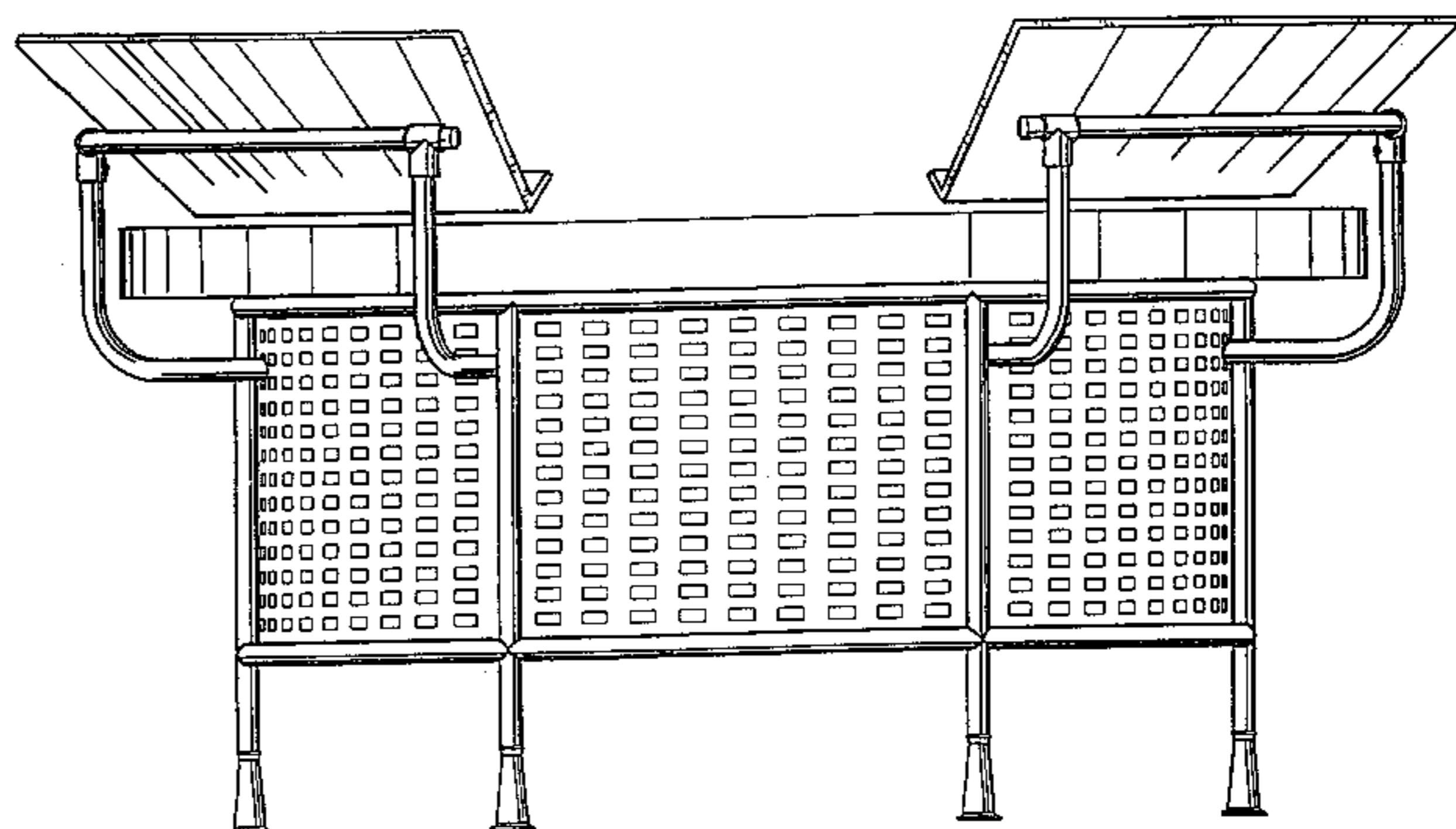
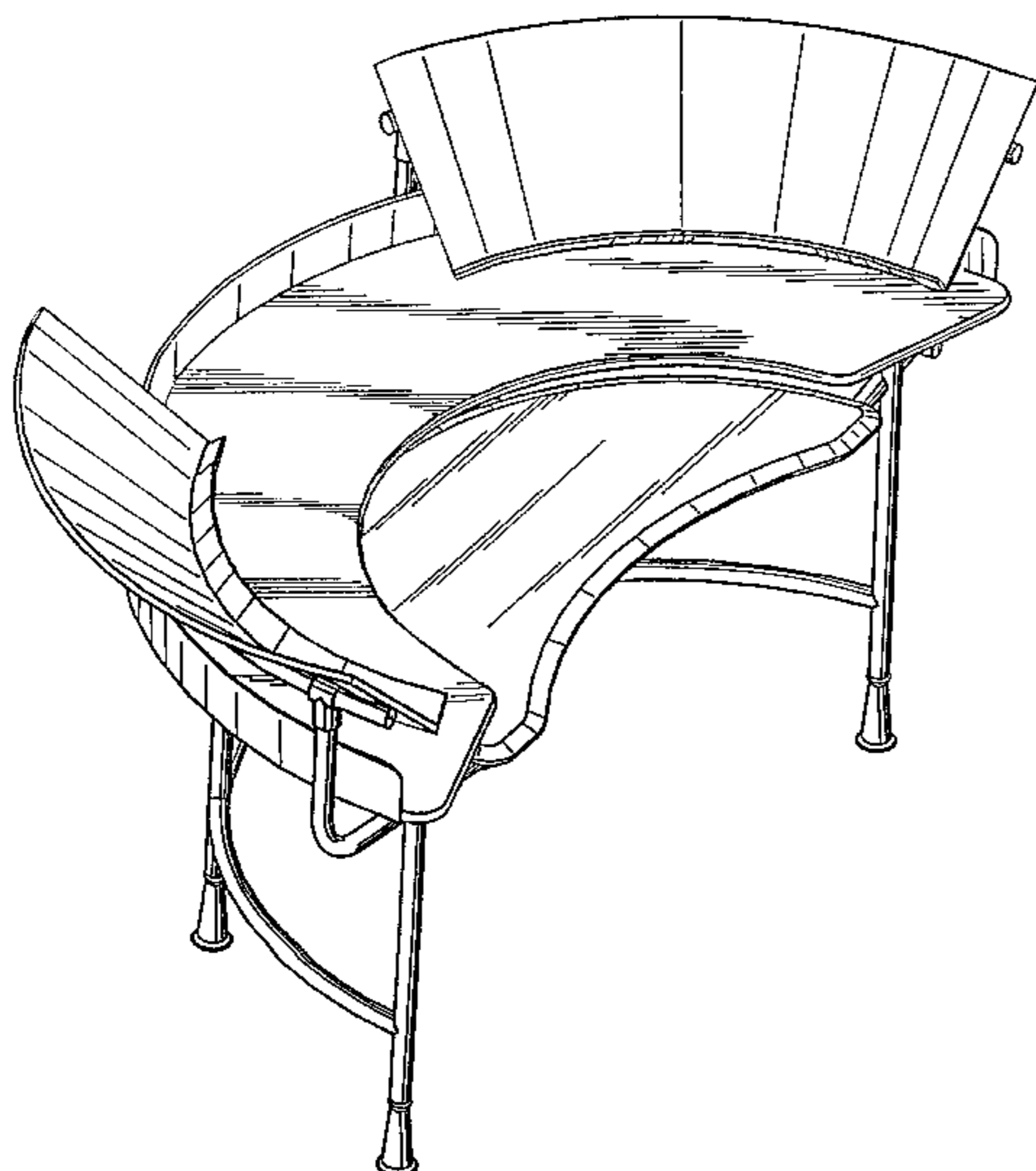
FIG. 5 is a left side elevational view, the right side being a mirror image thereof;

FIG. 6 is a top plan view thereof;

FIG. 7 is a rear elevational view of a modified form of the work station shown in FIG. 1, the addition of the curved modesty panel being the only difference and the sides not shown being the same as that shown in FIGS. 1-6; and,

FIG. 8 is a left side elevational view thereof.

1 Claim, 8 Drawing Sheets



U.S. PATENT DOCUMENTS						
			2,947,998	8/1960	Murphy .	
D. 286,233	10/1986	Schreiner	4,605,988	8/1986	Nienhuis et al. 361/429	
D. 321,447	11/1991	Newhouse	4,852,500	8/1989	Ryburg et al. 108/105	
D. 370,571	6/1996	Newhouse et al.	4,894,600	1/1990	Kearney .	
D. 377,873	2/1997	Floetotto	4,914,873	4/1990	Newhouse	52/36
D. 381,835	8/1997	Corpuz, Jr. et al.	4,938,366	7/1990	Carroll	211/55
D. 388,981	1/1998	Gongora et al.	4,948,205	8/1990	Kelley .	
D. 389,336	1/1998	Moore	5,009,335	4/1991	Jonker	211/55
D. 389,667	1/1998	Moore	5,018,628	5/1991	Schenck et al. .	
581,127	4/1897	McCorkle .	5,024,167	6/1991	Hayward	108/50
1,528,855	3/1925	Smith .	5,120,117	6/1992	Williams	312/208
1,818,606	8/1931	Burks .	5,289,926	3/1994	Lewis et al.	211/45
1,911,959	5/1933	Kern et al. .	5,317,977	6/1994	Omessi	108/97
2,090,176	8/1937	Besancon	5,481,987	1/1996	Maitland .	
2,153,422	4/1939	Kroman	5,568,773	10/1996	Hung .	
2,520,490	8/1950	Boward	5,609,112	3/1997	Meyer et al.	108/153

FIG. 1

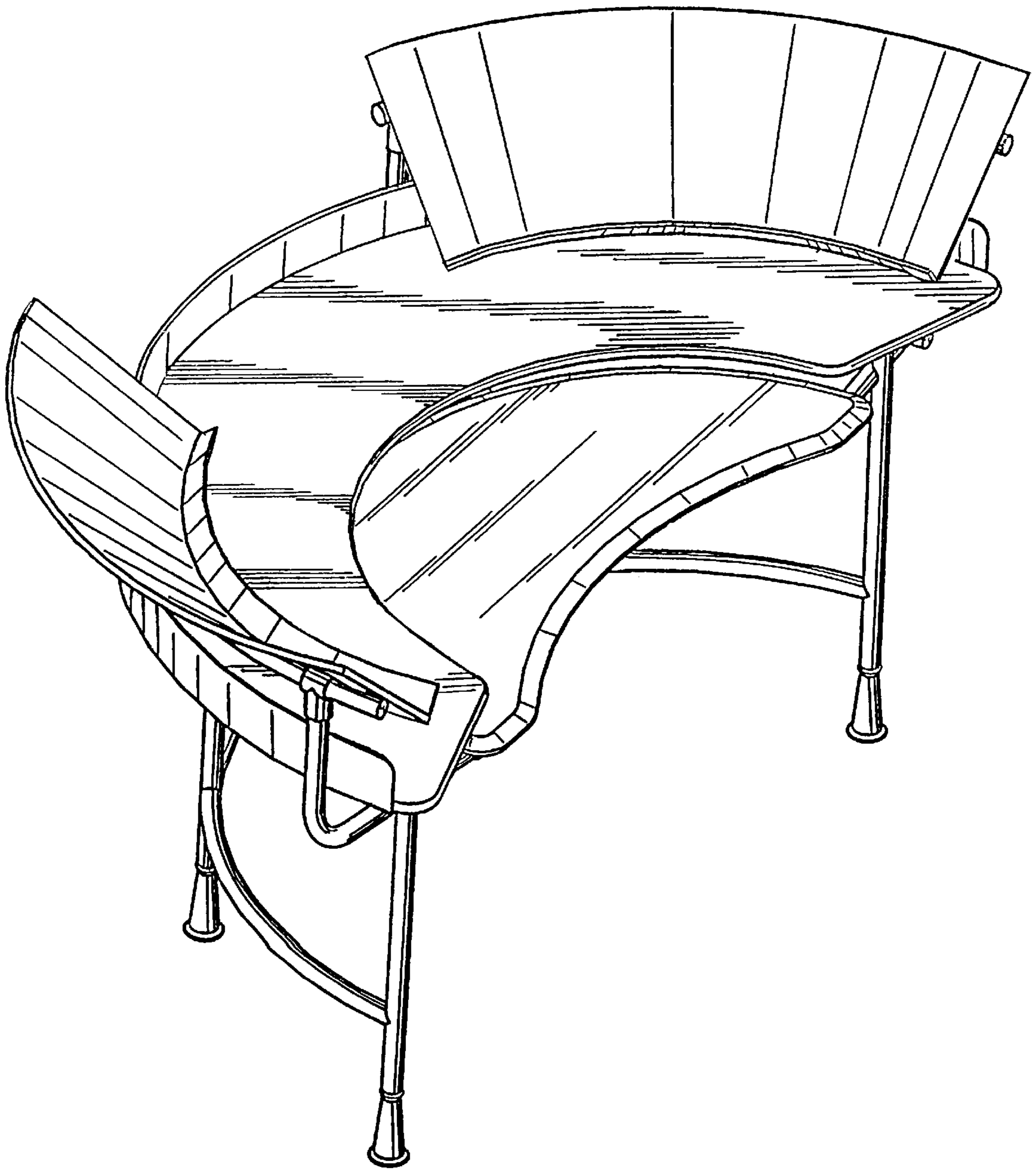


FIG. 2

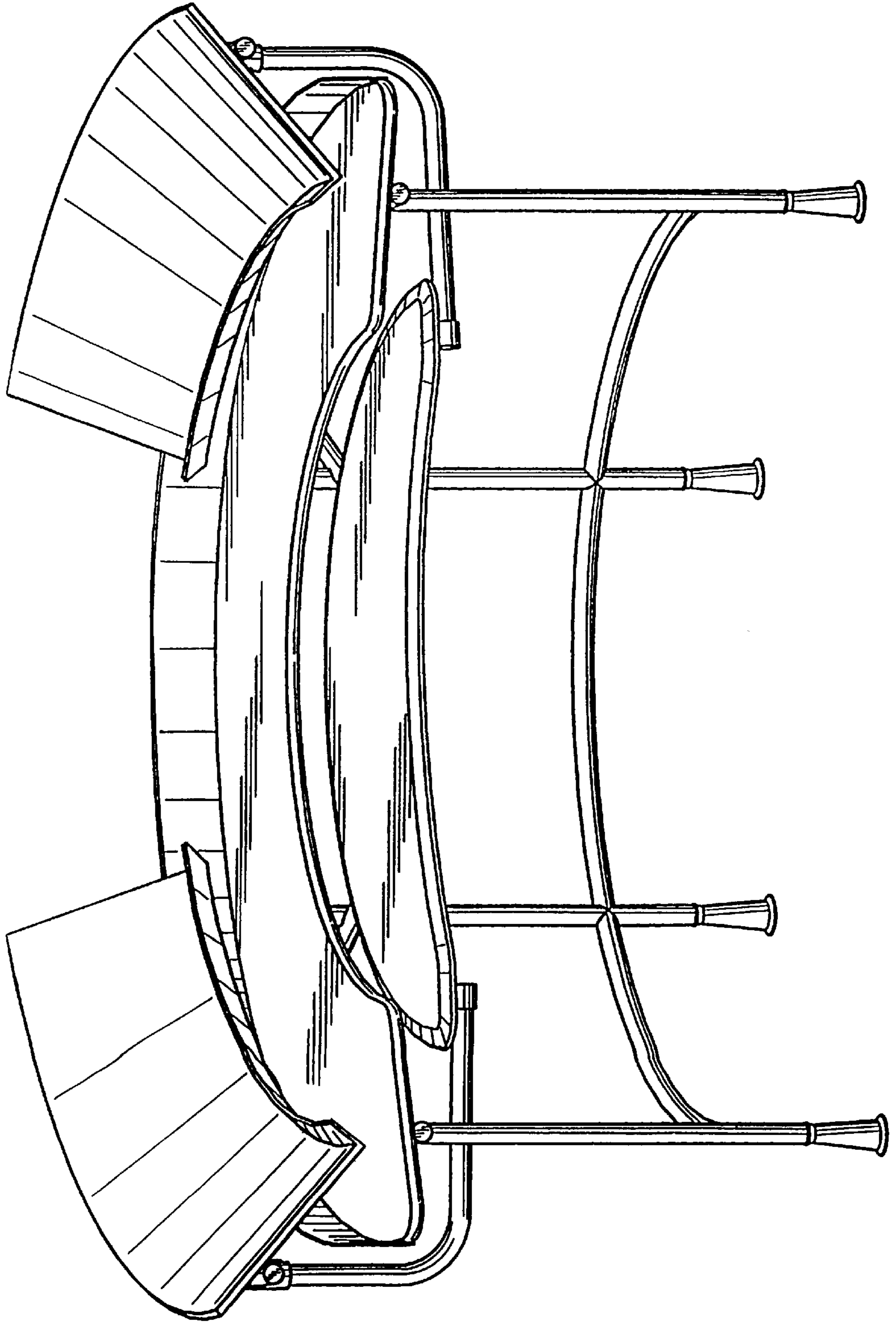


FIG. 3

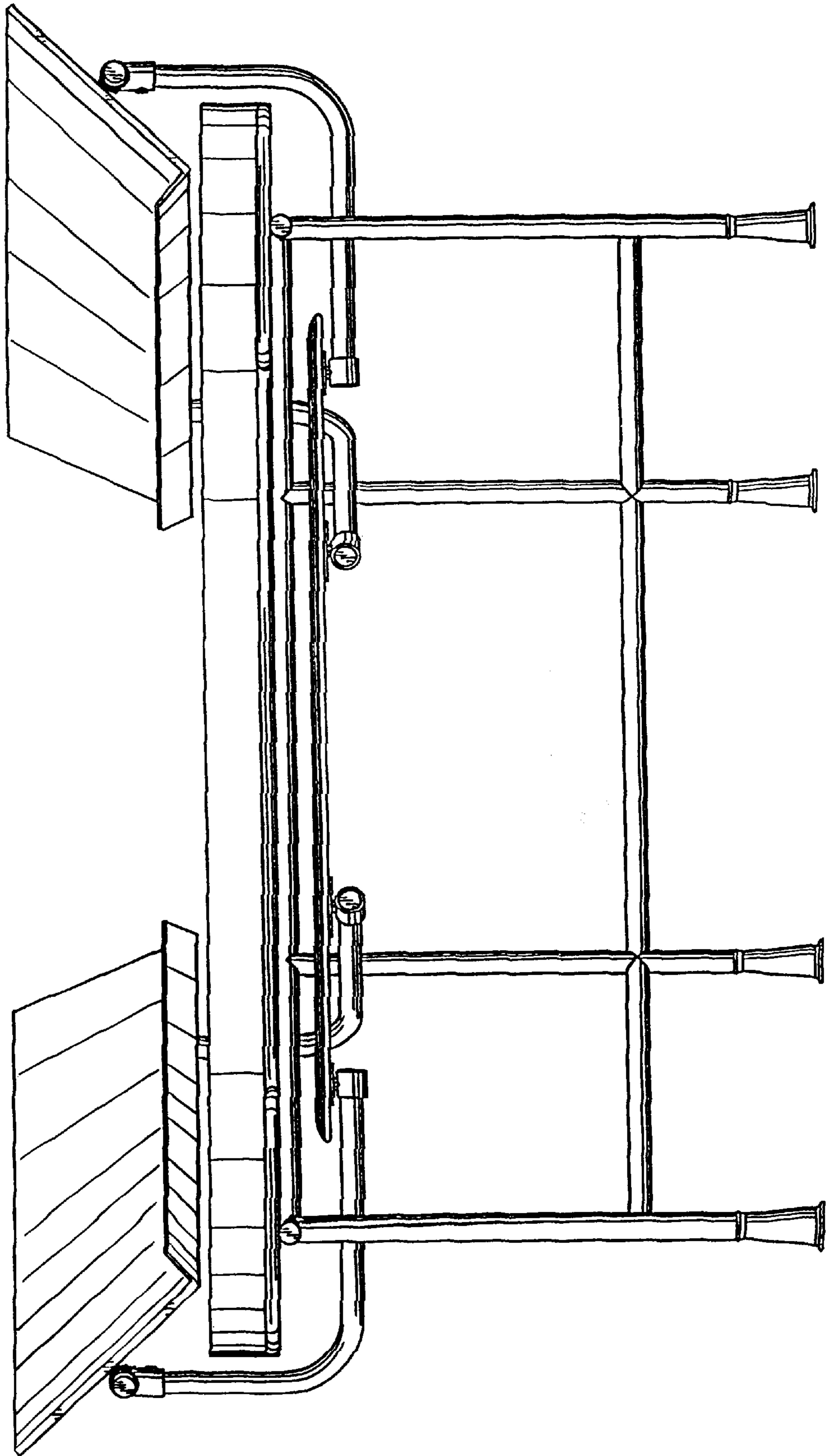


FIG. 4

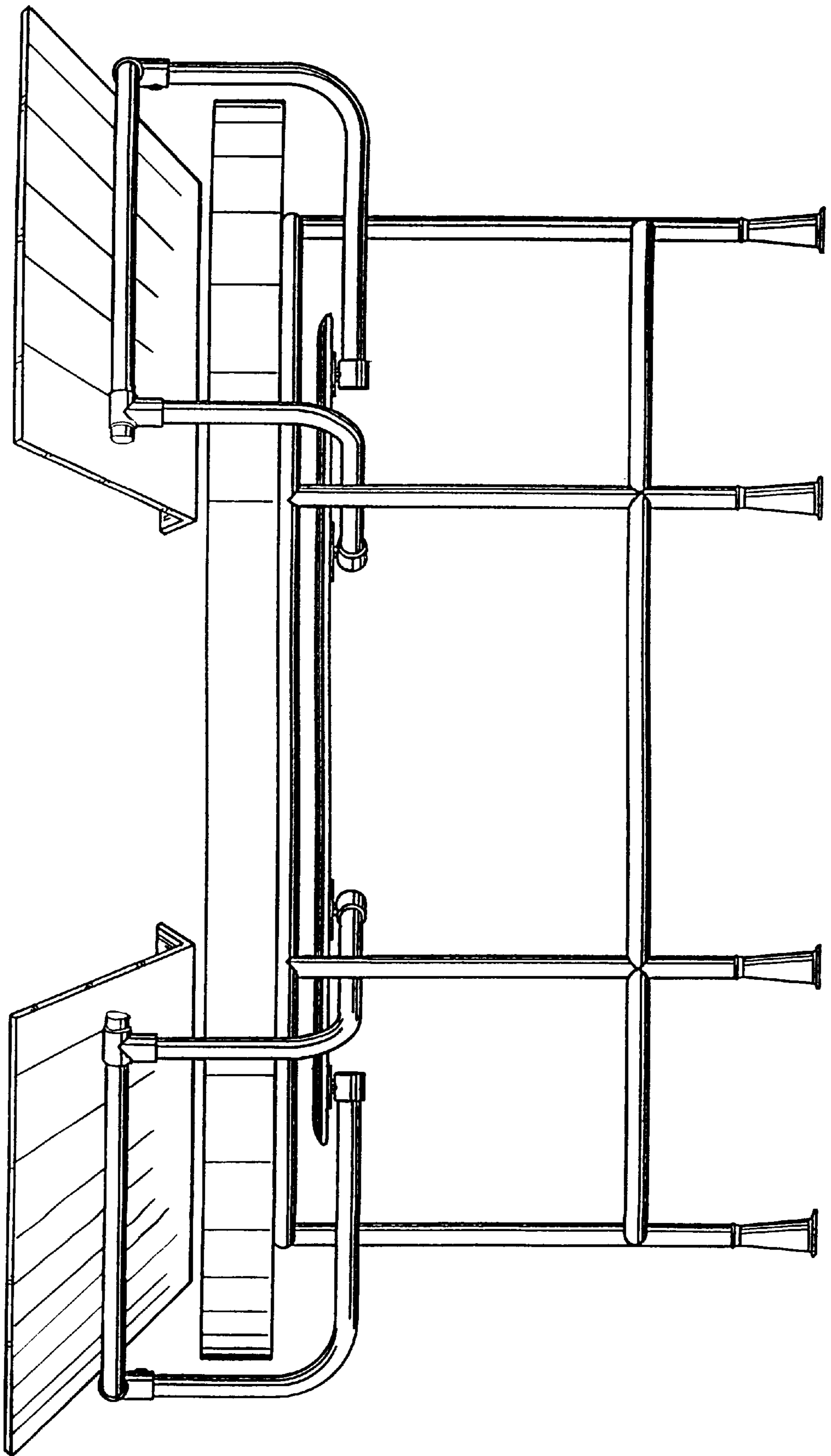


FIG. 5

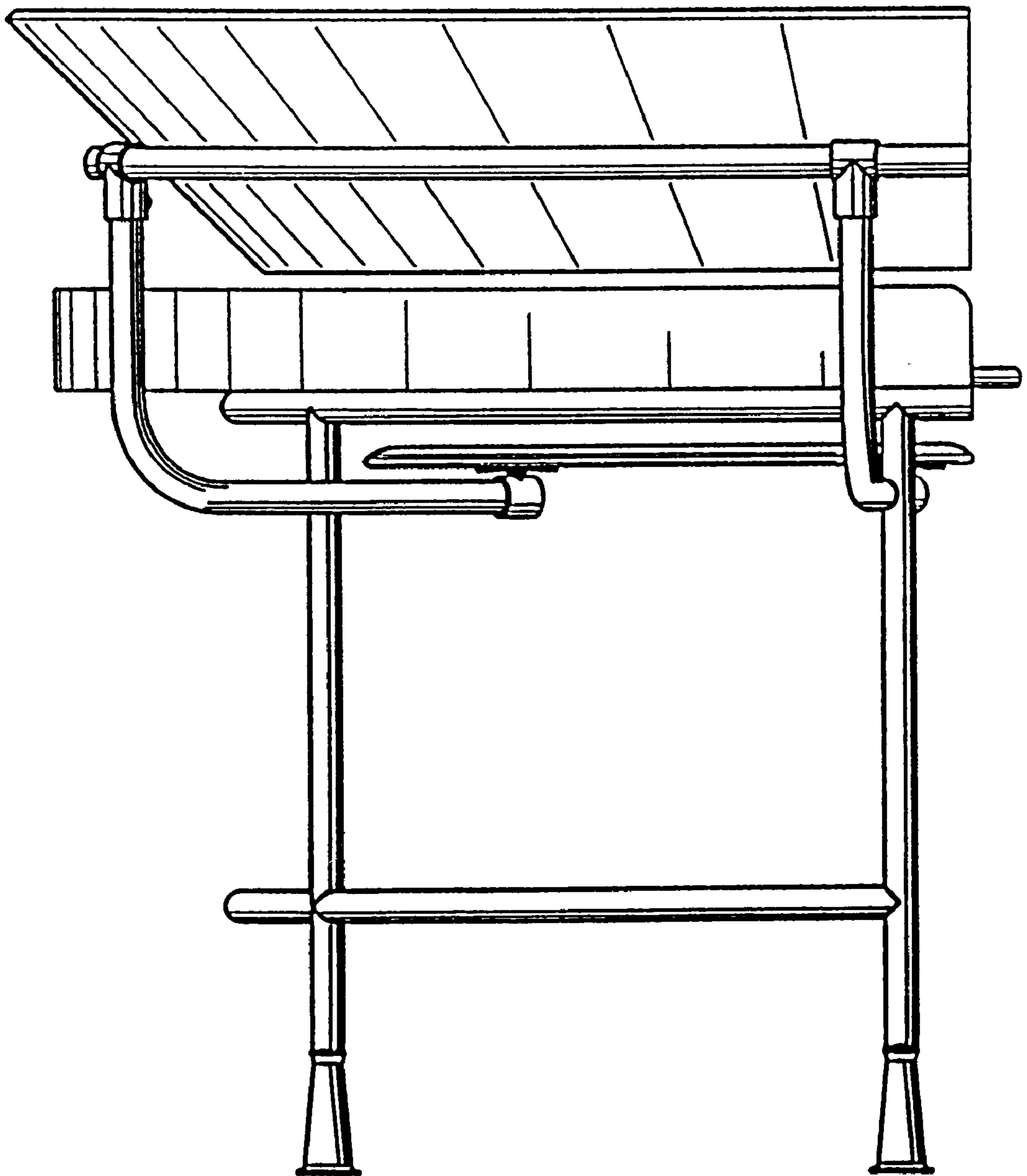


FIG. 6

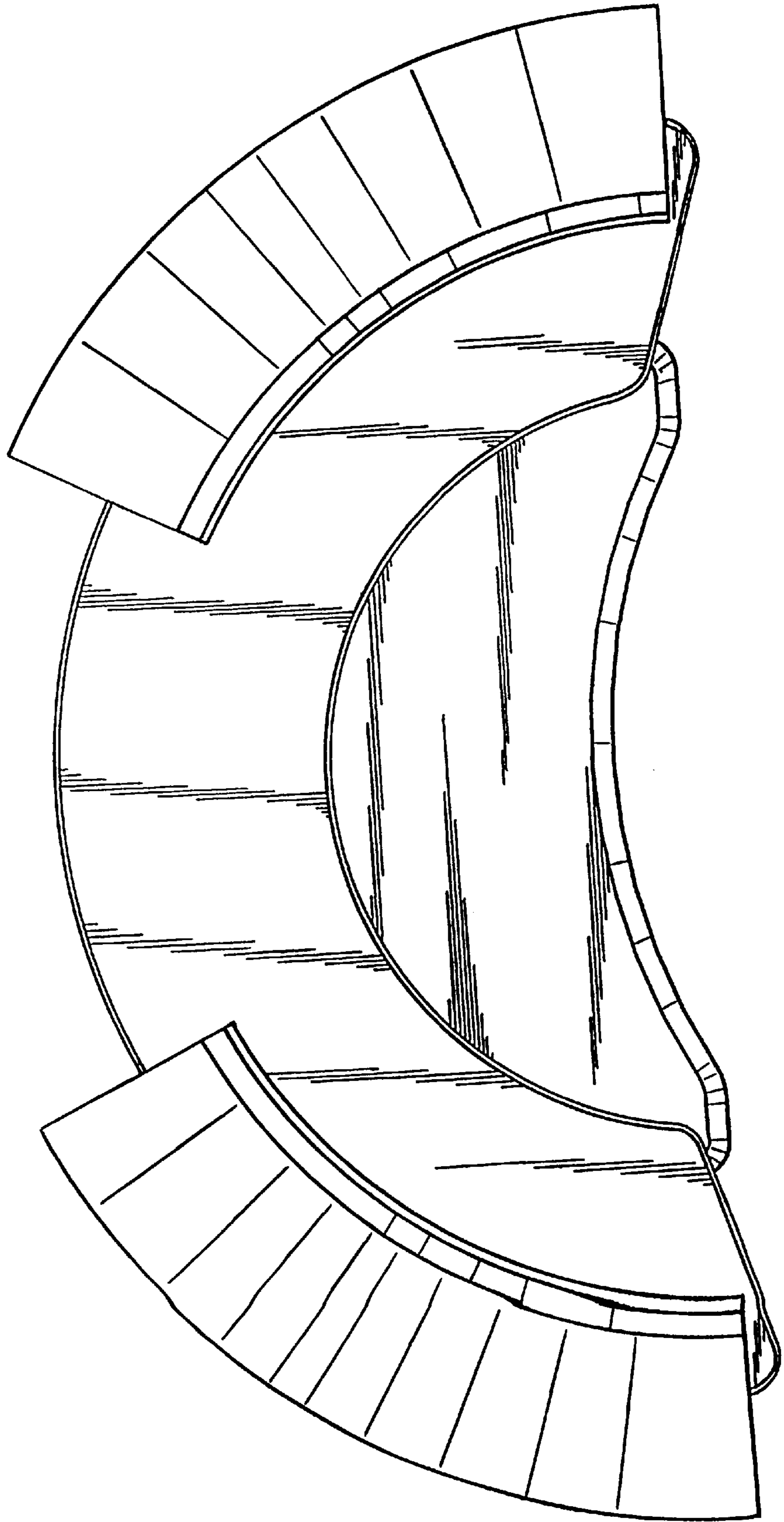


FIG. 7

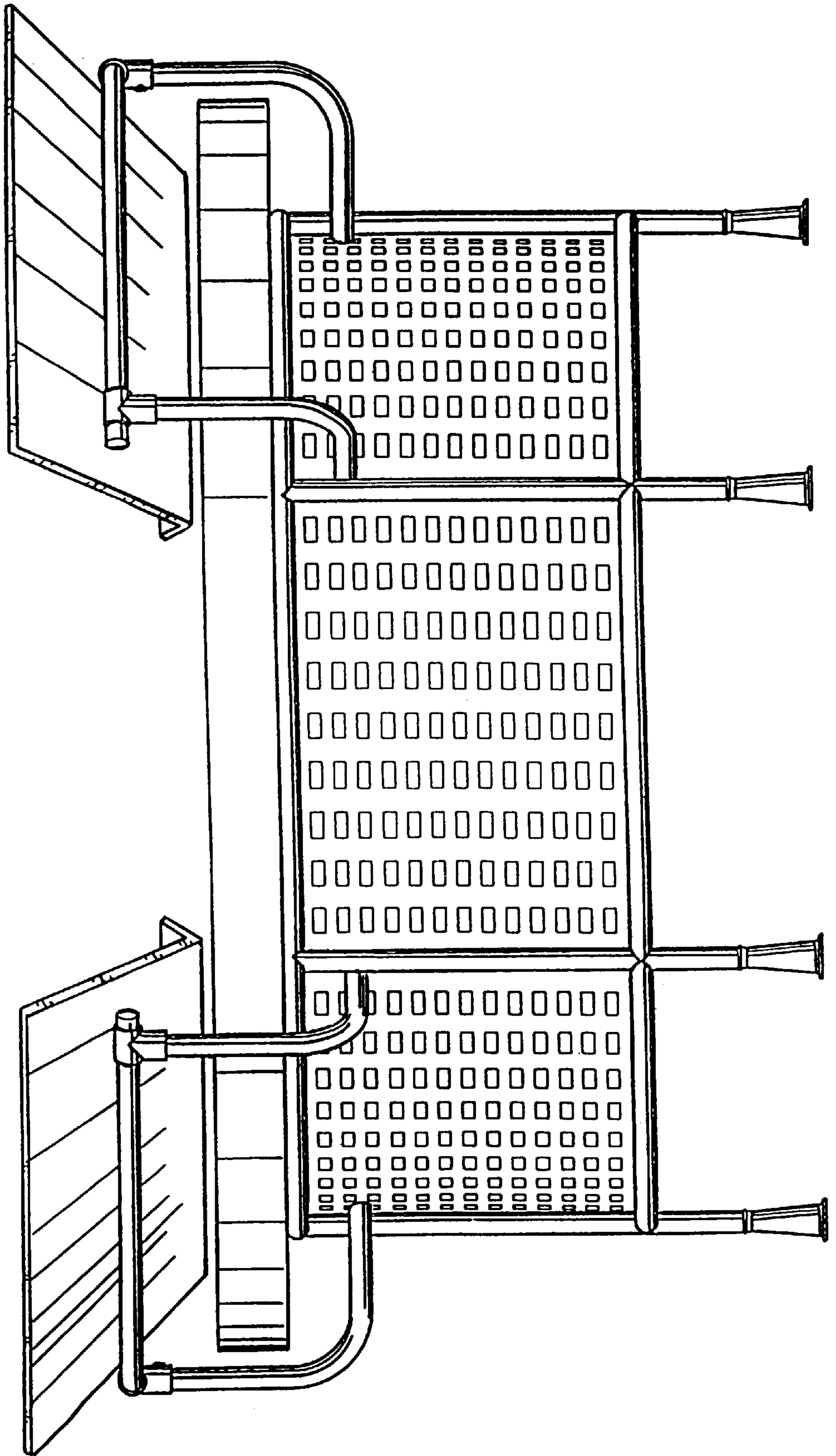


FIG. 8

