



US00D422427S

United States Patent [19] Packer

[11] **Patent Number: Des. 422,427**

[45] **Date of Patent: ** Apr. 11, 2000**

[54] **PLANT SUPPORT**

[76] **Inventor: Gordon R Packer**, 12 Park View Road
Finchley, London N32JB, United
Kingdom

[**] **Term: 14 Years**

[21] **Appl. No.: 29/109,985**

[22] **Filed: Aug. 26, 1999**

[51] **LOC (6) Cl. 06-04**

[52] **U.S. Cl. D6/403; D8/1**

[58] **Field of Search** D8/1; D6/403,
D6/405, 509, 469; D11/143, 144, 164, 152;
47/39, 40, 42-47; 248/251.8, 346.01, 346.03,
346.06, 346.3, 188.11, 188.5

[56] **References Cited**

U.S. PATENT DOCUMENTS

D. 331,865 12/1992 Parker D11/164 X
D. 346,098 4/1994 Schweiker, Jr. D8/1

D. 348,858 7/1994 Nuosce D8/1 X
D. 349,472 8/1994 Olswanger D11/164
D. 412,816 8/1999 Thingvold D8/1

Primary Examiner—Doris V. Coles
Assistant Examiner—Linda Brooks

[57] **CLAIM**

The ornamental design for a plant support, as shown and described.

DESCRIPTION

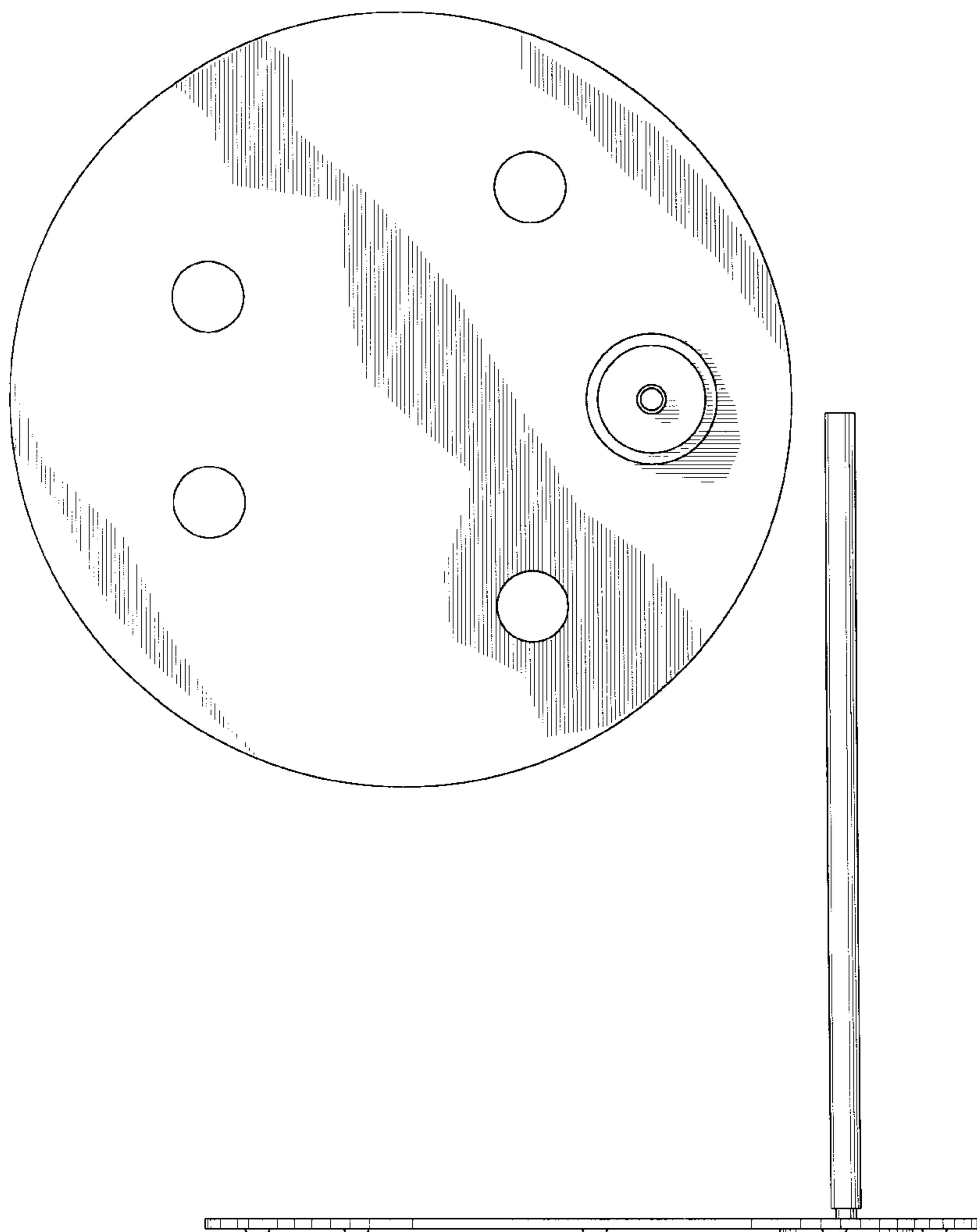
FIG. 1 is a top plan view of the plant support of the present invention;

FIG. 2 is a front elevational view of the plant support of FIG. 1, the rear view being a mirror image thereof;

FIG. 3 is a bottom plan view of the plant support of FIG. 1; and,

FIG. 4 is a right side elevational view of the plant support of FIG. 1, the left view being a mirror image thereof.

1 Claim, 3 Drawing Sheets



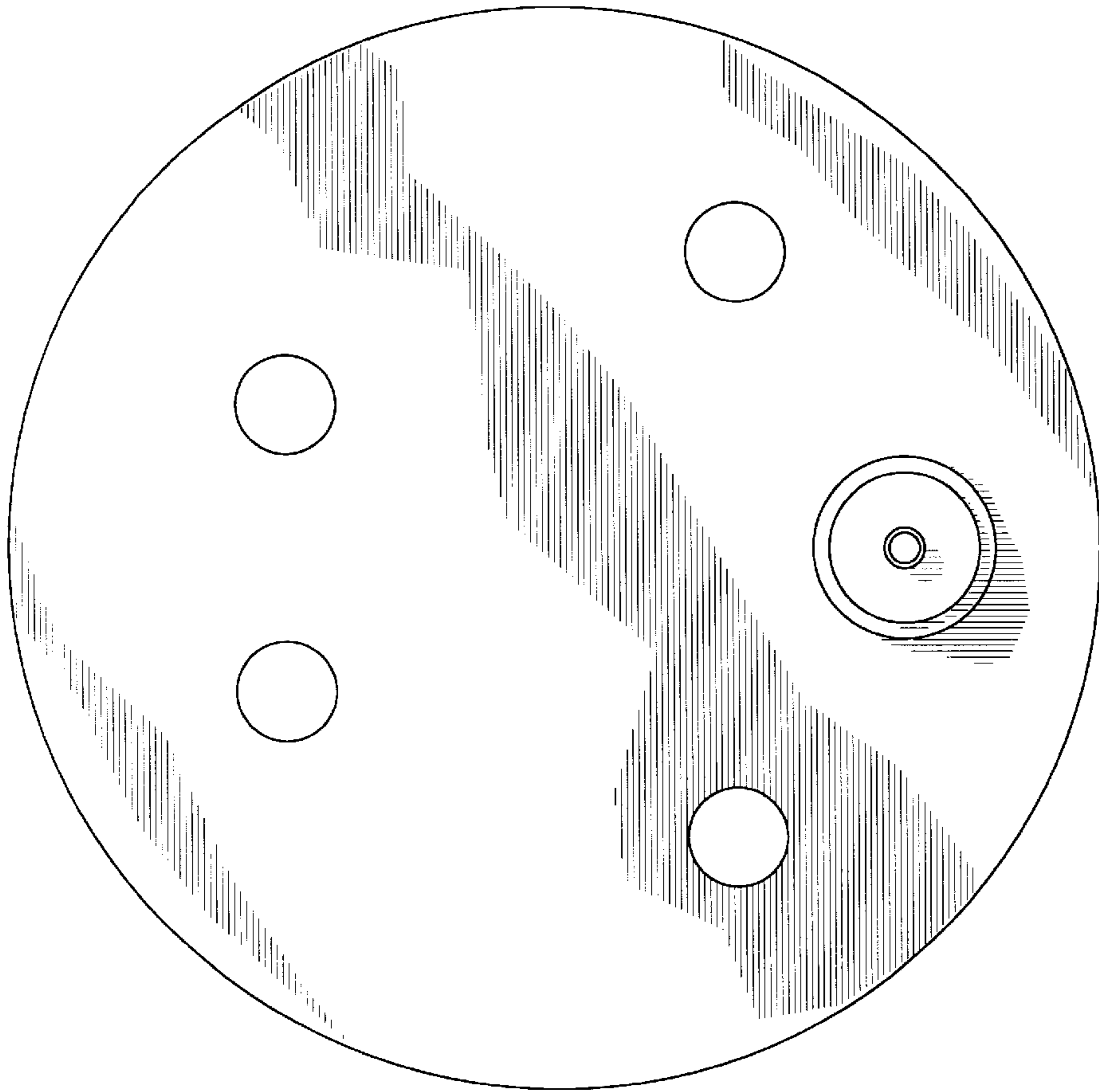


FIG. 1

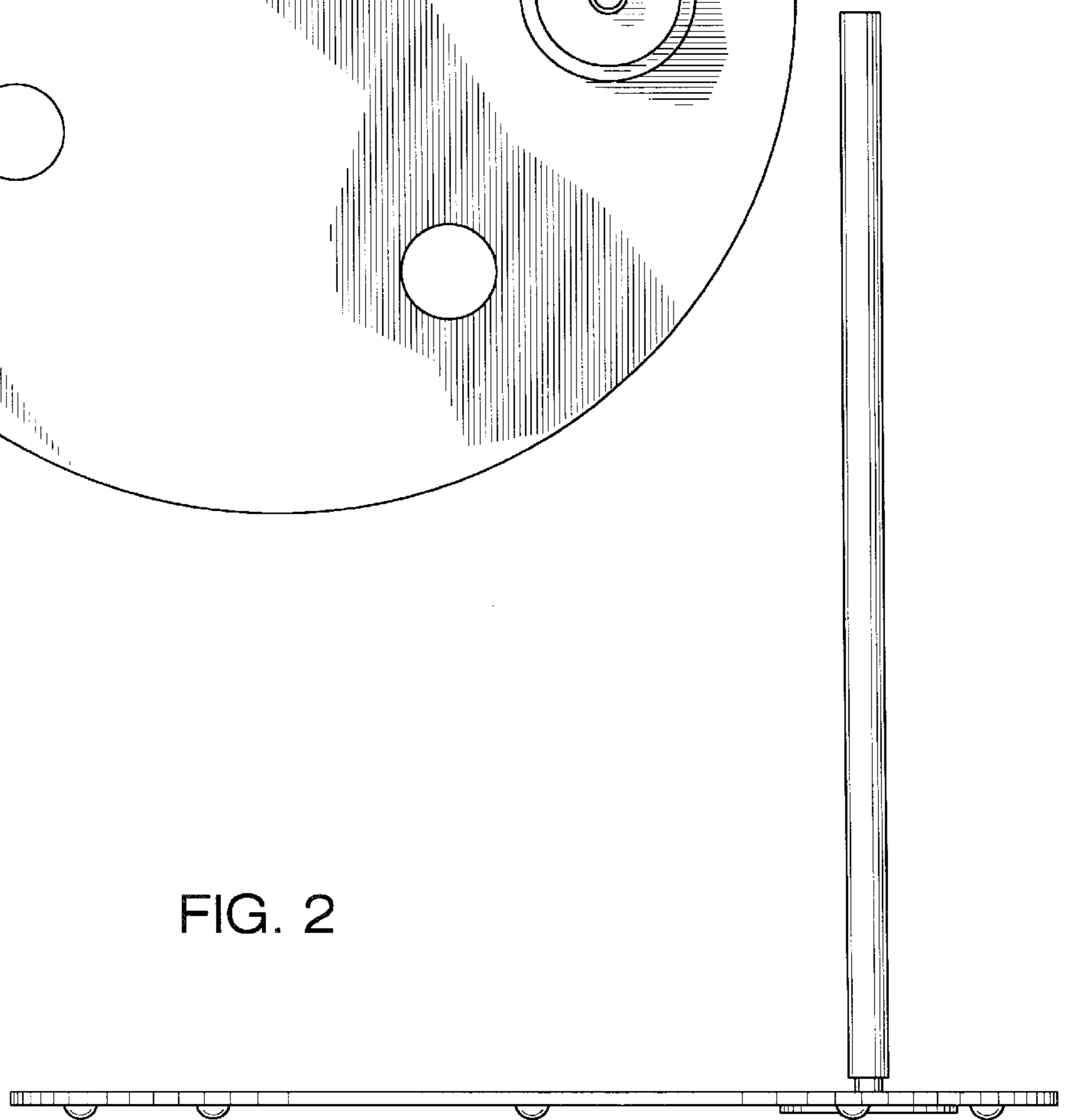


FIG. 2

FIG. 3

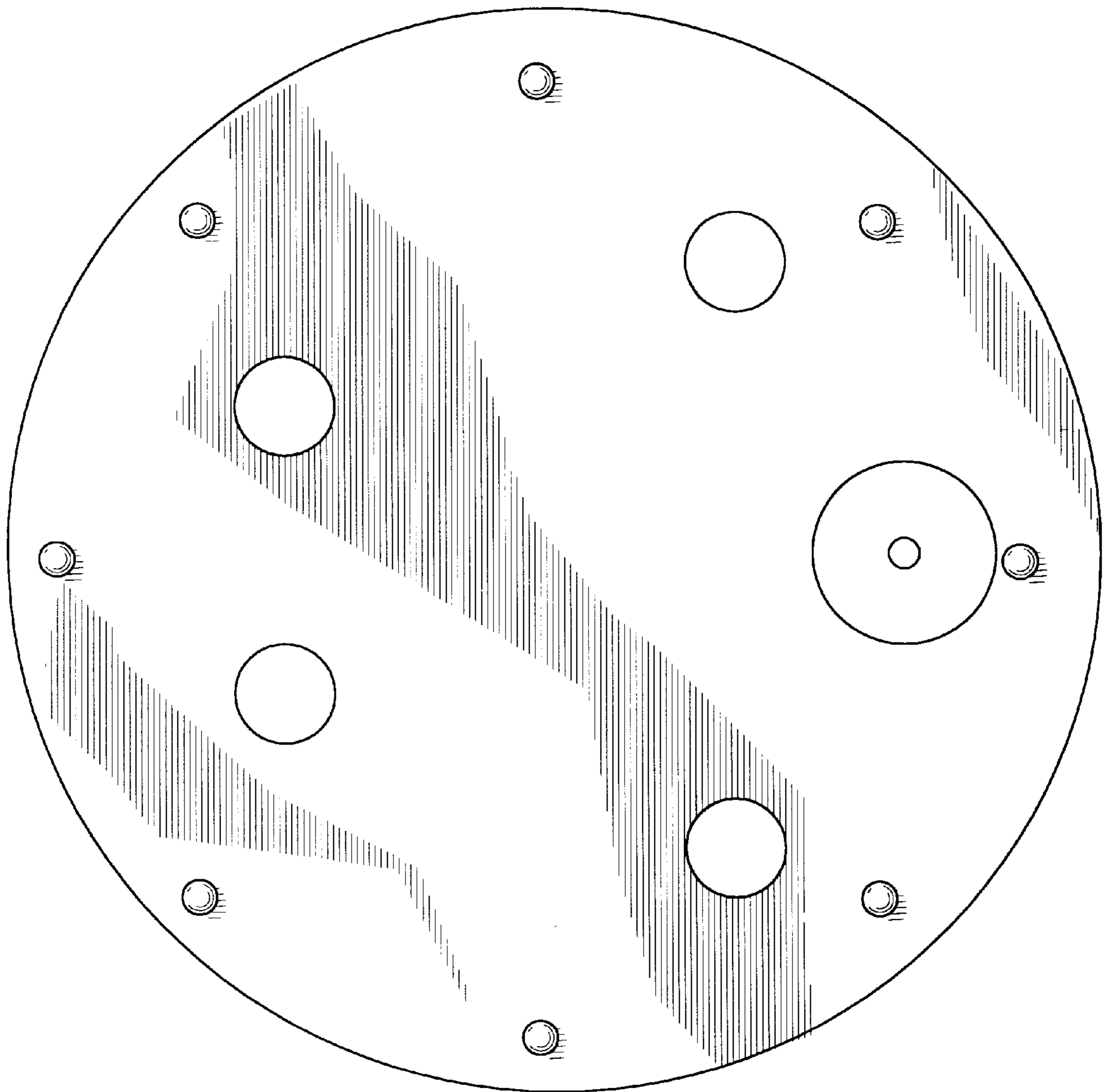


FIG. 4

