



US00D422420S

**United States Patent** [19]  
**Shilling et al.**

[11] **Patent Number: Des. 422,420**  
[45] **Date of Patent: \*\* \*Apr. 11, 2000**

[54] **TABLE**

[75] Inventors: **Jerry L. Shilling**, Syracuse; **Michael R. Schilling**, Pierceton; **David A. Reichard**, Warsaw, all of Ind.

[73] Assignee: **Wabash Valley Manufacturing, Inc.**, Silver Lake, Ind.

[\*] Notice: This patent is subject to a terminal disclaimer.

[\*\*] Term: **14 Years**

[21] Appl. No.: **29/092,713**

[22] Filed: **Aug. 25, 1998**

[51] **LOC (6) Cl.** ..... **06-01**

[52] **U.S. Cl.** ..... **D6/337**

[58] **Field of Search** ..... D6/334, 337, 369, D6/370, 500, 501, 502; 297/157.1, 158.3

[56] **References Cited**

**U.S. PATENT DOCUMENTS**

D. 165,710	1/1952	Currie et al. .	
D. 190,744	6/1961	Guice .....	297/158.3
D. 222,806	1/1972	Wise .	
D. 228,162	8/1973	Fink .	
D. 231,963	7/1974	May .	
D. 277,442	2/1985	Crowell .	
D. 327,778	7/1992	Crawford .....	D6/337
D. 357,590	4/1995	Noll .....	D6/337
D. 368,807	4/1996	Noll .....	D6/337
3,758,152	9/1973	Lake .	
3,847,424	11/1974	Nielsen .	

3,910,631	10/1975	Inaba .
4,023,859	5/1977	Hagenson .
4,522,443	6/1985	Van Blankenburg .
5,452,936	9/1995	Koehring .

**OTHER PUBLICATIONS**

1998 "Plastisol" Coated Furniture Catalog, Wabash Valley Mfg., Inc.  
Vinyl Coated Steel Recreational Furniture 1998 Catalog, Diversified Metal Fabricators, Inc.  
Superior Line Outdoor/Indoor Furniture 1996 Catalog, Fusion Coatings, Inc.  
Specializing in Vinyl Coated Steel Recreational Furniture Catalog, Diversified Metal Fabricators, Inc., 12<sup>th</sup> Edition, Jan., 1996.  
Recreation Catalog, Ken Coat, Inc., Dec. 1, 1995.

*Primary Examiner*—Doris V. Coles  
*Assistant Examiner*—Mimosa De  
*Attorney, Agent, or Firm*—Bose McKinney & Evans

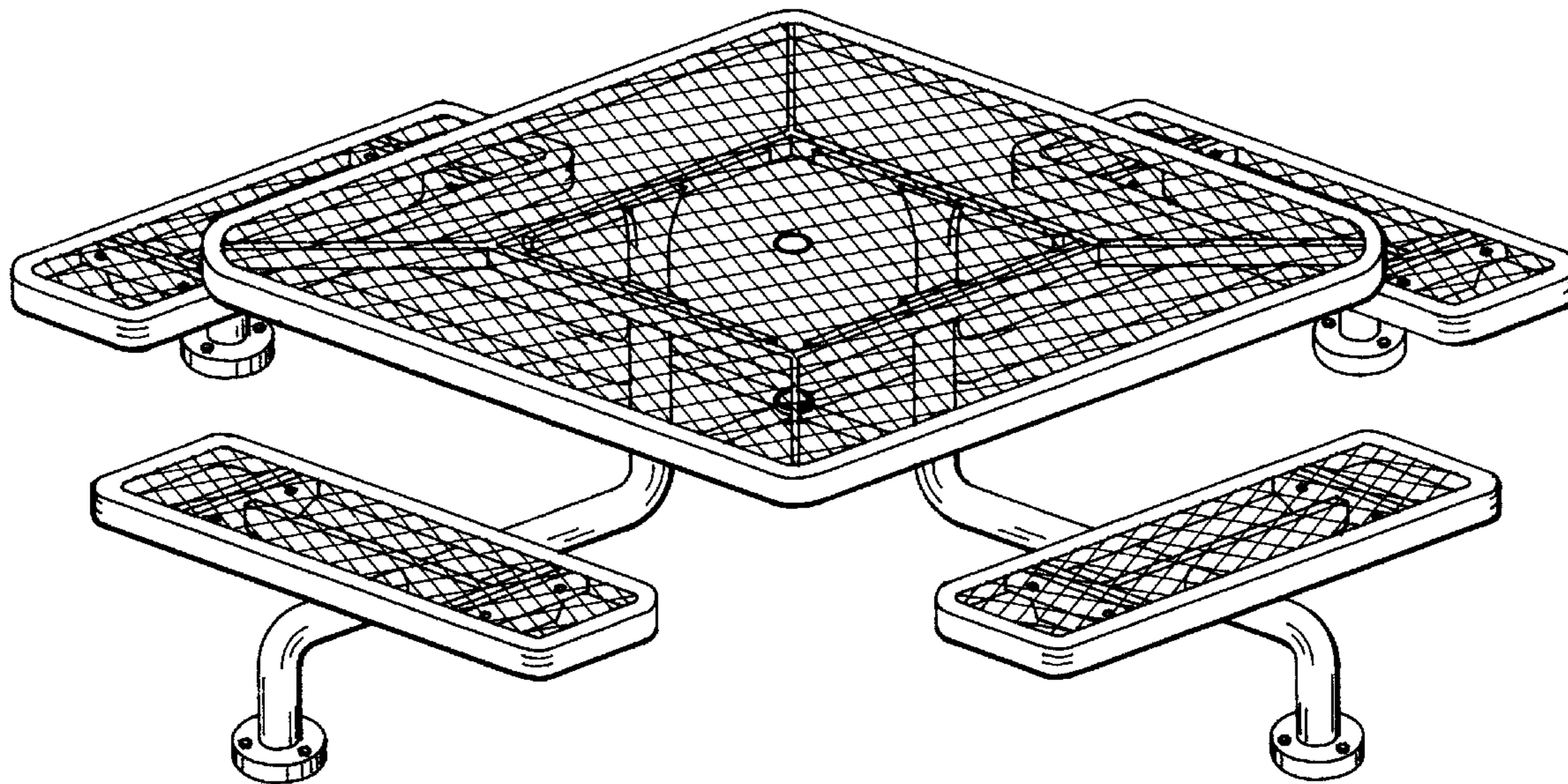
[57] **CLAIM**

The ornamental design for a table, as shown and described.

**DESCRIPTION**

FIG. 1 is a perspective view of a table, showing our new design;  
FIG. 2 is a front elevational view thereof showing the table;  
FIG. 3 is a right side elevational view thereof;  
FIG. 4 is a rear elevational view thereof;  
FIG. 5 is a left side elevational view thereof;  
FIG. 6 is a top view thereof; and,  
FIG. 7 is a bottom view thereof.

**1 Claim, 4 Drawing Sheets**



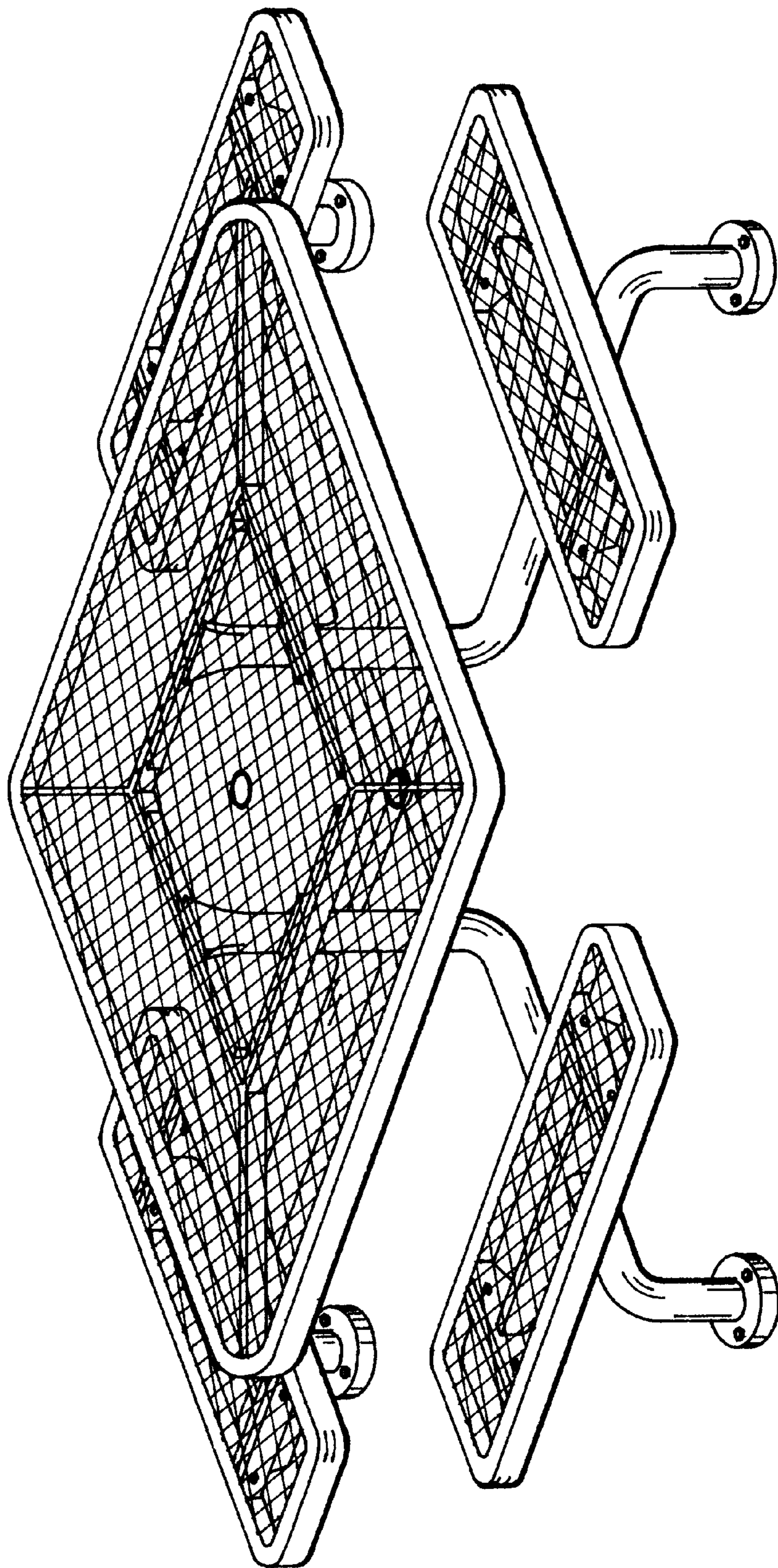


FIG. 1

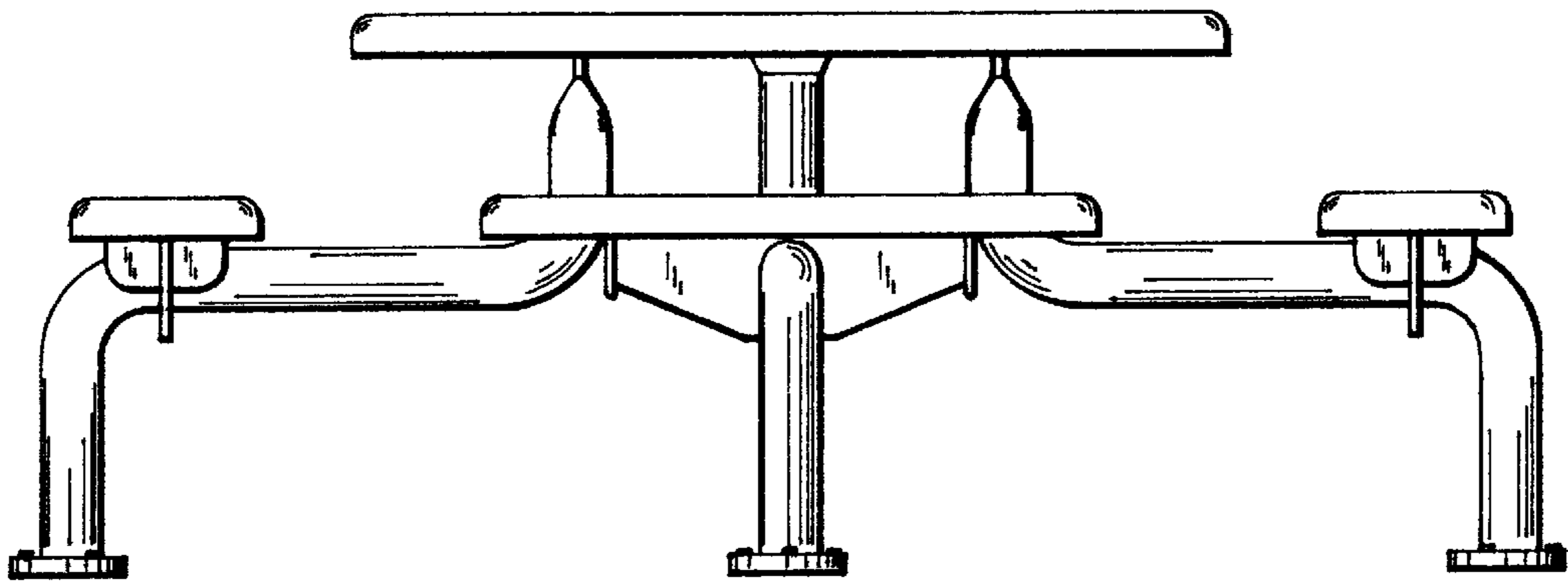


FIG. 2

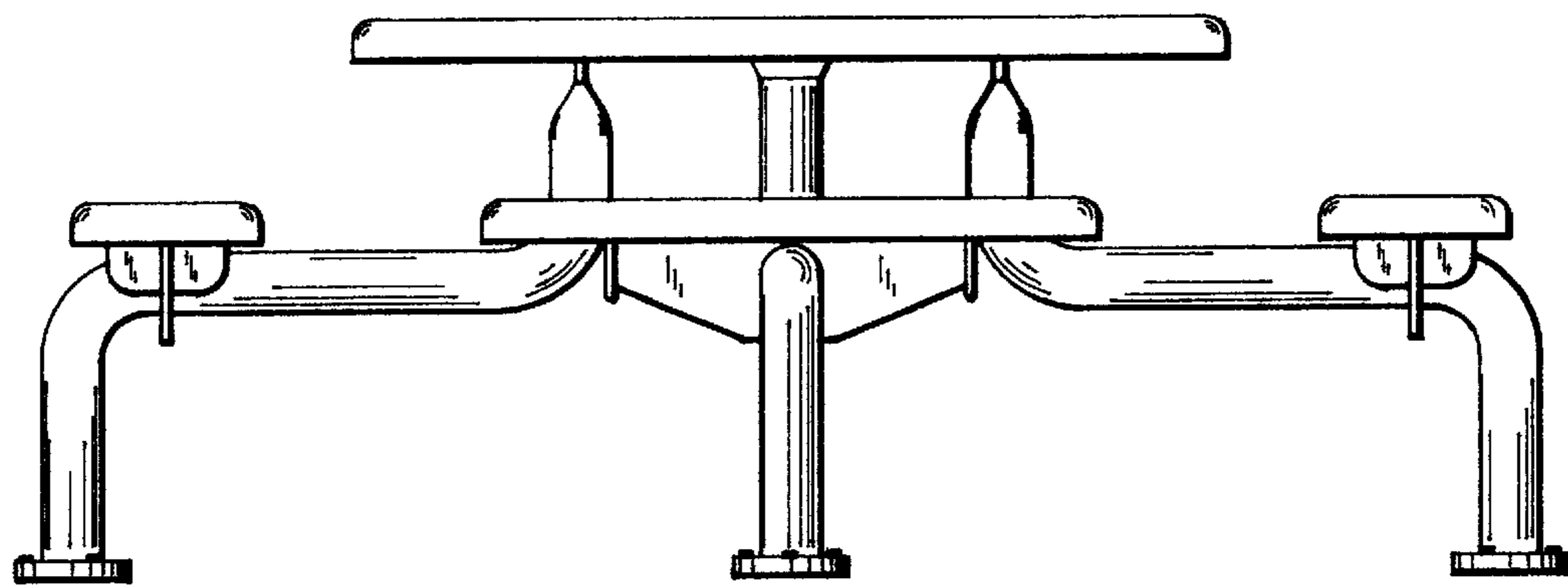


FIG. 3

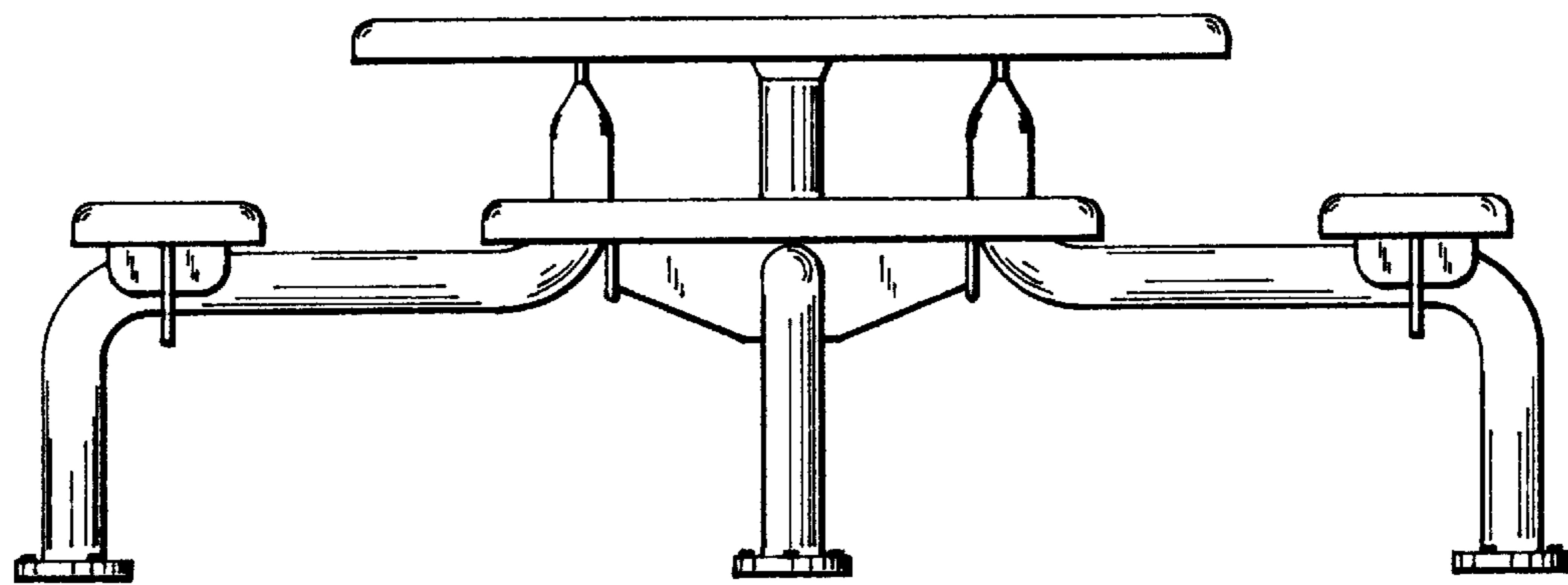


FIG. 4

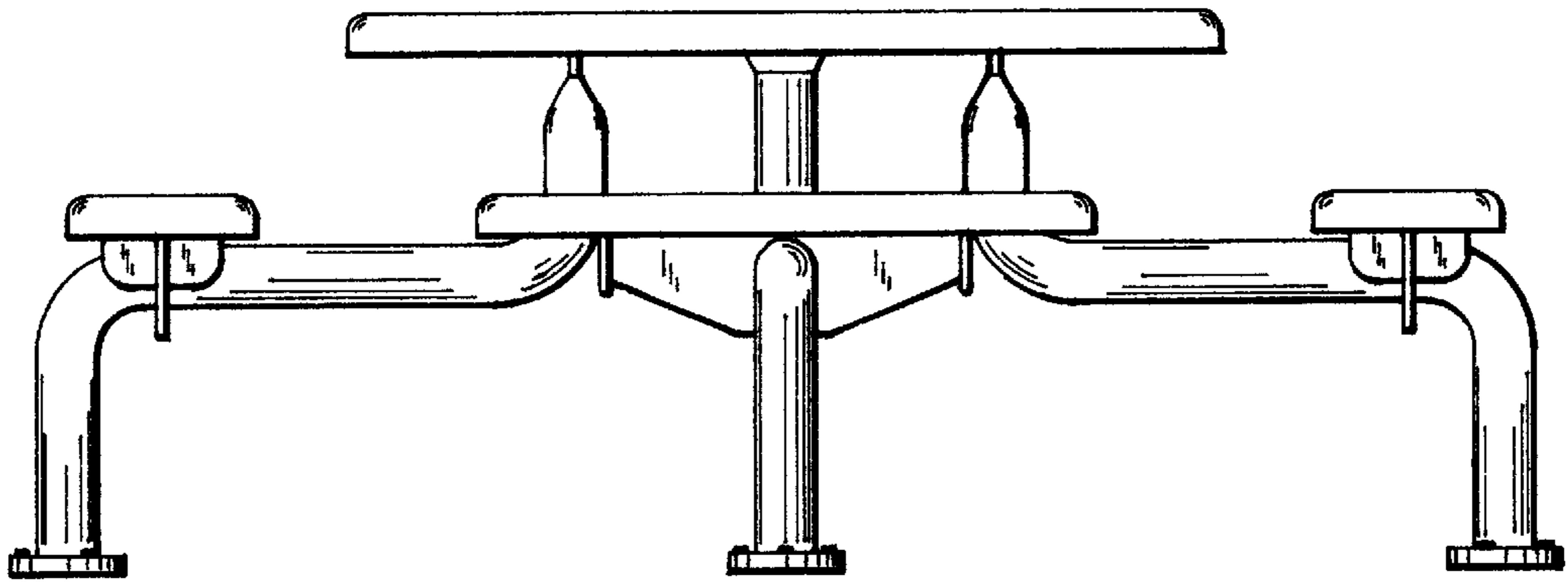


FIG. 5

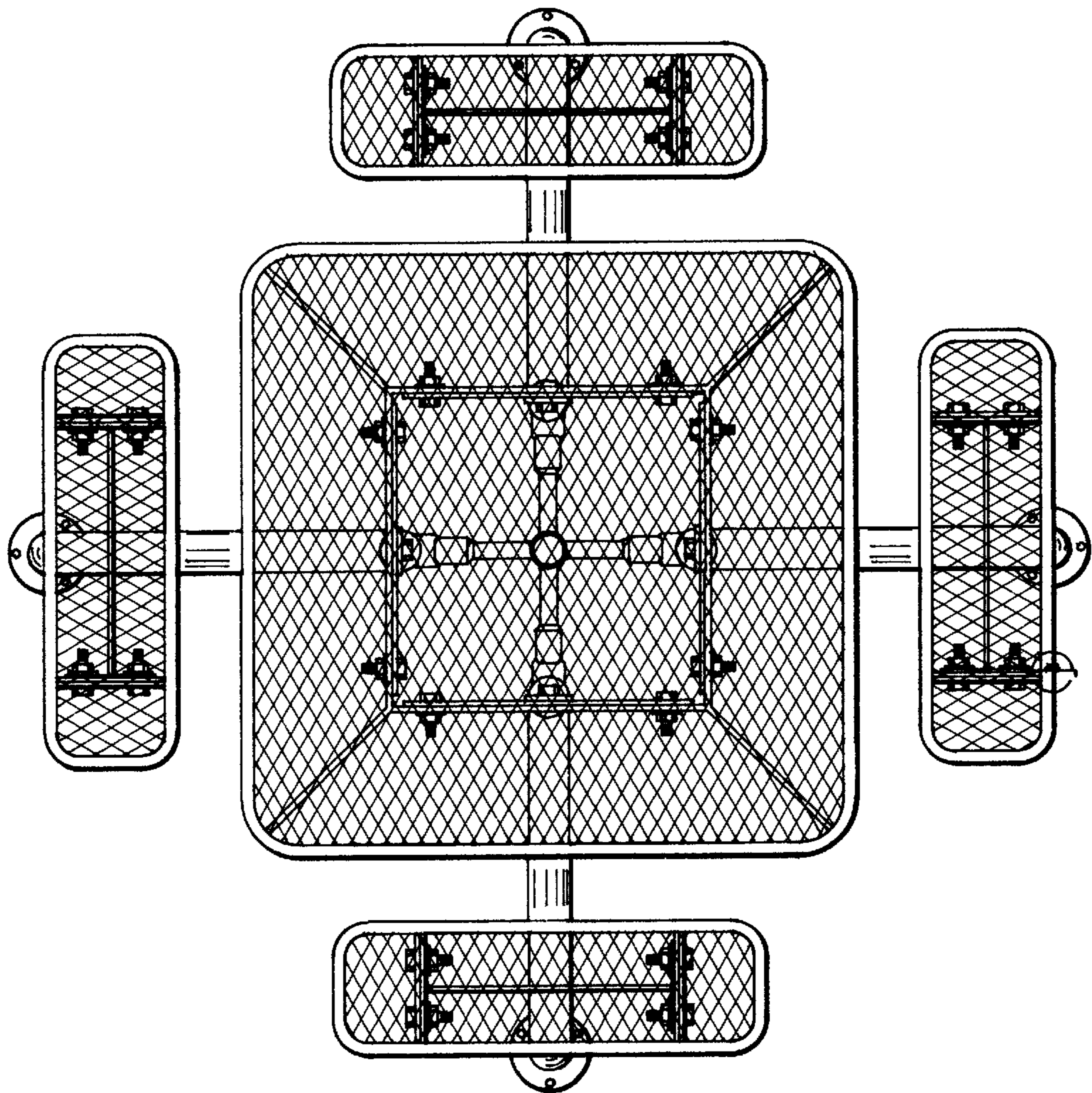


FIG. 6

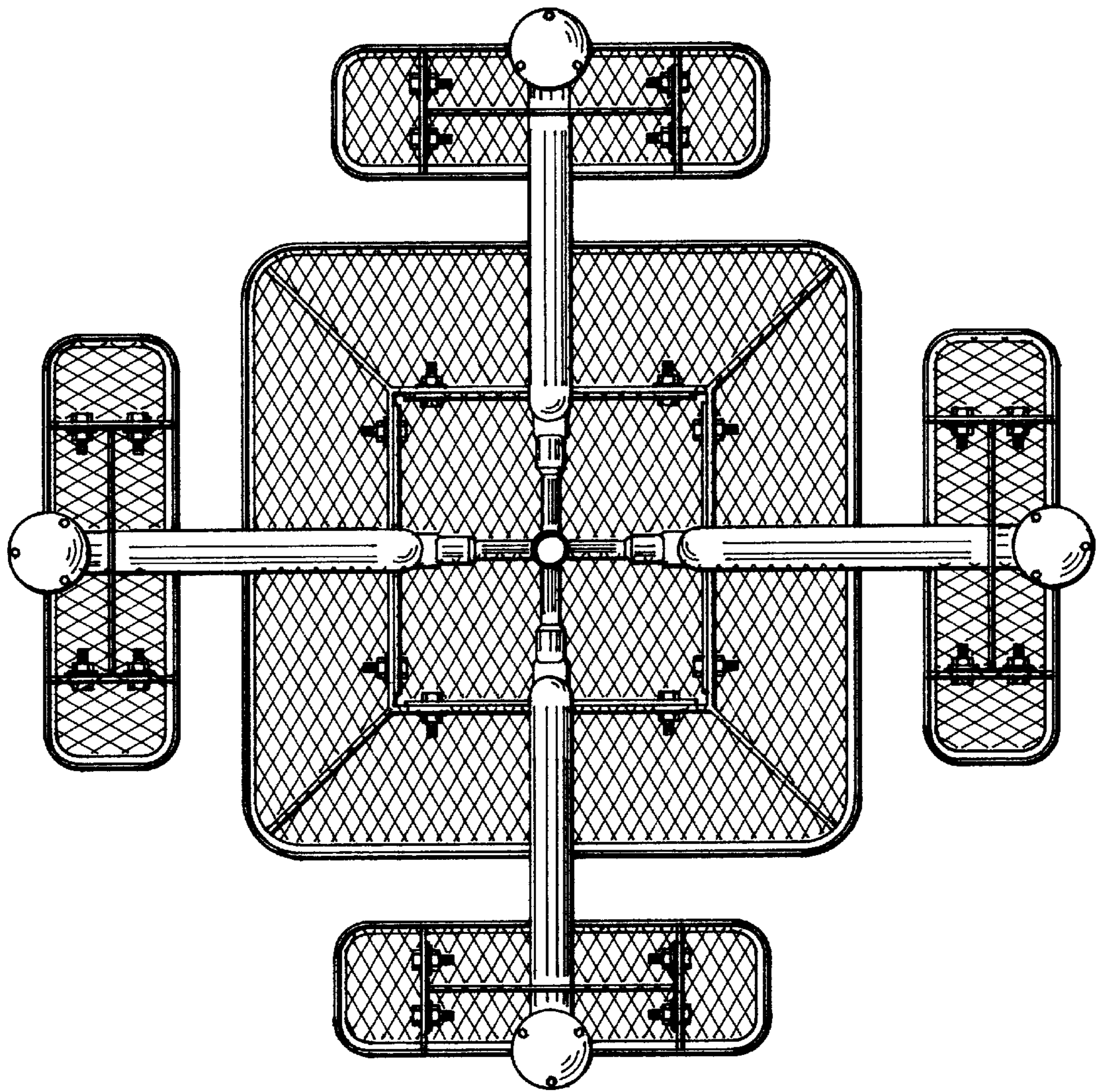


FIG. 7