



US00D422414S

United States Patent [19] Harada

[11] Patent Number: **Des. 422,414**

[45] Date of Patent: **** Apr. 11, 2000**

[54] **LIMITED DEXTERITY TOOTHBRUSH**

[76] Inventor: **Stephen D. Harada**, 614 Blair Ave.,
Piedmont, Calif. 94611

[**] Term: **14 Years**

[21] Appl. No.: **29/102,725**

[22] Filed: **Mar. 29, 1999**

[51] **LOC (6) Cl.** **04-02**

[52] **U.S. Cl.** **D4/111; D4/129**

[58] **Field of Search** D4/101, 104-112,
D4/129, 132-134, 138; 15/22.1, 143.1,
159.1, 160, 167.1, 167.2, 186-188; 132/308;
601/139, 141; D8/97, 107

[56] **References Cited**

U.S. PATENT DOCUMENTS

D. 190,318	5/1961	Vallis	D4/129
D. 299,386	1/1989	Jacobs	D4/104
D. 321,092	10/1991	Woll et al.	D4/106
D. 324,958	3/1992	Piano	D4/104
D. 342,160	12/1993	Curtis et al.	D4/104
D. 370,347	6/1996	Heinzelman et al.	D4/104
D. 389,312	1/1998	Porter	D4/104
D. 404,921	2/1999	Smith	D4/104
1,257,883	2/1918	Kone	15/26
1,517,320	12/1924	Stoddart	15/22.1
2,103,083	12/1937	Lynch	601/139
2,273,207	2/1942	Kuhn	15/167.1

2,674,000	4/1954	McDonald, Jr. et al.	15/167.1 X
3,214,776	11/1965	Bercovitz	15/26
4,654,921	4/1987	Dinner	15/167.1
5,048,143	9/1991	Carroll	15/110
5,078,732	1/1992	Ceniceros	606/235
5,291,878	3/1994	Lombardo et al.	601/139
5,341,537	8/1994	Curtis et al.	15/167.1
5,392,483	2/1995	Heinzelman et al.	15/167.1
5,623,739	4/1997	Thompson	15/167.1

Primary Examiner—Alan P. Douglas
Assistant Examiner—Lavone D. Tabor
Attorney, Agent, or Firm—Holland & Knight LLP

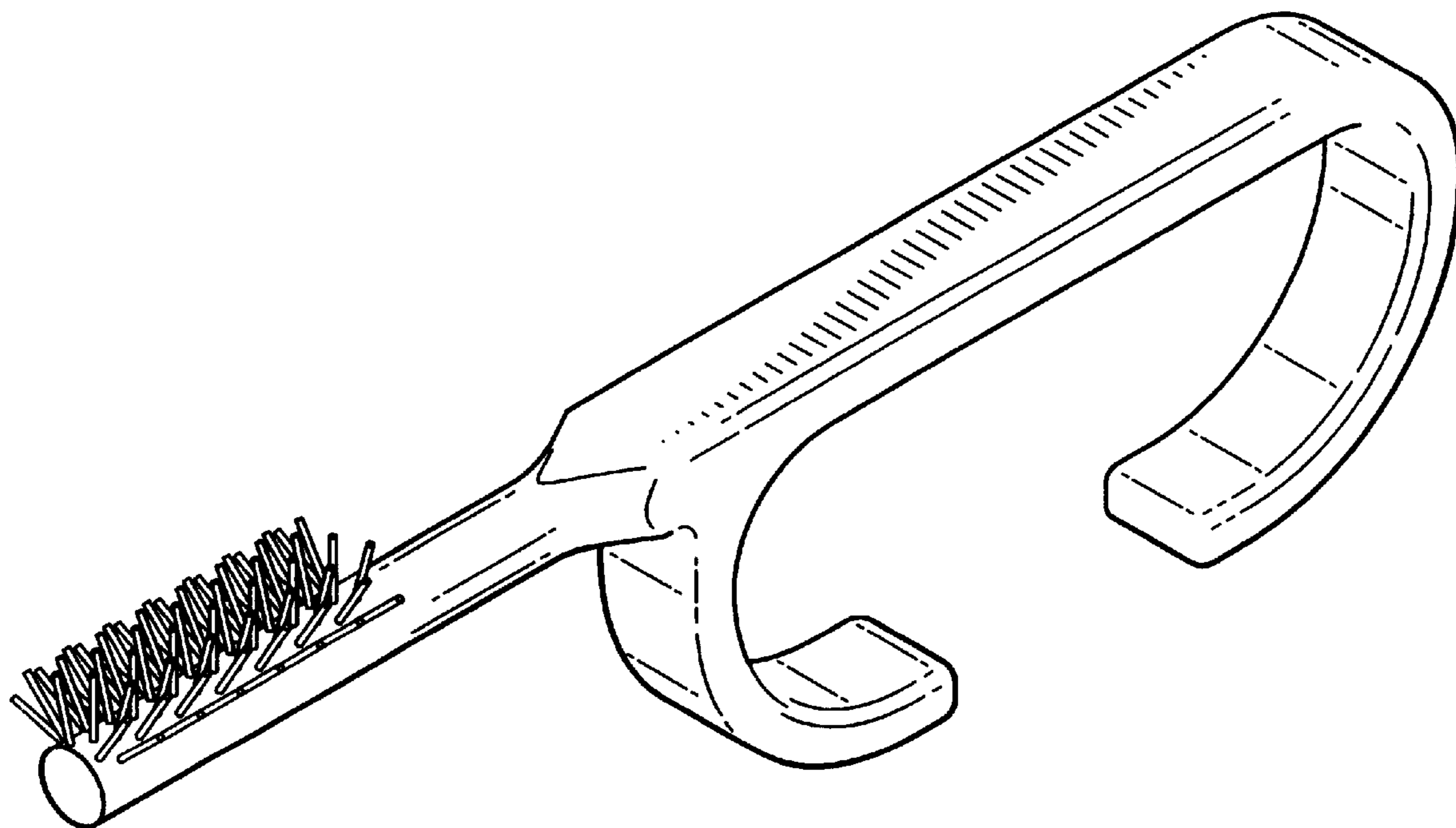
[57] **CLAIM**

The ornamental design for a limited dexterity toothbrush, as shown and described.

DESCRIPTION

FIG. 1 is a perspective view of my ornamental design for a limited dexterity toothbrush;
FIG. 2 is a front view thereof;
FIG. 3 is a rear view thereof;
FIG. 4 is a right side elevational view thereof;
FIG. 5 is a left side elevational view thereof;
FIG. 6 is an end view thereof as seen from the left side of FIG. 2; and,
FIG. 7 is an end view thereof as seen from the right side of FIG. 2.

1 Claim, 2 Drawing Sheets



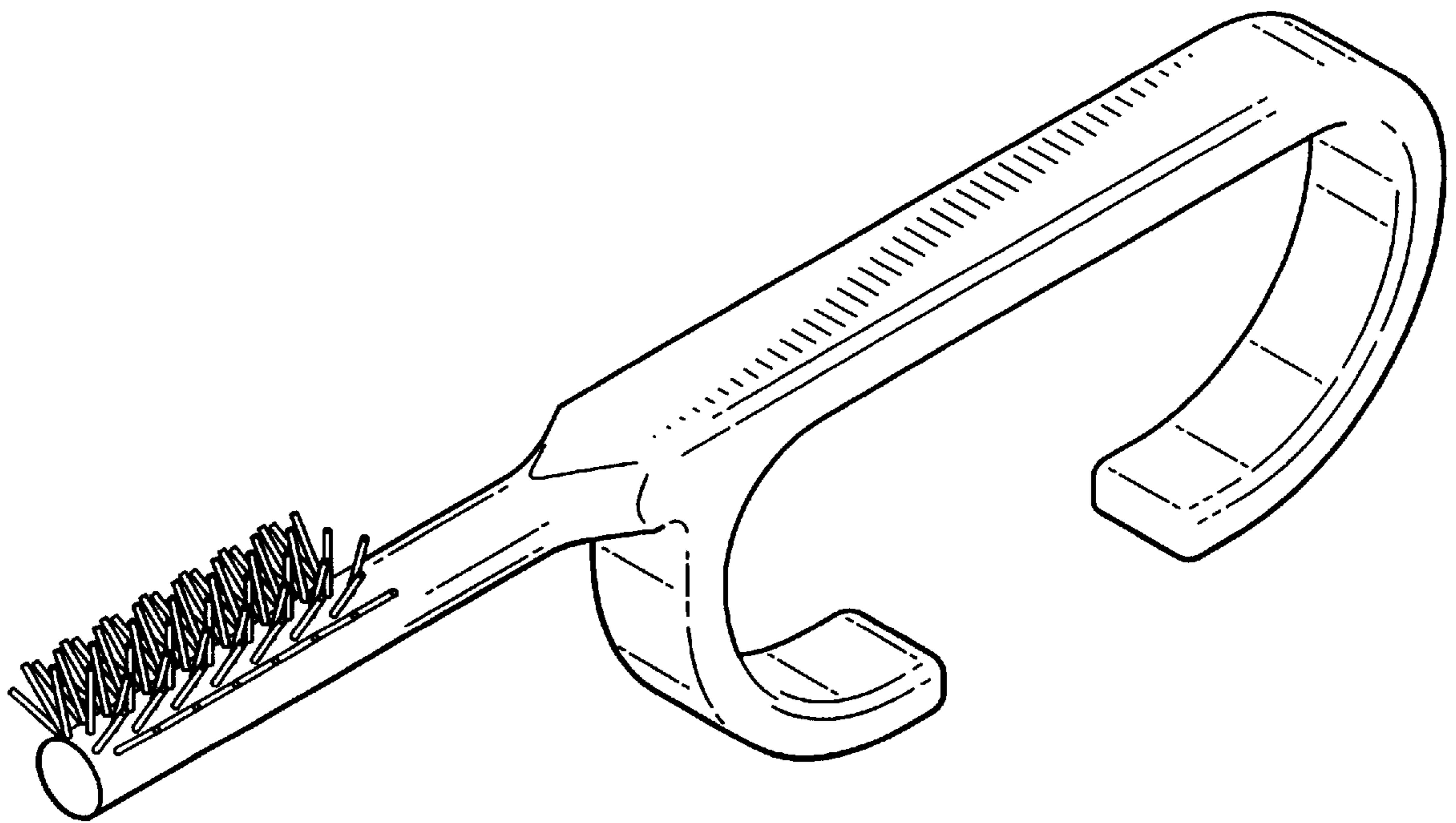


FIG. 1

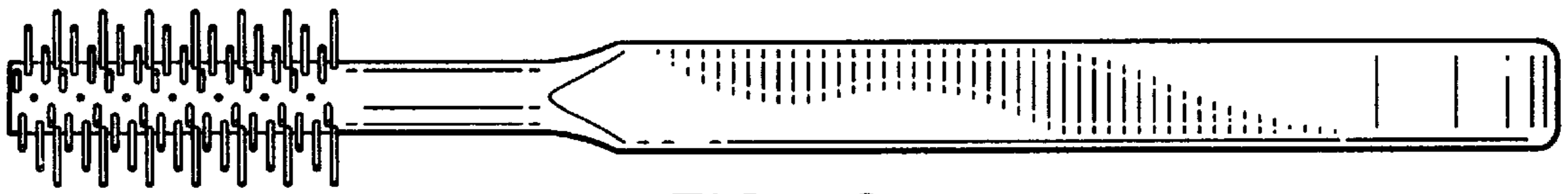


FIG. 2

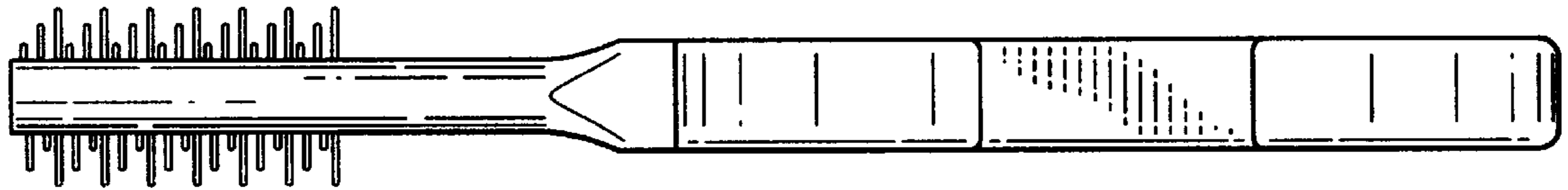


FIG. 3

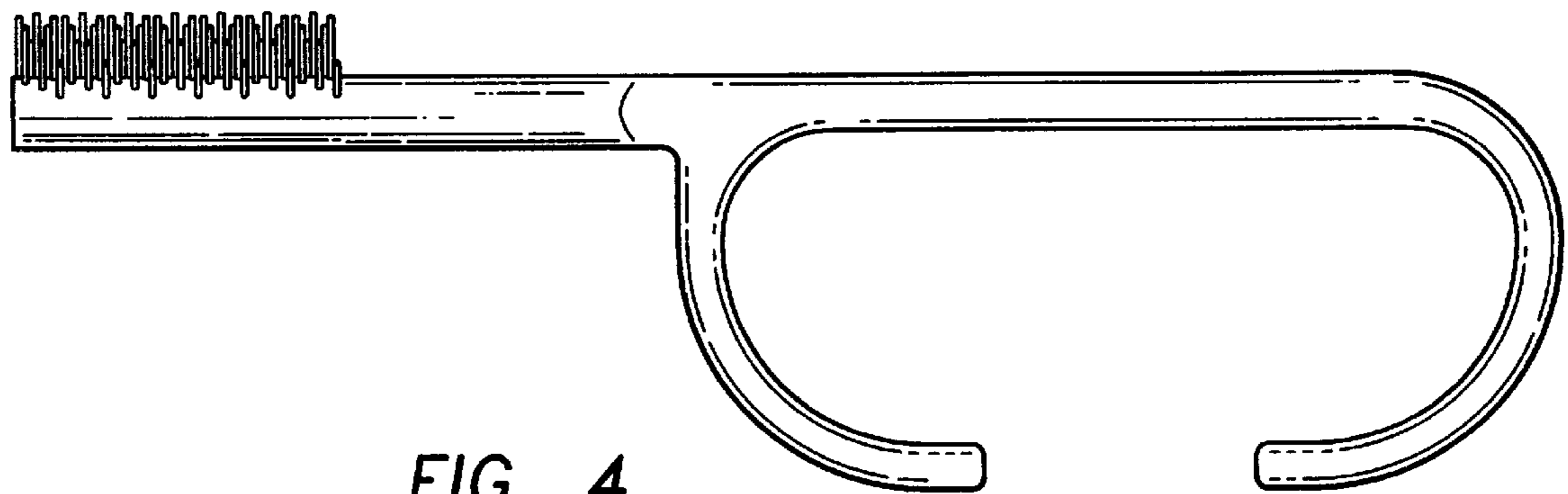


FIG. 4

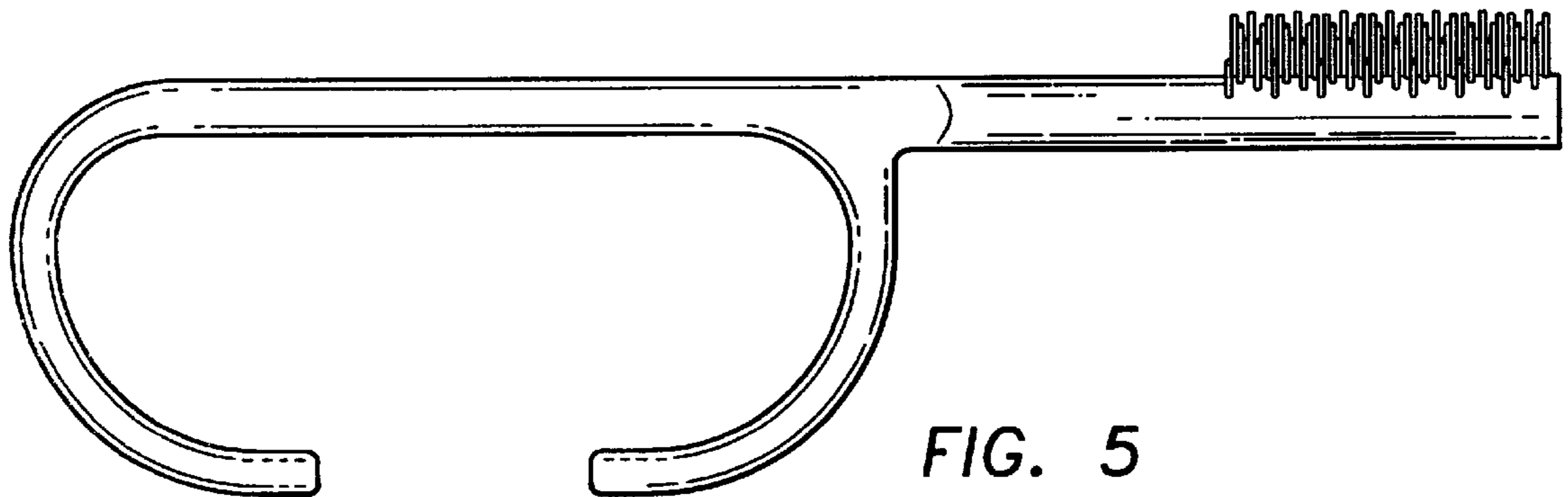


FIG. 5

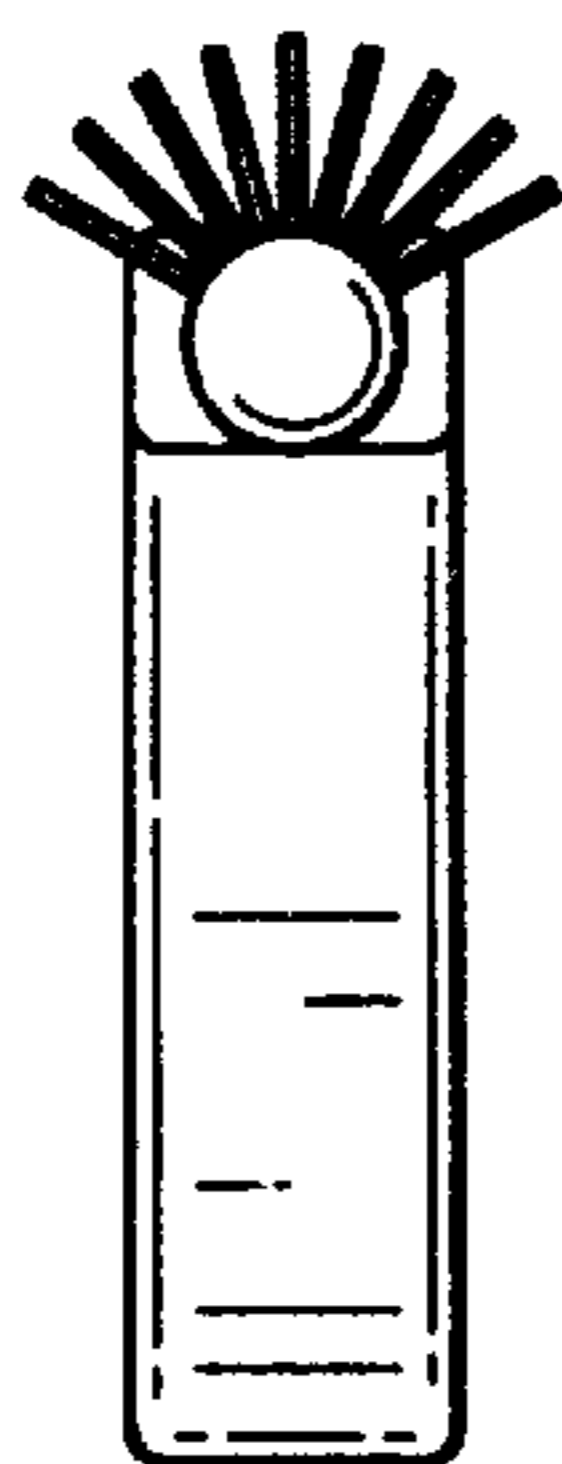


FIG. 6

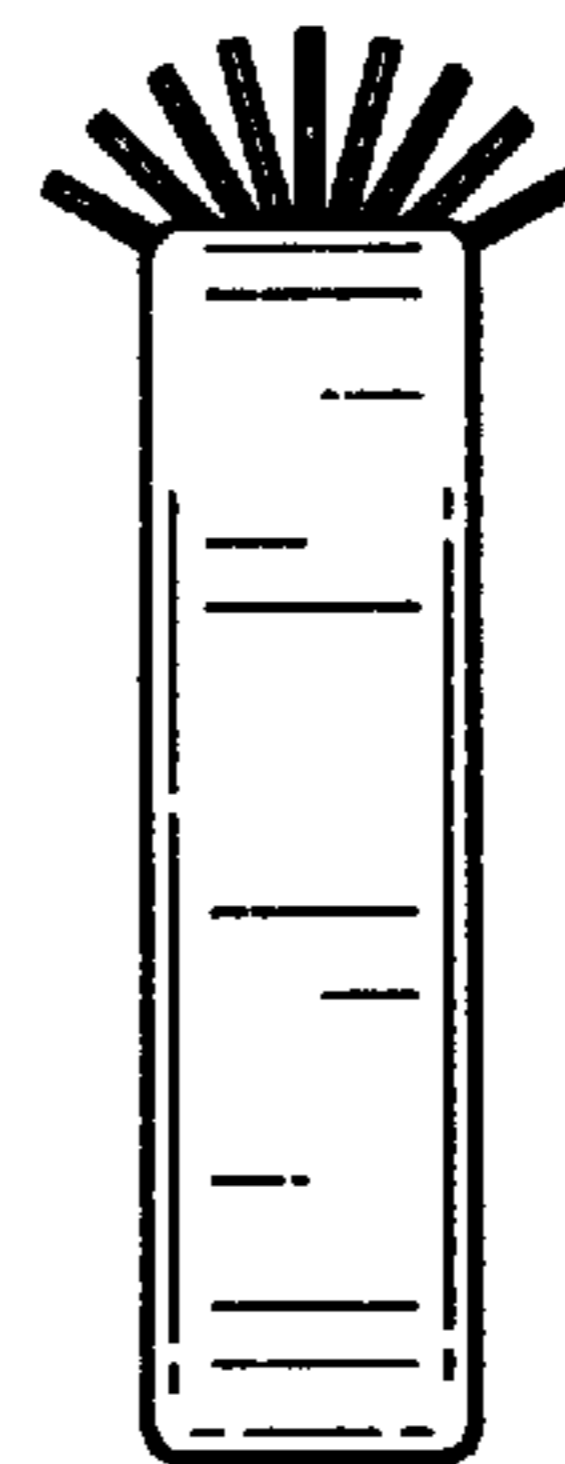


FIG. 7