



US00D422407S

# United States Patent [19]

[11] **Patent Number: Des. 422,407**

**Sundara et al.**

[45] **Date of Patent: \*\* Apr. 11, 2000**

[54] **GOLF BAG WITH CARRY OVER ACCENT BREAK**

*Attorney, Agent, or Firm*—Blakely, Sokoloff, Taylor & Zafman LLP

[75] Inventors: **Chloe Helen Sundara**, Mill Valley; **Eric Penman Bogner**; **Bruce Stephen Levin**, both of San Francisco, all of Calif.

### [57] CLAIM

The ornamental design for a golf bag with carry over accent break, as shown and described.

[73] Assignee: **Sundara Industries, Ltd.**, San Francisco, Calif.

### DESCRIPTION

[\*\*] Term: **14 Years**

FIG. 1 is a right side elevational view of a golf bag according to one embodiment.

[21] Appl. No.: **29/076,359**

FIG. 2 is a right side aerial view of the golf bag shown in FIG. 1.

[22] Filed: **Sep. 9, 1997**

FIG. 3 is a right side elevational view of the golf bag shown in FIG. 1 with the clothing pocket removed.

[51] **LOC (6) Cl.** ..... **03-01**

[52] **U.S. Cl.** ..... **D3/255**

[58] **Field of Search** ..... D3/255, 254; 206/315.2, 206/315.3, 315.4, 315.5, 315.6, 315.7, 315.8

FIG. 4 is a left side elevational view of the golf bag shown in FIG. 1.

FIG. 5 is a left side aerial view of the golf bag shown in FIG. 1.

### [56] References Cited

#### U.S. PATENT DOCUMENTS

D. 205,363	7/1966	Penna	.....	D3/255
D. 308,441	6/1990	Quellais	.....	D3/255
D. 339,226	9/1993	Quellais	.....	D3/255
2,861,614	11/1958	Kish, Jr.	.....	206/315.5 X

FIG. 6 is a right side elevational view of a golf bag according to an alternative embodiment.

FIG. 7 is a right side aerial view of the golf bag shown in FIG. 6.

FIG. 8 is a right side elevational view of the golf bag shown in FIG. 6 with the clothing pocket removed.

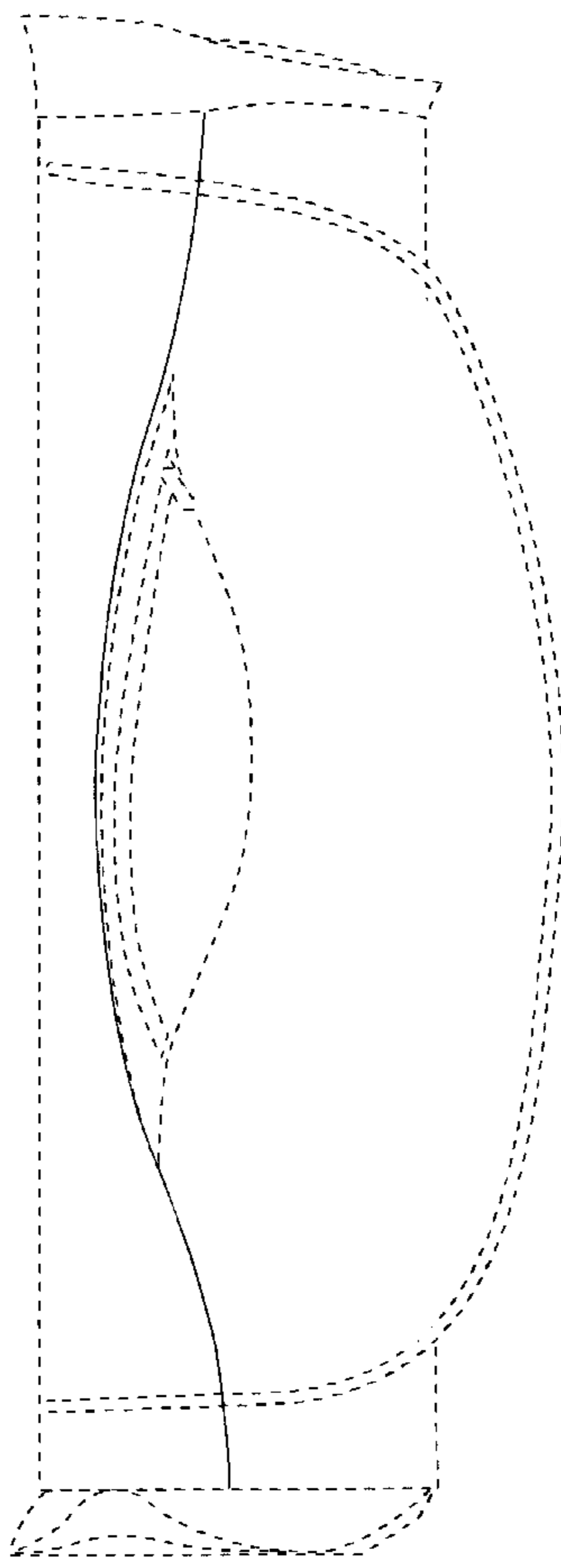
FIG. 9 is a left side elevational view of the golf bag shown in FIG. 6; and,

FIG. 10 is a left side aerial view of the golf bag shown in FIG. 6.

*Primary Examiner*—Louis S. Zarfes

*Assistant Examiner*—Catherine R. Oliver

**1 Claim, 10 Drawing Sheets**



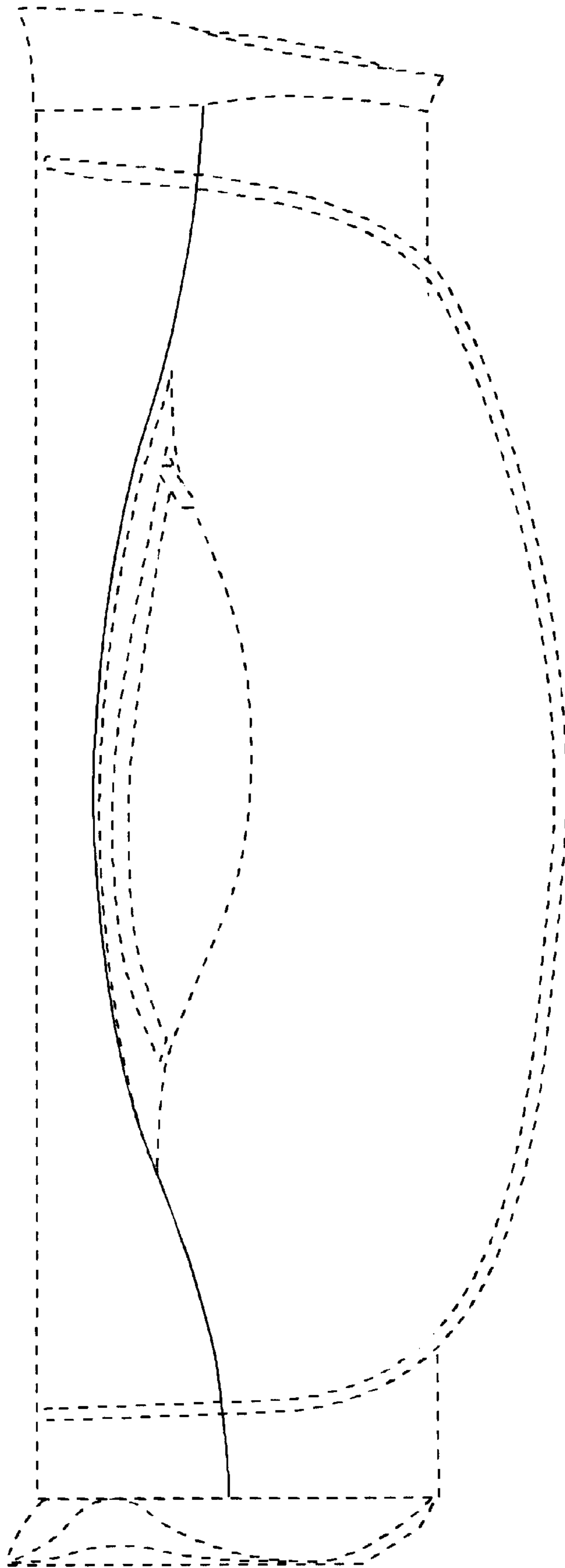


Fig. 1

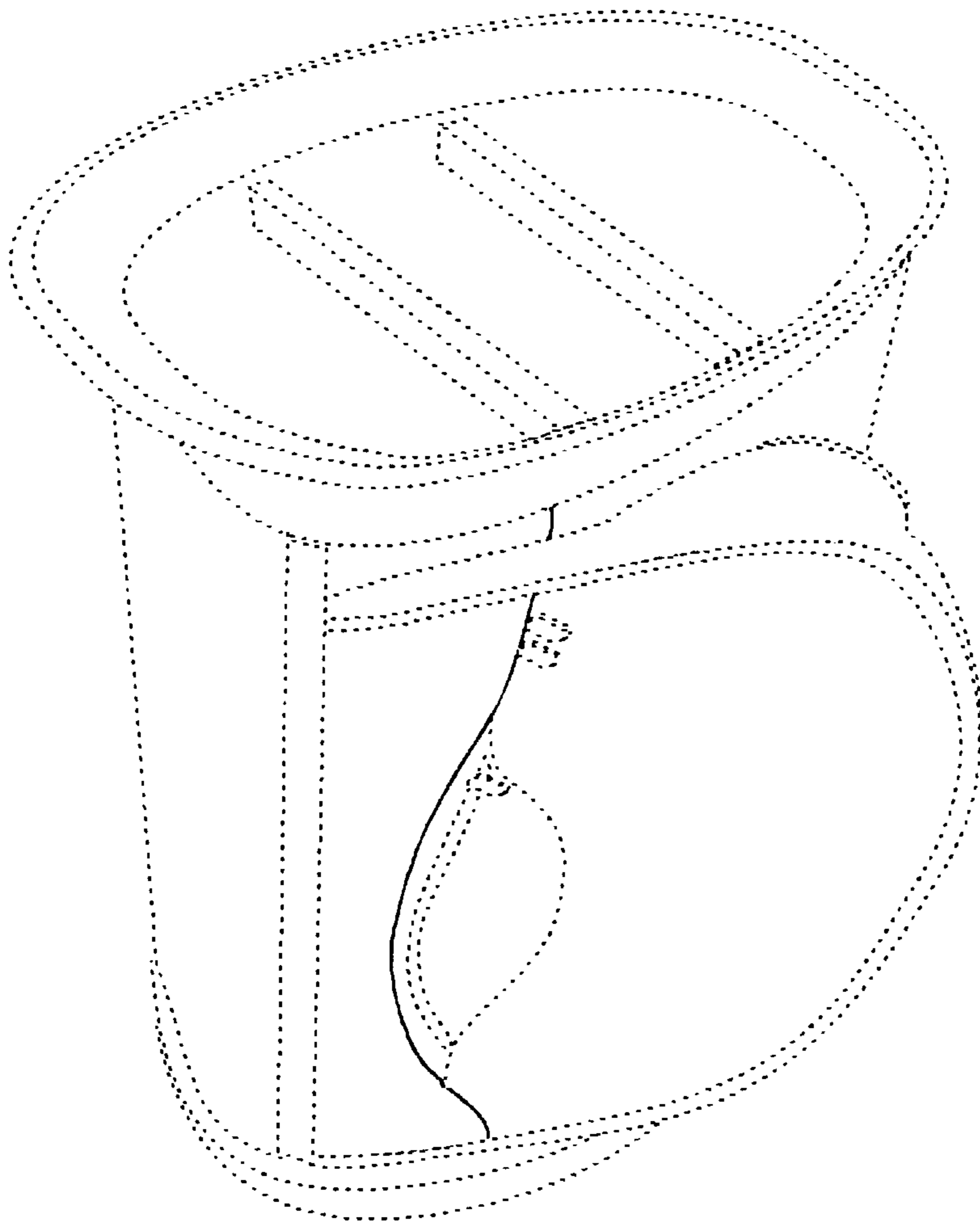


Fig. 2

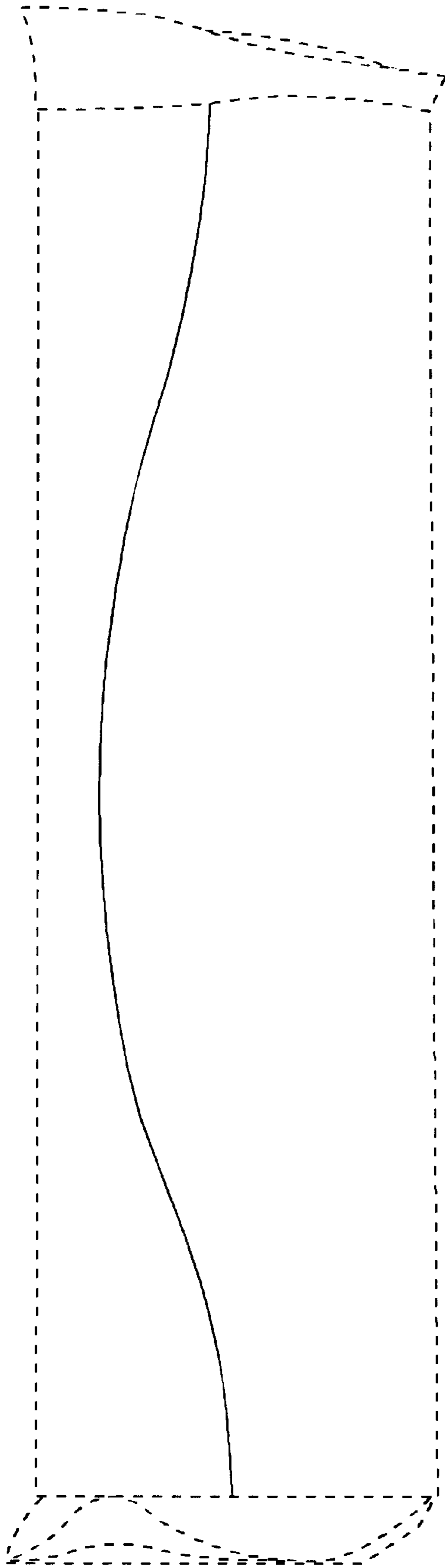


Fig. 3

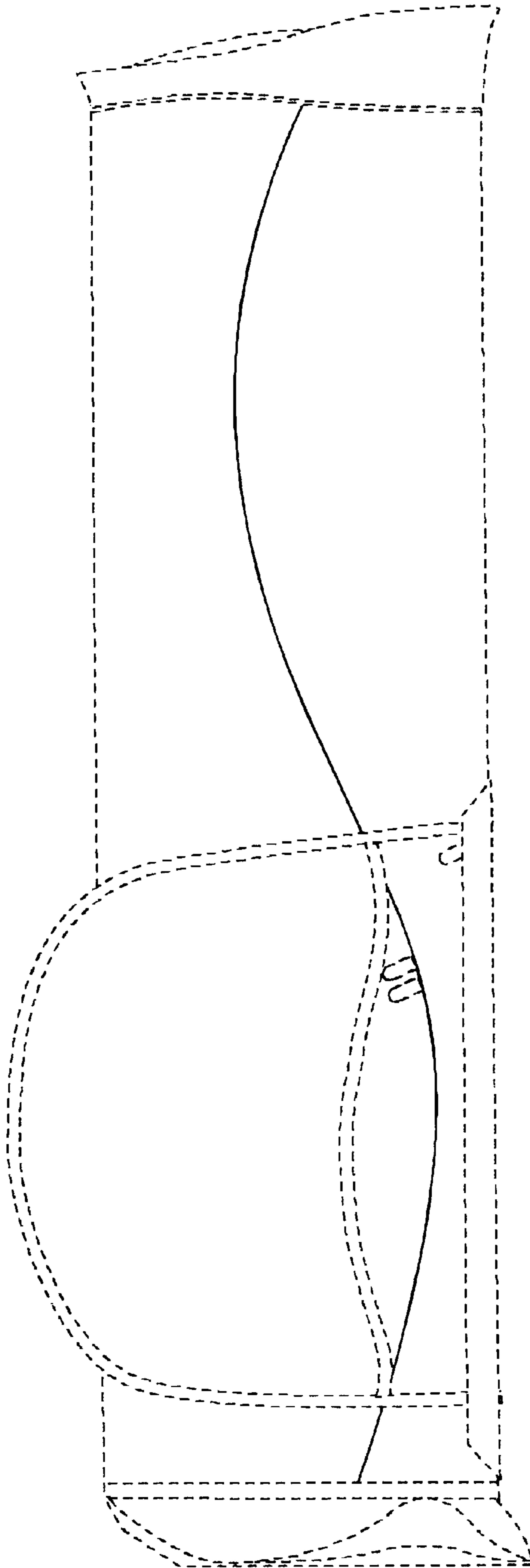


Fig. 4

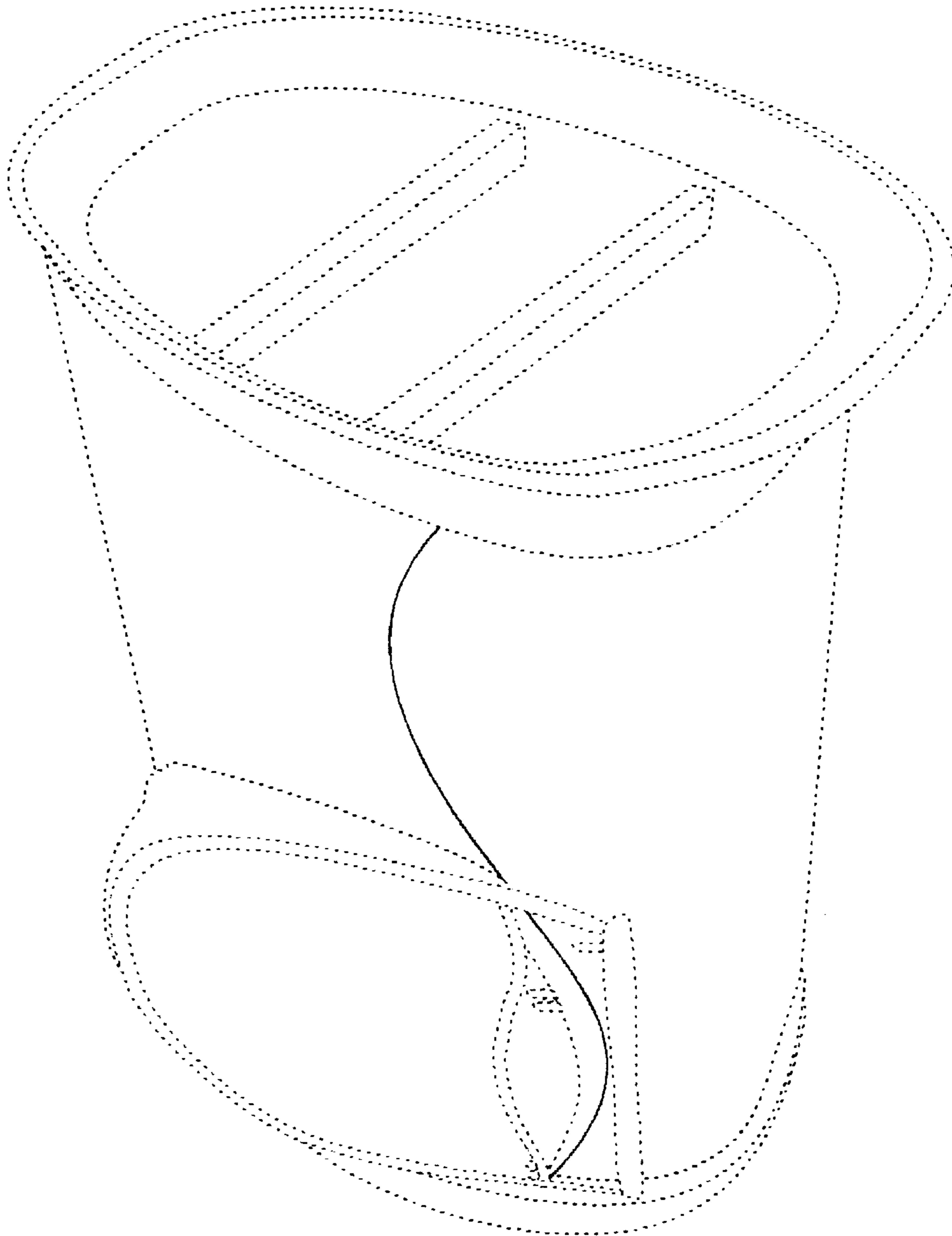


Fig. 5

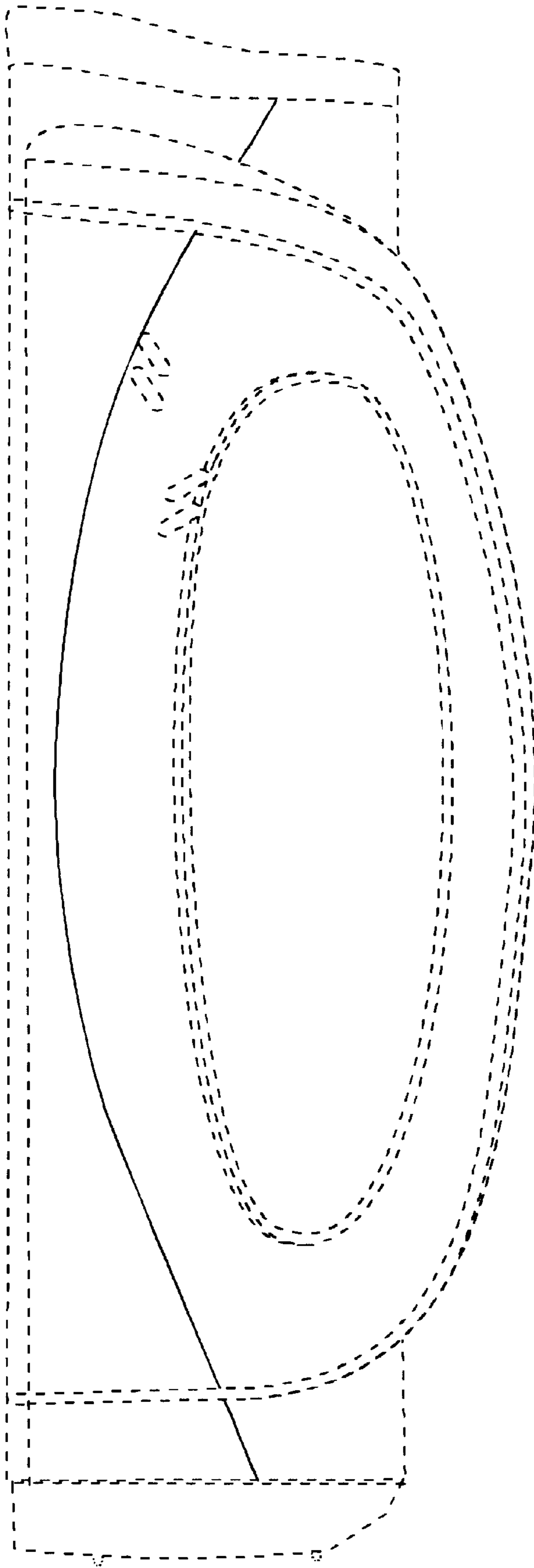


Fig. 6

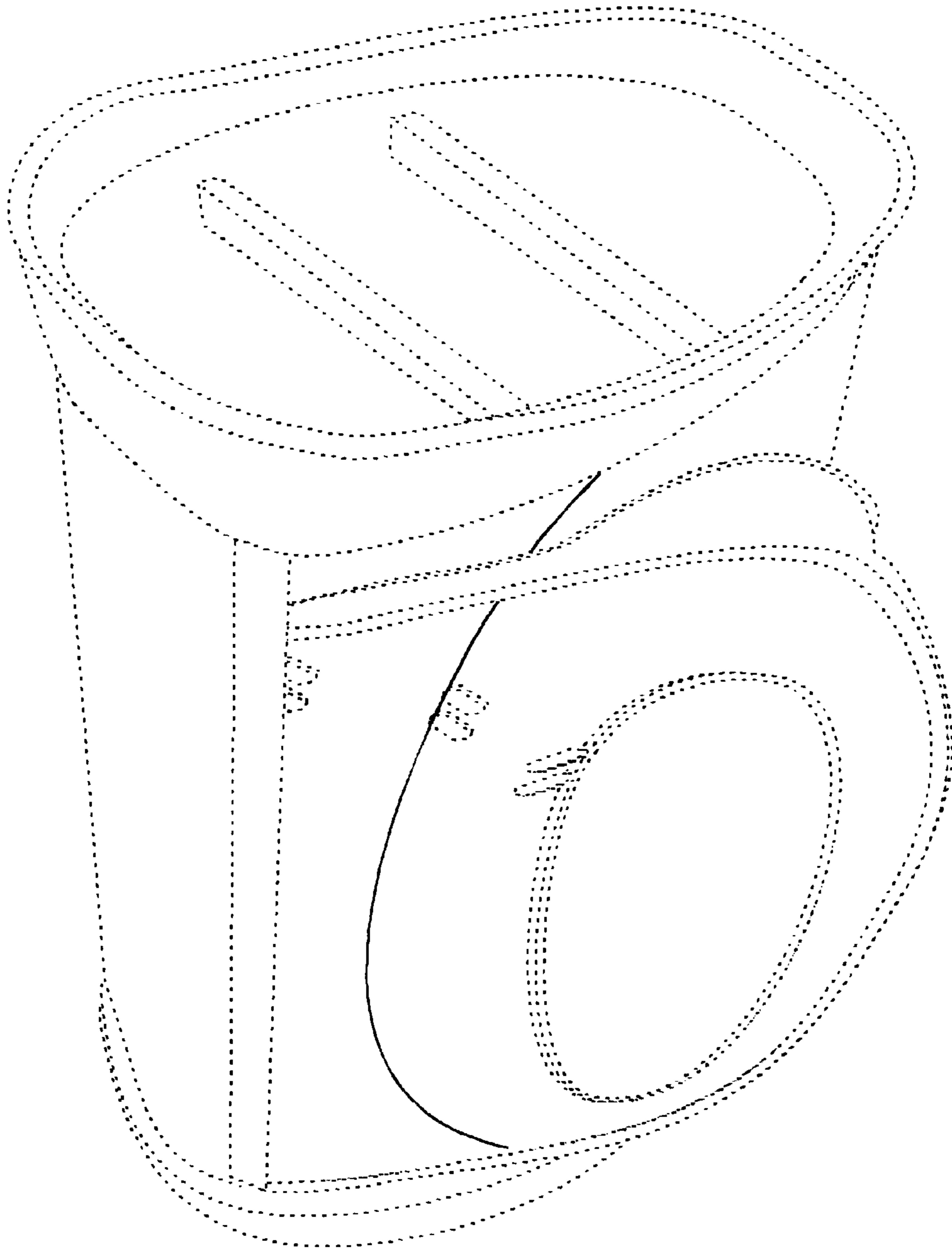


Fig. 7



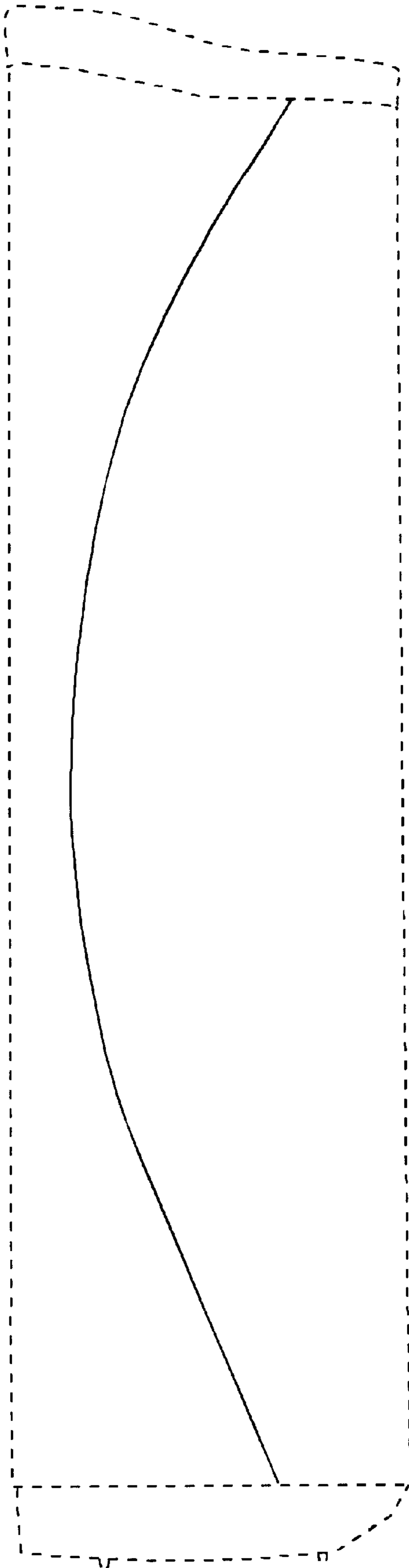


Fig. 8

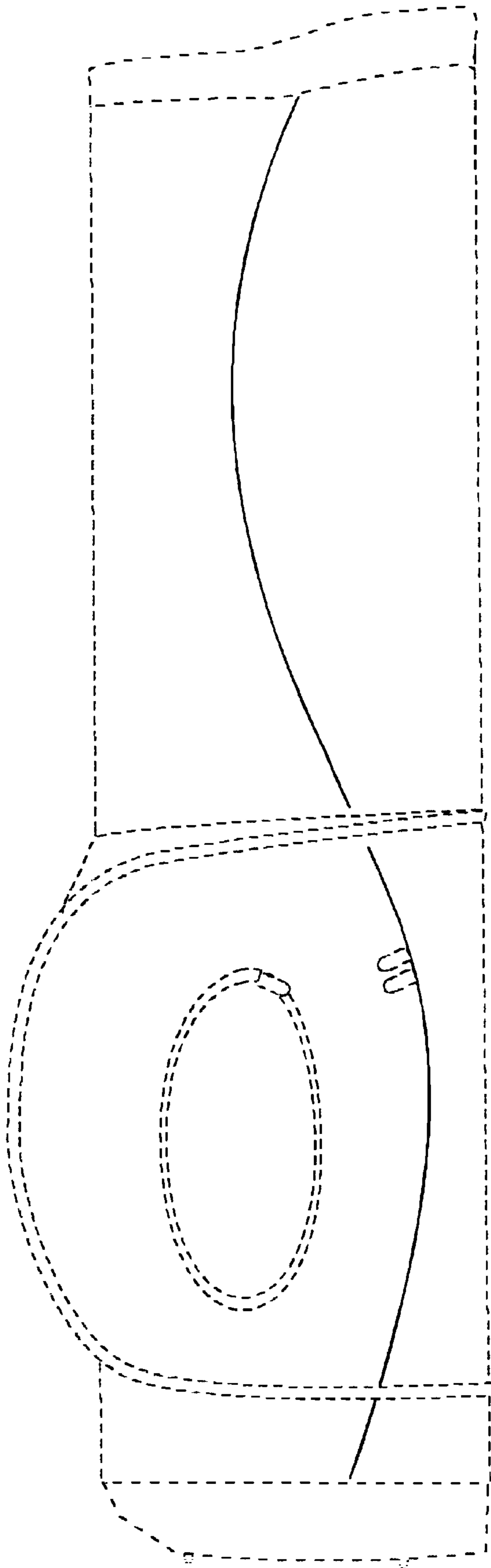


Fig. 9

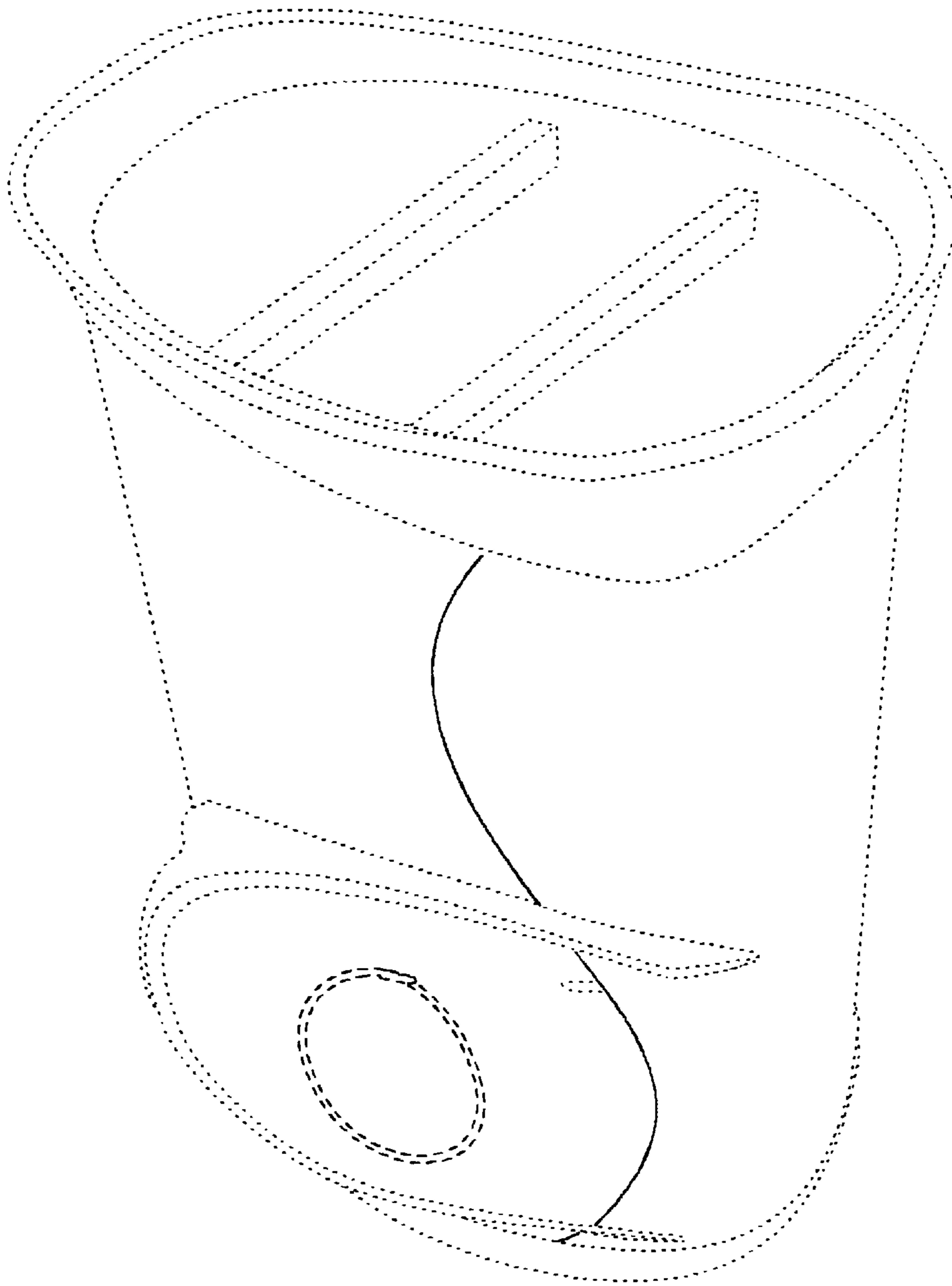


Fig. 10