



US00D422394S

**United States Patent** [19]  
**Scott**

[11] **Patent Number: Des. 422,394**

[45] **Date of Patent: \*\* Apr. 4, 2000**

[54] **LID FOR A DRUM**

[76] Inventor: **Charles Winfield Scott, 8575**  
Bridgewater La., Cincinnati, Ohio  
45243

[\*\*] Term: **14 Years**

[21] Appl. No.: **29/103,126**

[22] Filed: **Apr. 8, 1999**

[51] **LOC (6) Cl. .... 09-02**

[52] **U.S. Cl. .... D34/39**

[58] **Field of Search .... D34/39, 11; 220/601,**  
220/DIG. 1, 4.04, 320, 669, 649, 604, 672,  
254

[56] **References Cited**

**U.S. PATENT DOCUMENTS**

Re. 28,874	6/1976	Hammes	220/72
D. 229,892	1/1974	Dubois et al.	D34/39
D. 295,108	4/1988	Przytulla	D34/39
D. 319,133	8/1991	Pryztulla	D34/39
D. 319,134	8/1991	Pryztulla	D34/39
D. 332,049	12/1992	Burgdorf	D34/39 X
D. 344,385	2/1994	Przytulla	D34/39
D. 345,846	4/1994	Przytulla et al.	D34/39
D. 359,830	6/1995	Mikula et al.	D34/39
3,207,359	9/1965	Heisler	220/97
3,949,877	4/1976	Santoni	206/519
3,960,474	6/1976	Kader	425/503
4,088,239	5/1978	Uhlig	220/601

4,228,122	10/1980	Hammes	264/534
4,228,911	10/1980	Hammes	220/1 R
4,378,328	3/1983	Przytulla et al.	264/534
4,485,923	12/1984	Schwaikert	206/508
4,529,570	7/1985	Pryztulla	264/534
4,842,802	6/1989	Pryztulla	264/530
5,044,502	9/1991	Hale	206/595
5,044,510	9/1991	Schutz	220/4.05
5,213,753	5/1993	Pryztulla	264/534
5,425,454	6/1995	Pryztulla et al.	206/509
5,941,406	8/1999	Prztulla	220/254

**FOREIGN PATENT DOCUMENTS**

1029317	4/1978	Canada .
2063048	9/1992	Canada .

*Primary Examiner*—Susan J. Lucas  
*Assistant Examiner*—Cynthia E. Ramirez  
*Attorney, Agent, or Firm*—Thompson Hine & Flory LLP

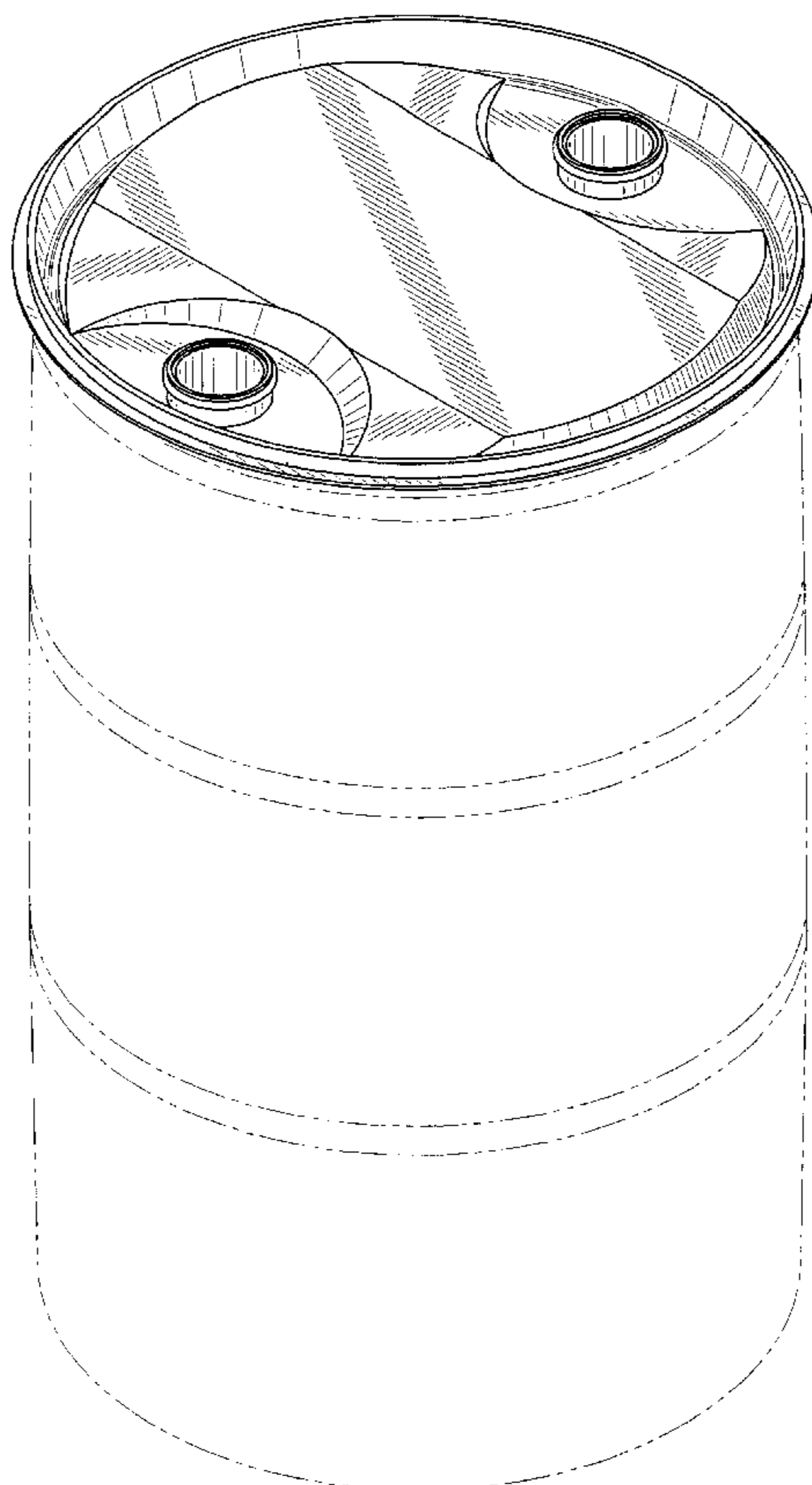
[57] **CLAIM**

The ornamental design for a lid for a drum, as shown and described.

**DESCRIPTION**

FIG. 1 is a top perspective view of my new lid for a drum, the body of the drum shown in broken lines is for illustrative purposes only and forms no part of the claimed design; FIG. 2 is a top perspective view of the drum's lid of FIG. 1; and, FIG. 3 is a top plan view of the drum's lid of FIG. 1.

**1 Claim, 2 Drawing Sheets**



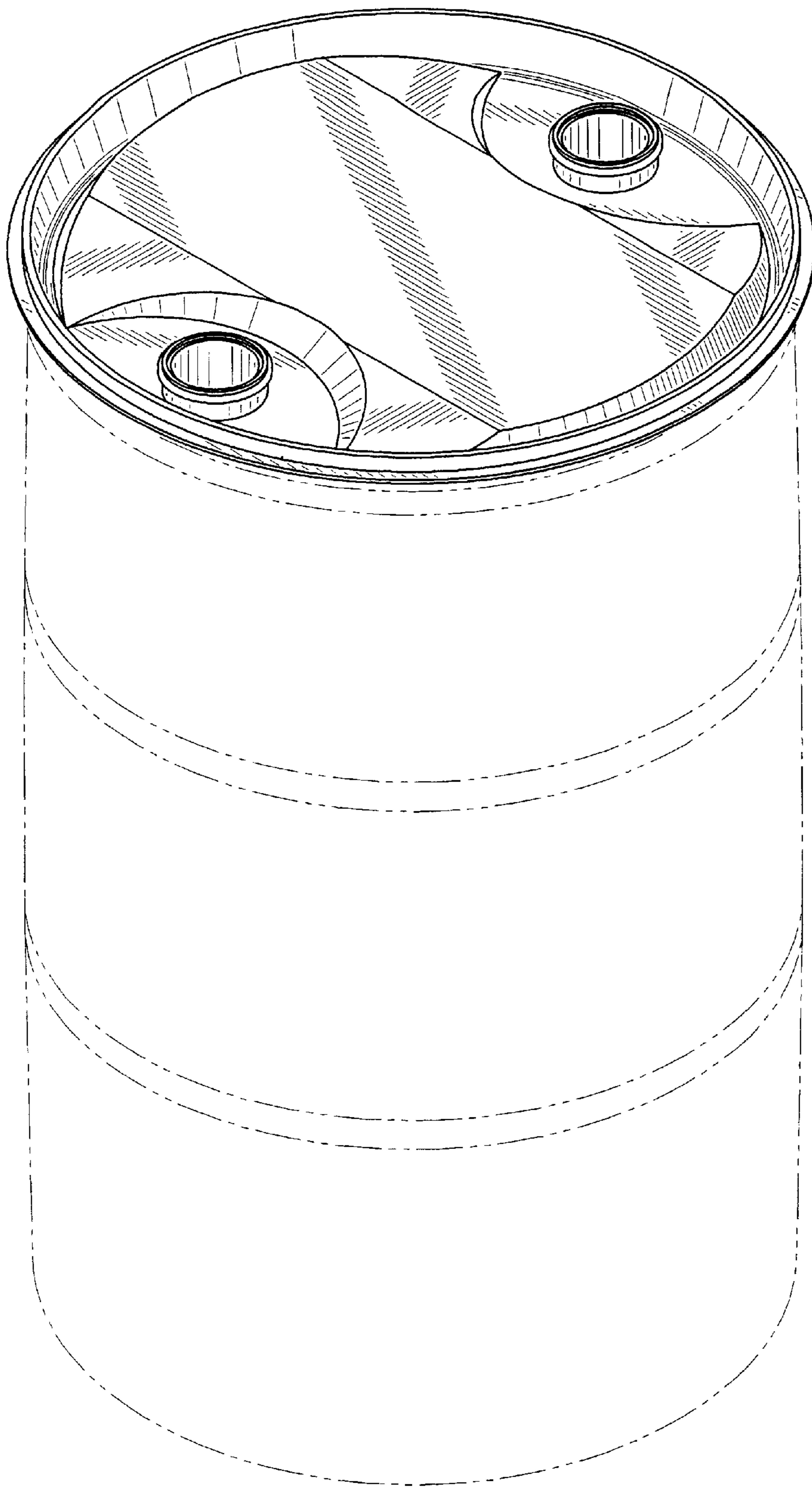


FIG. 1

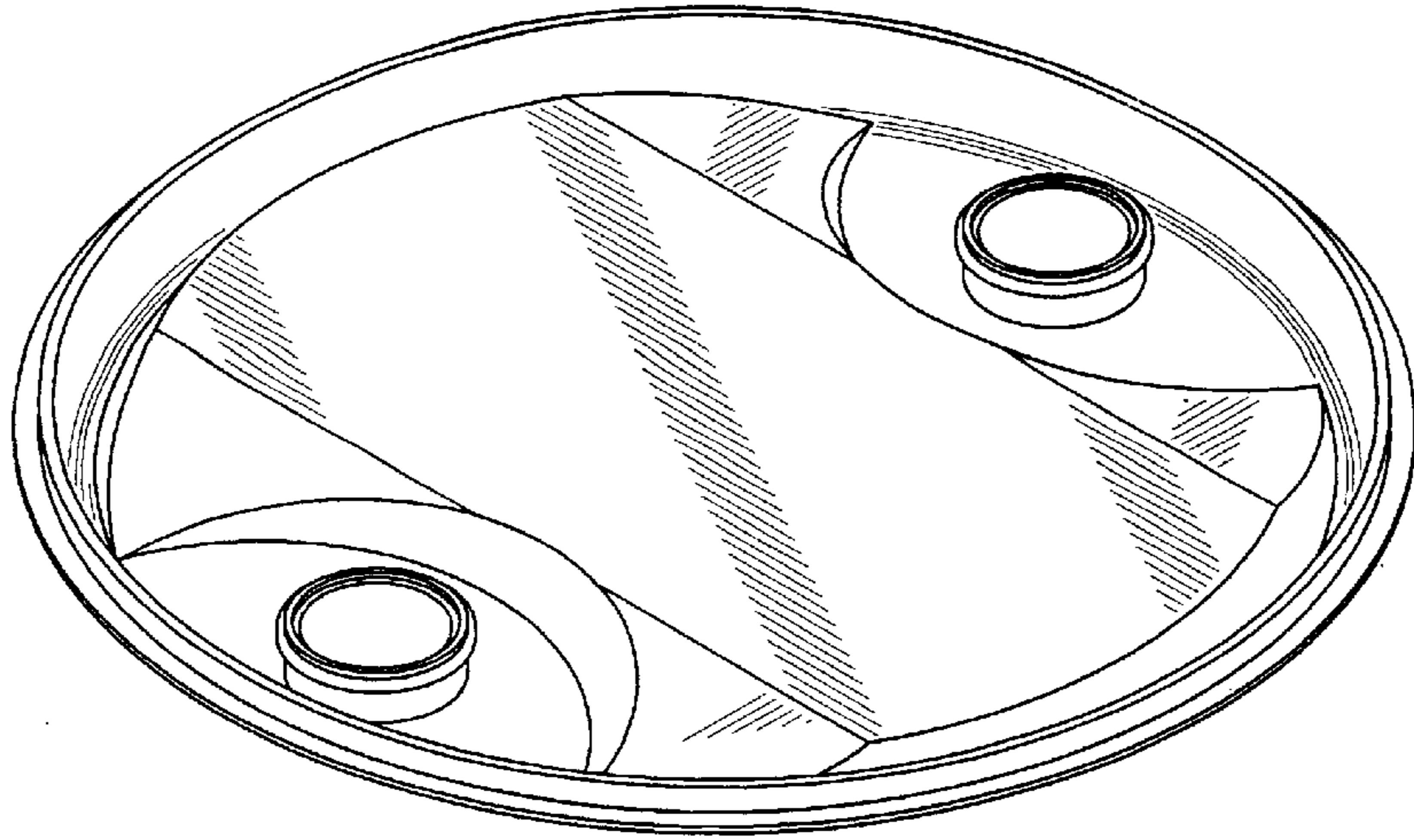


FIG. 2

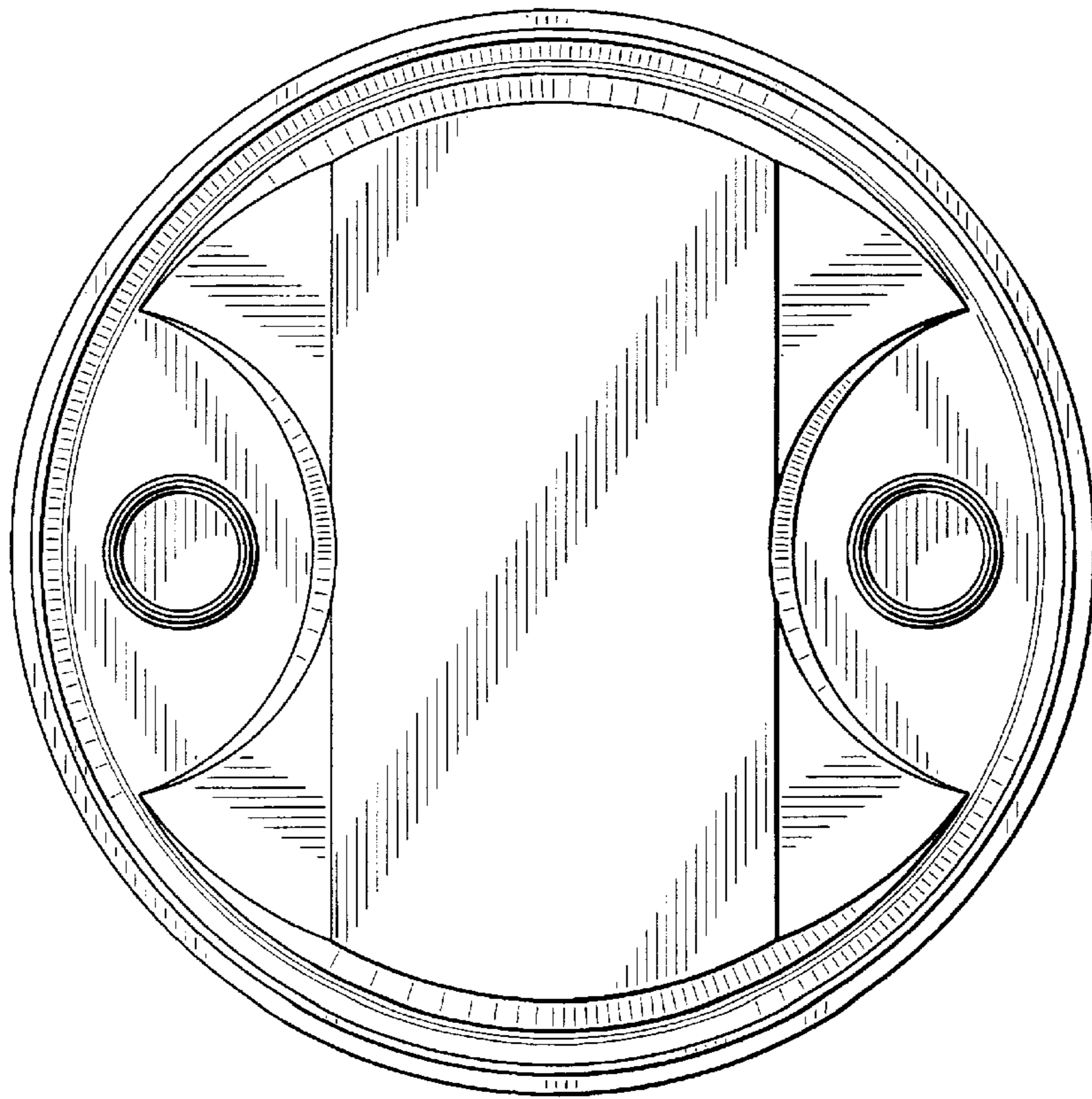


FIG. 3