



US00D422393S

United States Patent [19]

Agtuca

[11] **Patent Number: Des. 422,393**

[45] **Date of Patent: ** Apr. 4, 2000**

[54] **CARGO CONTAINER CART**

[76] Inventor: **Peter T. Agtuca**, 18010 108th SE.,
Renton, Wash. 98055-6443

[**] Term: **14 Years**

[21] Appl. No.: **29/082,697**

[22] Filed: **Nov. 25, 1997**

[51] **LOC (6) Cl.** **12-02**

[52] **U.S. Cl.** **D34/23; D34/38; D34/29**

[58] **Field of Search** **D34/38, 28, 29;**
280/5.24; 414/276, 267, 286

526,395	10/1894	Johns .	
2,932,527	4/1960	Payne	280/43.24
4,347,794	9/1982	Nordstrom	108/51.1
5,131,937	7/1992	Kuster et al.	D34/29 X
5,478,189	12/1995	Agtuca	414/529

Primary Examiner—Susan J. Lucas
Assistant Examiner—Cynthia E Ramirez
Attorney, Agent, or Firm—Dean A. Craine

[57] CLAIM

The ornamental design for a cargo container cart, as shown and described.

DESCRIPTION

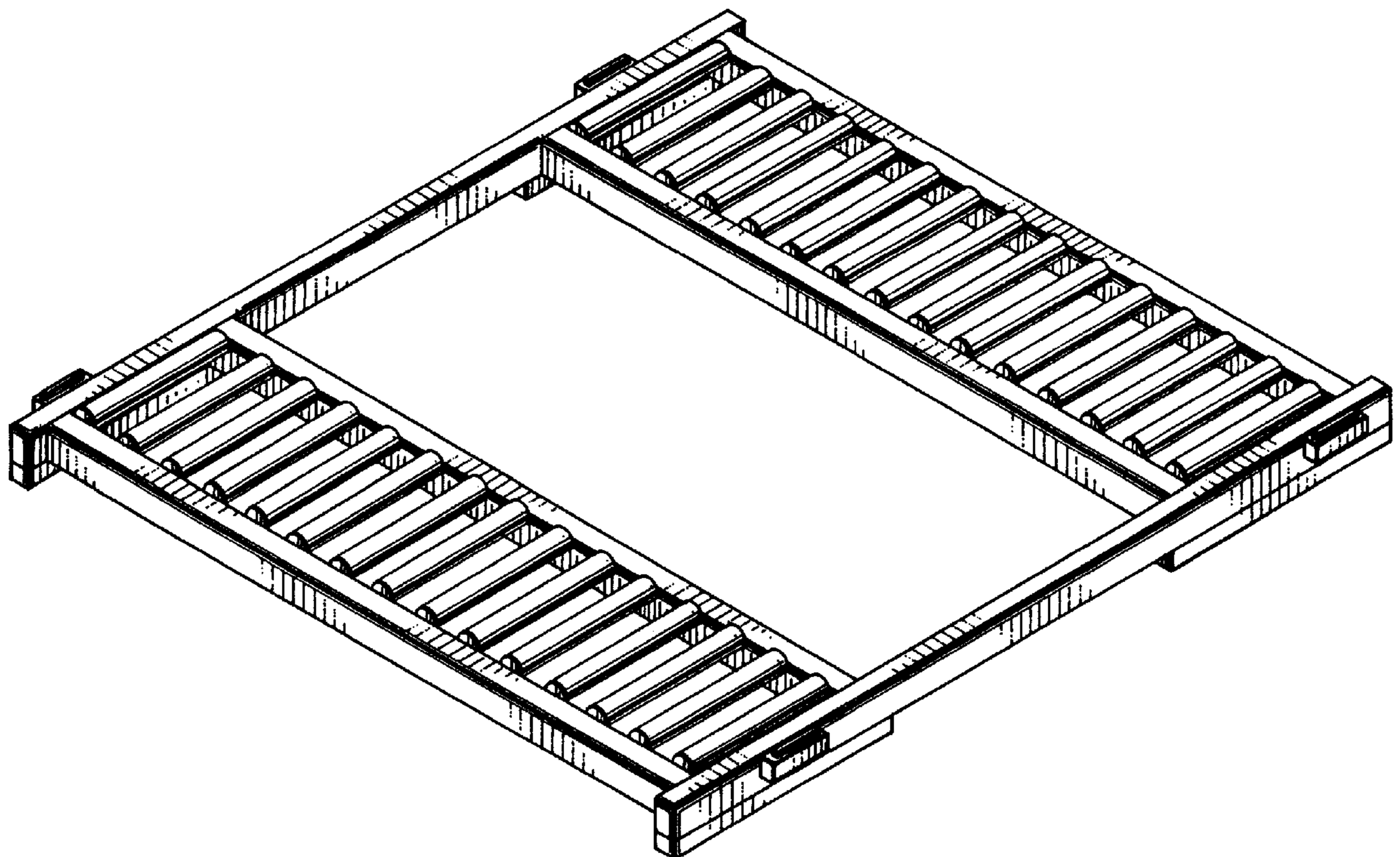
FIG. 1 is a perspective view of a cargo container cart.
FIG. 2 is a top plan view of a cargo container cart.
FIG. 3 is a front or rear elevational view of a cargo container cart.
FIG. 4 is a right or left side elevational view of a cargo container cart; and,
FIG. 5 is a bottom plan view of a cargo container cart.

1 Claim, 2 Drawing Sheets

[56] References Cited

U.S. PATENT DOCUMENTS

D. 211,858	8/1968	Wadzita	D34/38
D. 331,128	11/1992	Marco	D34/32
D. 353,701	12/1994	Beavers et al.	D34/32
D. 367,749	3/1996	Gibbons et al.	D34/28
D. 396,921	8/1998	Agtuca	D34/23
D. 396,922	8/1998	Agtuca	D34/23



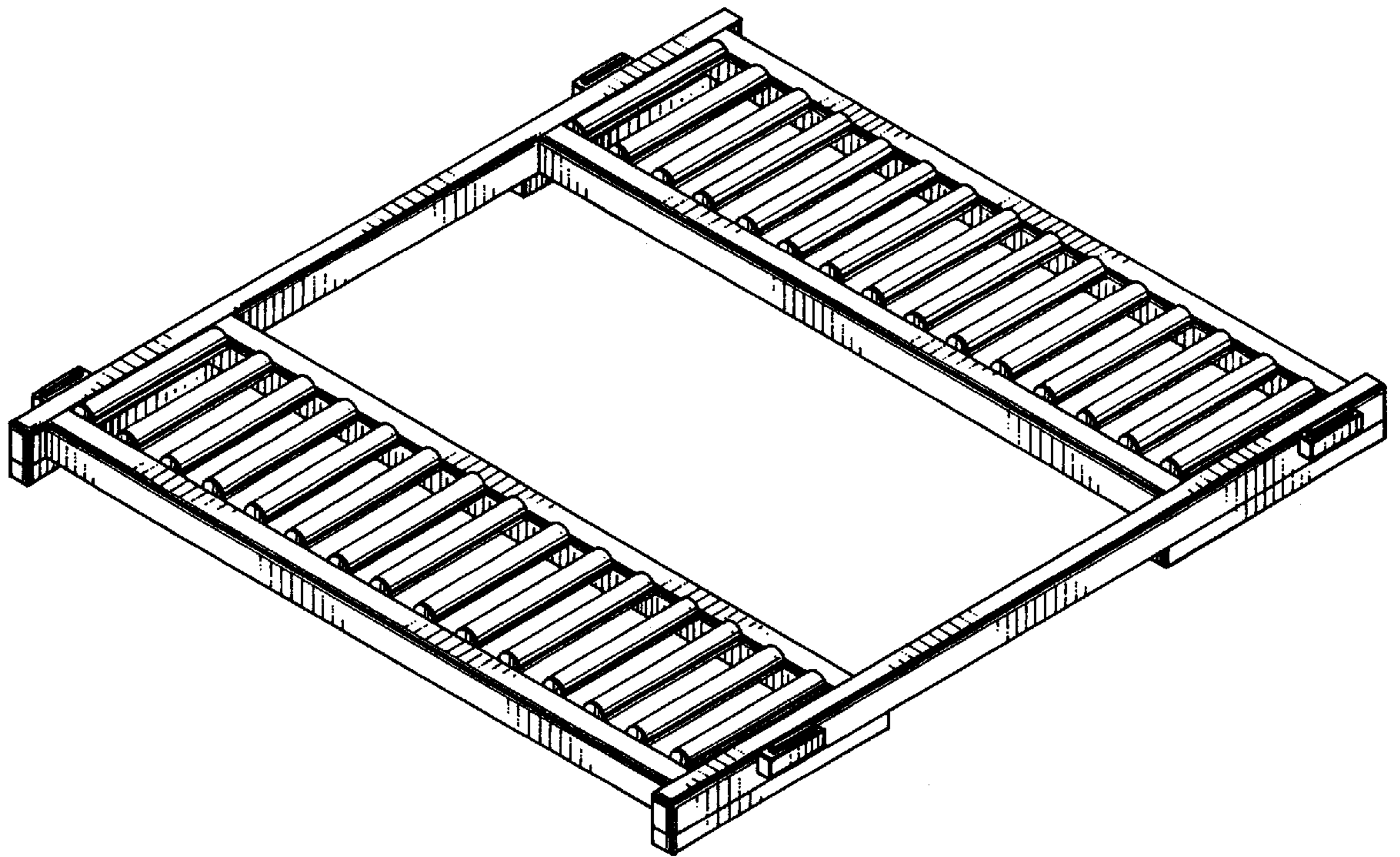


FIG. 1

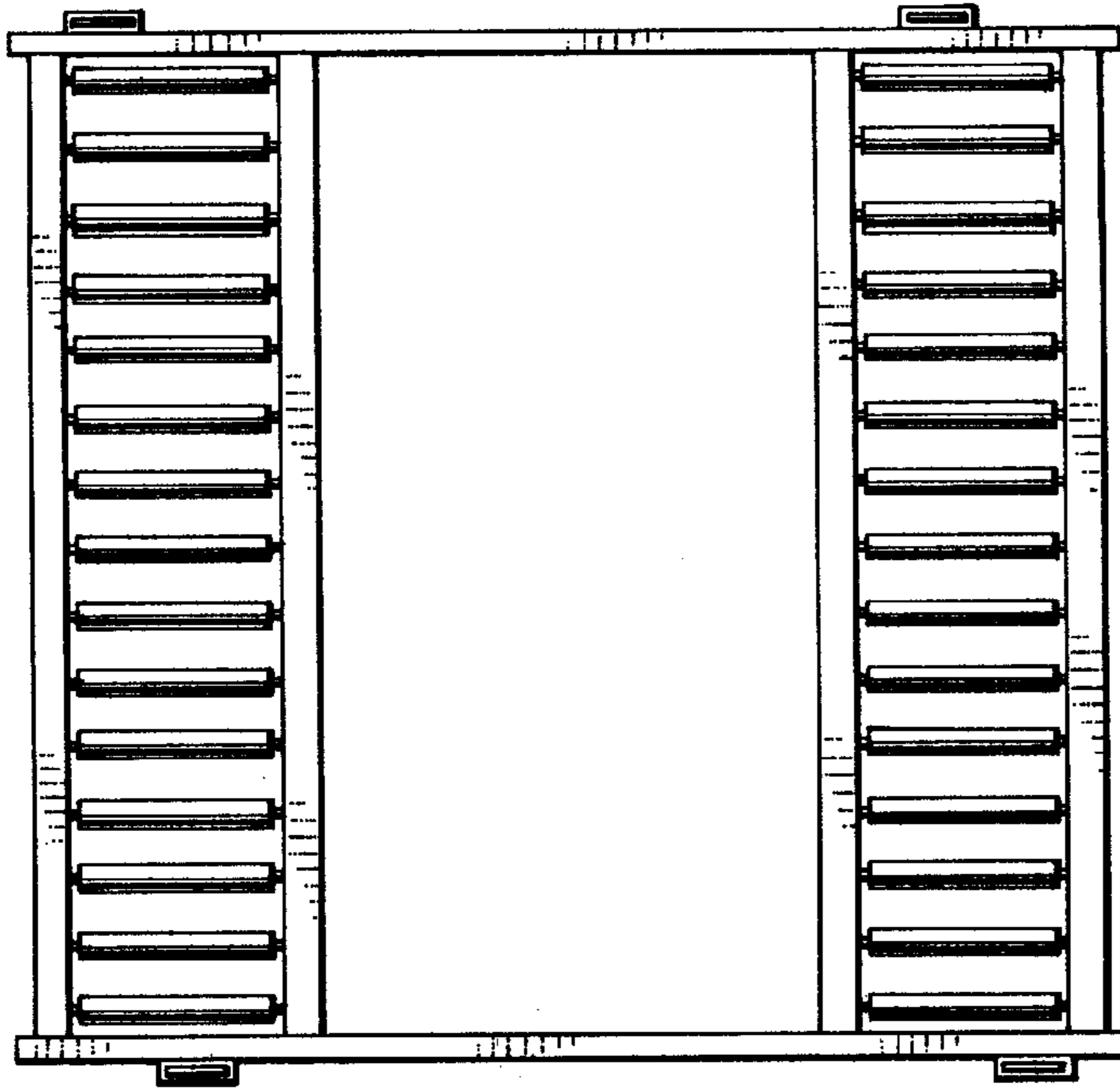


FIG. 2



FIG. 3



FIG. 4

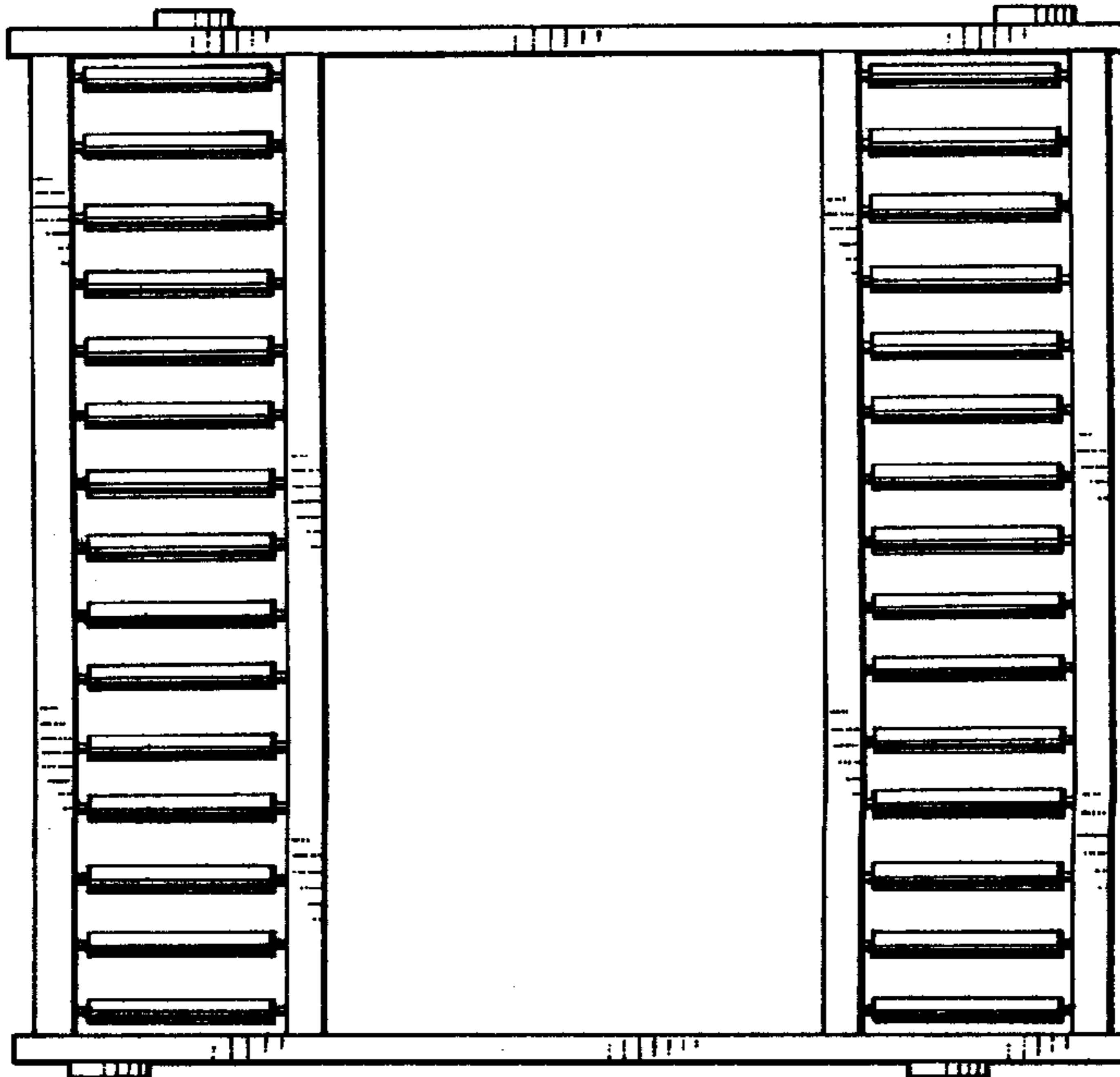


FIG. 5