



US00D422392S

United States Patent [19]
Weinstein

[11] **Patent Number: Des. 422,392**
[45] **Date of Patent: ** Apr. 4, 2000**

[54] **TRASH CONTAINER CART**

[76] Inventor: **Elliott M. Weinstein**, 8315 Port Said St., Orlando, Orange County, Fla. 32817

[**] Term: **14 Years**

[21] Appl. No.: **29/094,452**

[22] Filed: **Oct. 2, 1998**

[51] **LOC (6) Cl.** **12-02**

[52] **U.S. Cl.** **D34/12; D34/5; D34/17**

[58] **Field of Search** **D34/12-27, 1, D34/5; 280/47.19, 47.16, 47.24, 47.26, 47.33; 248/907; 211/1**

[56] **References Cited**

U.S. PATENT DOCUMENTS

- D. 170,137 8/1953 Rogers D34/21
- D. 176,250 12/1955 Del Giudice .
- D. 326,174 5/1992 McDonald .
- 934,949 9/1909 Trickey et al. .
- 944,197 12/1909 Lyon .

- 1,270,383 6/1918 Crawford .
- 1,832,770 11/1931 Hallowell .
- 1,930,078 10/1933 Bentley et al. .
- 2,201,533 5/1940 Goldman .
- 3,762,738 10/1973 Christina .
- 4,861,049 8/1989 Losi .

Primary Examiner—Kay H. Chin
Attorney, Agent, or Firm—William M. Hobby, III

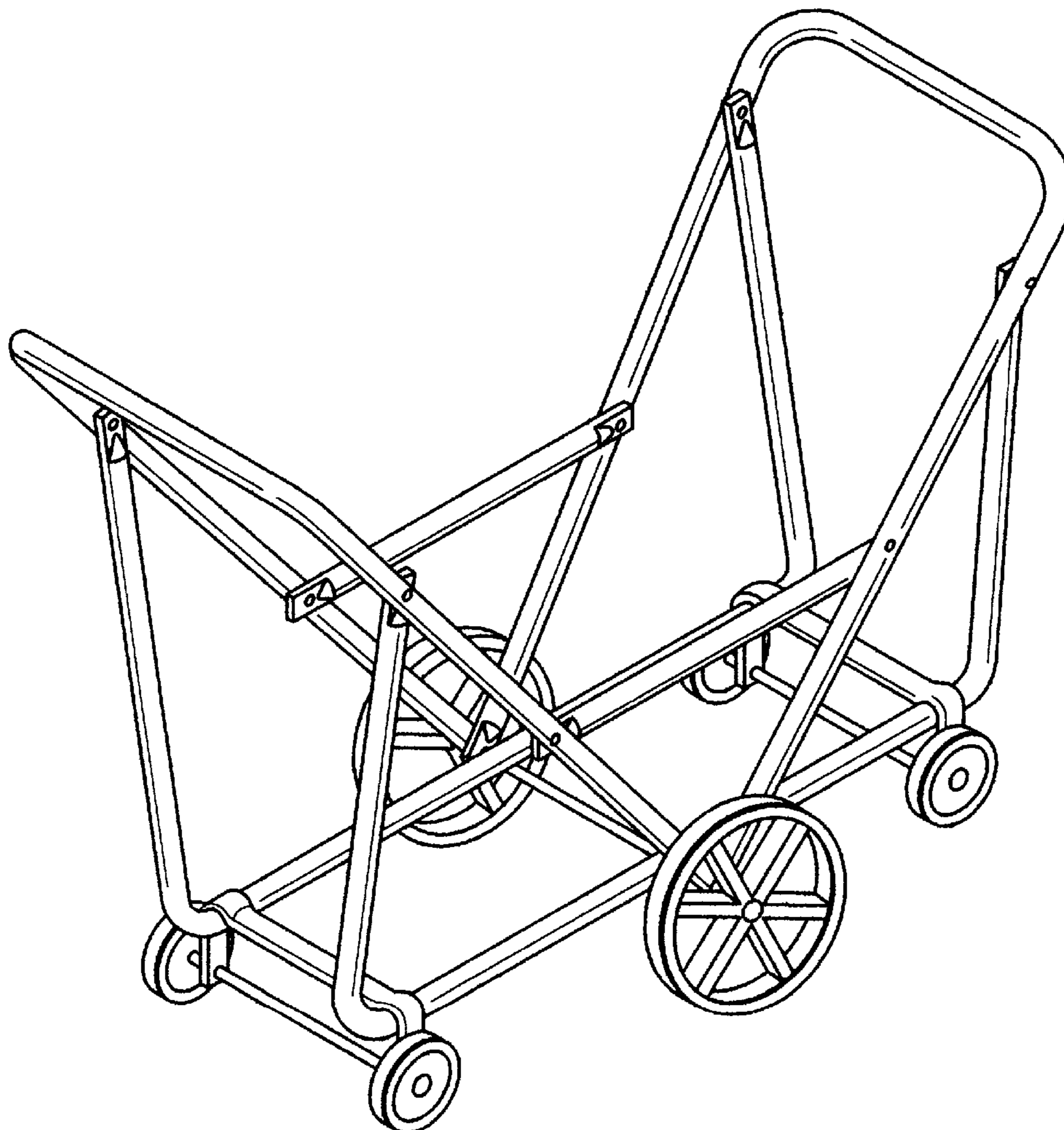
[57] **CLAIM**

The ornamental design for a trash container cart, as shown and described.

DESCRIPTION

FIG. 1 is a top, front perspective view of my new trash container cart;
FIG. 2 is a rear elevation;
FIG. 3 is a bottom plan view;
FIG. 4 is a left side elevation; and,
FIG. 5 is a top plan view.

1 Claim, 2 Drawing Sheets



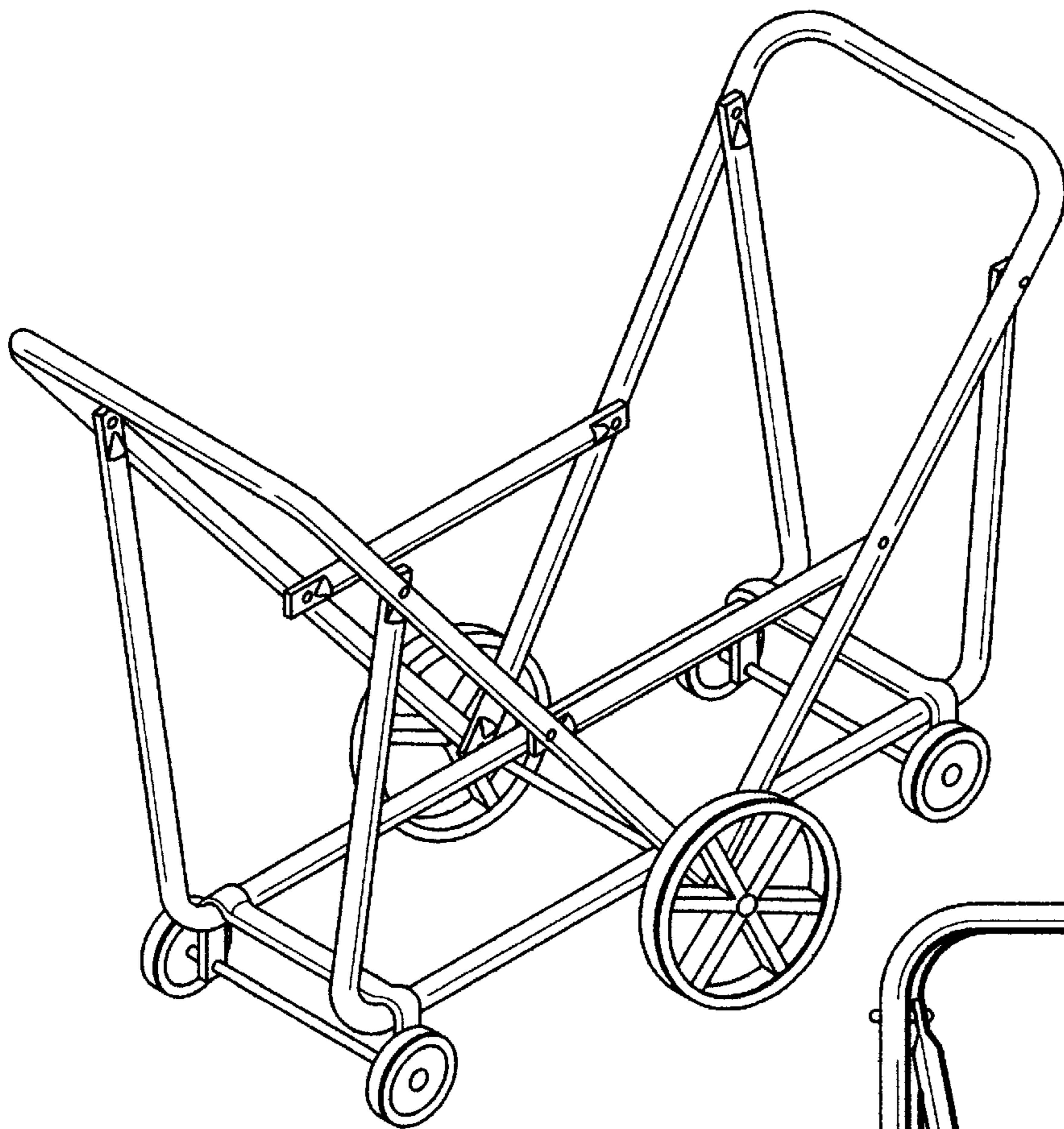


FIG. 1

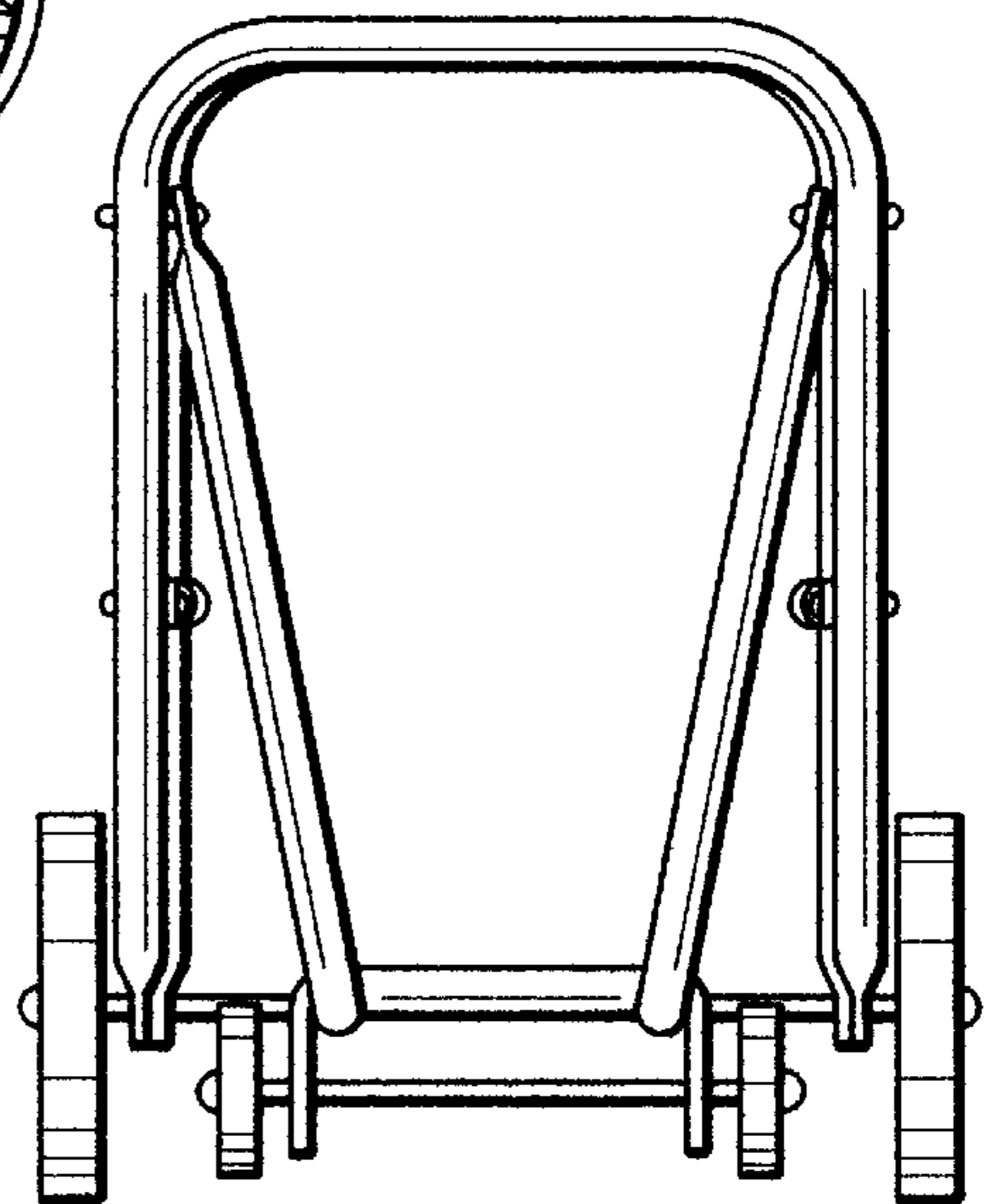


FIG. 2

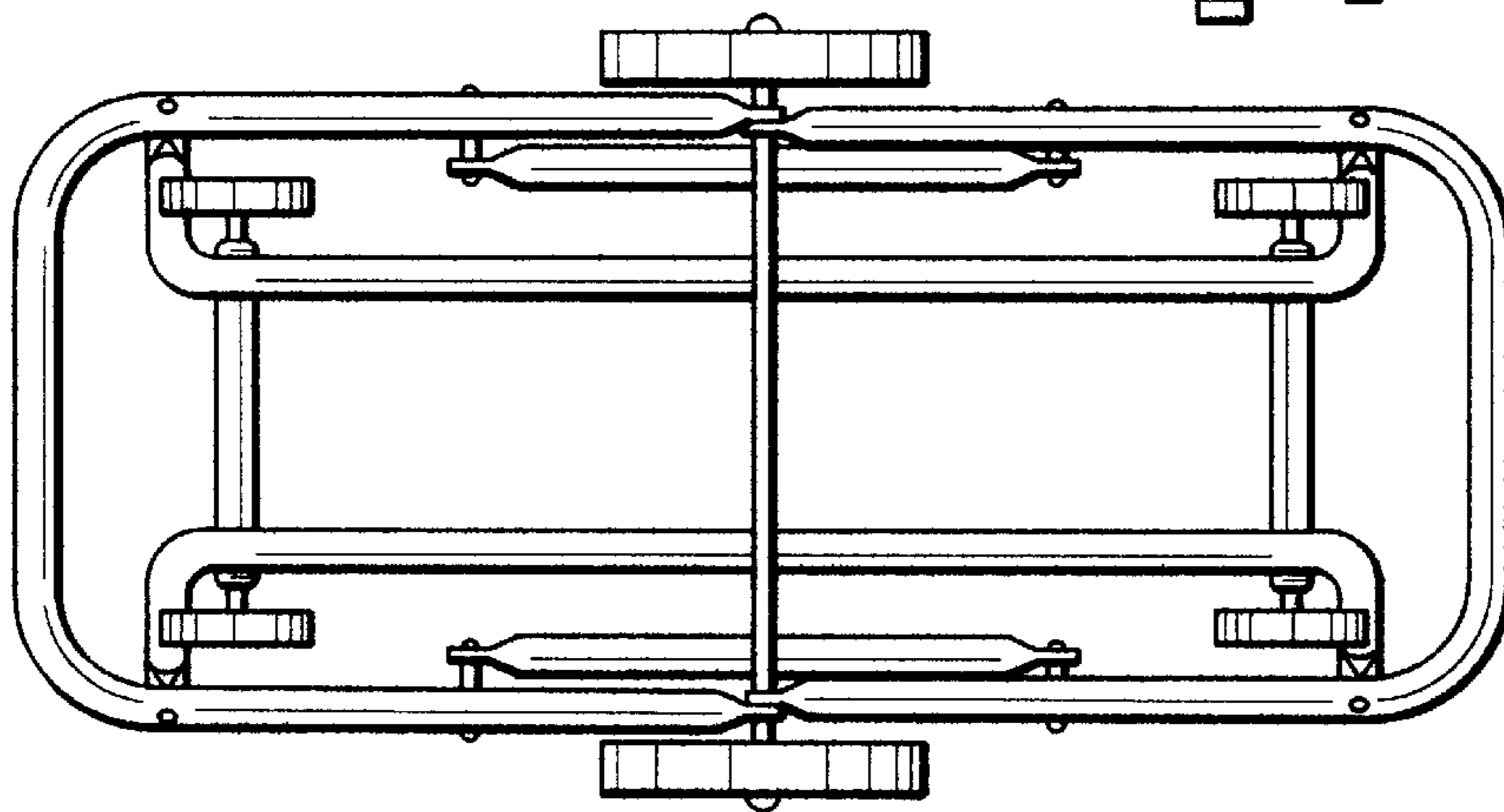


FIG. 3

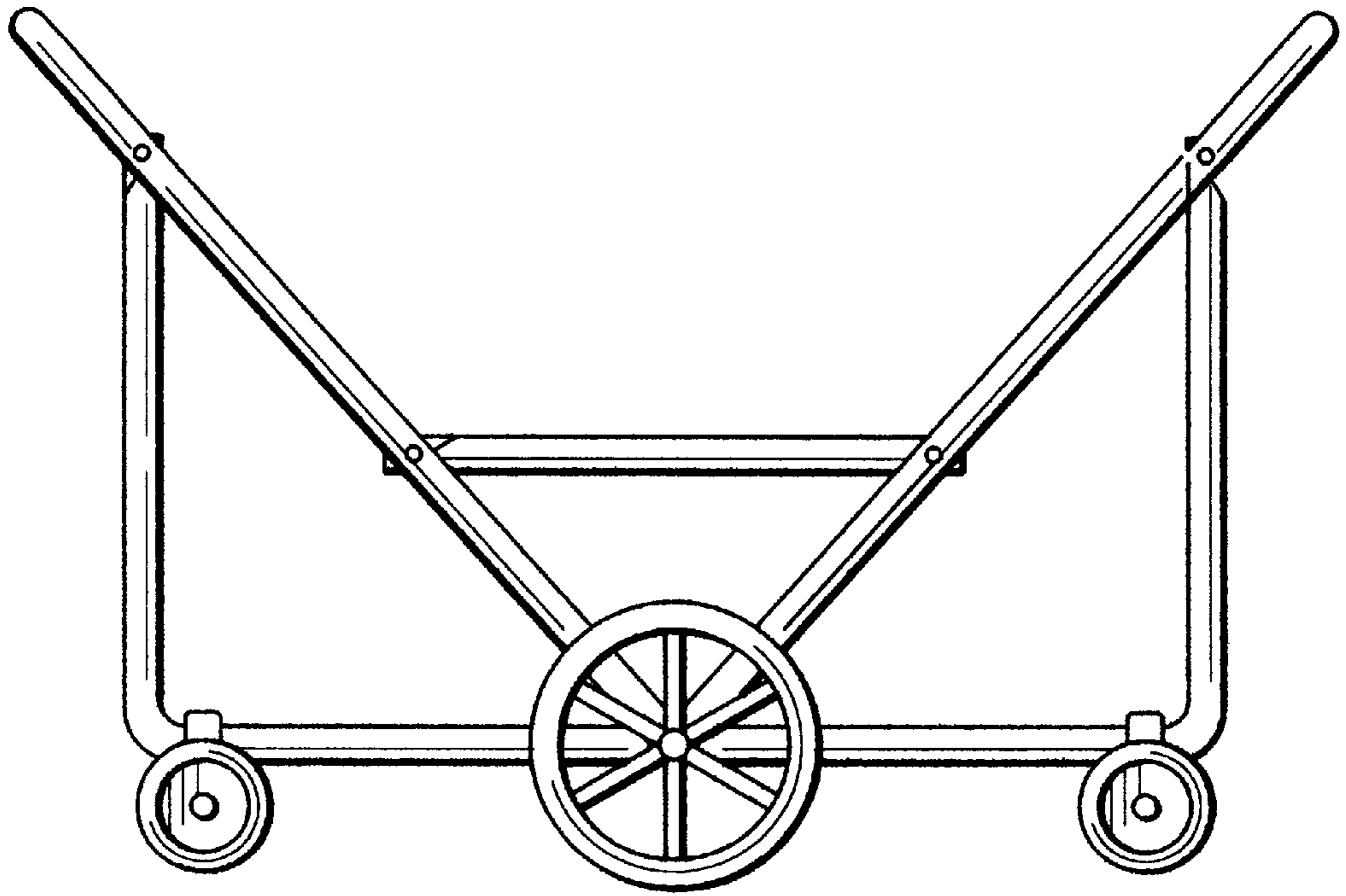


FIG. 4

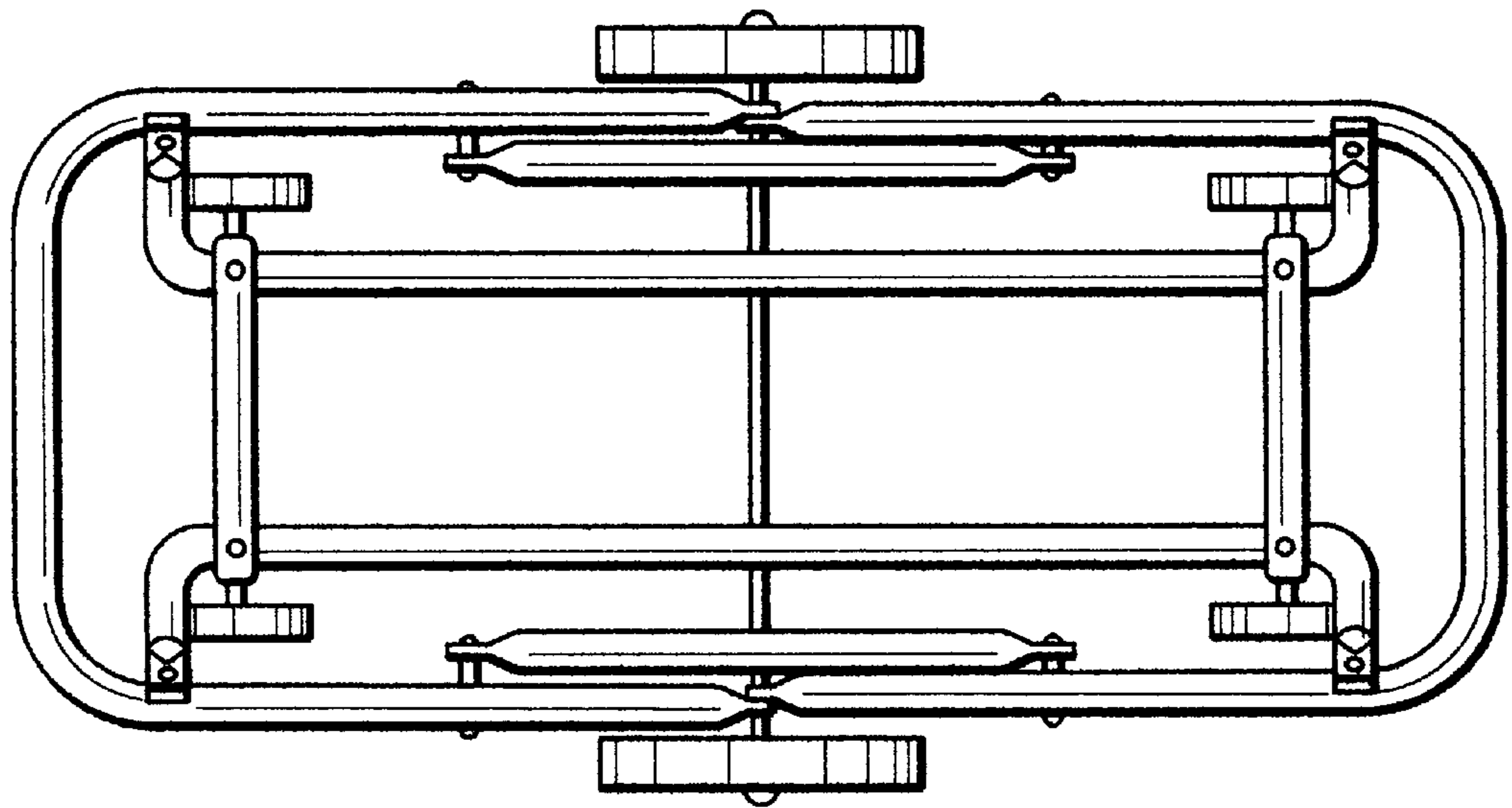


FIG. 5