



US00D422391S

United States Patent [19]

[11] **Patent Number: Des. 422,391**

Whitlock

[45] **Date of Patent: ** Apr. 4, 2000**

[54] **SUPPORT APPARATUS FOR TRASH BAGS**

4,889,300	12/1989	Gibson et al.	248/97
5,016,844	5/1991	Garvin	248/97
5,058,839	10/1991	Stevens	248/97
5,868,364	2/1999	MacMillan	248/97

[76] Inventor: **J. E. Kenneth Whitlock**, 7900 N. McKee, Oklahoma City, Okla. 73132

[**] Term: **14 Years**

Primary Examiner—Susan J. Lucas
Assistant Examiner—Cynthia Ramirez
Attorney, Agent, or Firm—Crowe & Dunlevy; Bill D. McCarthy

[21] Appl. No.: **29/101,511**

[22] Filed: **Mar. 4, 1999**

[51] **LOC (6) Cl. 09-09**

[52] **U.S. Cl. D34/6**

[58] **Field of Search** D34/1, 5, 6, 7, D34/10; 220/908, 909, 910, 911; D7/605; D3/307; 248/95, 96, 97, 100, 101

[57] **CLAIM**

I claim the ornamental design for the support apparatus for trash bags, as shown and described.

DESCRIPTION

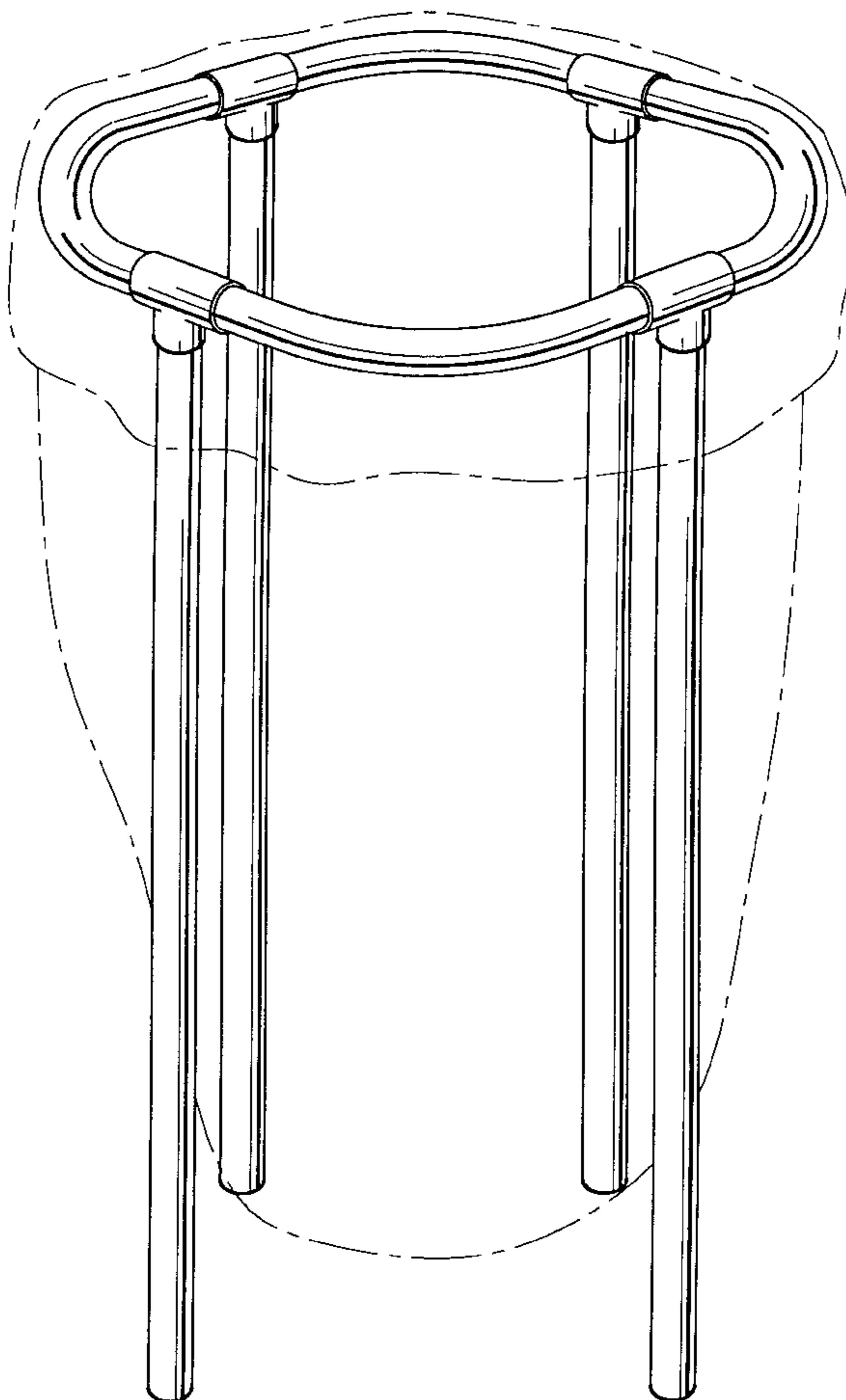
FIG. 1 is a perspective view of a support apparatus for trash bags showing my new design; FIG. 2 is an elevational front view thereof, the rear elevational view being identical thereto; FIG. 3 is an elevational view of one side thereof, the opposing other side being identical thereto; FIG. 4 is a top plan view thereof; and, FIG. 5 is a bottom plan view thereof. The broken line showing of a bag in FIG. 1 is for illustrative purposes only and forms no part of the claimed design.

[56] **References Cited**

U.S. PATENT DOCUMENTS

D. 178,661	9/1956	Hoffman et al.	D34/1
D. 289,577	4/1987	Graham	D34/5
D. 337,405	7/1993	Wolters	D34/5
D. 353,695	12/1994	Turner	D34/5
D. 368,185	3/1996	Sawyer	D34/5 X
D. 411,675	6/1999	Chmbliss	D34/5
4,273,167	6/1981	Stillwell	248/97 X
4,440,430	4/1984	Kruse	248/95 X

1 Claim, 2 Drawing Sheets



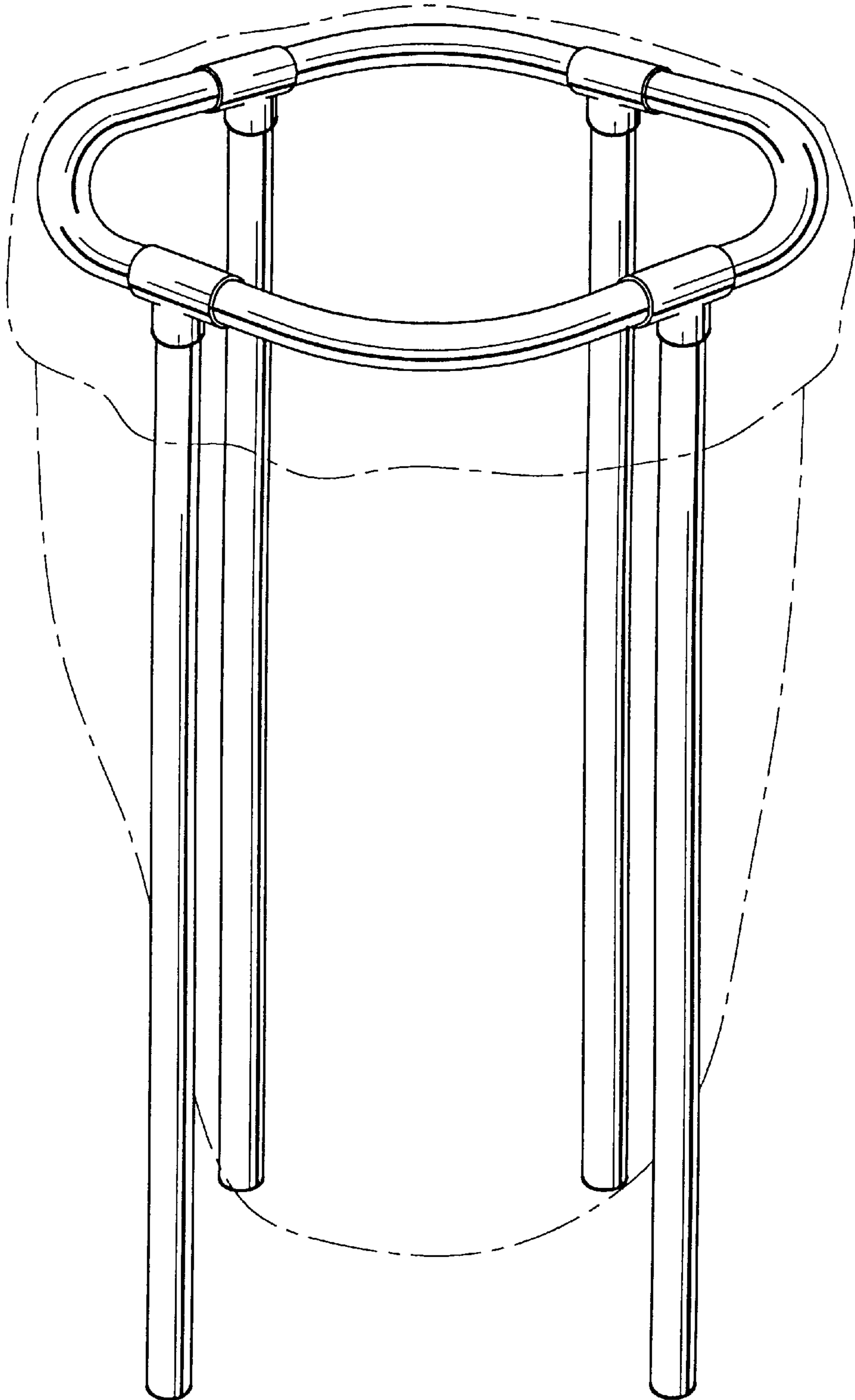


FIG. 1

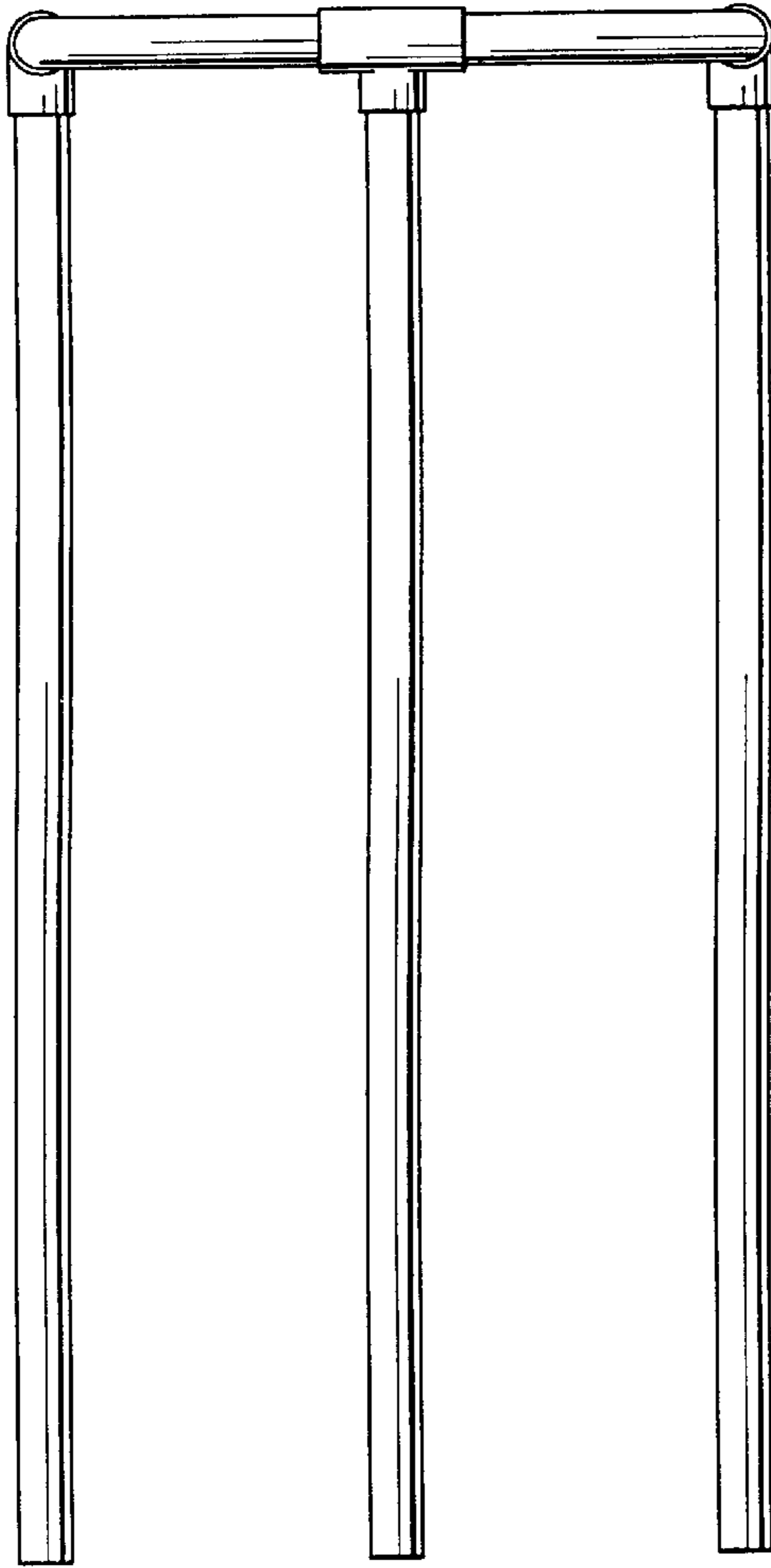


FIG. 2

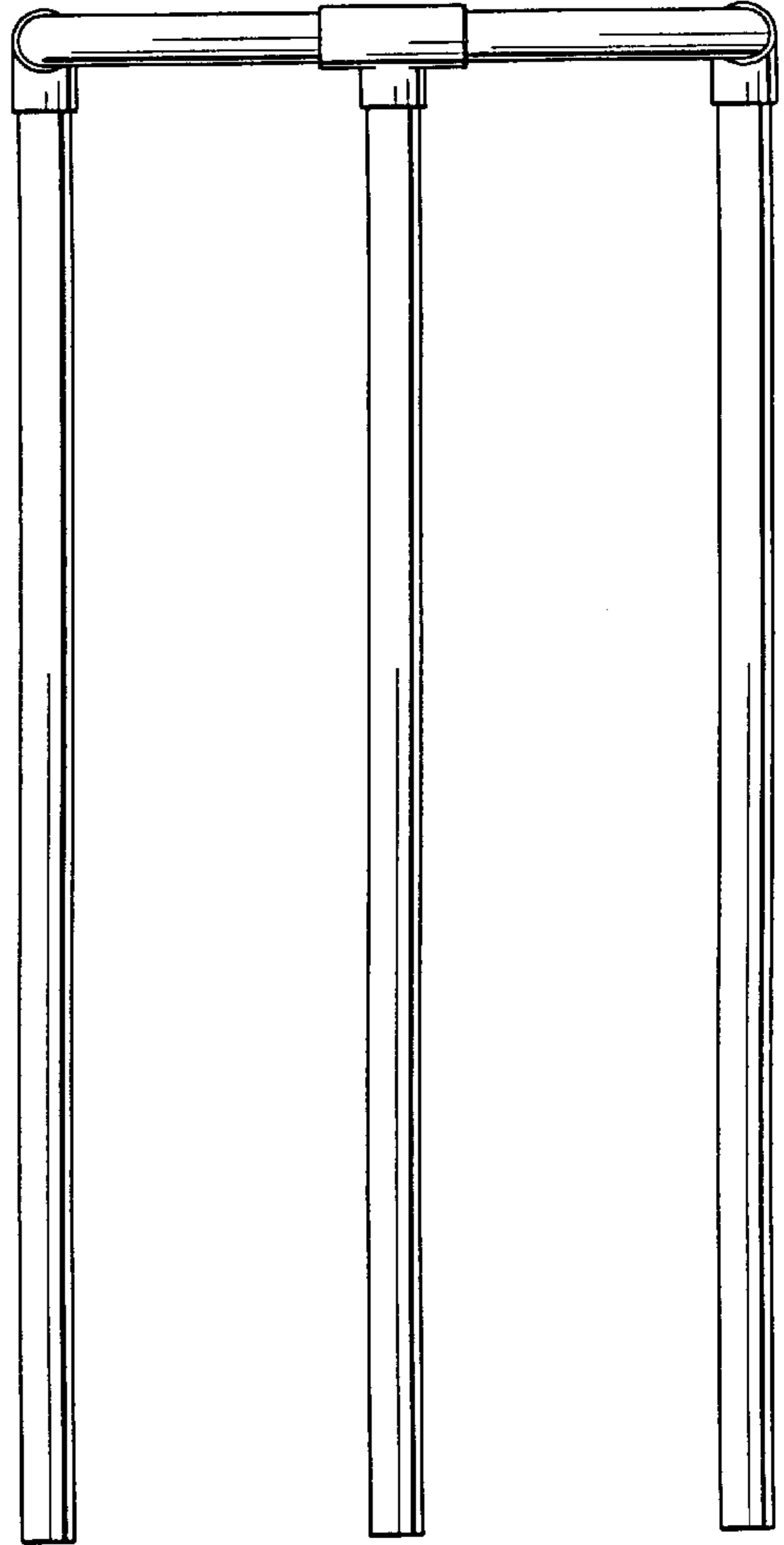


FIG. 3

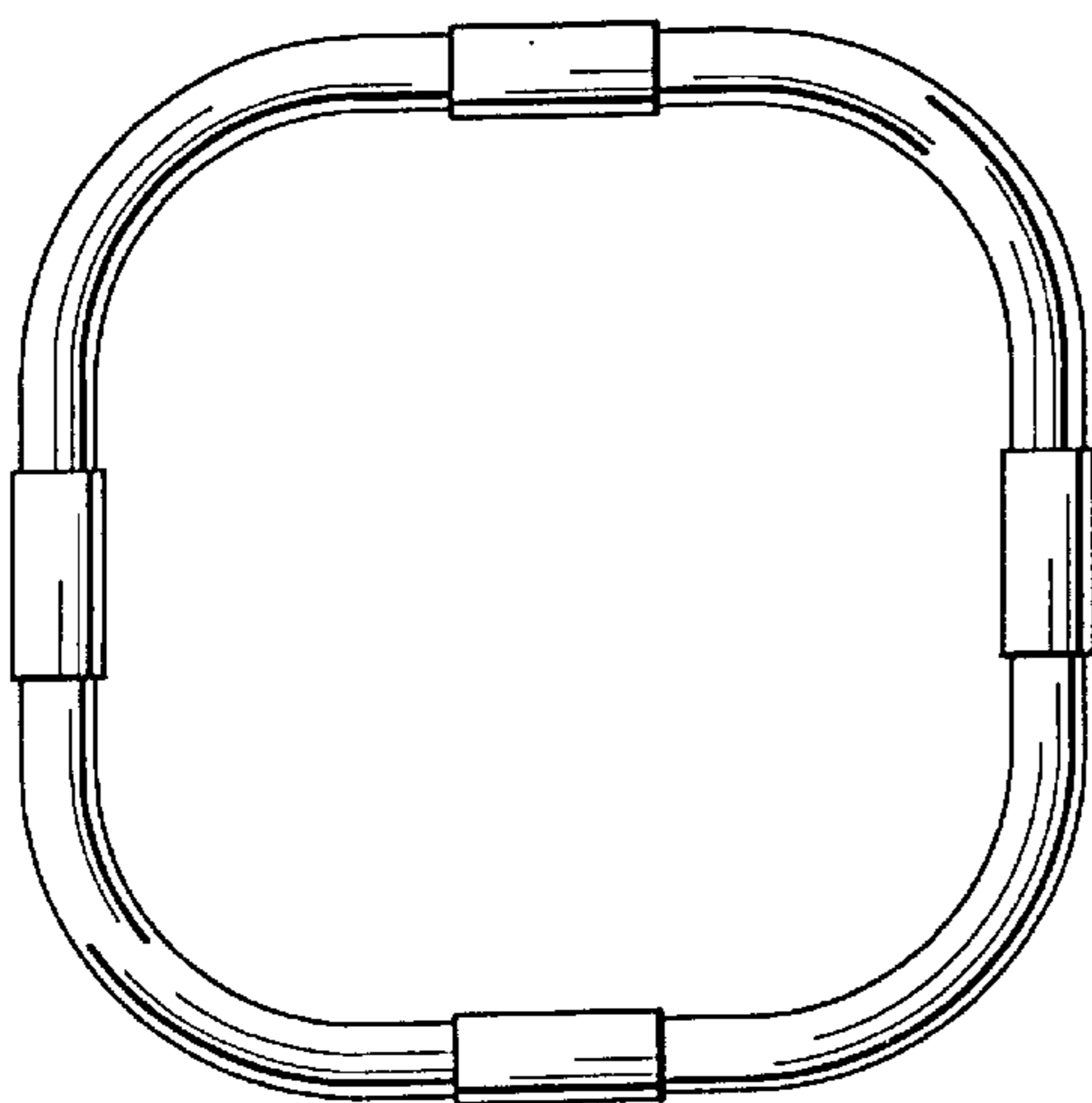


FIG. 4

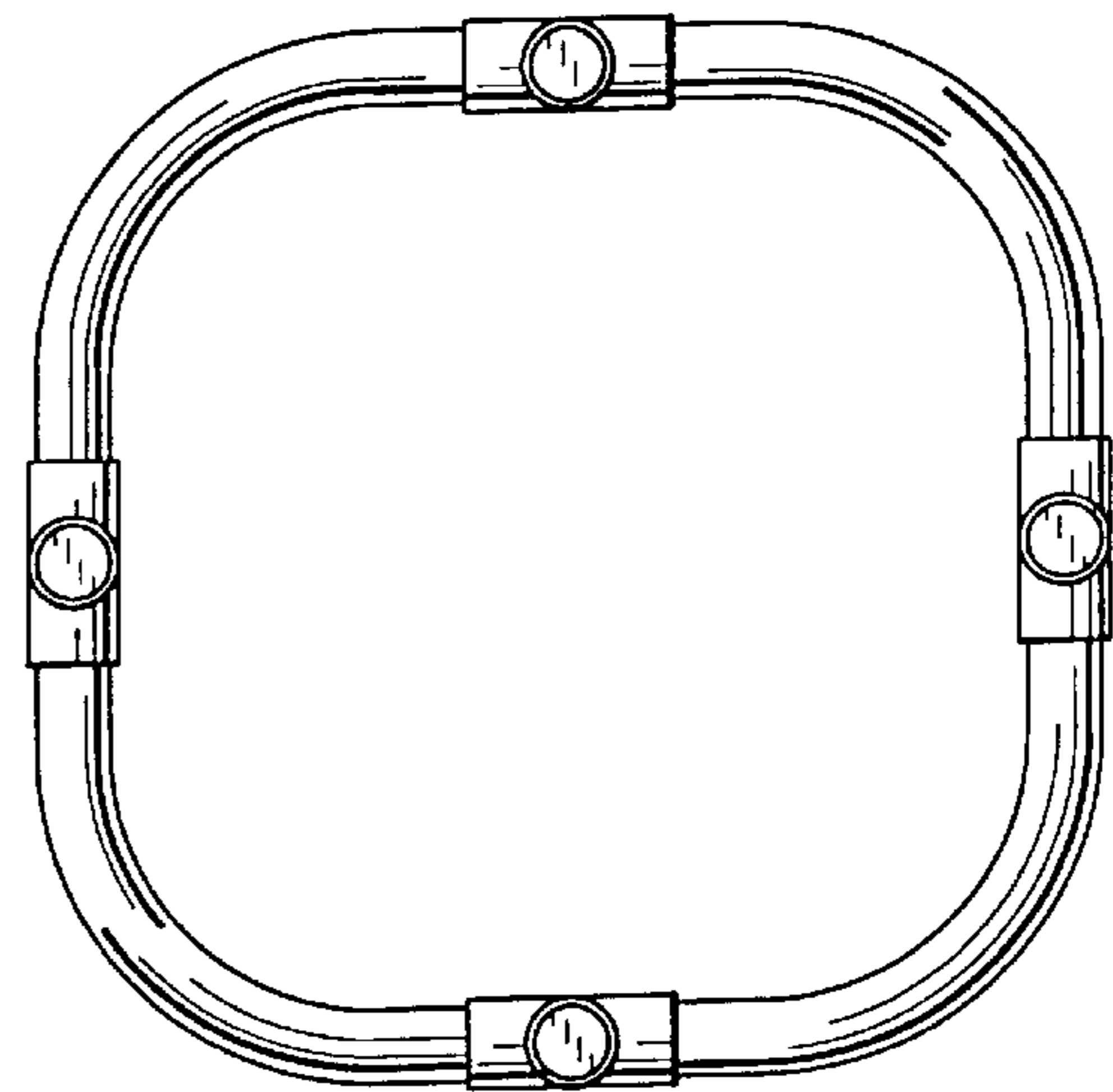


FIG. 5