



US00D422388S

# United States Patent [19]

Roberts et al.

[11] Patent Number: **Des. 422,388**

[45] Date of Patent: **\*\* Apr. 4, 2000**

[54] UPRIGHT VACUUM CLEANER UPPER PORTION

[75] Inventors: **Kenneth L. Roberts**, Rockford; **Michael D. Luyckx**, Bloomfield Hills, both of Mich.; **Steven R. Umbach**, The Woodlands, Tex.

[73] Assignee: **Bissell Homecare, Inc.**, Grand Rapids, Mich.

[\*\*] Term: **14 Years**

[21] Appl. No.: **29/081,675**

[22] Filed: **Jan. 8, 1998**

[51] LOC (6) Cl. .... **15-05**

[52] U.S. Cl. .... **D32/31; D32/22**

[58] Field of Search ..... D32/17, 18, 21-22, D32/31-34; 15/320-323, 329, 335, 344, 347, 350-351, 352, 361, 410, 412

### [56] References Cited

#### U.S. PATENT DOCUMENTS

D. 325,658 4/1992 Brewin ..... D32/22

D. 347,500	5/1994	Abe et al. ....	D32/22
D. 371,652	7/1996	Umbach .....	D32/22
D. 375,594	11/1996	Luebbering .....	D32/31
D. 381,143	7/1997	Luebbering .....	D32/31
D. 387,518	12/1997	Medema .....	D32/22
D. 398,098	9/1998	Mehaffey et al. ....	D32/22

*Primary Examiner*—Ruth McInroy  
*Attorney, Agent, or Firm*—Rader, Fishman, Grauer & McGarry, An Office of Rader, Fishman & Grauer PLLC

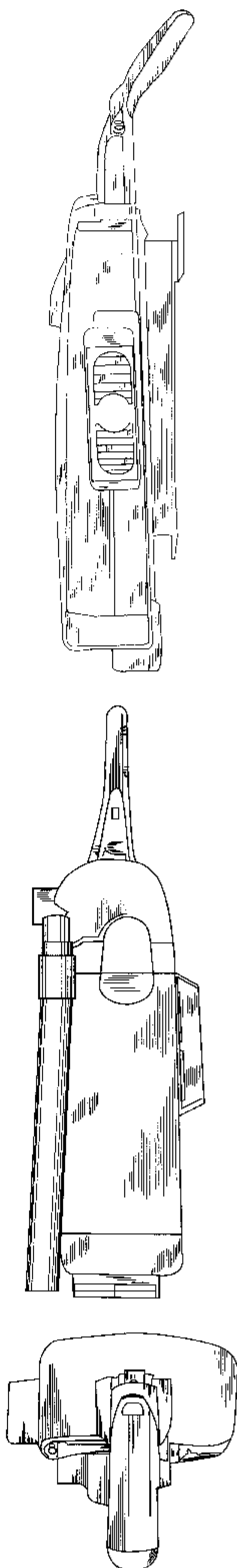
### [57] CLAIM

The ornamental design for an upright vacuum cleaner upper portion, as shown and described.

### DESCRIPTION

FIG. 1 is a right side elevational view of an upright vacuum cleaner upper portion showing our new design; FIG. 2 is a left side elevational view thereof; FIG. 3 is a front elevational view thereof; FIG. 4 is a rear elevational view thereof; FIG. 5 is a top plan view thereof; and, FIG. 6 is a bottom plan view thereof.

**1 Claim, 3 Drawing Sheets**



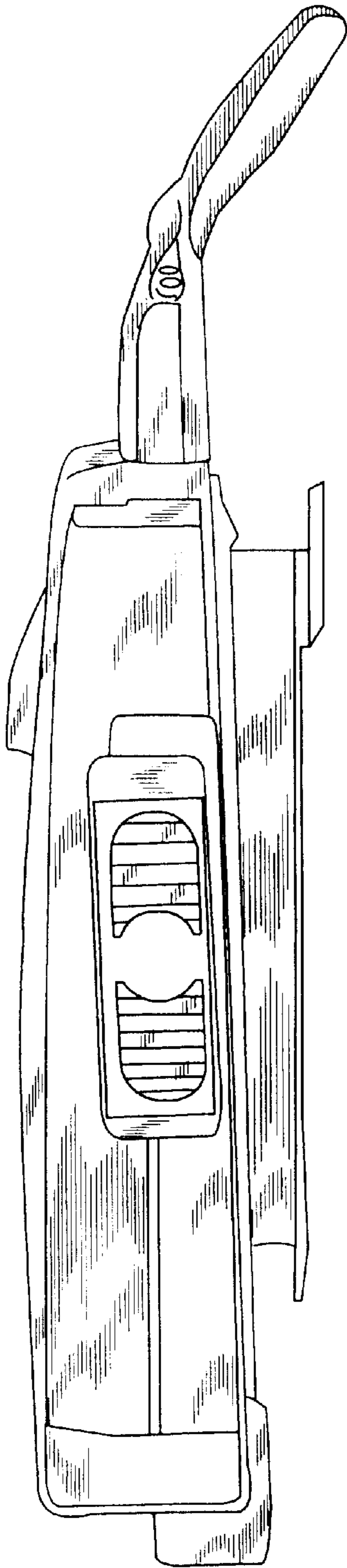


Fig. 1

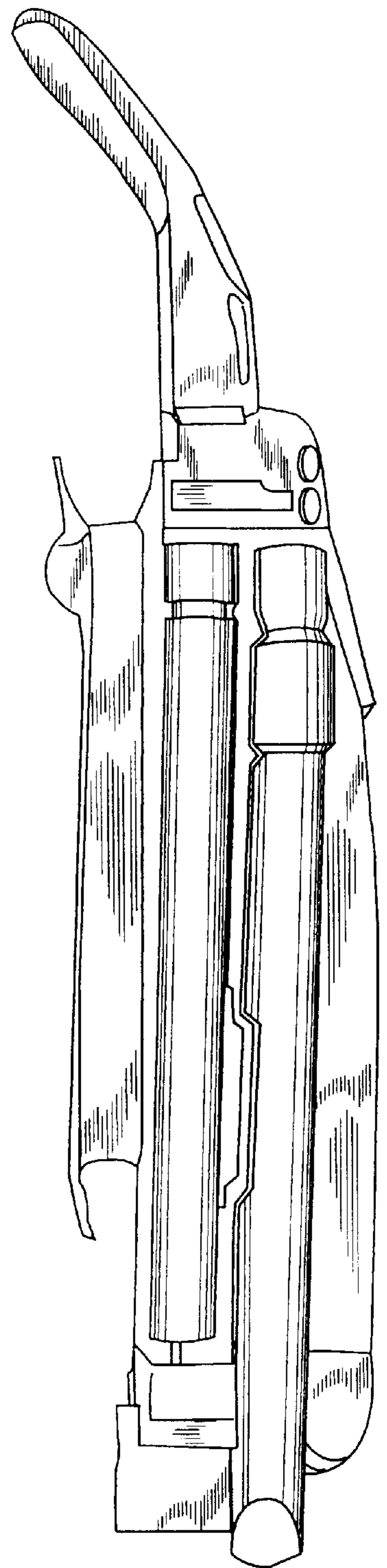
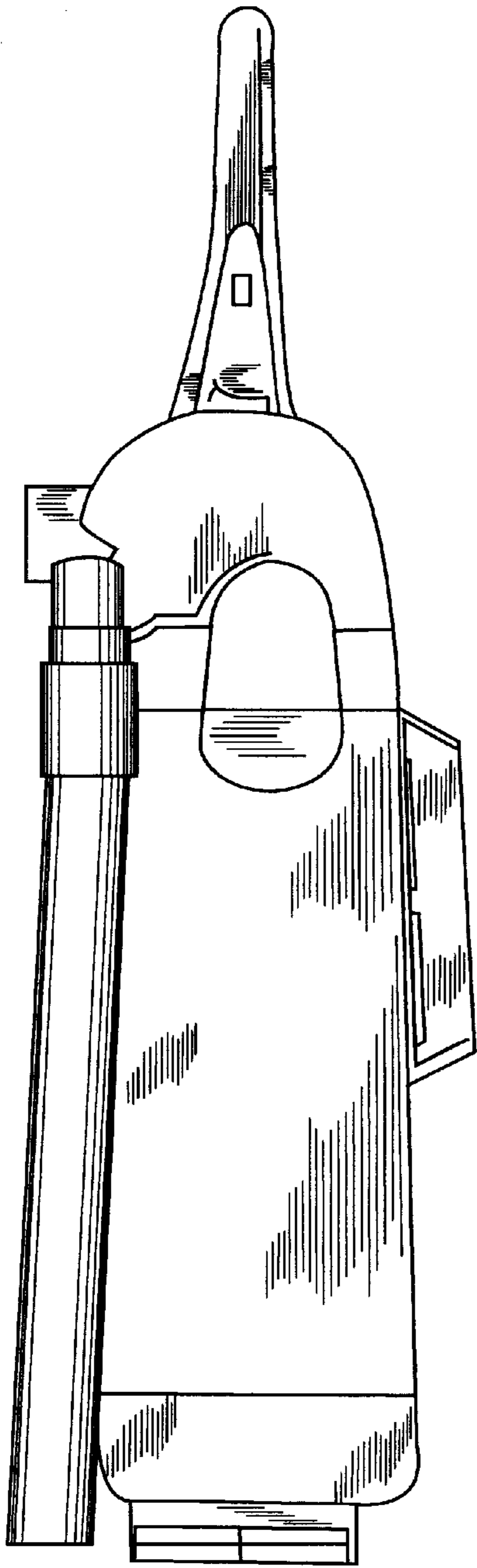
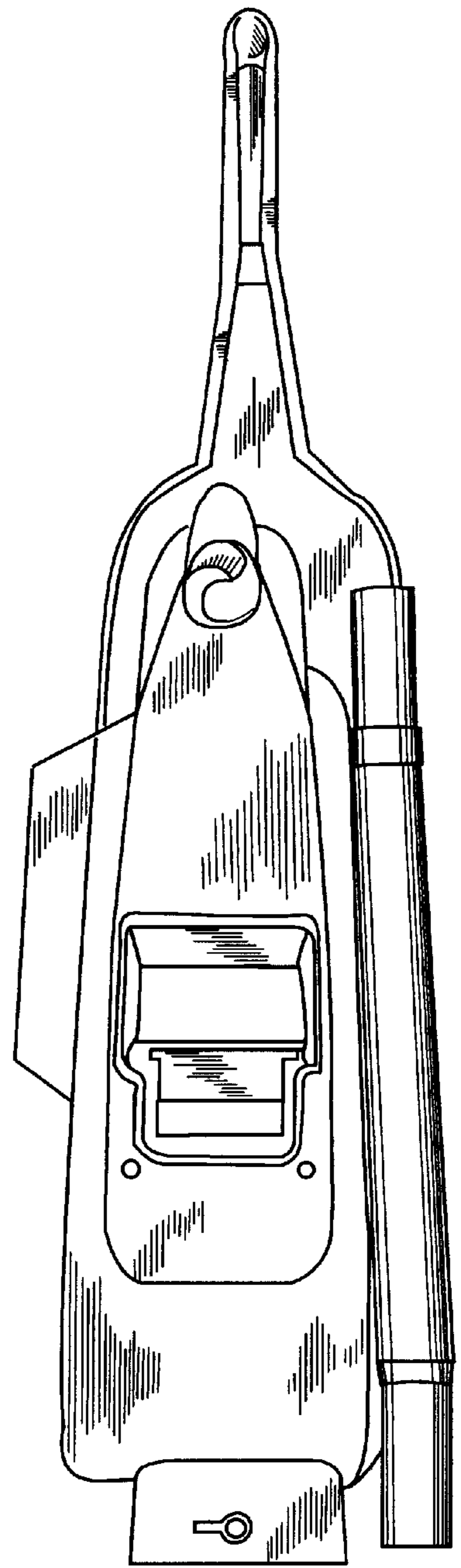


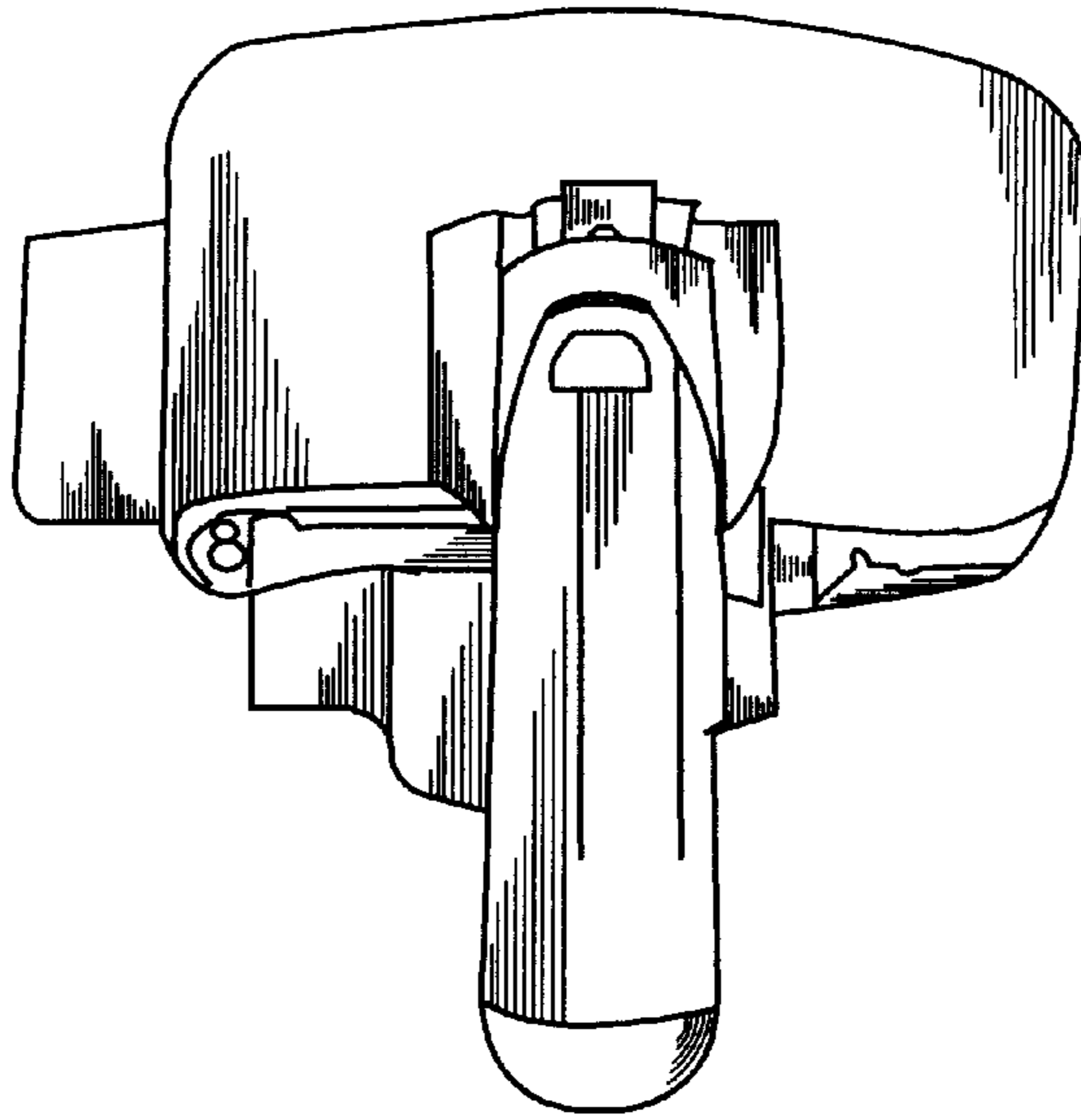
Fig. 2



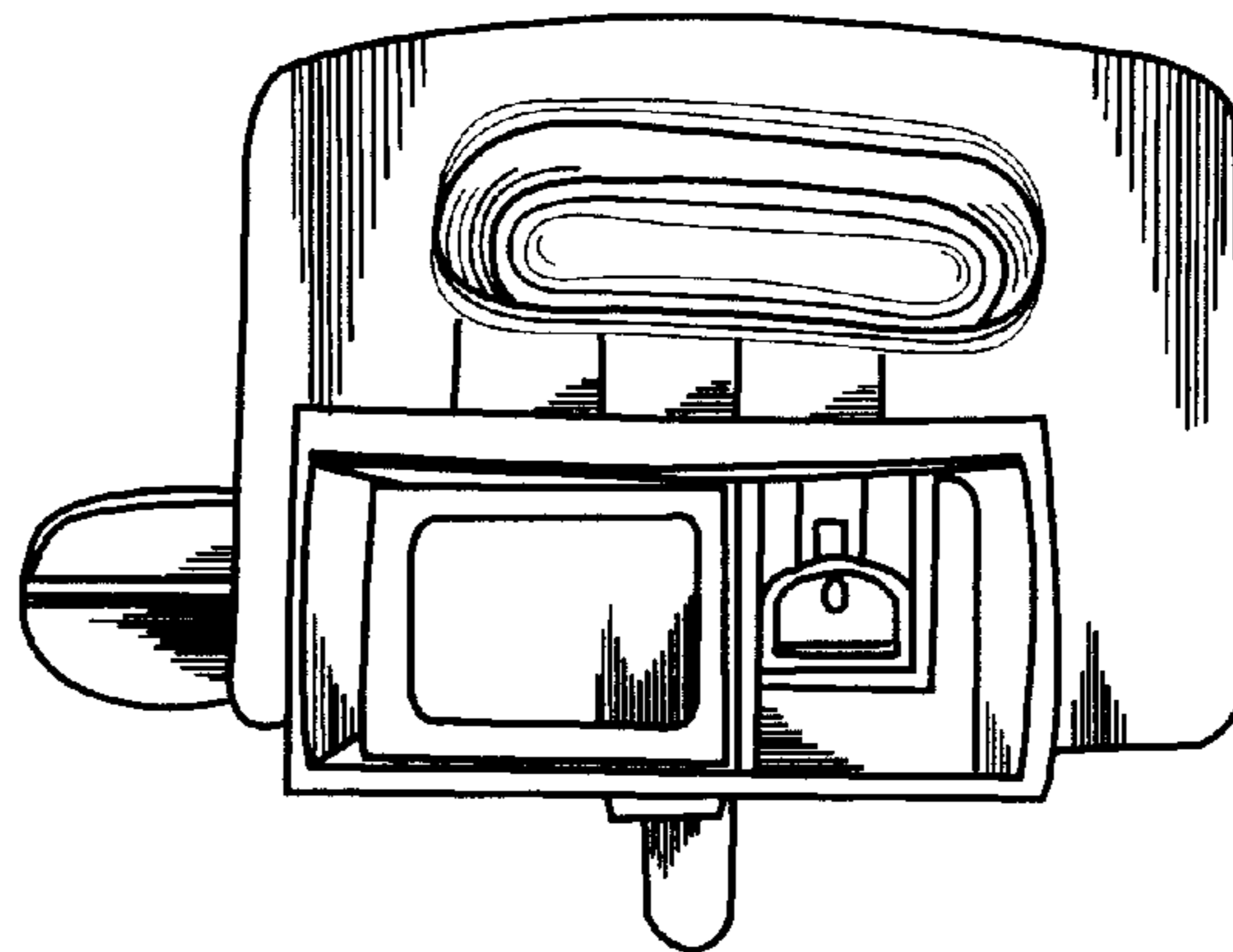
**Fig. 3**



**Fig. 4**



**Fig. 5**



**Fig. 6**