



US00D422387S

United States Patent [19]

Mutoh et al.

[11] Patent Number: **Des. 422,387**

[45] Date of Patent: **** Apr. 4, 2000**

[54] **WASHING MACHINE**

[75] Inventors: **Keishi Mutoh**, Kokubunji; **Toshiyuki Moriya**, Tokorozawa; **Yoshihiro Suzuki**, Hitachi, all of Japan

[73] Assignee: **Hitachi, Ltd.**, Tokyo, Japan

[**] Term: **14 Years**

[21] Appl. No.: **29/091,318**

[22] Filed: **Jul. 27, 1998**

[51] **LOC (6) Cl.** **15-05**

[52] **U.S. Cl.** **D32/25; D32/6**

[58] **Field of Search** D32/6, 8, 9, 12, D32/29, 25, 28; 68/196, 12.26, 17 R, 3 R; 312/228, 257, 263, 265.5, 265.6; 34/596, 603, 108

[56] References Cited

U.S. PATENT DOCUMENTS

D. 359,602	6/1995	Swartz et al.	D32/6
D. 360,500	7/1995	Millet et al.	D32/6
3,187,887	6/1965	Charles et al.	68/3 R
4,986,093	1/1991	Pastryk et al.	68/17 R
5,546,773	8/1996	Lee	68/196
5,685,623	11/1997	Katz et al.	312/263
5,724,837	3/1998	Shin	68/196
5,836,180	11/1998	Herman-Latack et al.	68/17 R
5,857,363	1/1999	Jung et al.	68/196
5,881,576	3/1999	Davies, Jr.	68/3 R

OTHER PUBLICATIONS

Copy of Japanese Design Application from the Japanese Official Gazette No. 961931, 1996.

Copy of Japanese Design Application from the Japanese Official Gazette No. Similarity of 961931, 1996.

Copy of Japanese Design Application from the Japanese Official Gazette No. 1012596, 1998.

Copy of Japanese Design Application from the Japanese Official Gazette No. 1009871, 1998.

Copy of Japanese Design Application from the Japanese Official Gazette No. 1006998, 1998.

Primary Examiner—Louis S. Zarfes

Assistant Examiner—Robert A. Delehanty

Attorney, Agent, or Firm—Antonelli, Terry, Stout & Kraus, LLP

[57] CLAIM

The ornamental design for a washing machine, as shown and described.

DESCRIPTION

FIG. 1 is a front, top and right side perspective view of a washing machine showing our new design;

FIG. 2 is a front elevational view thereof;

FIG. 3 is a top plan view thereof;

FIG. 4 is a right side elevational view thereof;

FIG. 5 is a left side elevational view thereof;

FIG. 6 is a rear side elevational view thereof;

FIG. 7 is a Cross-section view thereof;

FIG. 8 is a front, top and right side perspective view of a washing machine shown with the lid open in condition of use thereof;

FIG. 9 is a top plan view of FIG. 8; and,

FIG. 10 is a right side elevational view of FIG. 8.

The broken line showing of the lower body of a washing machine and top control panel is for illustrative purposes only and forms no part of the claimed design.

1 Claim, 10 Drawing Sheets

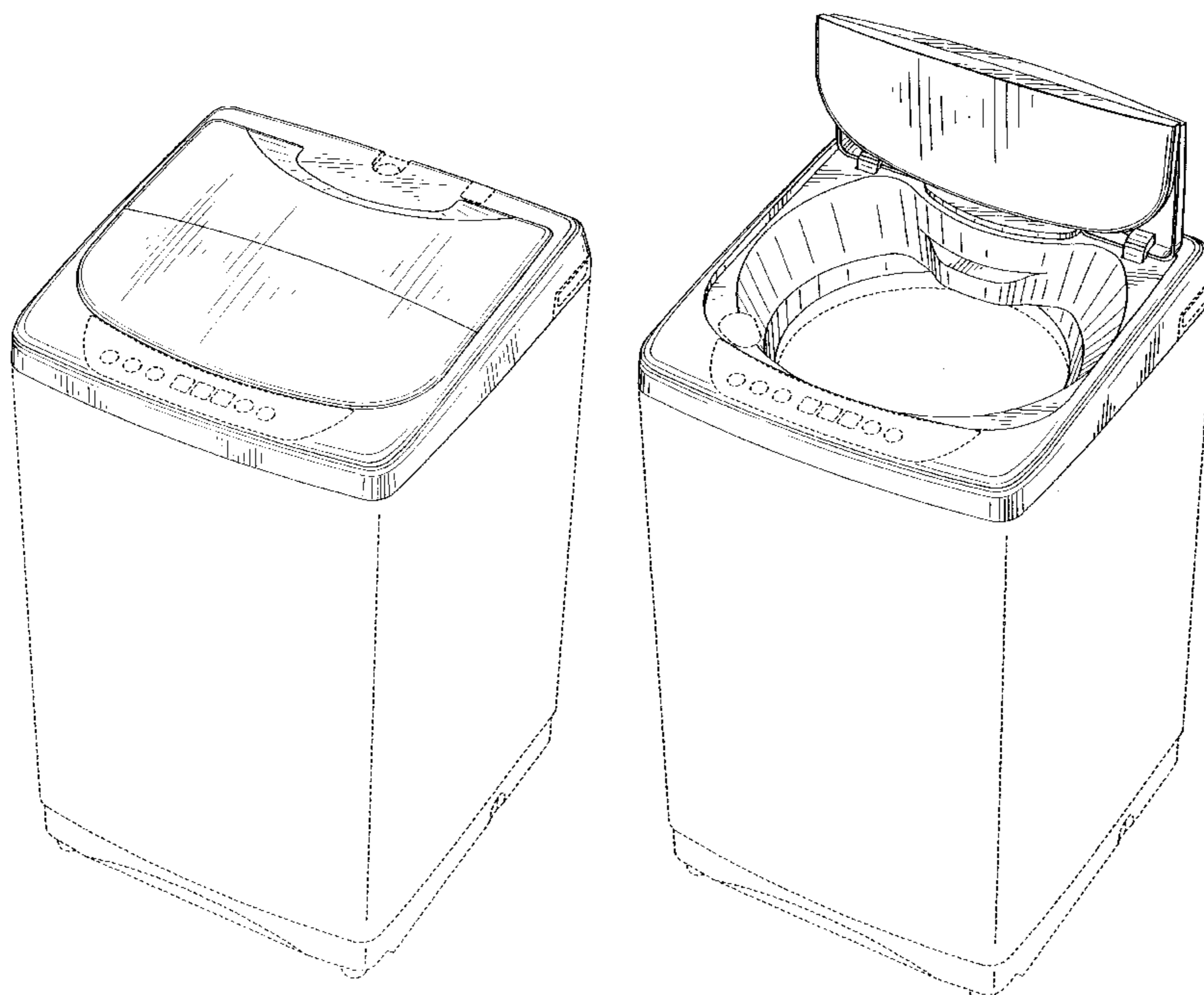


FIG. 1

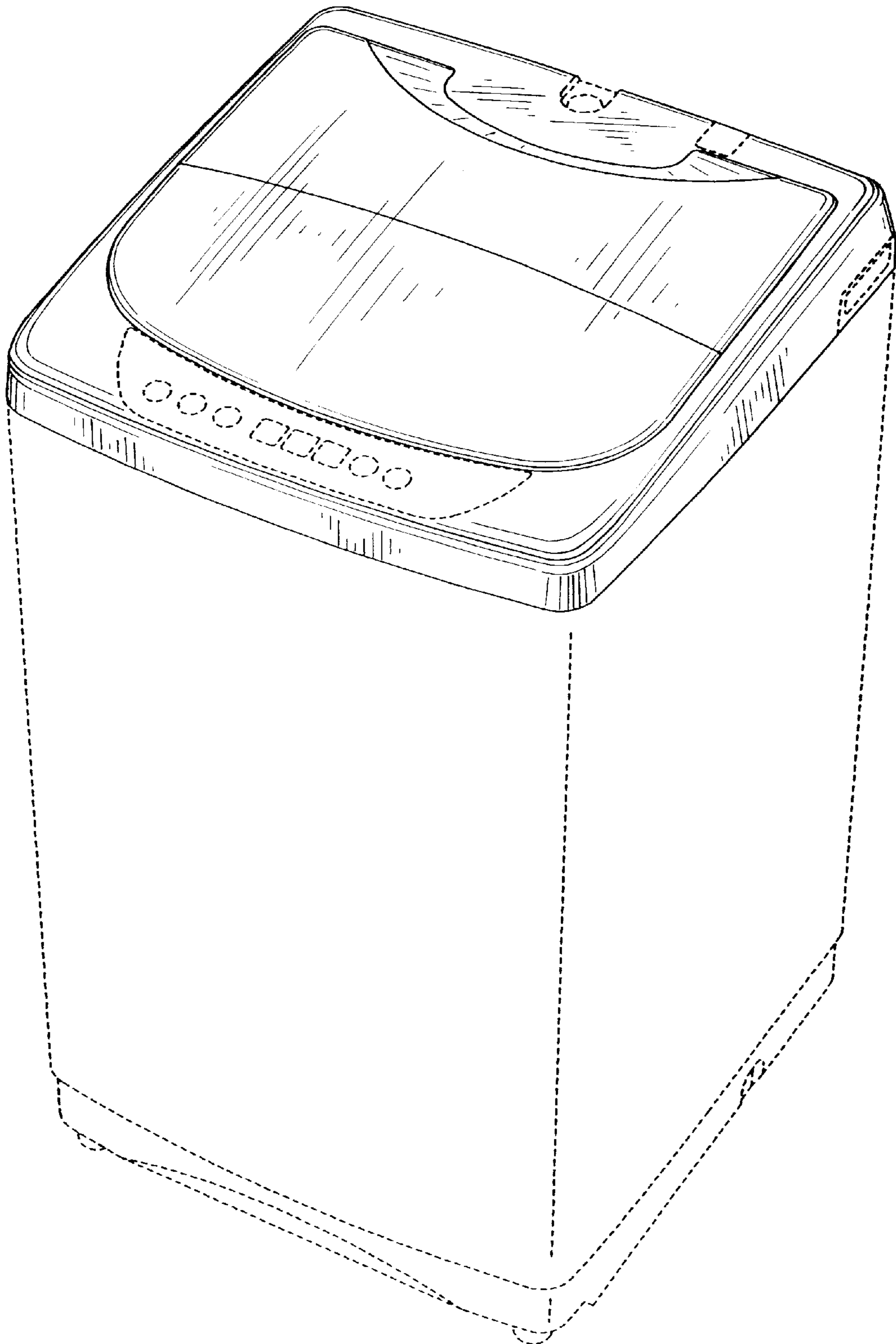


FIG. 2



FIG. 3

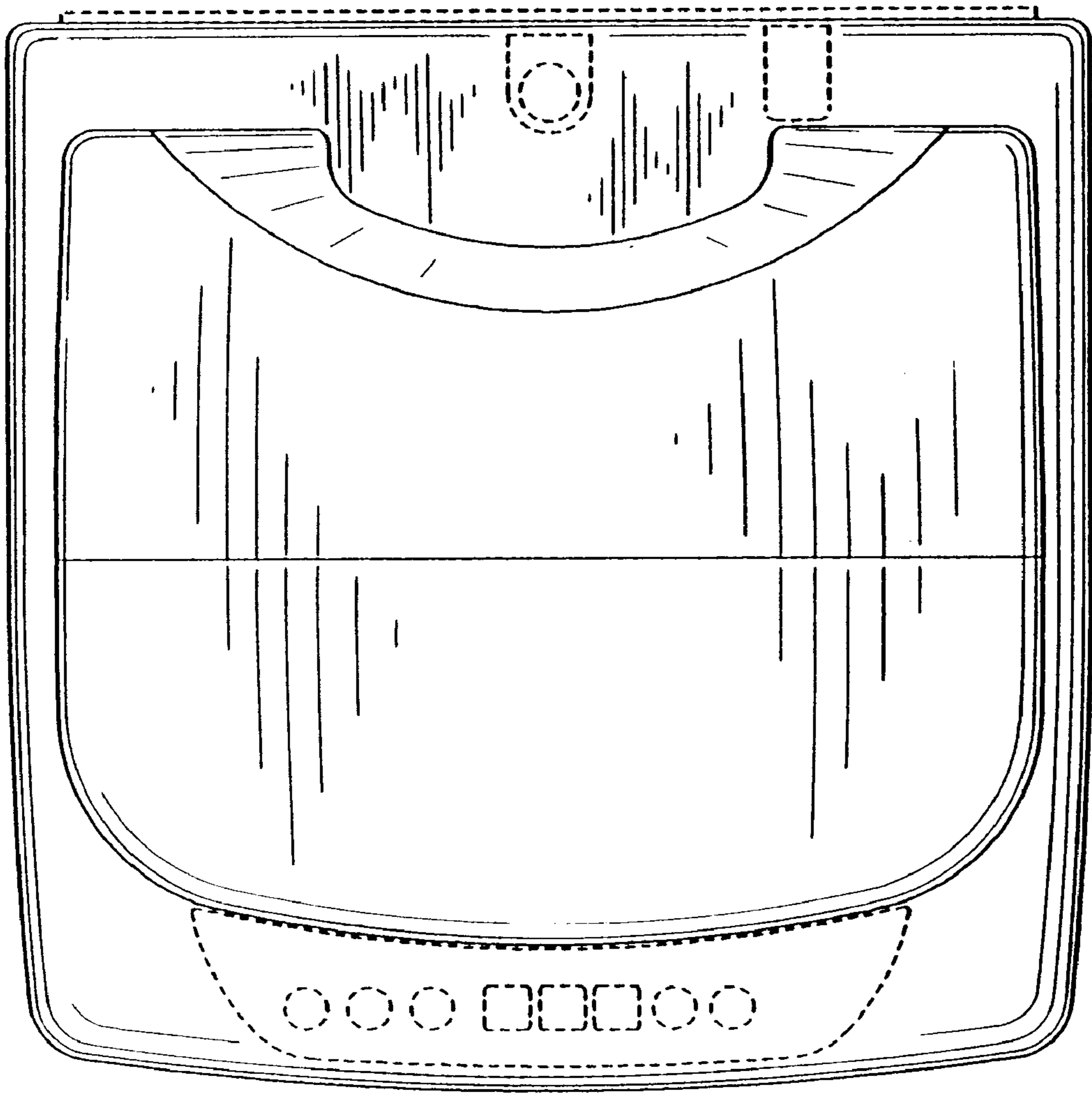


FIG. 4

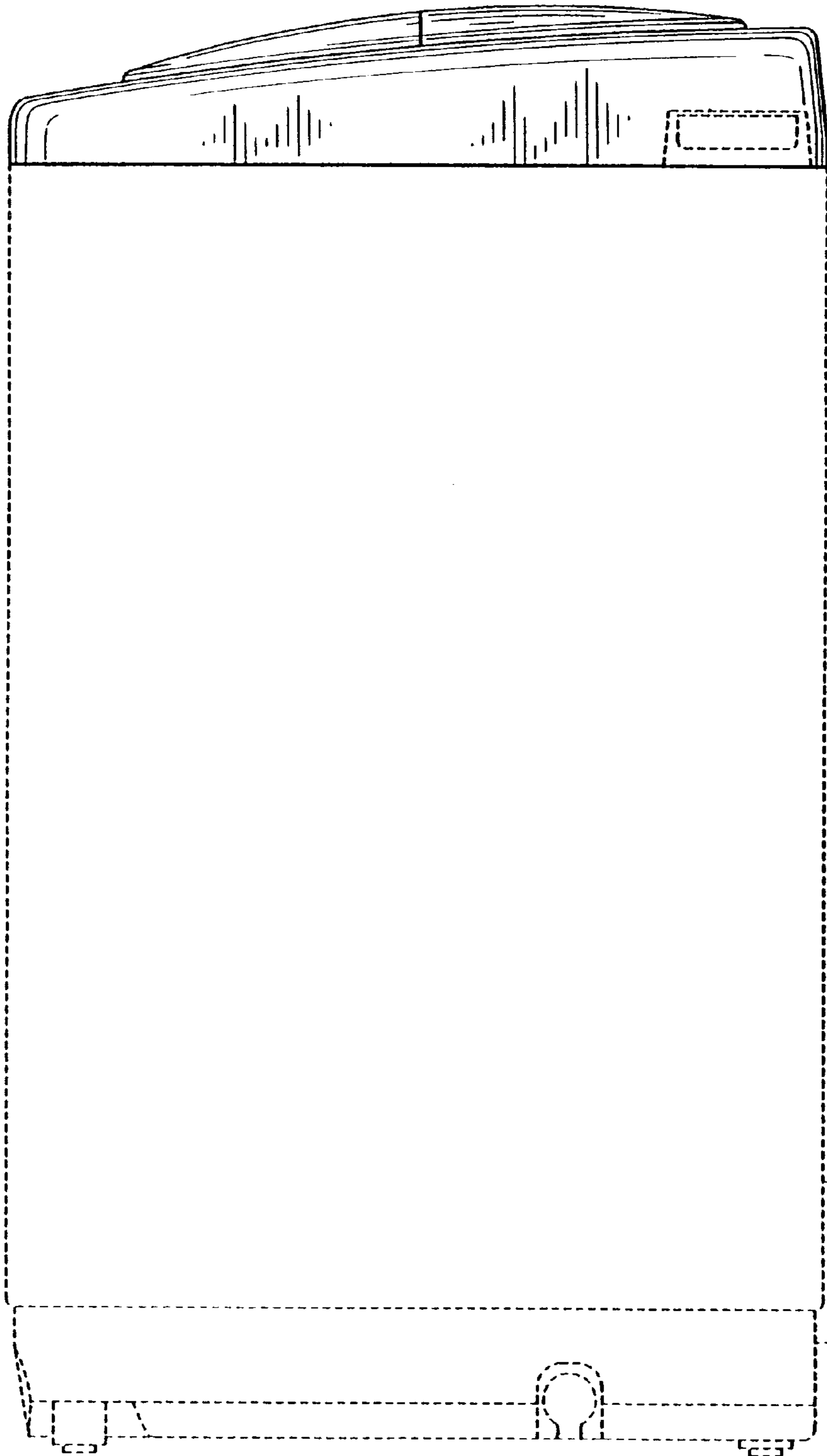


FIG. 5

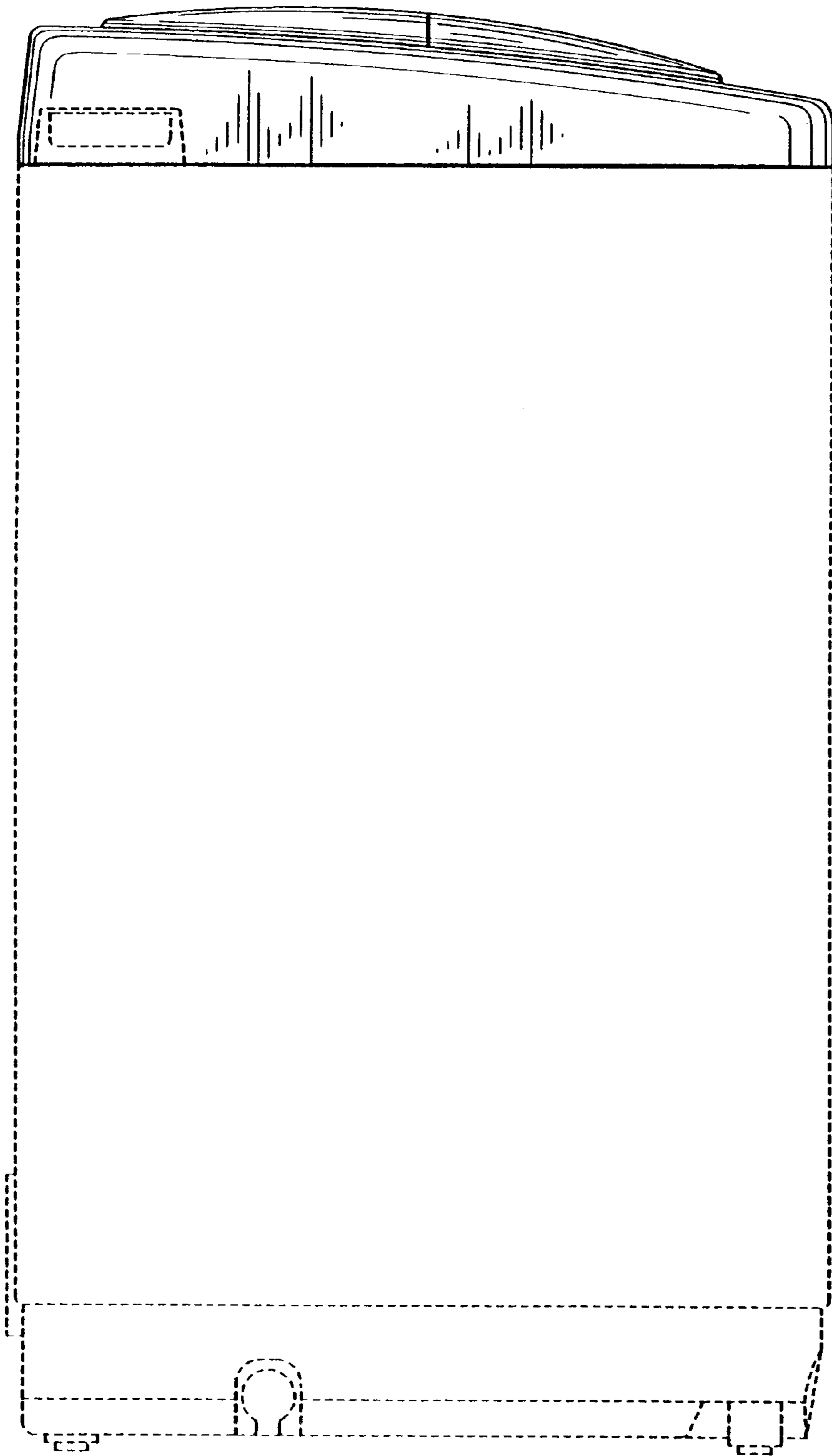


FIG. 6

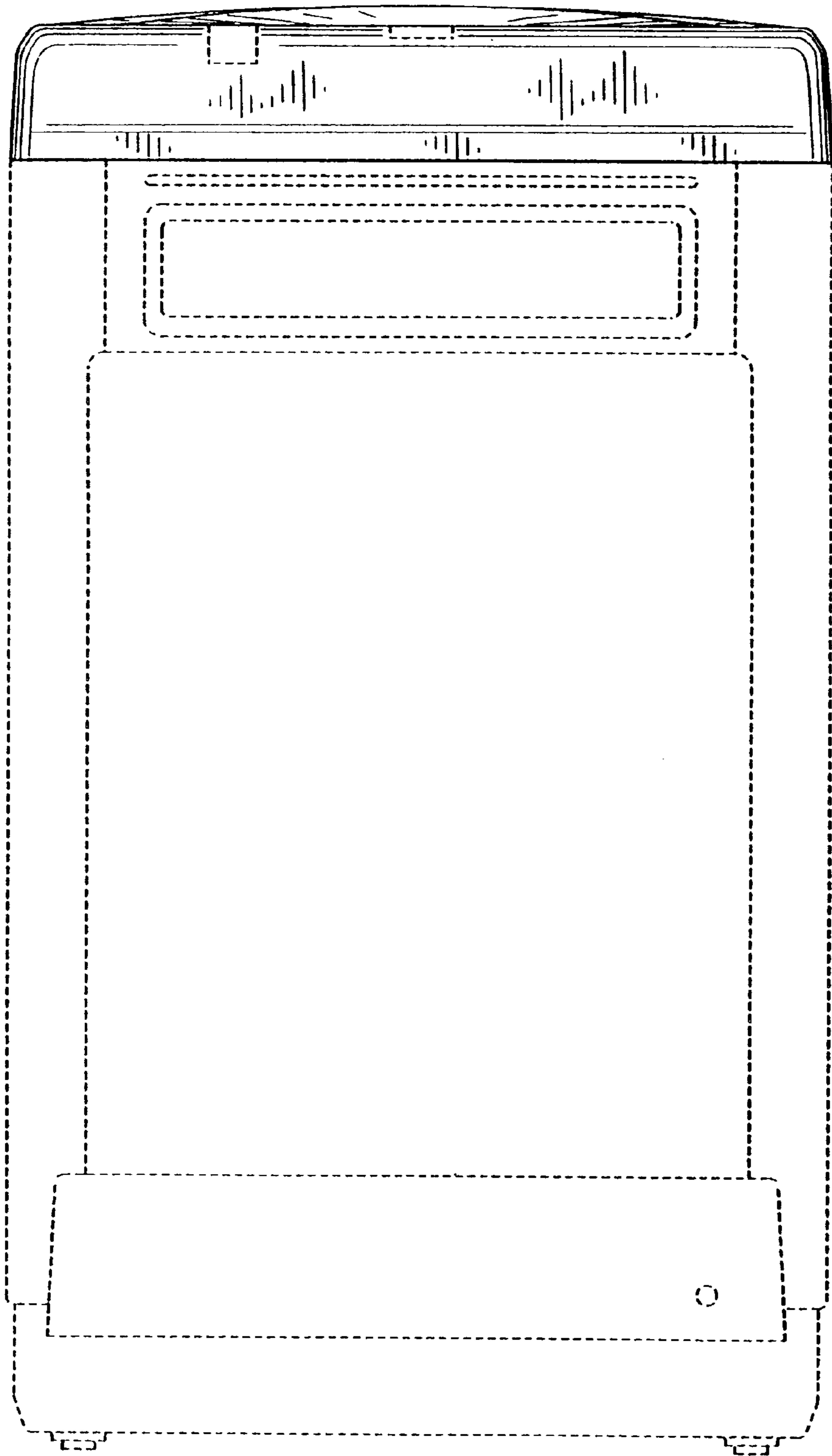


FIG. 7

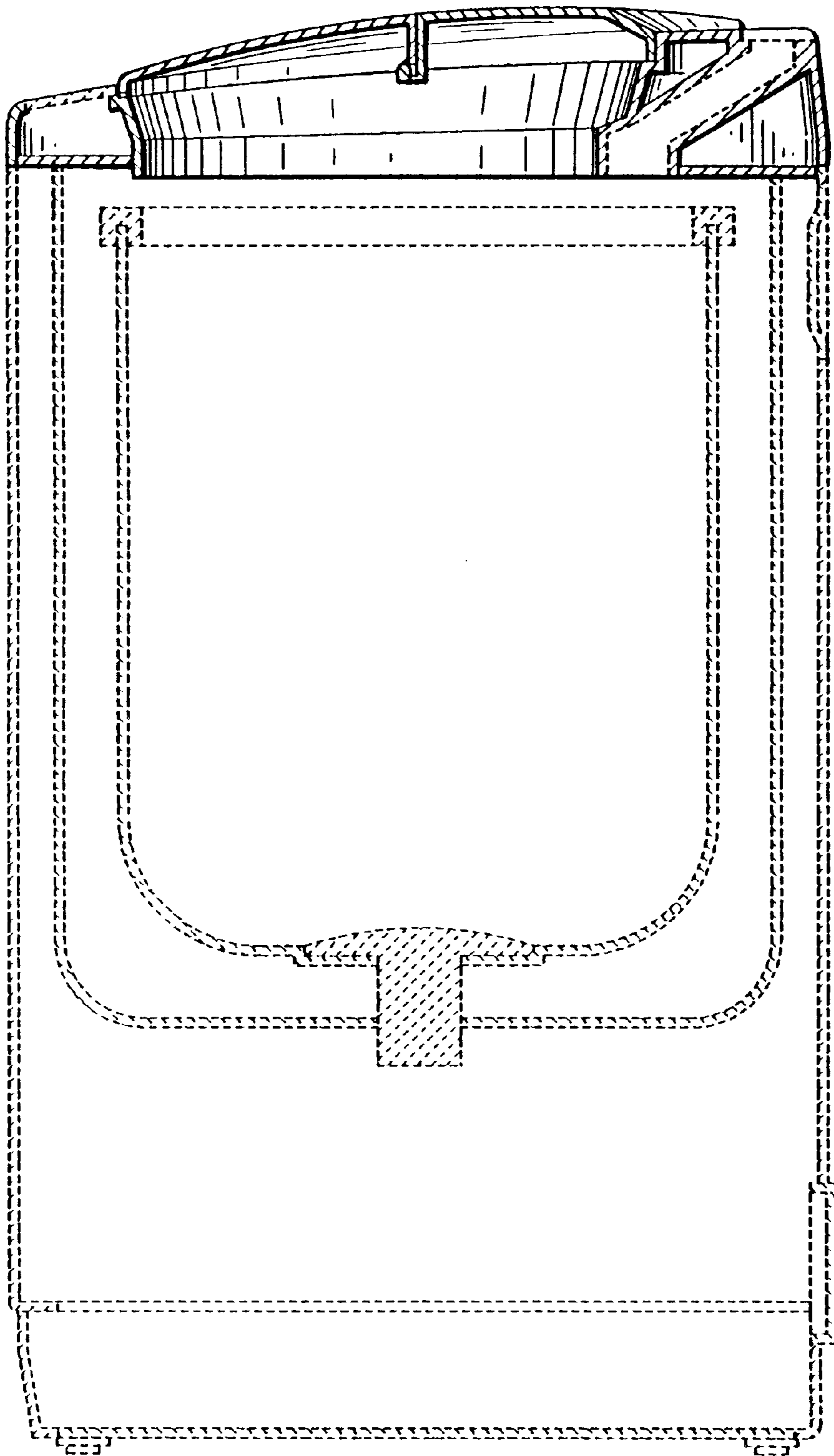


FIG. 8

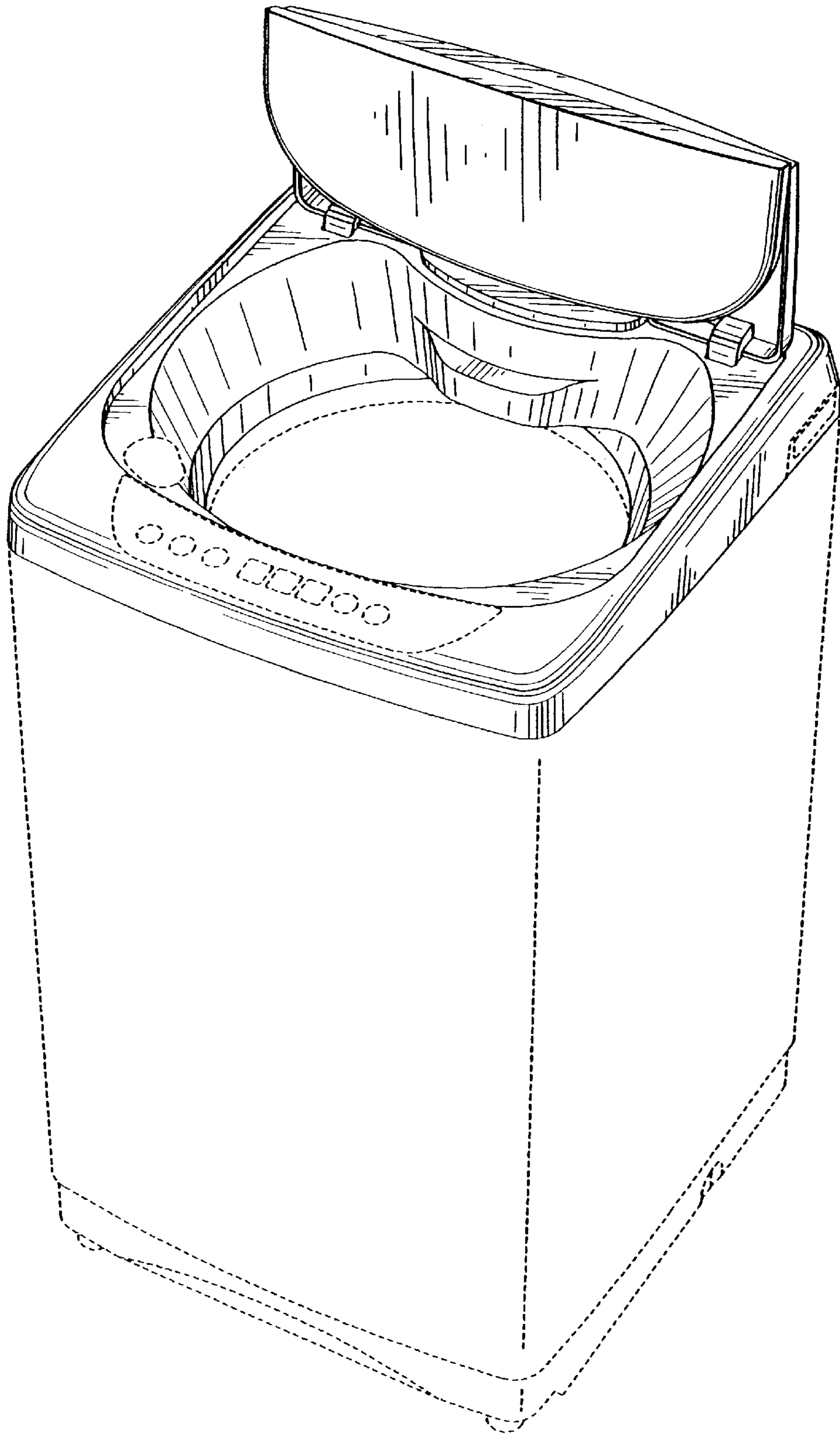


FIG. 9

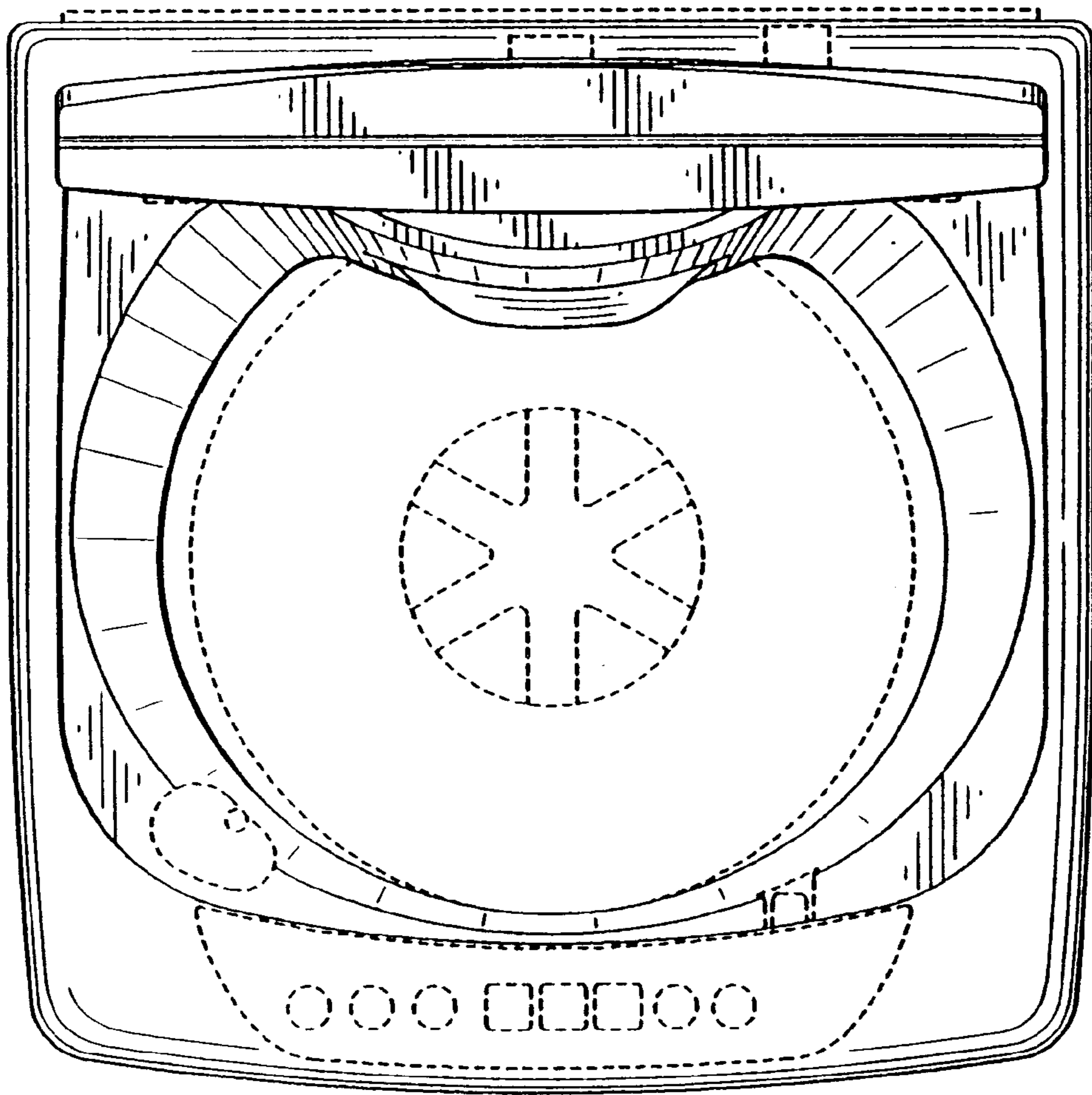


FIG. 10

