



US00D422385S

# United States Patent [19] Callaghan

[11] **Patent Number: Des. 422,385**

[45] **Date of Patent: \*\* Apr. 4, 2000**

[54] **ILLUMINATED PET COLLAR AND LEASH SET**

[76] Inventor: **Patrick Callaghan, 563 Carr Ave., Aromas, Calif. 95004**

[\*\*] Term: **14 Years**

[21] Appl. No.: **29/100,822**

[22] Filed: **Feb. 18, 1999**

[51] **LOC (6) Cl. .... 30-09**

[52] **U.S. Cl. .... D30/153**

[58] **Field of Search** ..... D30/153, 152;  
119/856, 857, 858, 859, 860, 861, 862,  
863, 792; D2/627, 628, 629, 631; 362/103,  
108, 216

[56] **References Cited**

**U.S. PATENT DOCUMENTS**

3,871,336	3/1975	Bergman	119/858	X
3,944,803	3/1976	Chao	119/859	X
4,173,201	11/1979	Chao et al.	119/859	
5,535,106	7/1996	Tangen	362/108	
5,630,382	5/1997	Barbera et al.	119/859	

*Primary Examiner*—Louis S. Zarfes  
*Assistant Examiner*—Catherine R. Oliver

[57] **CLAIM**

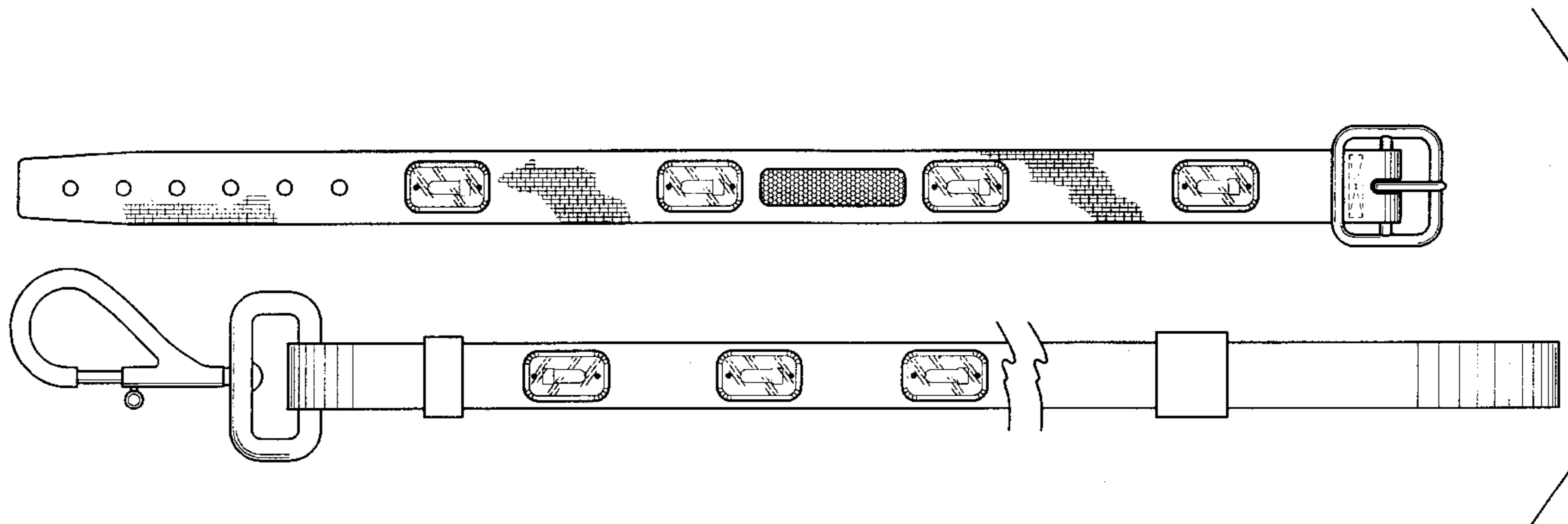
The ornamental design for a illuminated pet collar and leash set, as shown.

**DESCRIPTION**

FIG. 1 is a front elevational view of the illuminated pet collar and leash set of the present invention;  
FIG. 2 is a rear elevational view of the illuminated pet collar and leash set of FIG. 1;  
FIG. 3 is a left side elevational view of the illuminated pet collar and leash set of FIG. 1;  
FIG. 4 is a right side elevational view of the illuminated pet collar and leash set of FIG. 1;  
FIG. 5 is a top plan view of the illuminated pet collar and leash set of FIG. 1; and,  
FIG. 6 is a bottom plan view of the illuminated pet collar and leash set of FIG. 1.

The leash is shown broken away in FIGS. 1, 2, 5 and 6 to indicate indeterminate length.

**1 Claim, 2 Drawing Sheets**



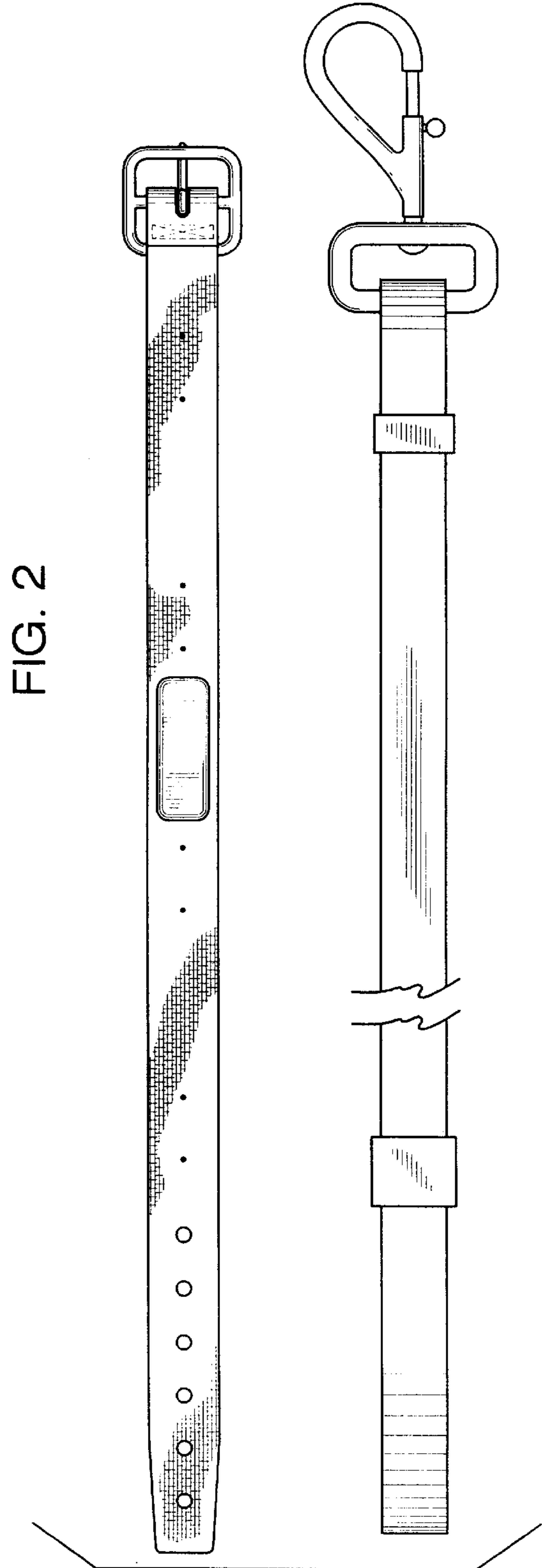
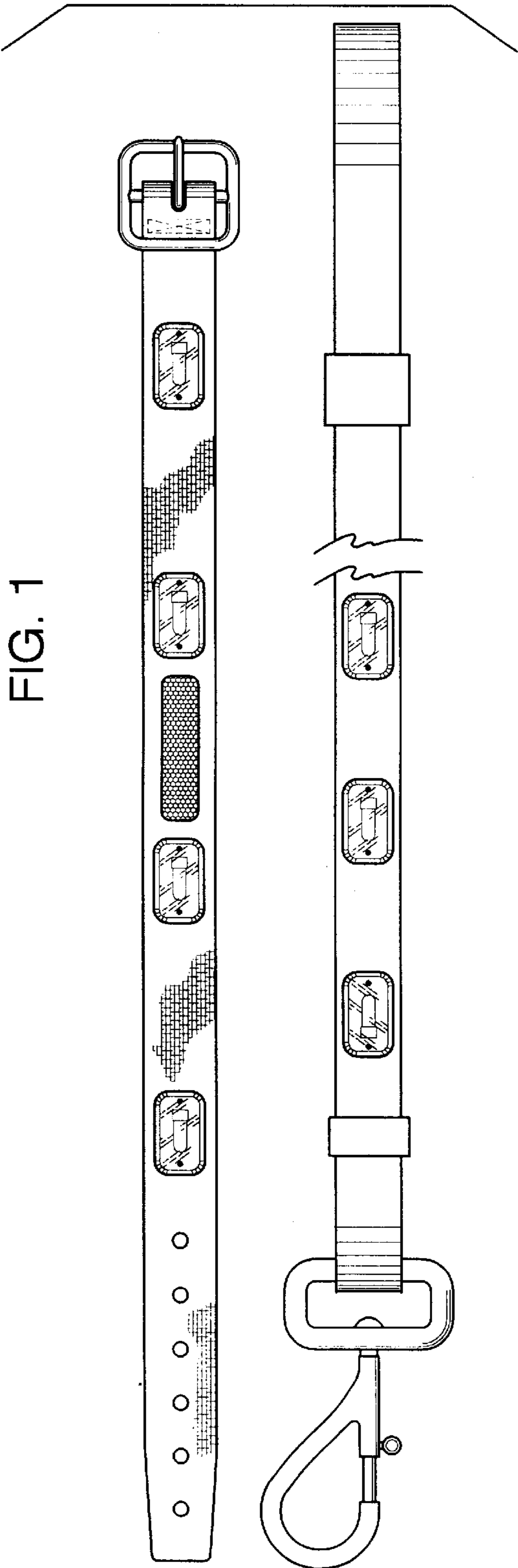


FIG. 4

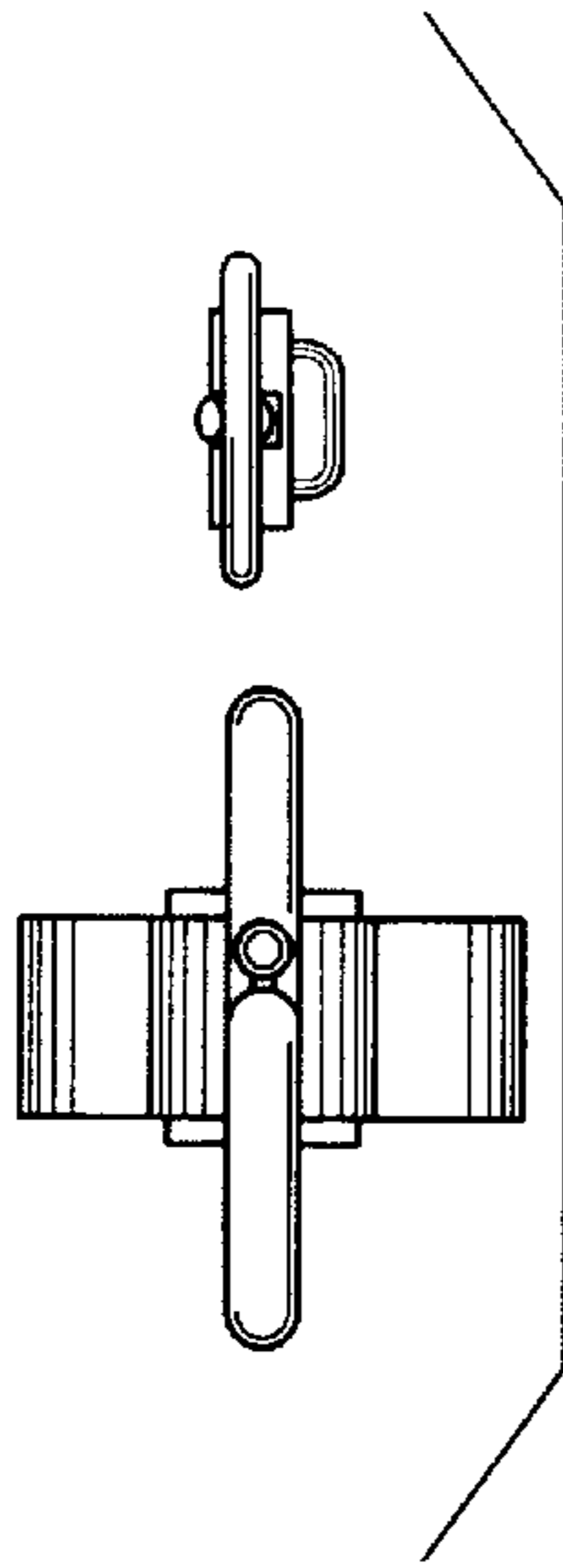


FIG. 3

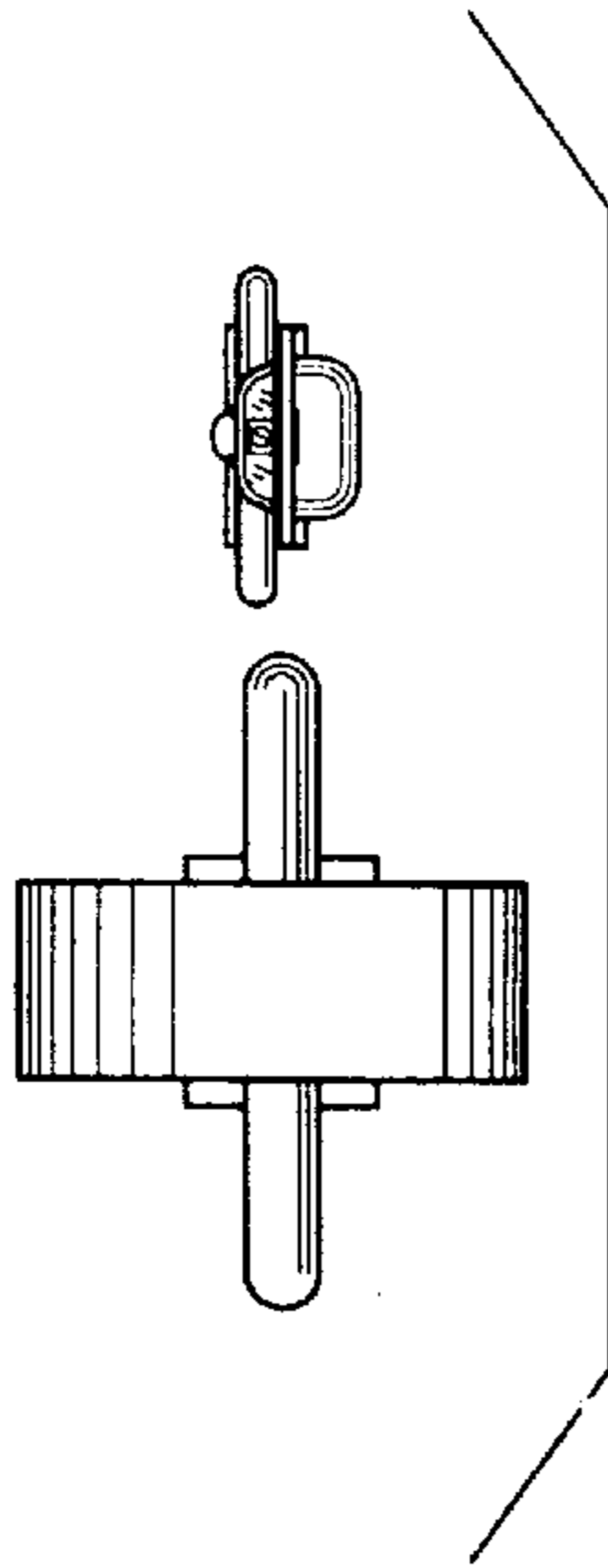


FIG. 5

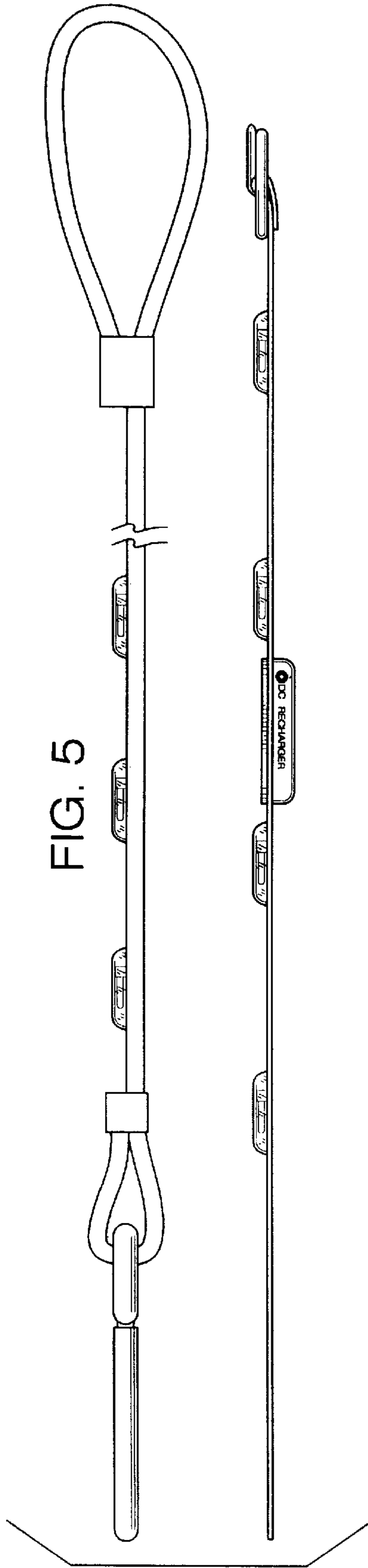


FIG. 6

