



US00D422380S

**United States Patent** [19]

[11] **Patent Number: Des. 422,380**

**Tseng et al.**

[45] **Date of Patent: \*\* Apr. 4, 2000**

[54] **SHAVING AID STRIP FOR RAZOR CARTRIDGE**

[75] Inventors: **Mingchih M. Tseng**, Hingham;  
**Stephen C. Metcalf**, West Newton,  
both of Mass.

[73] Assignee: **The Gillette Company**, Boston, Mass.

[\*\*] Term: **14 Years**

[21] Appl. No.: **29/092,921**

[22] Filed: **Aug. 31, 1998**

**Related U.S. Application Data**

[62] Division of application No. 29/067,419, Feb. 27, 1997, Pat. No. Des. 401,014.

[51] **LOC (6) Cl.** ..... **28-03**

[52] **U.S. Cl.** ..... **D28/47**

[58] **Field of Search** ..... D28/44-48; 30/32,  
30/34.05, 34.2, 41, 47-84, 346.5, 346.55,  
346.58, 346.59

**References Cited**

**U.S. PATENT DOCUMENTS**

- D. 231,050 3/1974 Gray .
- D. 377,237 1/1997 Brown et al. .... D28/47
- 1,147,054 7/1915 Turka .
- 1,744,803 1/1930 Roth ..... 30/346.55
- 2,111,217 3/1938 Lawrence .
- 2,326,774 8/1943 Freedman .
- 2,680,290 6/1954 Steinberg .
- 2,703,451 3/1955 Hensel et al. .
- 2,750,664 6/1956 Merlo .
- 2,812,575 11/1957 Abbott et al. .
- 2,885,993 5/1959 Murphy .

(List continued on next page.)

**FOREIGN PATENT DOCUMENTS**

- 133093 4/1933 Austria .
- 0 348 627 A1 1/1990 European Pat. Off. .
- 0 287 387 B1 9/1991 European Pat. Off. .
- 0 313 184 B1 6/1992 European Pat. Off. .
- 0 550 835 A1 12/1992 European Pat. Off. .

- 1 481 271 4/1967 France .
- 2 563 142 A1 10/1985 France .
- 2 637 528 A1 4/1990 France .
- 35 33 238 A1 3/1987 Germany .
- 36 04 983 A1 8/1987 Germany .
- 7-124344 5/1995 Japan .
- 2 183 523 6/1987 United Kingdom .
- 2 024 082 1/1990 United Kingdom .
- WO 92/15278 9/1992 WIPO .
- WO 93/15883 8/1993 WIPO .
- WO 93/16135 8/1993 WIPO .
- WO 94/04325 3/1994 WIPO .
- WO 95/20472 8/1995 WIPO .
- WO 95/22444 8/1995 WIPO .
- WO 96/01172 1/1996 WIPO .
- WO 96/04112 2/1996 WIPO .
- WO 96/13360 9/1996 WIPO .

**OTHER PUBLICATIONS**

“The Razor Tamer”, Wafer Shave No Drawings.

*Primary Examiner*—Ted Shooman

*Assistant Examiner*—C Tuttle

*Attorney, Agent, or Firm*—Fish & Richardson P.C.

[57] **CLAIM**

The ornamental design for a shaving aid strip for a razor cartridge, as shown and described.

**DESCRIPTION**

FIG. 1 is a perspective view of a shaving aid strip for a razor cartridge showing our new design.

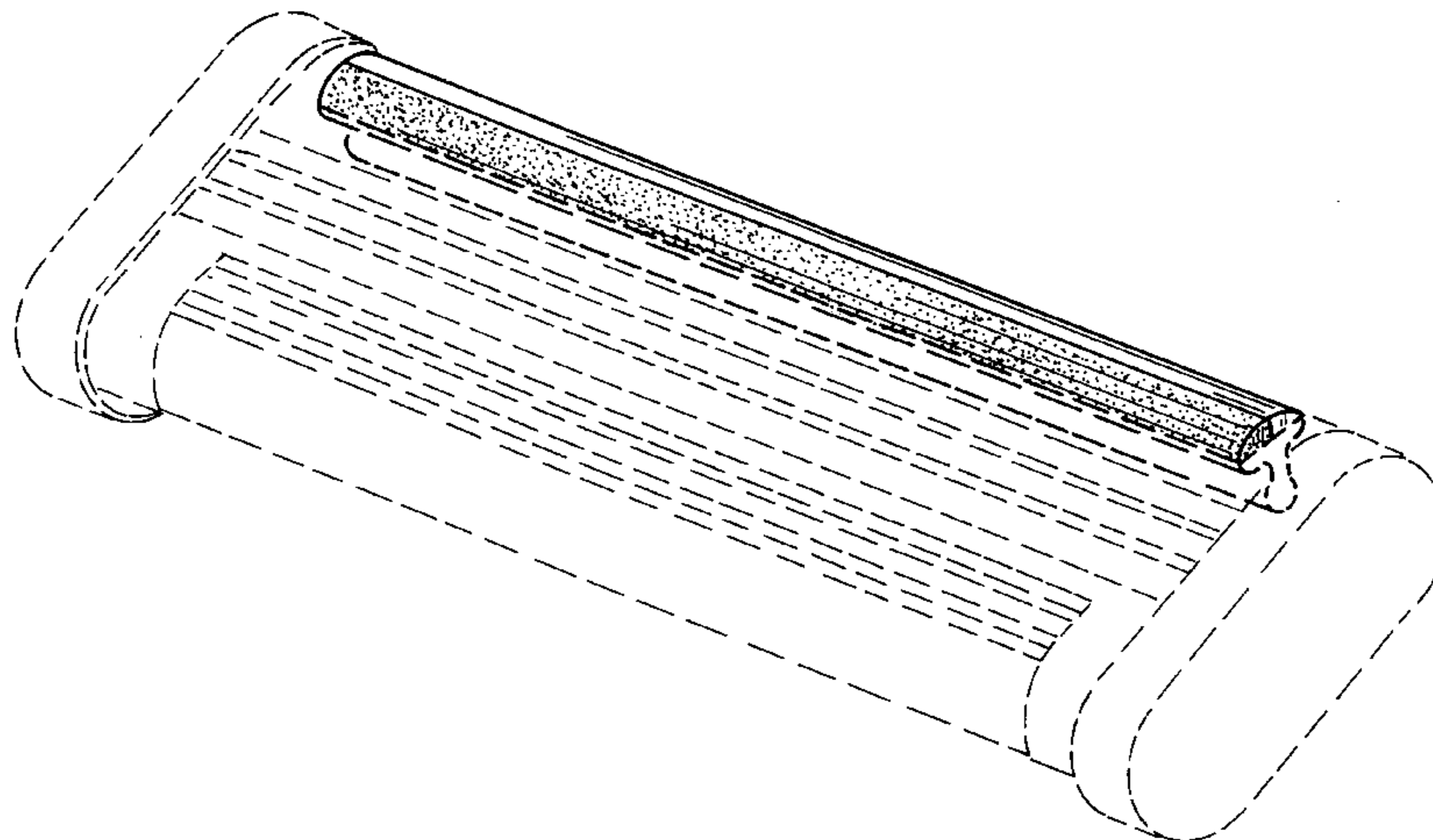
FIG. 2 is a side elevational view, the other side elevation view being a mirror image thereof;

FIG. 3 is a top plan view of the shaving aid strip of FIG. 2; FIG. 4 is a front elevation view of the shaving aid strip of FIG. 2; and,

FIG. 5 is a rear elevation view of the shaving aid strip of FIG. 2.

The broken line which defines the lower boundary of the claimed design forms no part thereof. The broken lines showing the razor cartridge and parts underlying the broken line boundary are for illustrative purposes only and form no part of the claimed design. The stippling represents a color contrasting surface.

**1 Claim, 1 Drawing Sheet**



## U.S. PATENT DOCUMENTS

3,229,659	1/1966	Sciascia .	5,005,287	4/1991	Ritter .
3,394,456	7/1968	Gatz .	5,056,221	10/1991	Thoene .
3,512,256	5/1970	Snyder .	5,056,222	10/1991	Miller et al. .
3,517,442	6/1970	Regan .	5,062,209	11/1991	Rais .
3,618,563	11/1971	Singer .	5,063,667	11/1991	Jacobson .
3,673,684	7/1972	Muntz .	5,079,839	1/1992	Conrad, Jr. et al. .
3,879,844	4/1975	Griffiths .	5,095,619	3/1992	Davis et al. .
4,170,821	10/1979	Booth .	5,095,620	3/1992	Althaus .
4,201,599	5/1980	Morgans .	5,113,585	5/1992	Rogers et al. .
4,208,984	6/1980	Glanzman .	5,119,557	6/1992	Kaiko .
4,268,958	5/1981	Hilbert .	5,134,775	8/1992	Althaus et al. .
4,381,293	4/1983	Michel .	5,161,307	11/1992	Althaus .
4,586,255	5/1986	Jacobson .	5,191,712	3/1993	Crook et al. .
4,604,604	8/1986	Mann .	5,228,478	7/1993	Kleisle .
4,624,051	11/1986	Apprille, Jr. et al. .	5,240,107	8/1993	Casale .
4,683,096	7/1987	Ferraro .	5,249,361	10/1993	Apprille, Jr. et al. .
4,692,986	9/1987	Motta et al. .	5,340,581	8/1994	Tseng et al. .
4,697,342	10/1987	Ferraro .	5,345,680	9/1994	Vreeland et al. .
4,777,722	10/1988	Trotta .	5,347,716	9/1994	Crook .
4,778,640	10/1988	Braun et al. .	5,349,750	9/1994	Tseng .
4,802,255	2/1989	Breuer et al. .	5,388,331	2/1995	Siamak .
4,850,106	7/1989	Braun et al. .	5,410,810	5/1995	Gillibrand .
4,872,263	10/1989	Etheredge, III .	5,416,973	5/1995	Brown et al. .
4,875,287	10/1989	Creary et al. .	5,430,939	7/1995	Johnston .
			5,454,164	10/1995	Yin et al. .

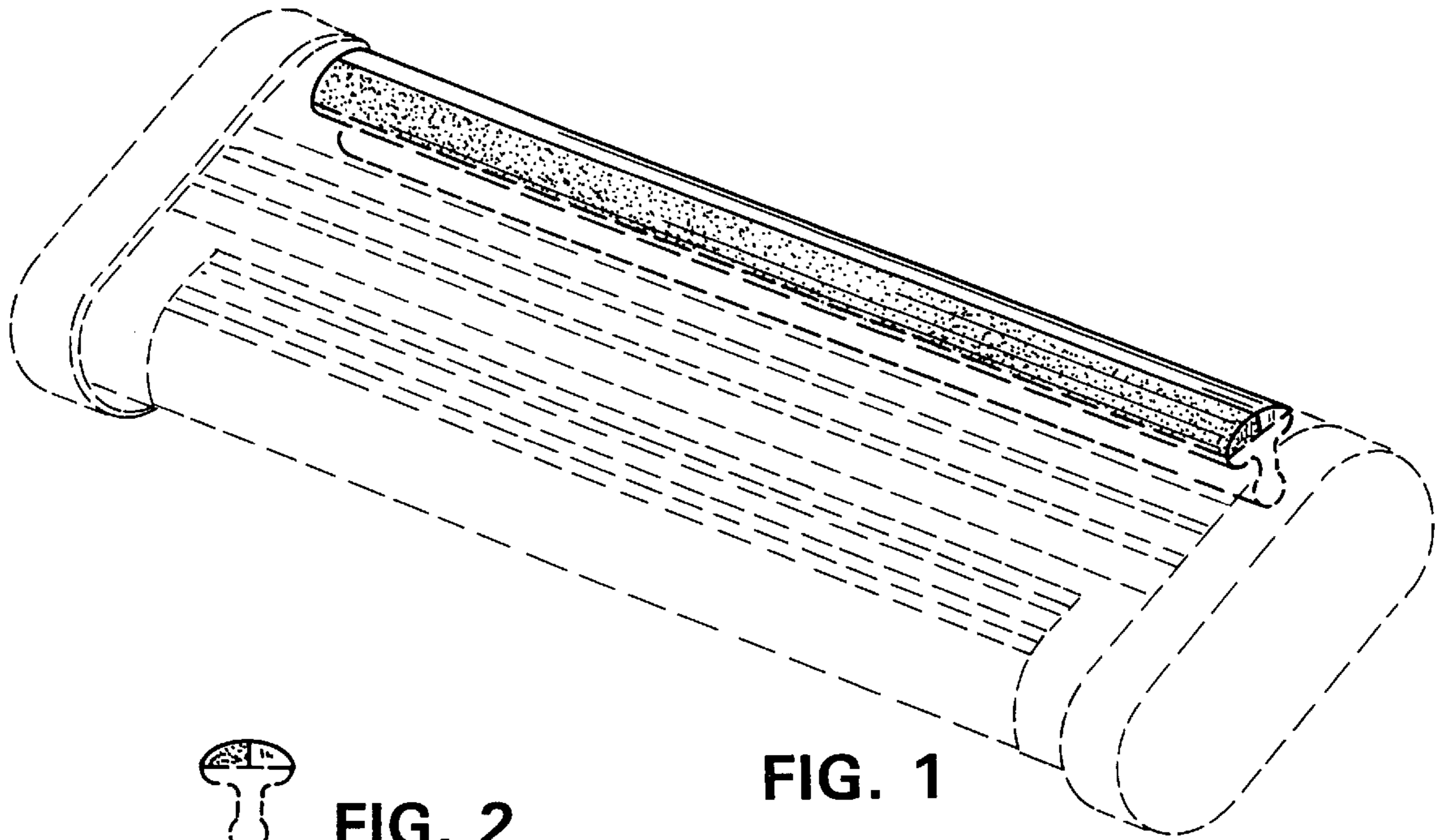


FIG. 2

FIG. 1

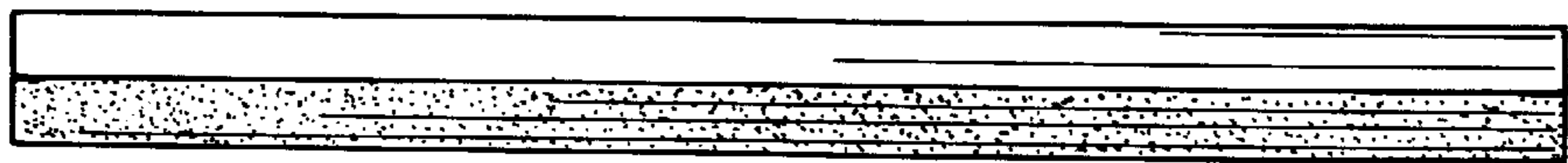


FIG. 3

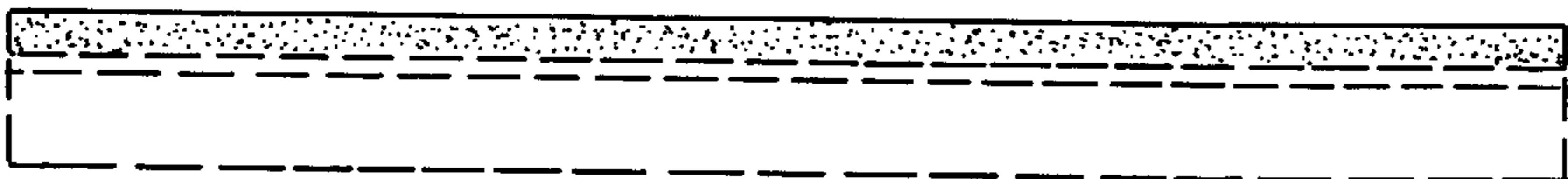


FIG. 4

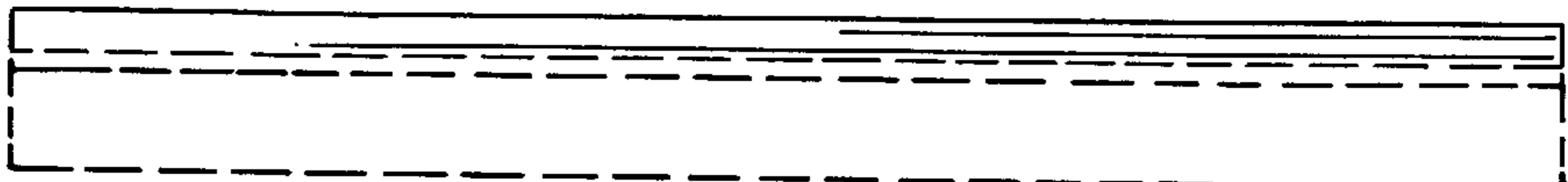


FIG. 5