



US00D422371S

# United States Patent [19]

[11] Patent Number: **Des. 422,371**

**Kato et al.**

[45] Date of Patent: **\*\* Apr. 4, 2000**

- [54] **SELF-BALLASTED COMPACT FLUORESCENT LAMPS**
- [75] Inventors: **Masayoshi Kato; Takeshi Matsumura; Shiro Iida**, all of Osaka, Japan
- [73] Assignee: **Matsushita Electronics Corporation**, Japan
- [\*\*] Term: **14 Years**
- [21] Appl. No.: **29/098,286**
- [22] Filed: **Dec. 24, 1998**
- [51] **LOC (6) Cl.** ..... **26-04**
- [52] **U.S. Cl.** ..... **D26/3**
- [58] **Field of Search** ..... D26/1, 2, 3, 26; 313/313, 317, 318, 493, 56, 57, 58, 63

97301318	2/1998	China .
97301533	2/1998	China .
97301683	2/1998	China .
97301725	2/1998	China .
97302023	2/1998	China .
77685	3/1980	France .
DM 003871	6/1984	Hague Agreement .
DM 011712	8/1990	Hague Agreement .
DM 017294	8/1990	Hague Agreement .
DM 042173	11/1997	Hague Agreement .
631924	8/1984	Japan .
631926	8/1984	Japan .
631926	6/1985	Japan .
8-255592	10/1996	Japan .
2066733	6/1979	United Kingdom .
2035326	11/1993	United Kingdom .
2062441	1/1997	United Kingdom .

*Primary Examiner*—Marcus A. Jackson  
*Attorney, Agent, or Firm*—Saidman DesignLaw Group

## [56] References Cited

## [57] CLAIM

### U.S. PATENT DOCUMENTS

The ornamental design for a self-ballasted compact fluorescent lamps, as shown and described.

D. 302,861	8/1989	Jayama	.....	D26/3
D. 304,377	10/1989	Fujita et al.	.....	D26/3
D. 334,244	3/1993	Shaffer et al.	.....	D26/3
D. 357,546	4/1995	Hermes	.....	D26/3
D. 366,705	1/1996	Yang	.....	D26/3
D. 379,673	6/1997	Sangen et al.	.....	D26/3

### DESCRIPTION

### FOREIGN PATENT DOCUMENTS

96318751	1/1998	China .
97301724	1/1998	China .
97301218	2/1998	China .
97301221	2/1998	China .
97301222	2/1998	China .
97301223	2/1998	China .
97301224	2/1998	China .

FIG. 1 is a perspective view of the top, front and right side of a self-ballasted compact fluorescent lamps showing our new design;  
 FIG. 2 is a front view thereof;  
 FIG. 3 is a right side thereof;  
 FIG. 4 is a top plan view thereof;  
 FIG. 5 is a bottom view thereof;  
 FIG. 6 is a rear view thereof; and,  
 FIG. 7 is a left side view thereof.

**1 Claim, 2 Drawing Sheets**

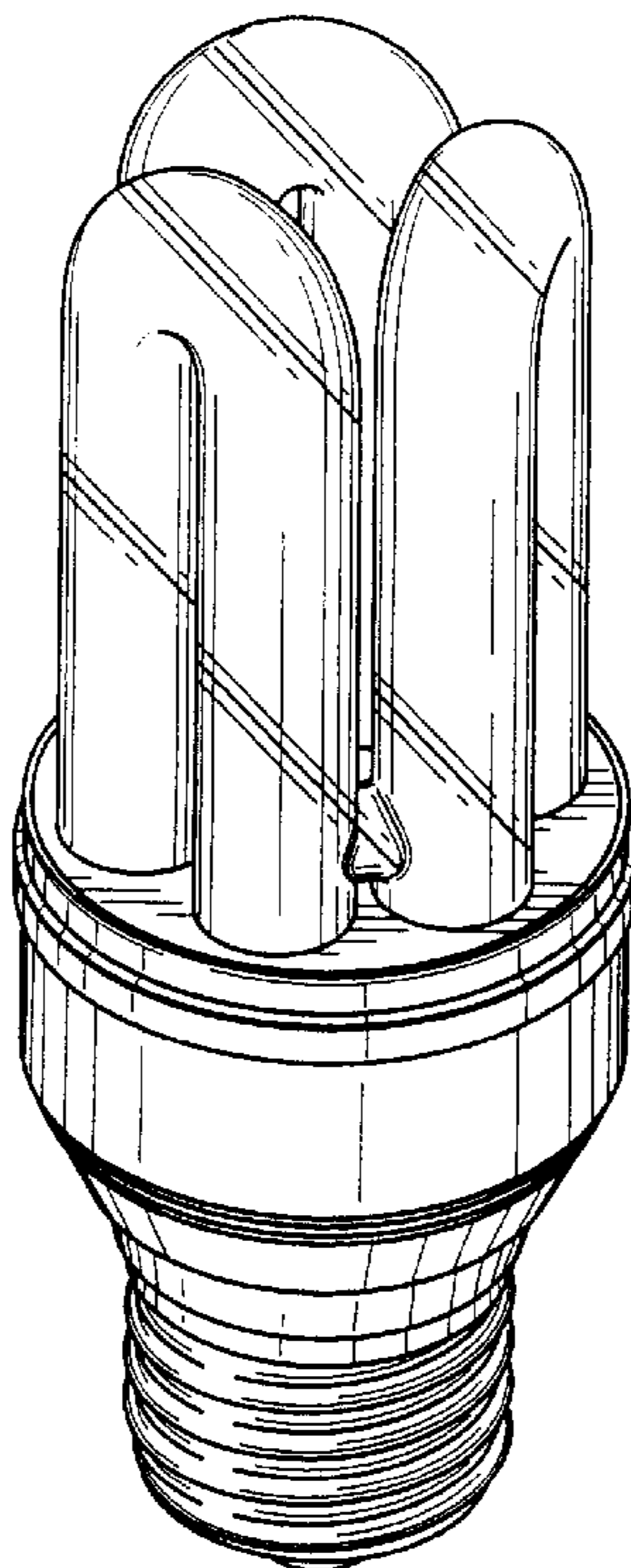


FIG. 1

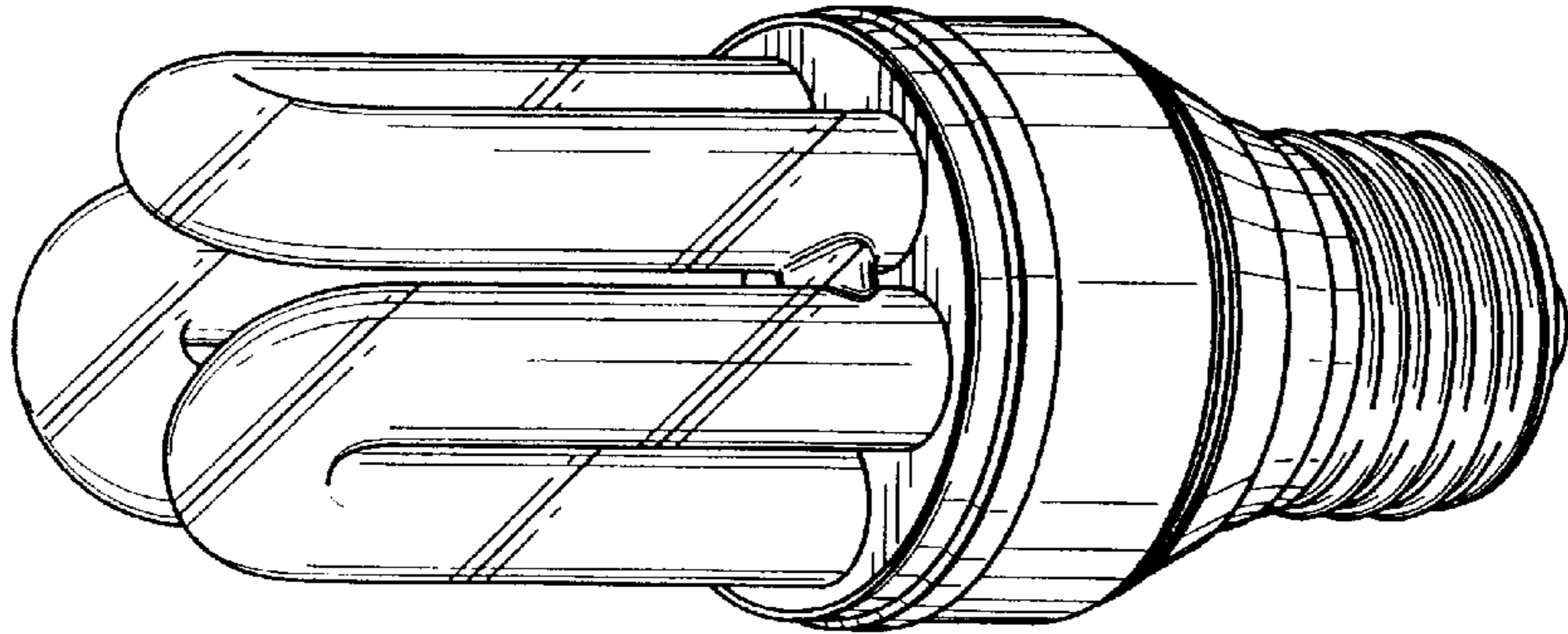


FIG. 2

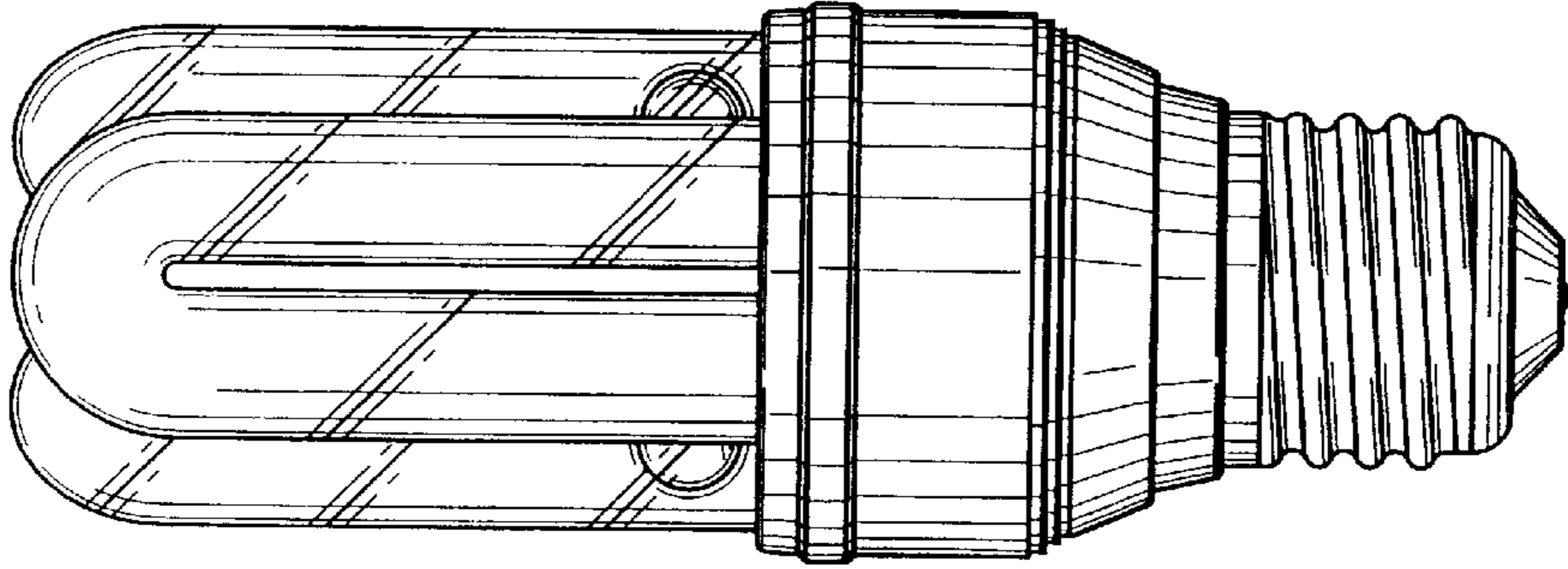
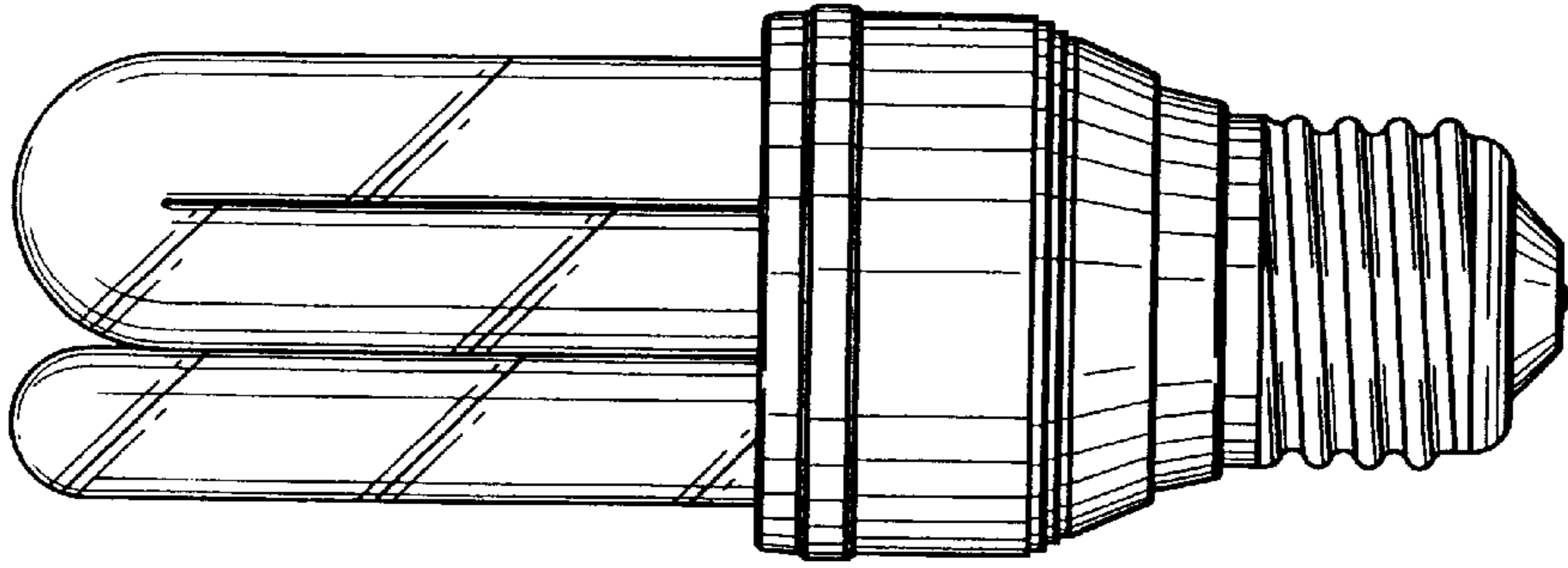
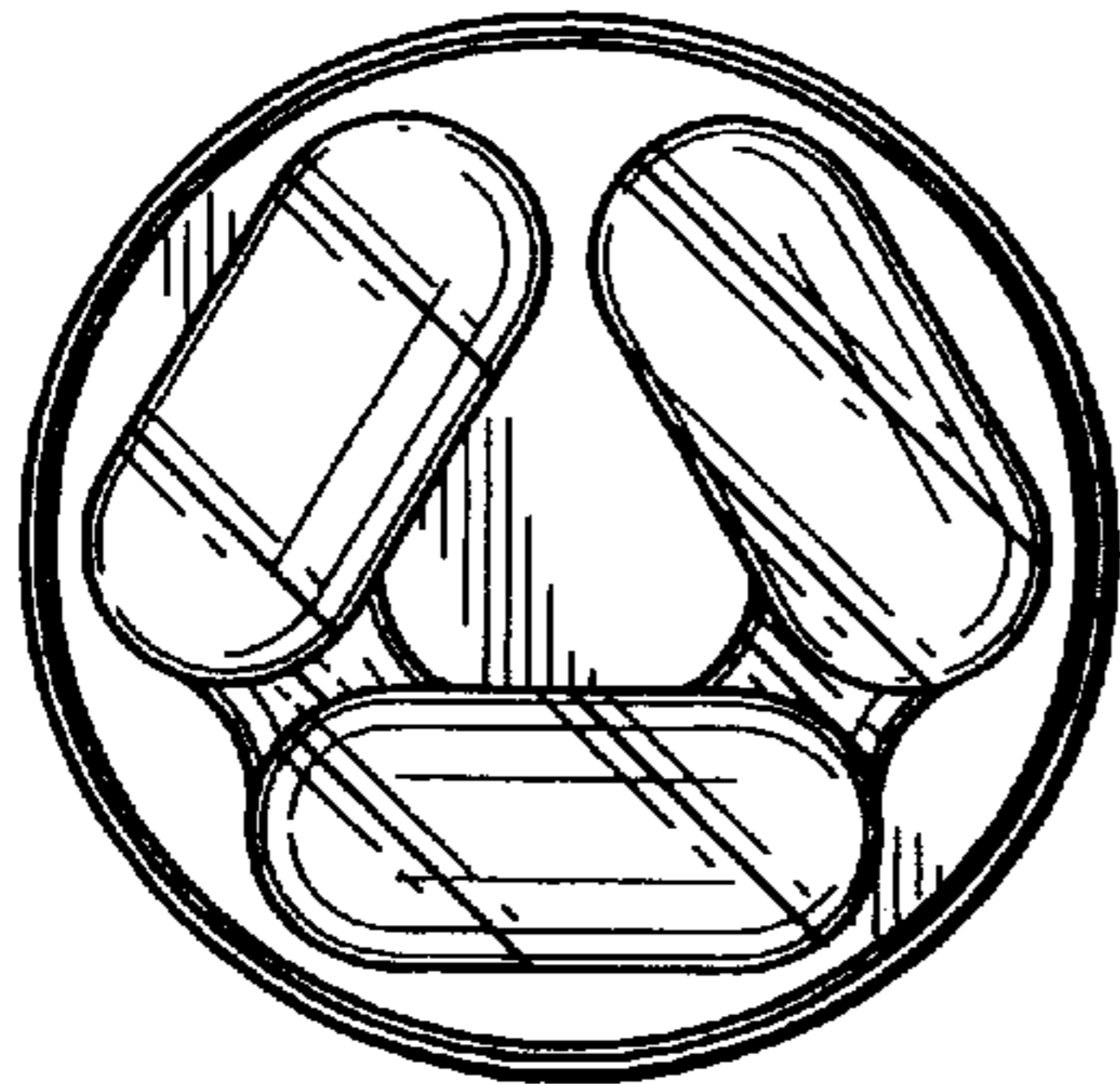


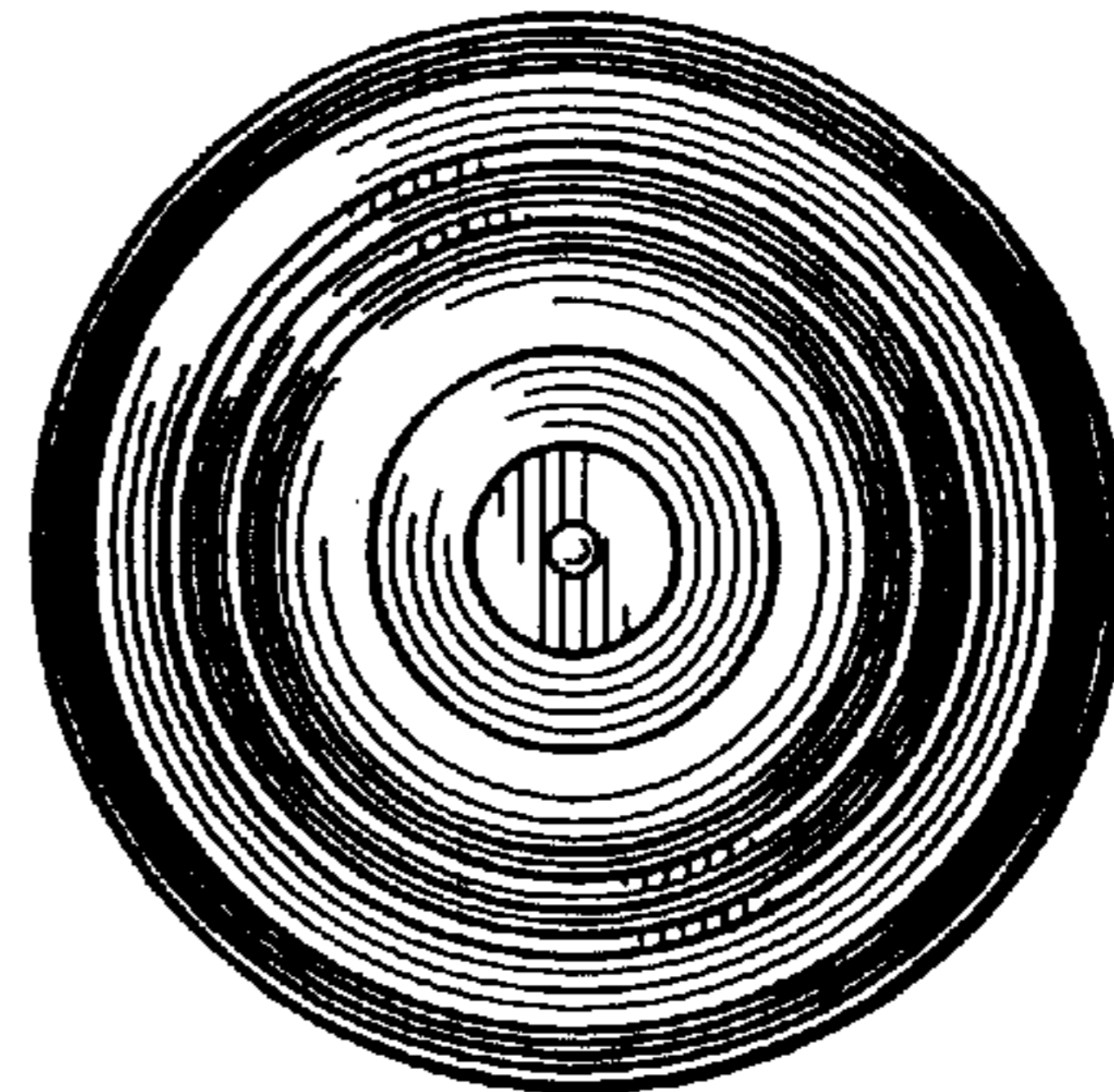
FIG. 3



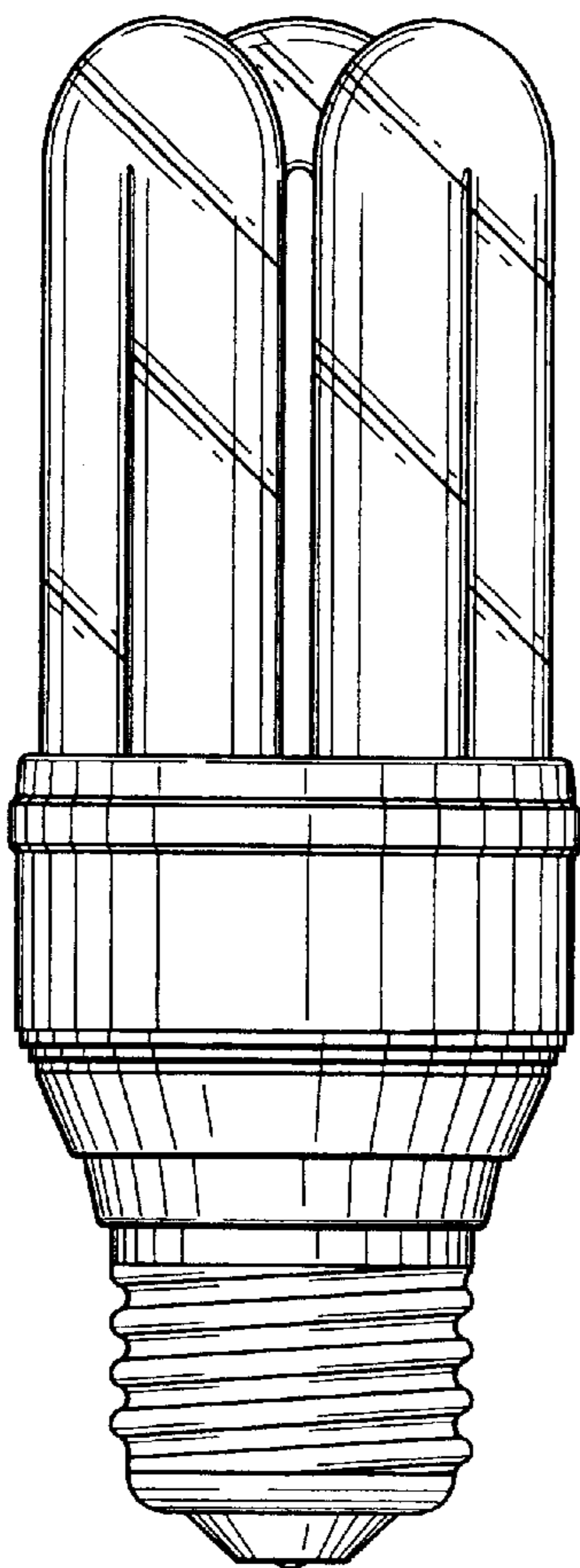
**FIG. 4**



**FIG. 5**



**FIG. 6**



**FIG. 7**

