



US00D422368S

# United States Patent [19]

[11] **Patent Number: Des. 422,368**

Wells

[45] **Date of Patent: \*\* Apr. 4, 2000**

[54] **WIND DIRECTING SEA WALL**

4,784,521 11/1988 Martin et al. .  
5,125,765 6/1992 Verble ..... 405/31

[76] Inventor: **Raymond Wells**, P.O. Box 257, Mayo, Fla. 32066

*Primary Examiner*—Doris Clark  
*Attorney, Agent, or Firm*—Terrance L. Siemens

[\*\*] Term: **14 Years**

[57] **CLAIM**

[21] Appl. No.: **29/083,492**

The ornamental design for a wind directing sea wall, as shown and described.

[22] Filed: **Feb. 11, 1998**

[51] **LOC (6) Cl.** ..... **25-02**

[52] **U.S. Cl.** ..... **D25/58**

[58] **Field of Search** ..... 405/15, 21-22,  
405/30-31; D25/58

**DESCRIPTION**

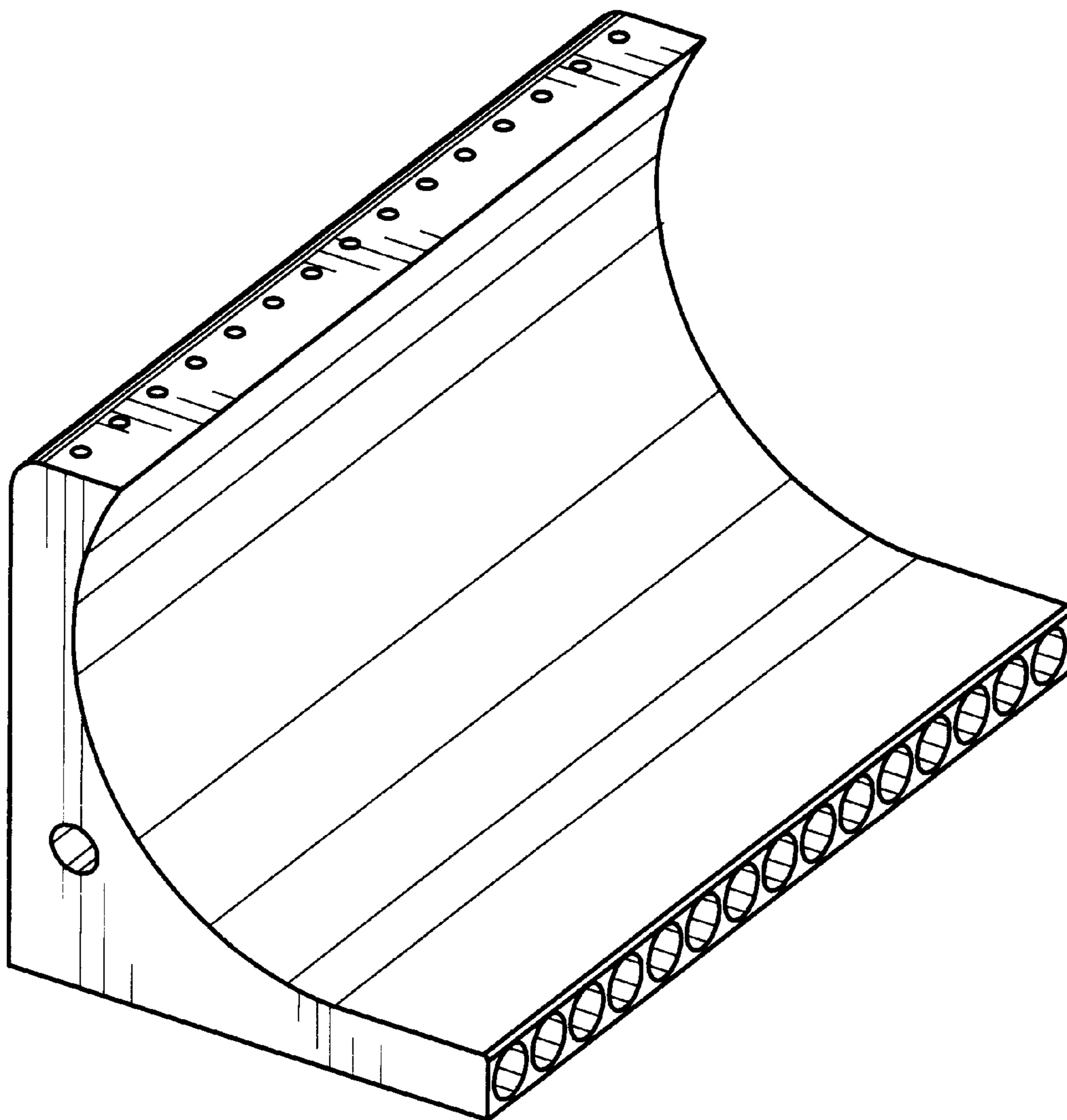
FIG. 1 is a top view of a wind directing sea wall, showing my new design;  
FIG. 2 is a bottom view thereof;  
FIG. 3 is a left side view thereof;  
FIG. 4 is a right side view thereof;  
FIG. 5 front view thereof; and,  
FIG. 6 is a perspective view thereof.

[56] **References Cited**

**U.S. PATENT DOCUMENTS**

D. 298,655 11/1988 Meheen ..... D25/58  
3,490,239 1/1970 Vincent .  
4,666,334 5/1987 Karaus .

**1 Claim, 3 Drawing Sheets**



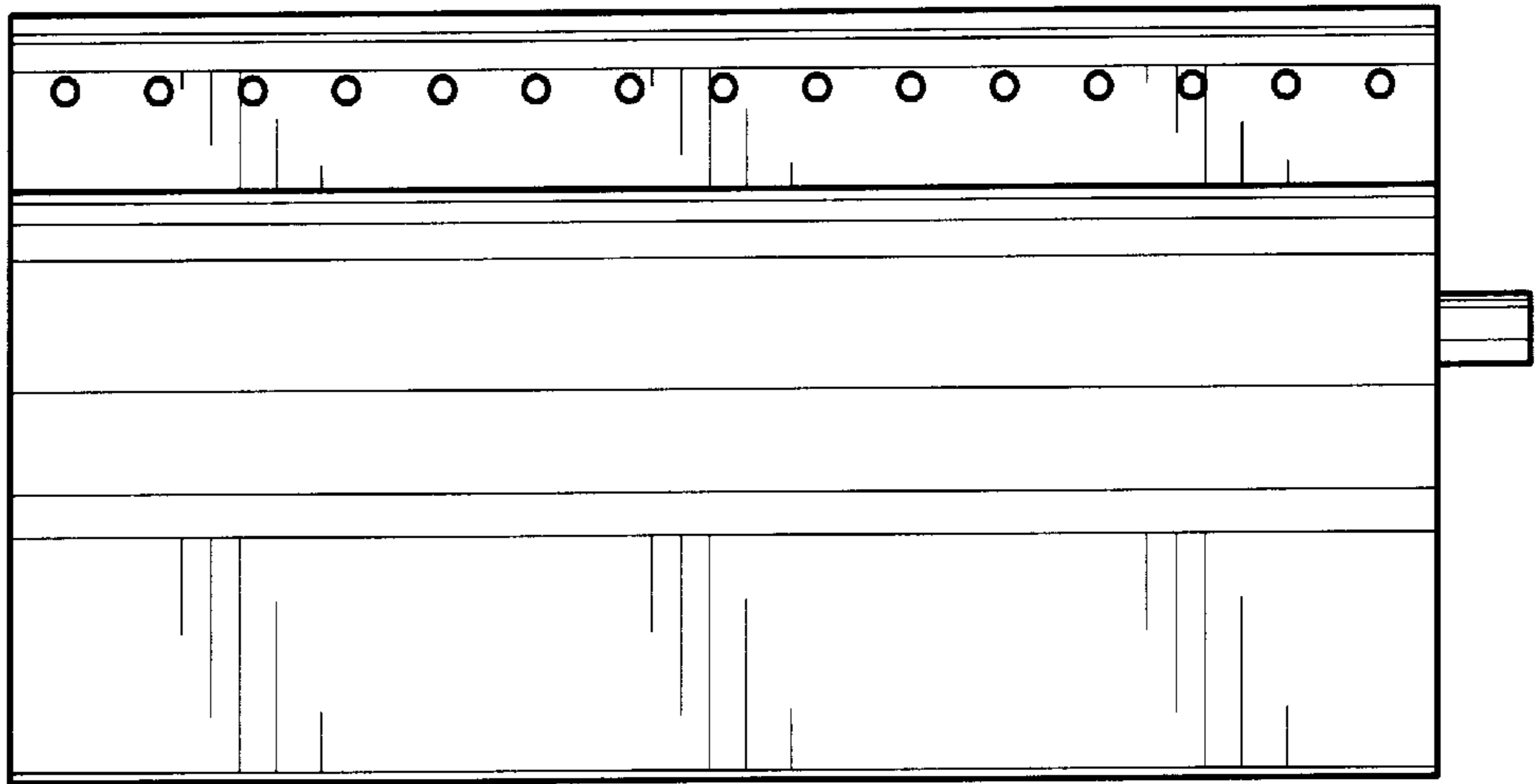


FIG. 1

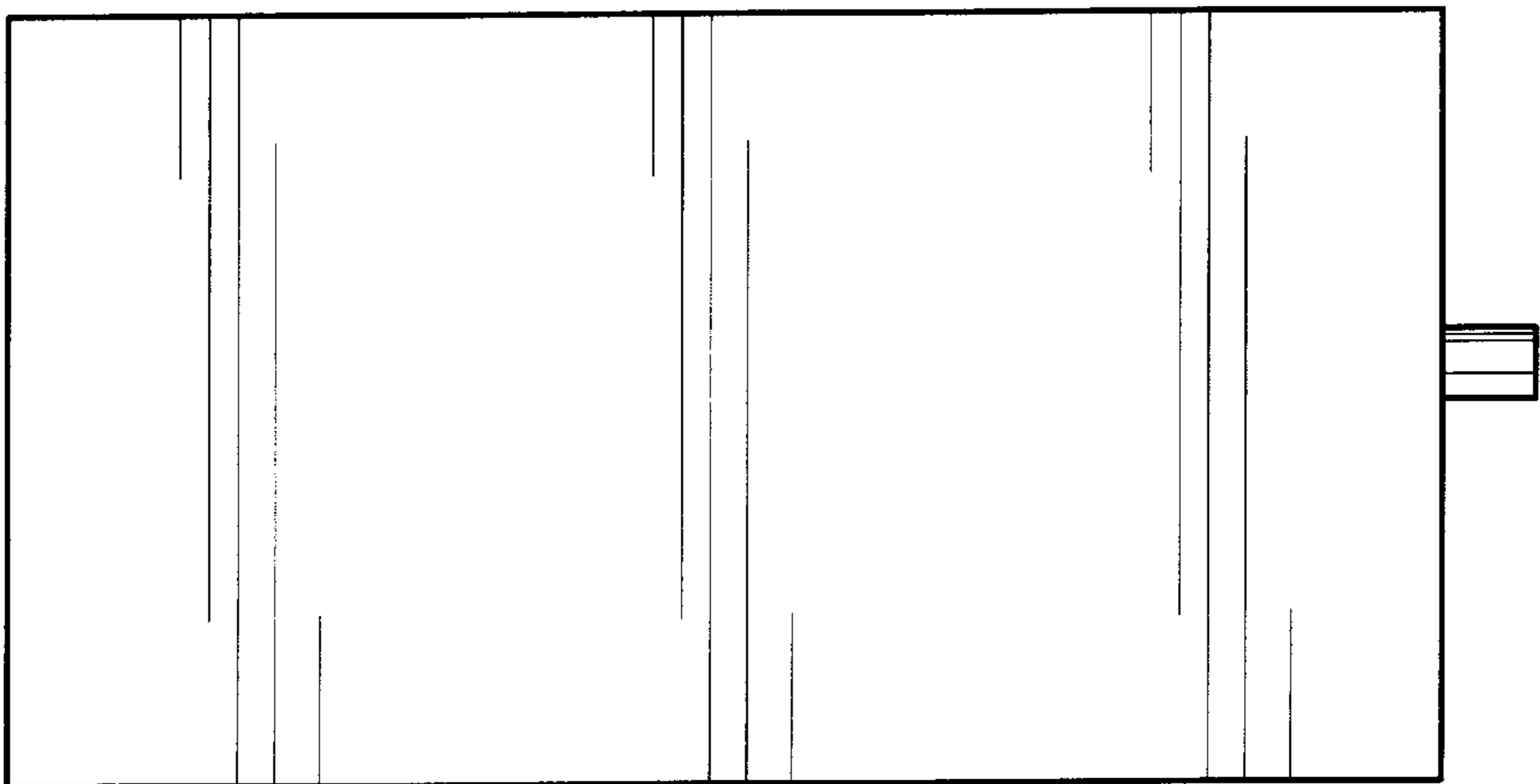


FIG. 2

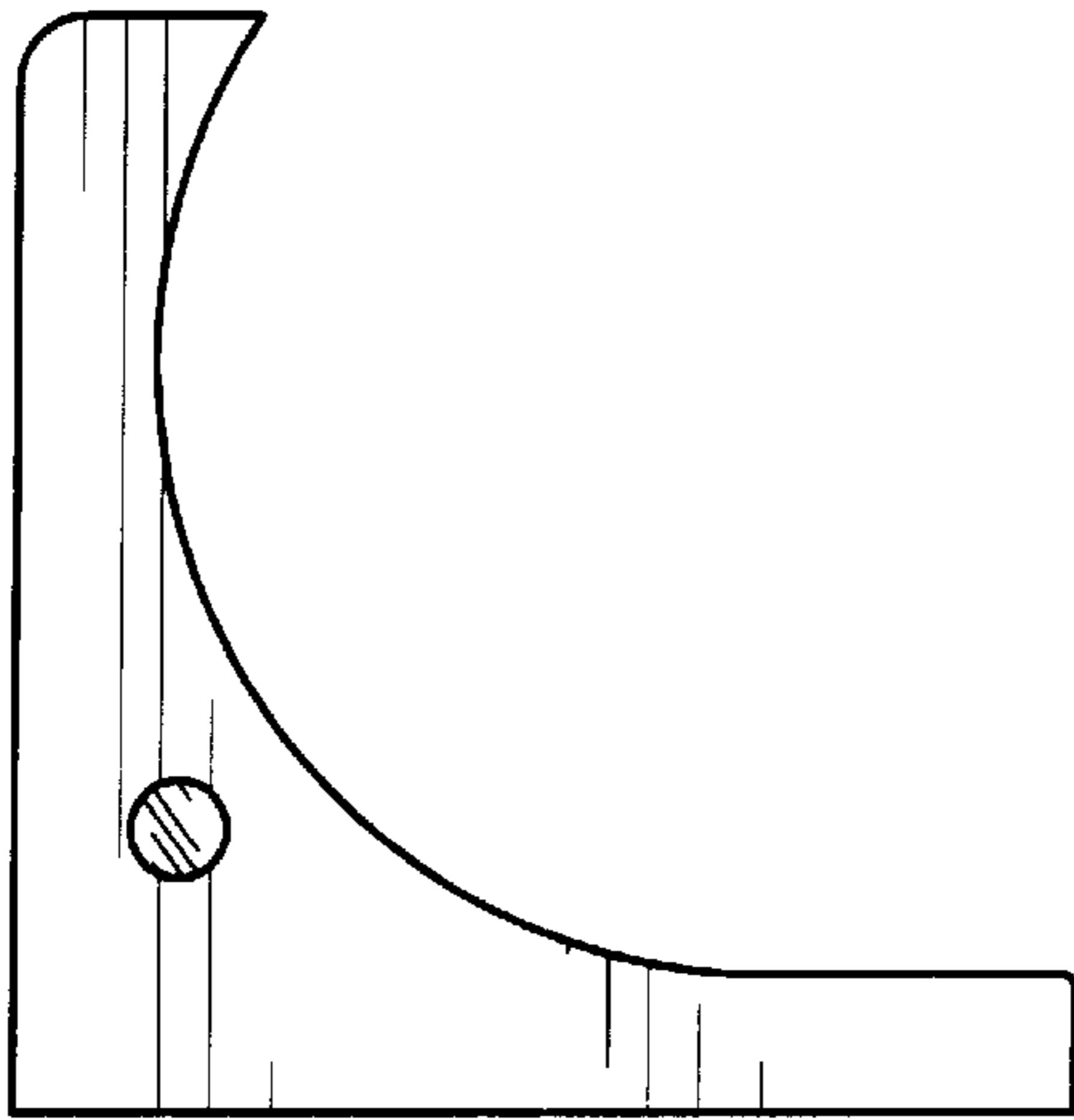


FIG. 3

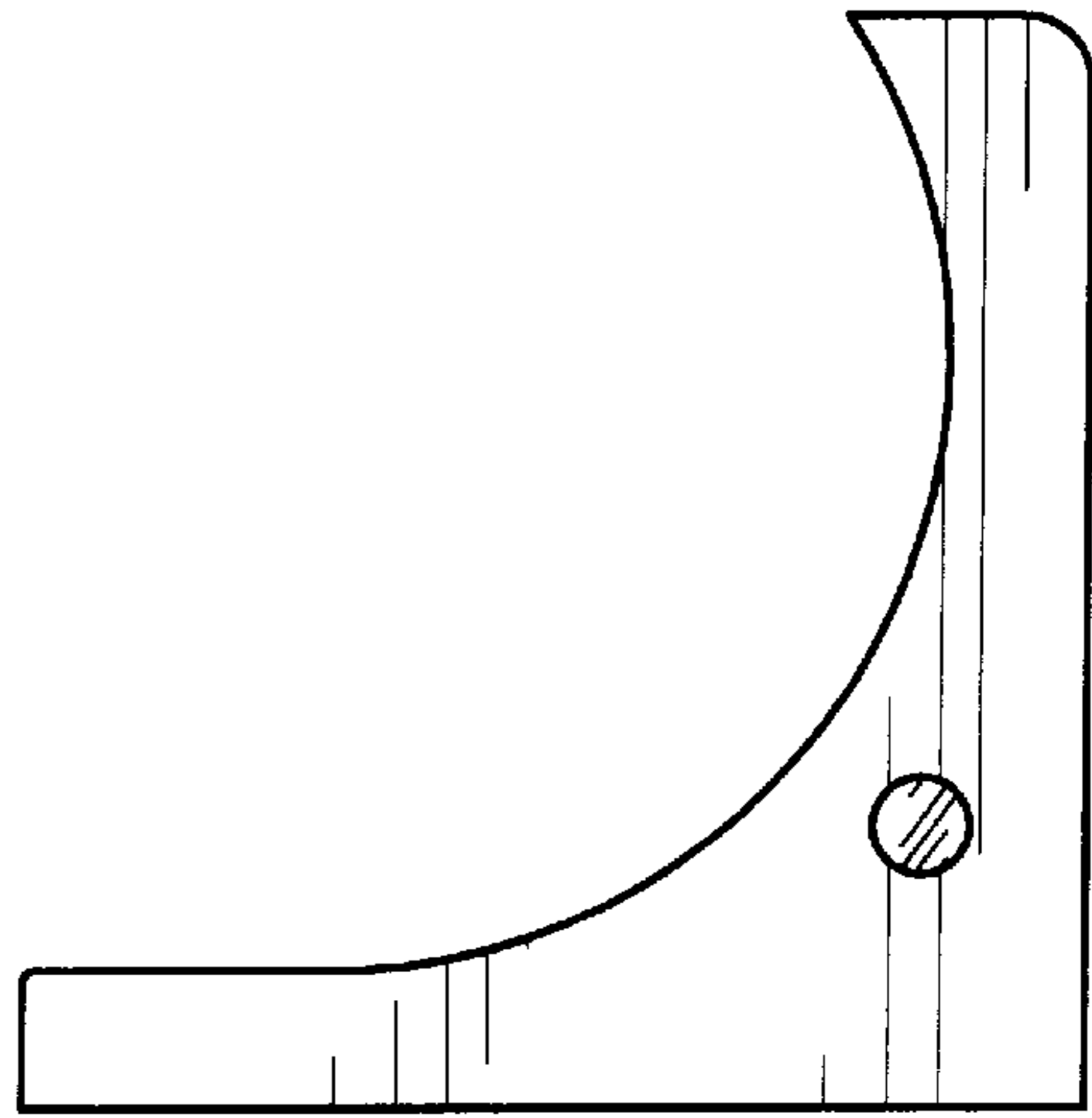


FIG. 4

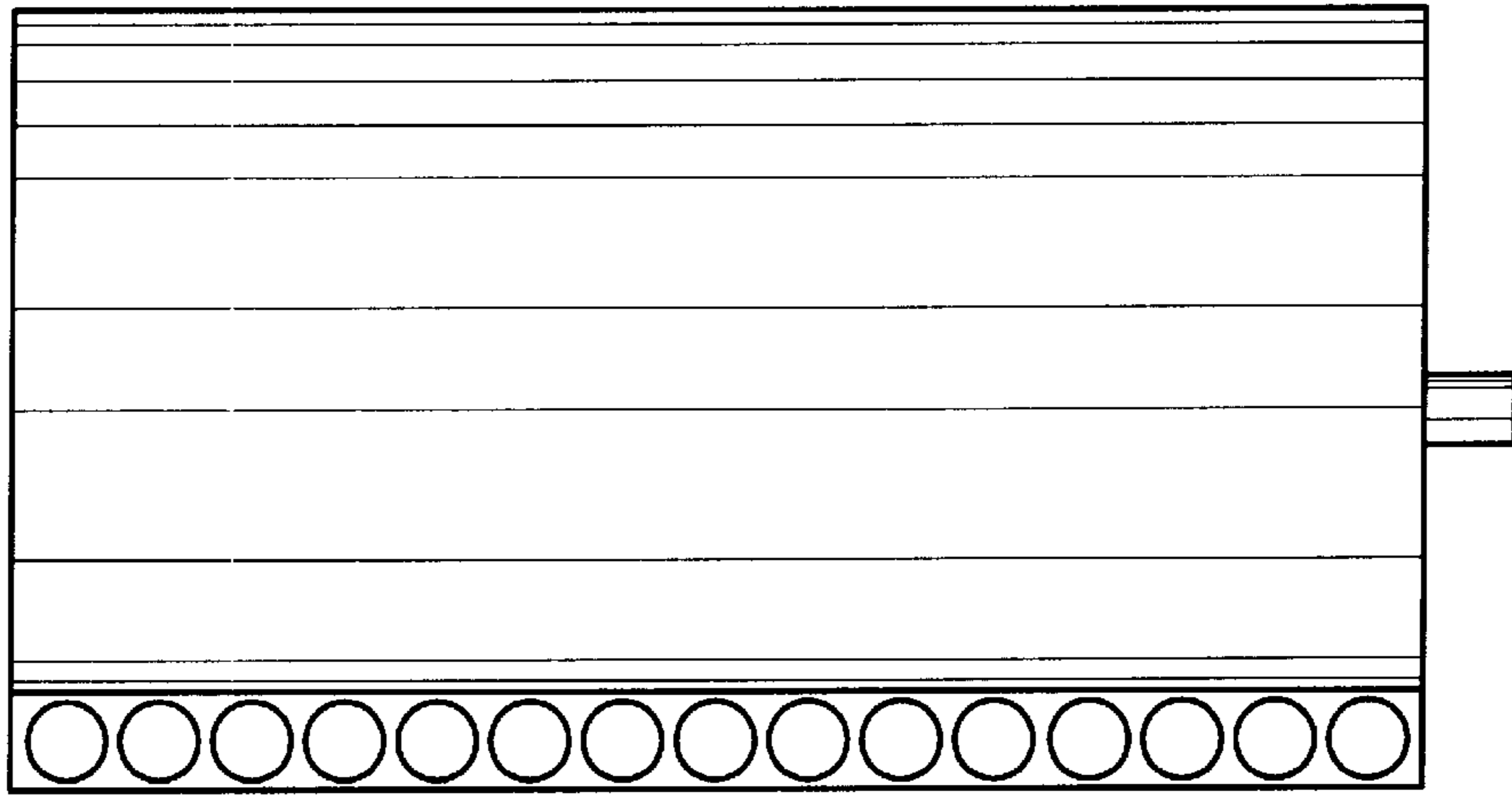


FIG. 5

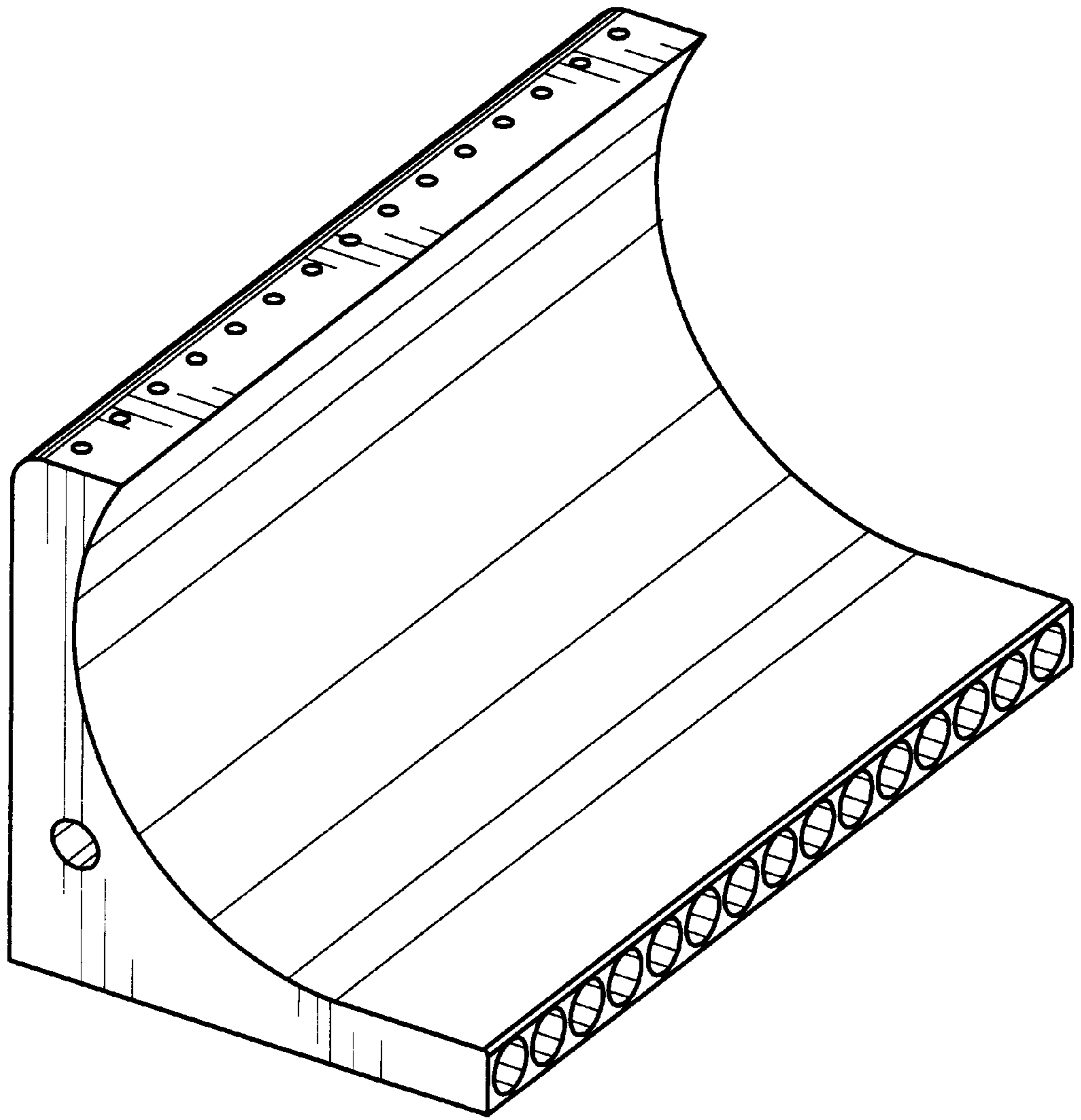


FIG. 6