



US00D422359S

United States Patent [19]

Fitch et al.

[11] Patent Number: **Des. 422,359**

[45] Date of Patent: **** Apr. 4, 2000**

[54] **HAND-HELD MEDICAL DIAGNOSTIC INSTRUMENT HANDLE**

[75] Inventors: **Timothy R. Fitch**, Syracuse; **Peter F. Lynch**; **Scott W. Osiecki**, both of Skaneateles, all of N.Y.

[73] Assignee: **Welch Allyn, Inc.**, Skaneateles Falls, N.Y.

[**] Term: **14 Years**

[21] Appl. No.: **29/091,224**

[22] Filed: **Jul. 24, 1998**

[51] **LOC (6) Cl.** **24-02**

[52] **U.S. Cl.** **D24/137; D24/133**

[58] **Field of Search** D24/137, 138, D24/172, 173; 600/200, 197, 199; 362/183, 294, 572; 320/114

[56] **References Cited**

U.S. PATENT DOCUMENTS

D. 225,584	12/1972	Pilgrim	D24/137	X
D. 225,691	12/1972	Pulos	D24/137	X
D. 288,960	3/1987	Riester	D24/137	
D. 369,409	4/1996	Laun	D24/137	
3,005,090	10/1961	Moore	.		

3,299,884	1/1967	Moore et al.	600/249	
3,698,387	10/1972	Moore et al.	.		
4,006,738	2/1977	Moore et al.	.		
4,147,163	4/1979	Newman et al.	.		
5,177,424	1/1993	Connors	.		
5,542,904	8/1996	Heine et al.	.		
5,733,029	3/1998	Monroe	362/572	
5,885,214	3/1999	Monroe et al.	600/407	

Primary Examiner—Stella Reid
Assistant Examiner—I Simmons
Attorney, Agent, or Firm—Wall Marjama Bilinski & Burr

[57] **CLAIM**

The ornamental design for a hand-held medical diagnostic instrument handle, as shown and described.

DESCRIPTION

FIG. 1 is a perspective view of a hand-held medical diagnostic instrument handle showing our new design; FIG. 2 is a top plan view; FIG. 3 is a bottom plan view; FIG. 4 is a left side elevational view thereof; and, FIG. 5 is a front elevational view thereof. The broken line showing the handle adapter in FIG. 5 is for illustrative purposes only and forms no part of the claimed invention.

1 Claim, 2 Drawing Sheets

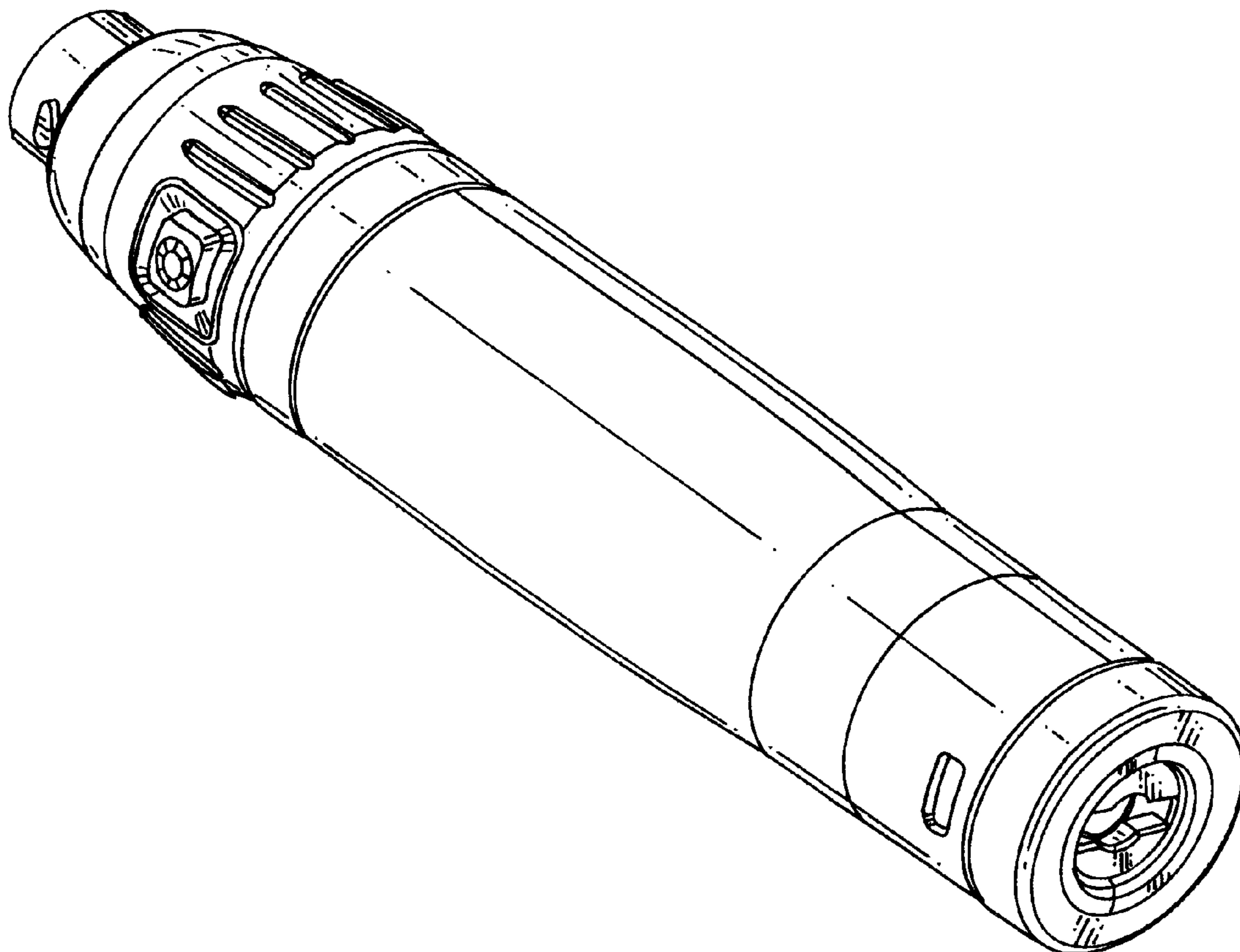


FIG.3

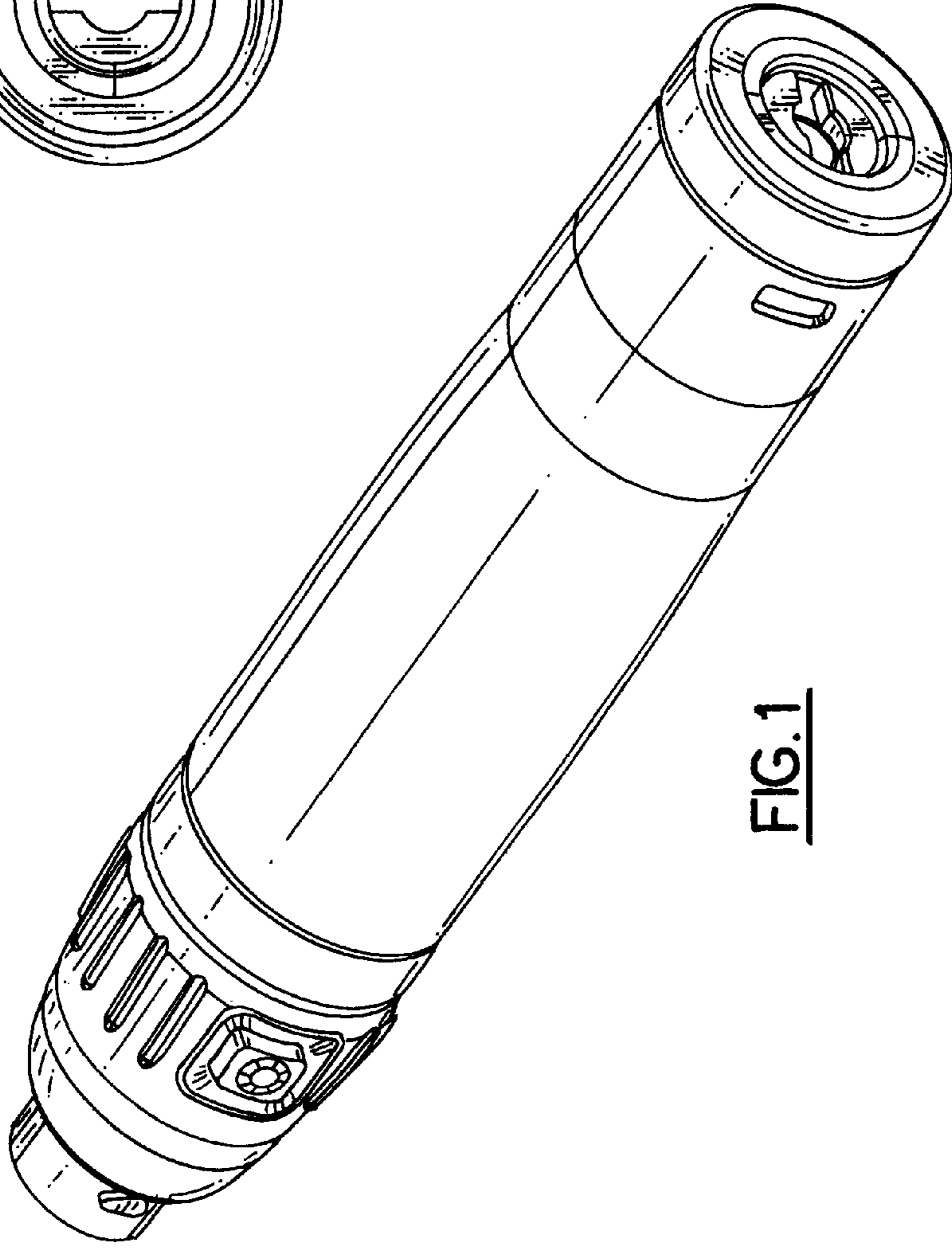
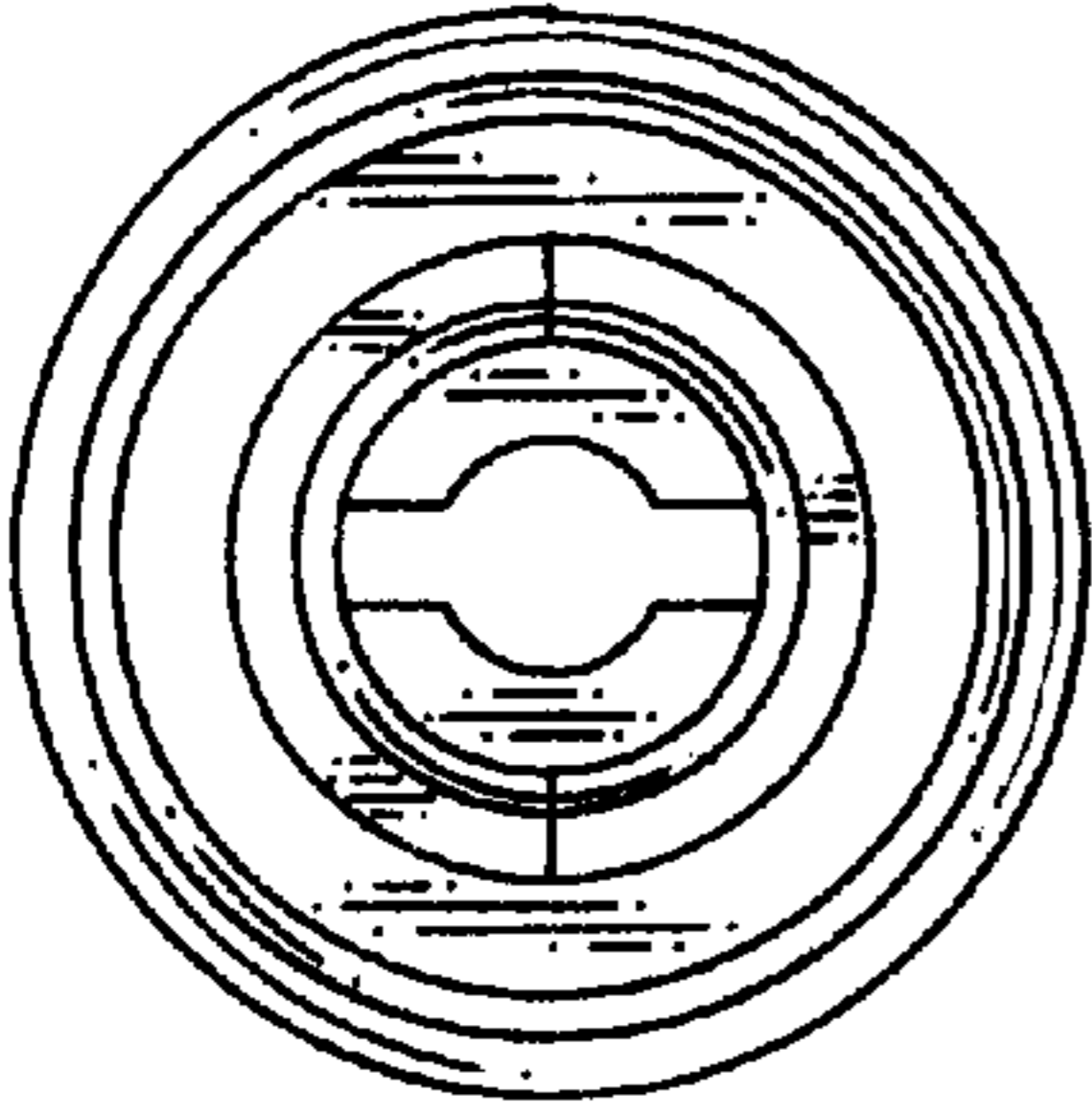


FIG.1

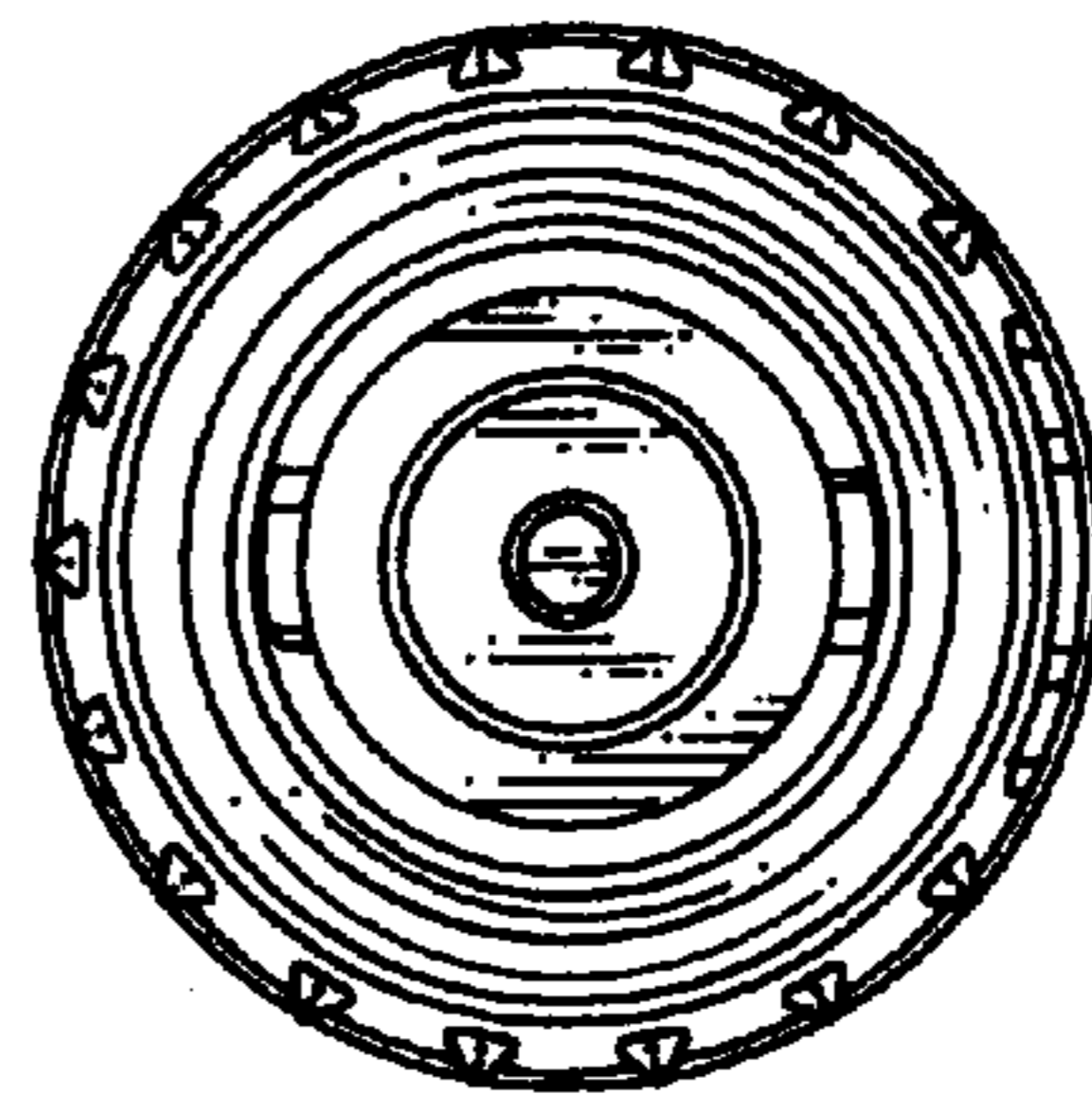


FIG.2

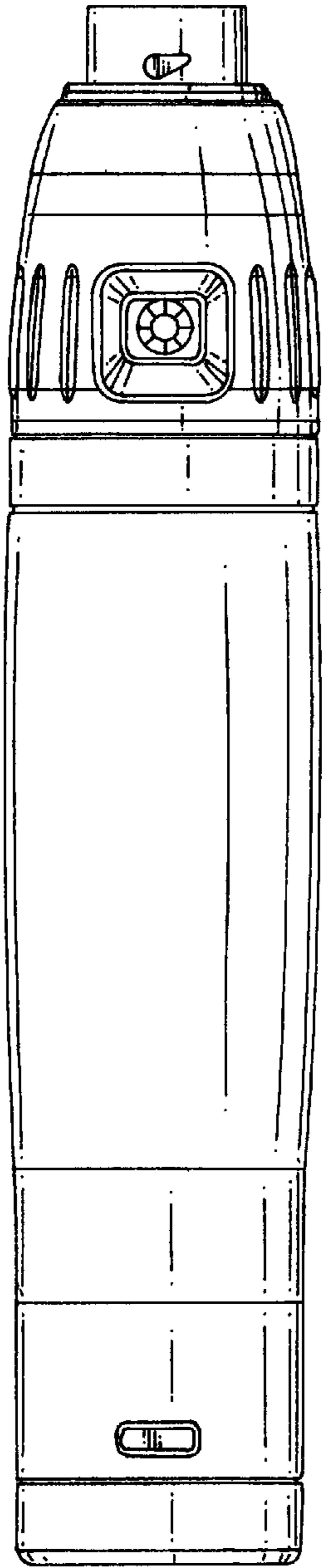


FIG. 4

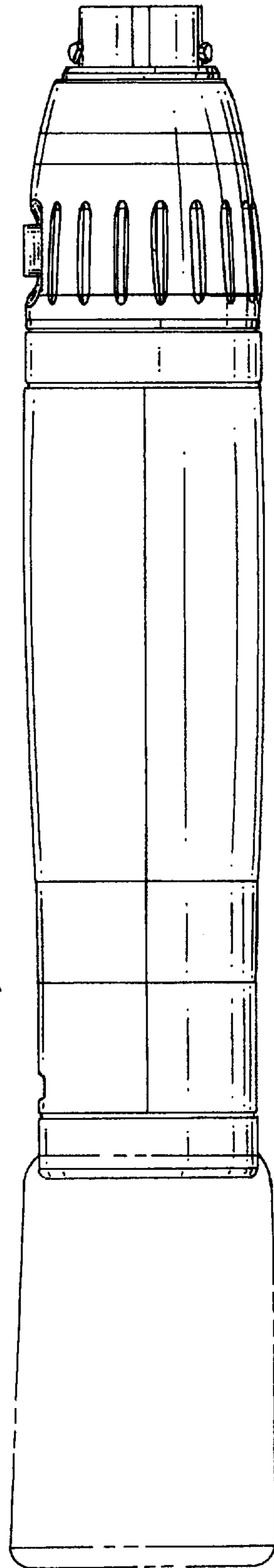


FIG. 5