



US00D422356S

United States Patent [19]

Marano et al.

[11] Patent Number: **Des. 422,356**

[45] Date of Patent: **** Apr. 4, 2000**

[54] **INJECTOR FOR A SUBCUTANEOUS INFUSION SET**

[75] Inventors: **April A. Marano**, Los Angeles; **Jeffrey F. Field**, Northridge; **Jeffery V. Funderburk**, Granada Hills, all of Calif.

[73] Assignee: **MiniMed Inc.**, Sylmar, Calif.

[**] Term: **14 Years**

[21] Appl. No.: **29/069,359**

[22] Filed: **Apr. 7, 1997**

[51] **LOC (6) Cl.** **24-02**

[52] **U.S. Cl.** **D24/114**

[58] **Field of Search** D24/112, 108, D24/111, 114, 130; 604/121, 131, 123, 154, 181, 135, 134

[56] **References Cited**

U.S. PATENT DOCUMENTS

D. 360,462 7/1995 Armbruster et al. D24/114 X

D. 370,974 6/1996 Barresi et al. D24/111
4,978,335 12/1990 Arthur, III D24/111 X
5,795,333 8/1998 Reilly et al. 604/131 X
5,823,998 10/1998 Yamagata 604/131
5,851,197 12/1998 Marano et al. 604/131 X

Primary Examiner—Louis S. Zarfes
Assistant Examiner—I Simmon

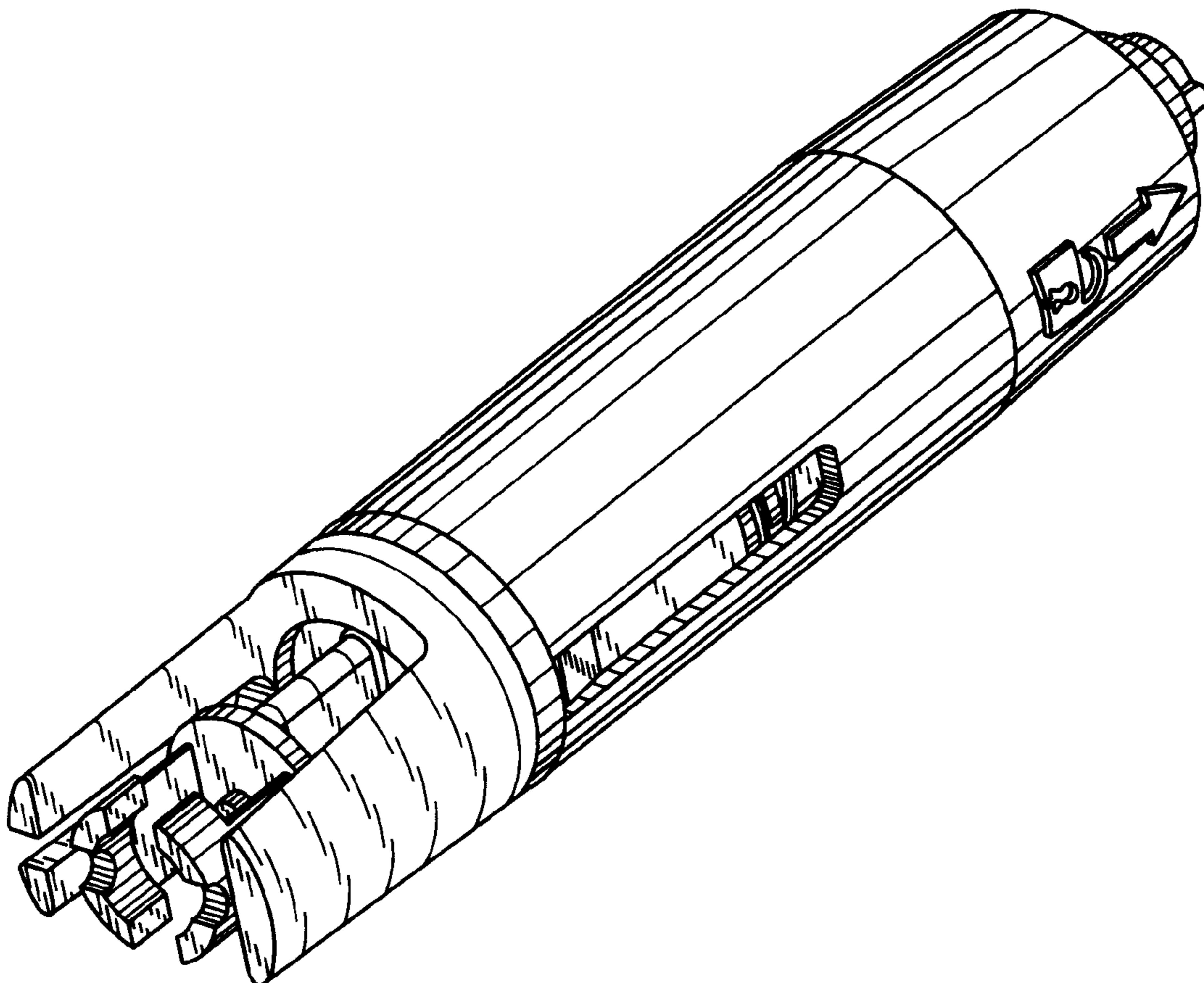
[57] **CLAIM**

The ornamental design for a injector for a subcutaneous infusion set, as shown.

DESCRIPTION

FIG. 1 is a front perspective view showing an injector for a subcutaneous infusion set embodying my new design; FIG. 2 is a front elevational view thereof; FIG. 3 is a rear elevation view thereof; FIG. 4 is a left side elevation view thereof; FIG. 5 is a right side elevation view thereof; FIG. 6 is a top plan view thereof; FIG. 7 is a bottom plan view thereof; and, FIG. 8 is a rear perspective view thereof.

1 Claim, 7 Drawing Sheets



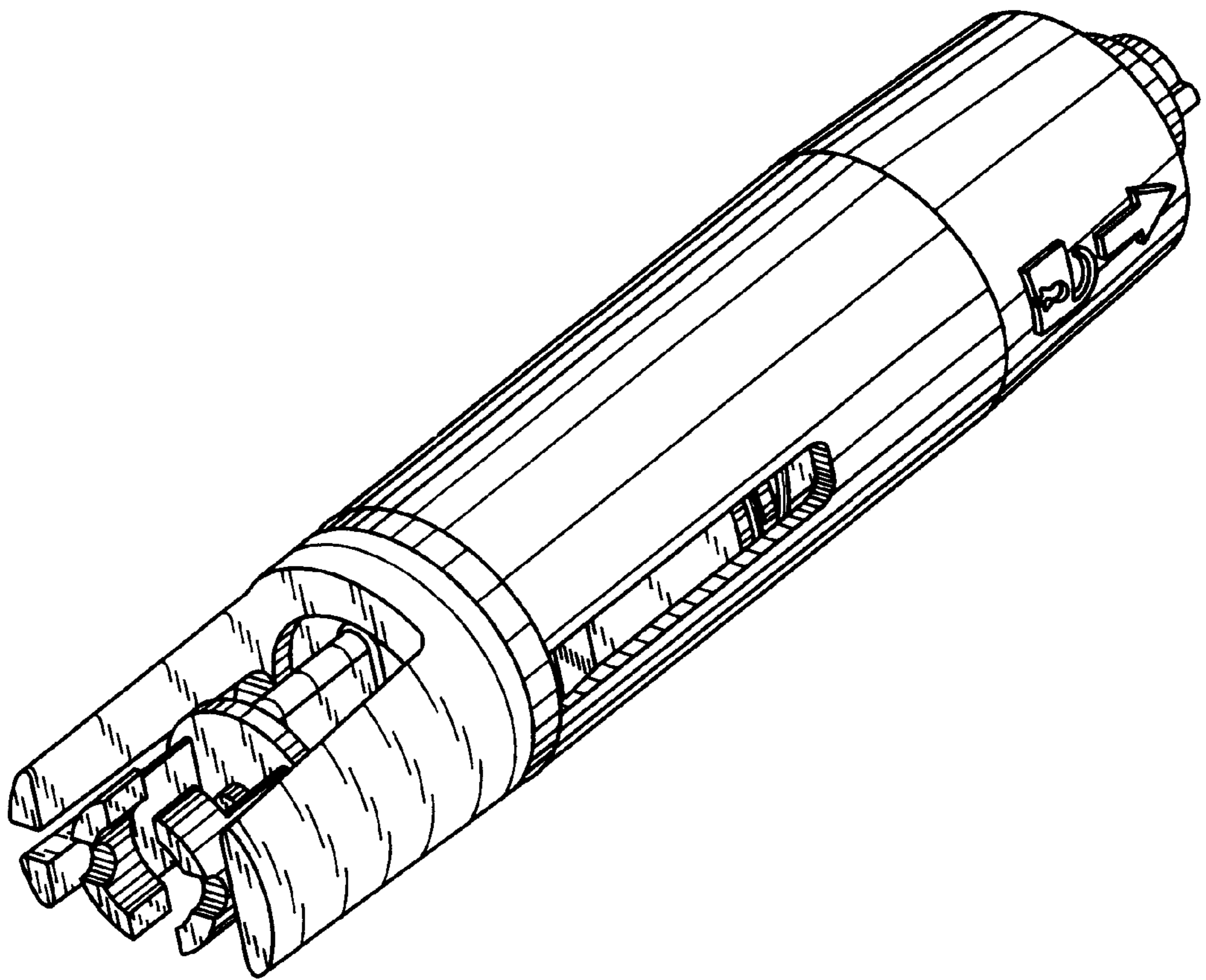


FIG. 1

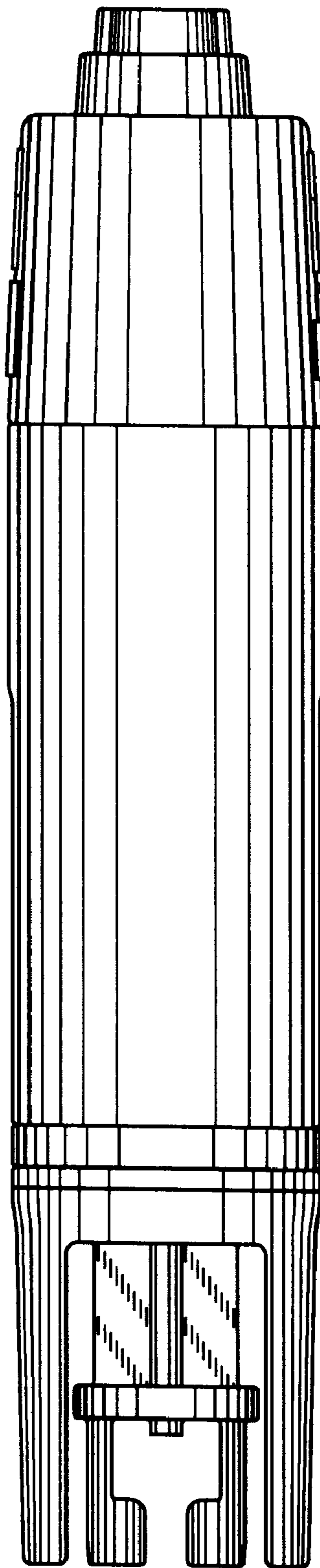


FIG. 2

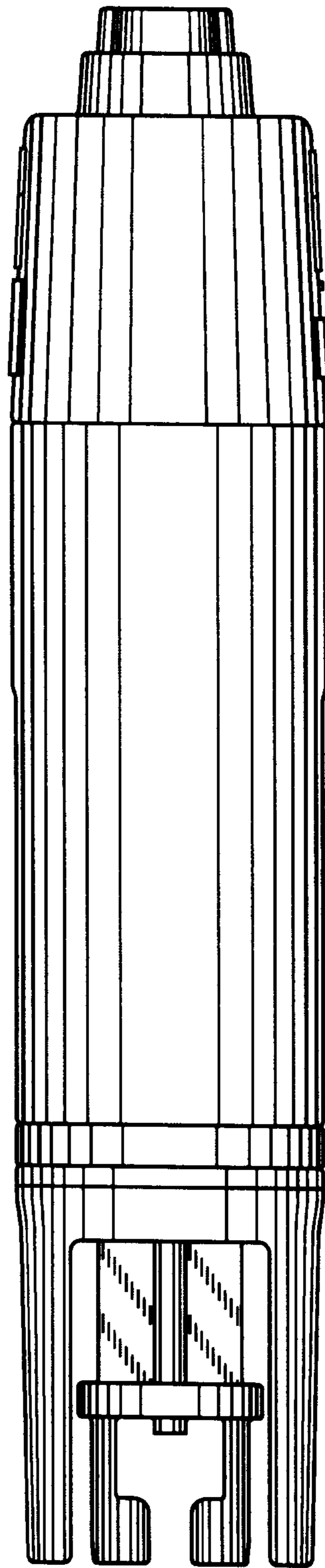


FIG. 3

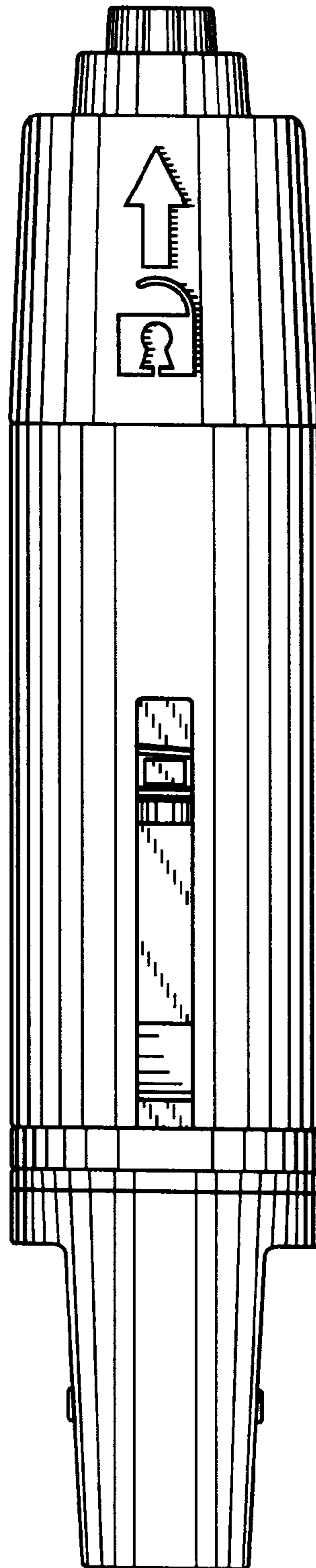


FIG. 4

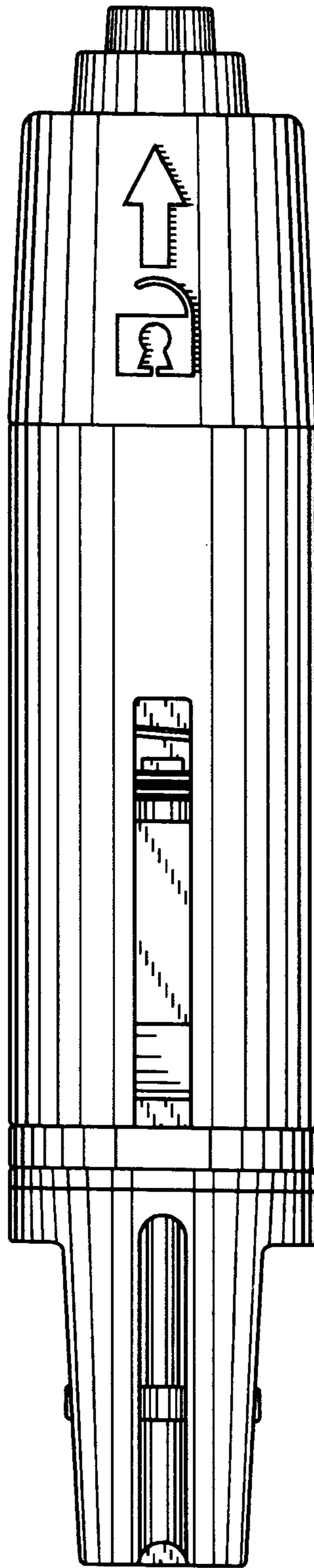


FIG. 5

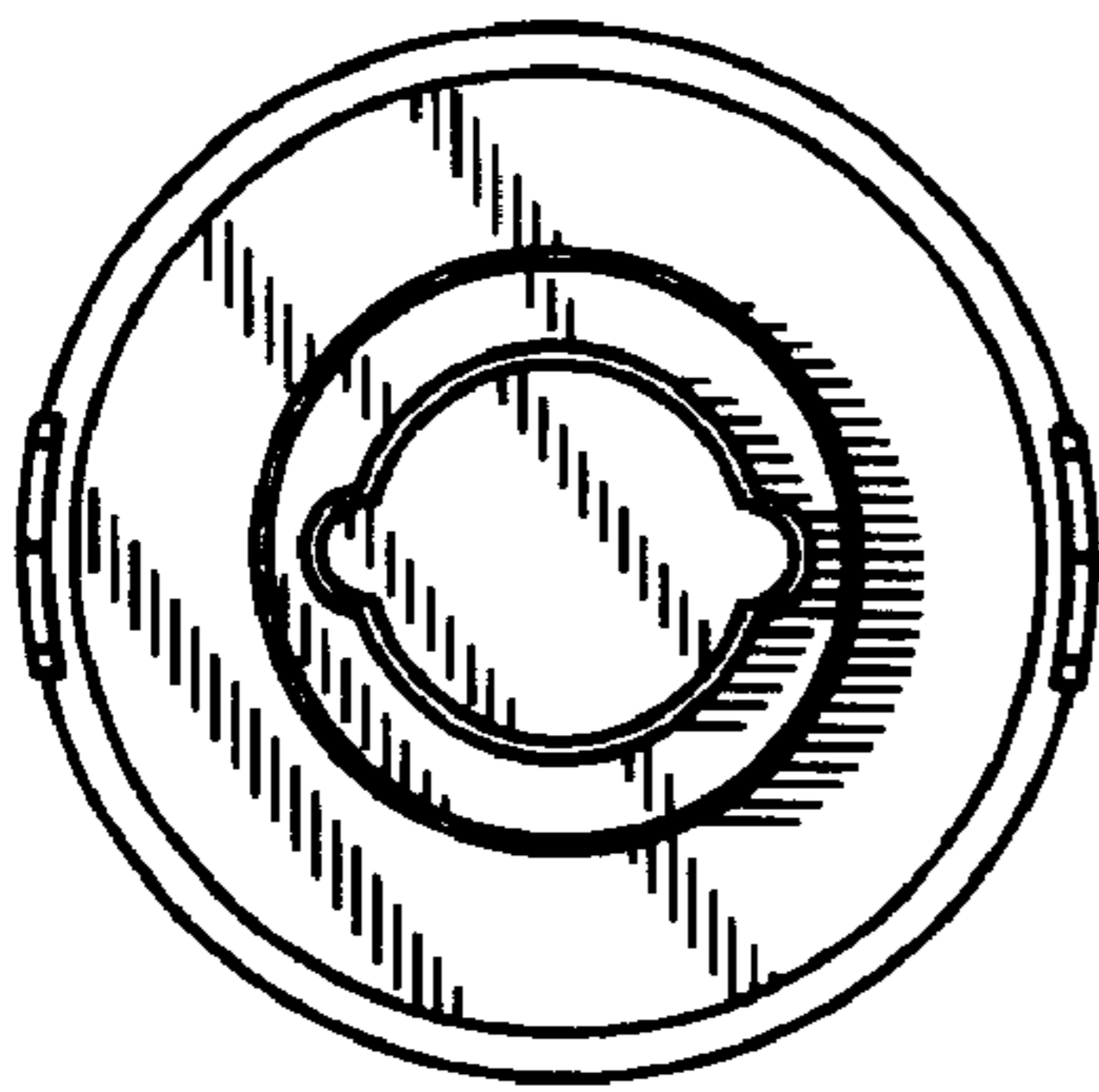


FIG. 6

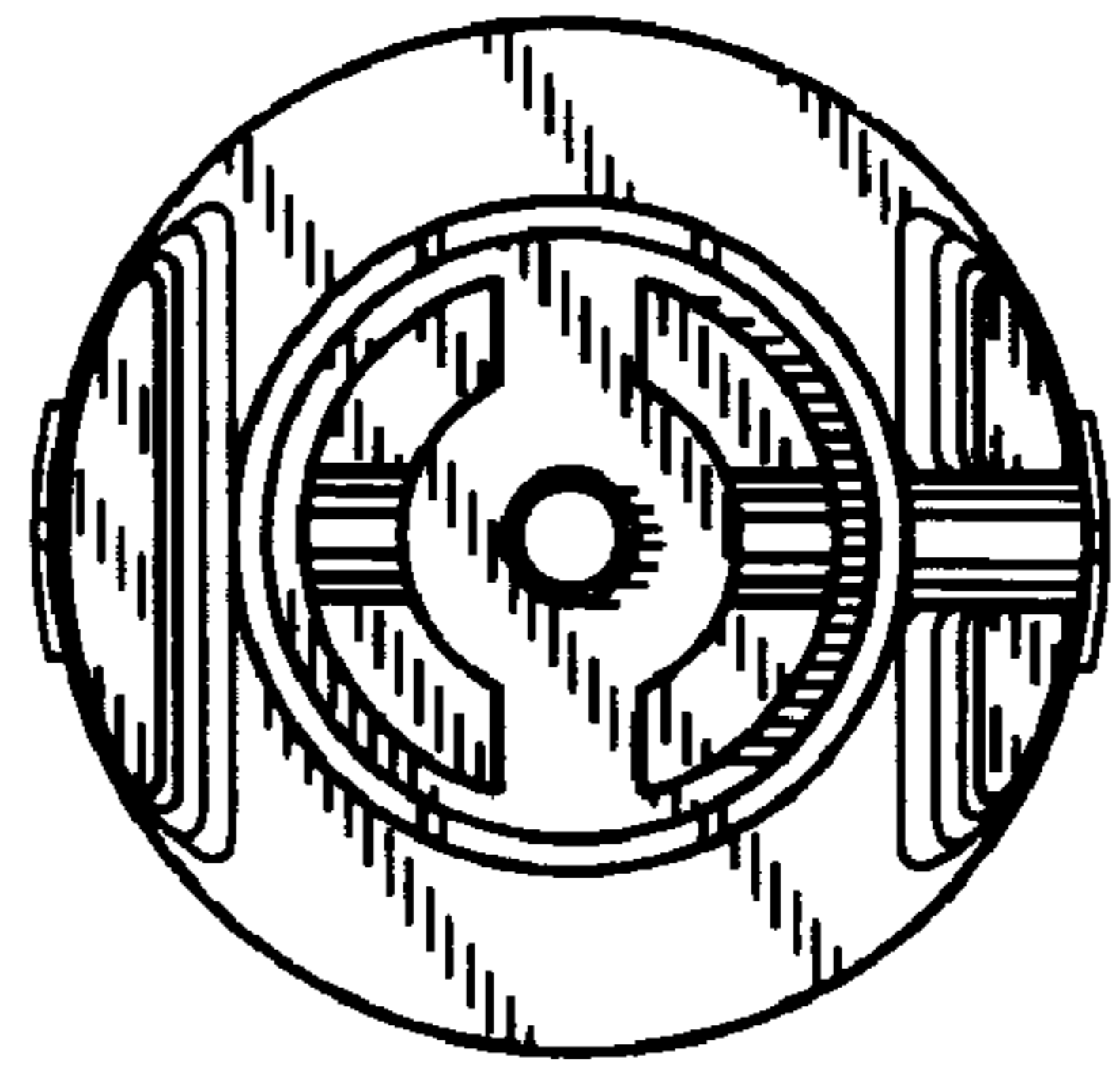


FIG. 7

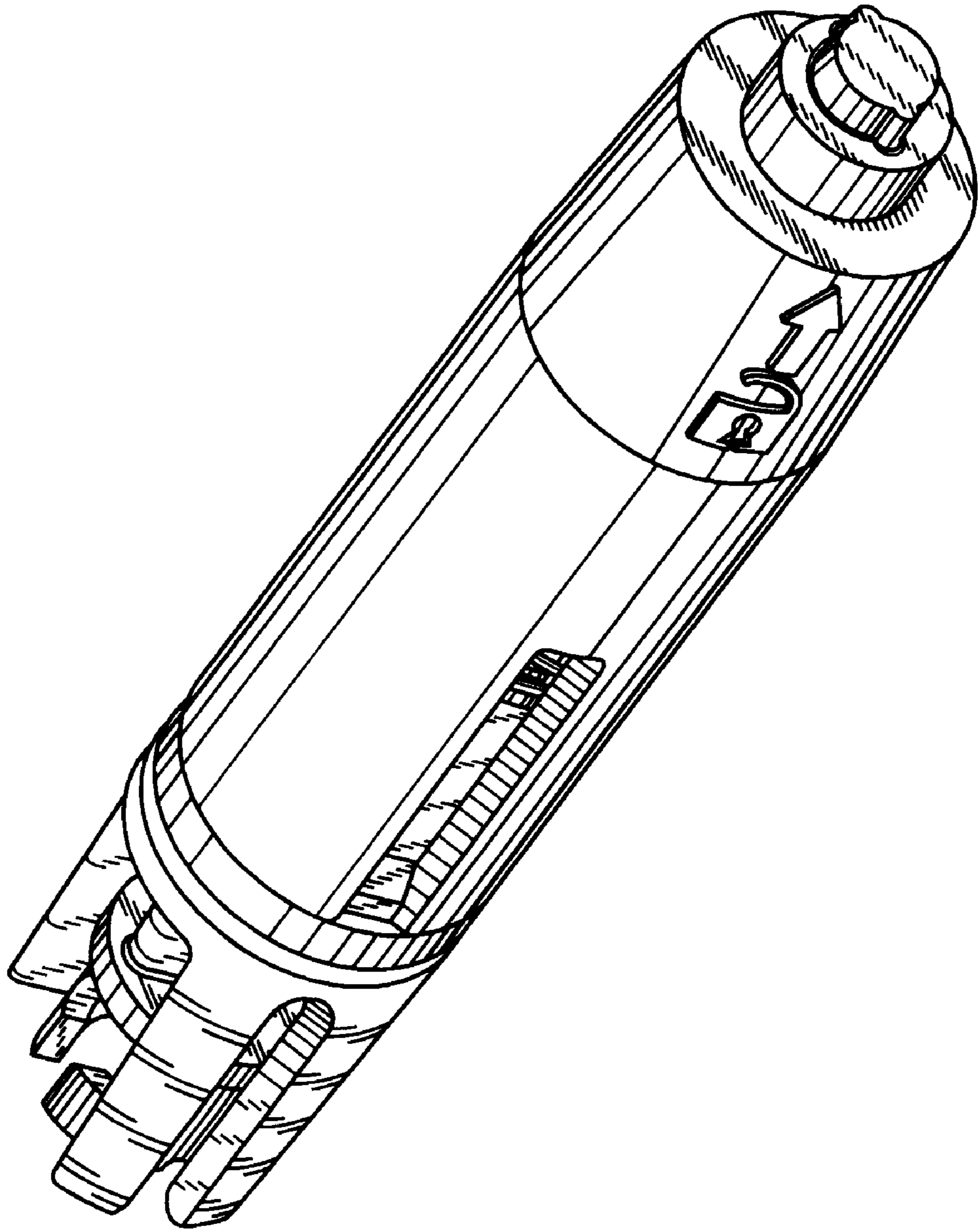


FIG. 8