



US00D422355S

United States Patent [19]

Schuman et al.

[11] Patent Number: Des. 422,355

[45] Date of Patent: ** Apr. 4, 2000

[54] **STACKABLE RESERVOIR**

[75] Inventors: **Robert J. Schuman**, Kings Park, N.Y.; **V. Richard Guilmette**, Scotch Plains, N.J.; **Martin I. Septimus**, Forest Hills, N.Y.; **Richard H. Paschke**, Timonium, Md.; **Eric Ping Pang Chan**; **Jeffrey F. Miller**, both of New York, N.Y.

[73] Assignee: **DENTSPLY Research & Development Corp.**, Milford, Del.

[**] Term: **14 Years**

[21] Appl. No.: **29/060,393**

[22] Filed: **Sep. 27, 1996**

[51] **LOC (6) Cl.** **29-02**

[52] **U.S. Cl.** **D24/111**

[58] **Field of Search** D24/111, 113, D24/133, 152, 153, 154, 176, 177, 178, 179, 180, 181, 182; D23/202, 205; D4/199; D13/107, 108; 433/80-85, 125, 130; 601/142

[56] **References Cited**

U.S. PATENT DOCUMENTS

- D. 206,590 1/1967 Haggstrom et al. .
- D. 216,492 1/1970 Johnson et al. D83/1
- D. 218,241 8/1970 Gilbert et al. D2/1
- D. 220,335 3/1971 Johnson et al. D24/111
- D. 240,668 7/1976 D'Alo .
- D. 277,602 2/1985 Benson et al. .
- D. 337,368 7/1993 Berfield et al. D23/202

- D. 342,231 12/1993 Walker et al. D13/108
- D. 369,656 5/1996 Vos D24/111

Primary Examiner—Susan J. Lucas
Assistant Examiner—Cynthia E. Ramirez
Attorney, Agent, or Firm—Dale R. Lovercheck; James B. Bieber

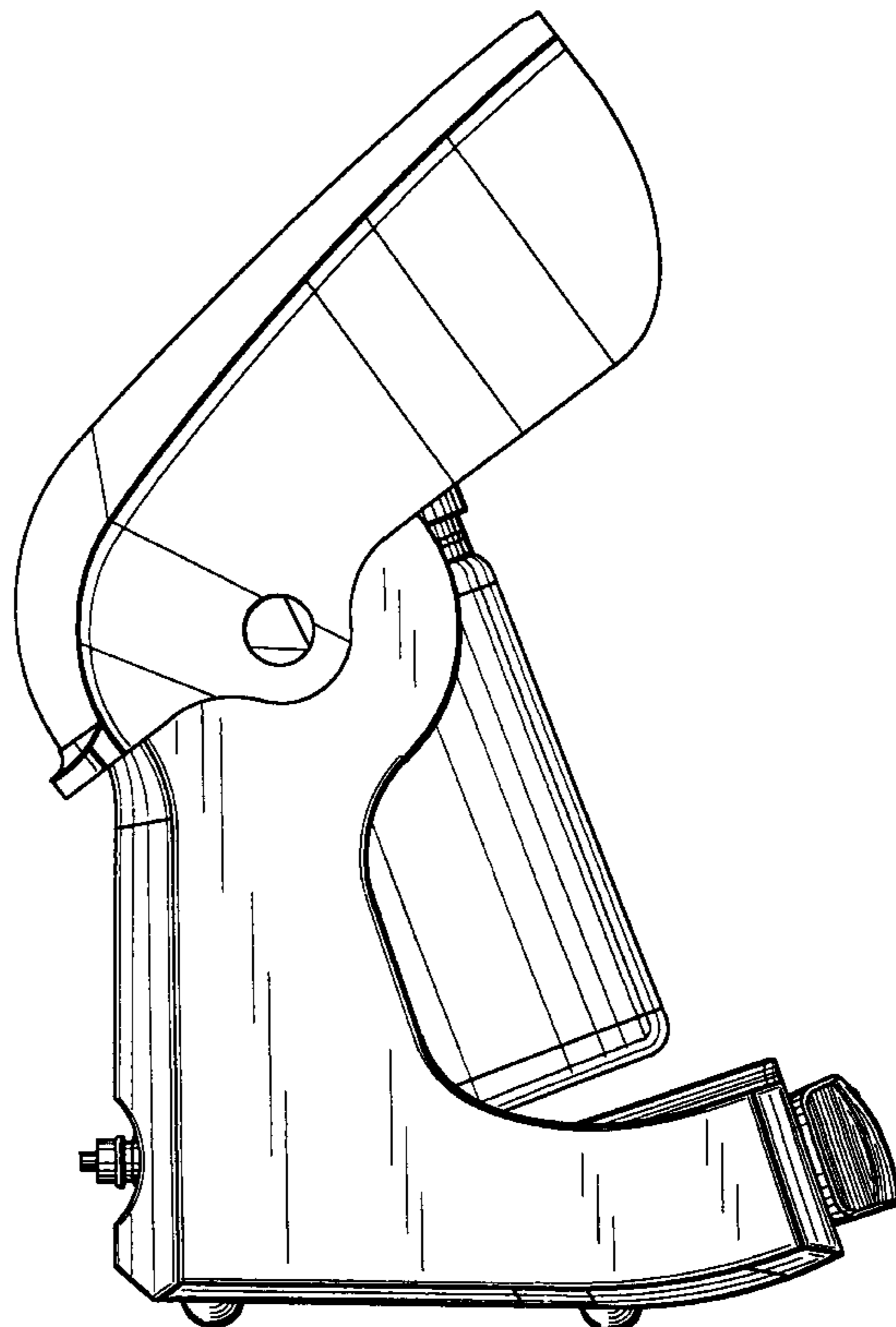
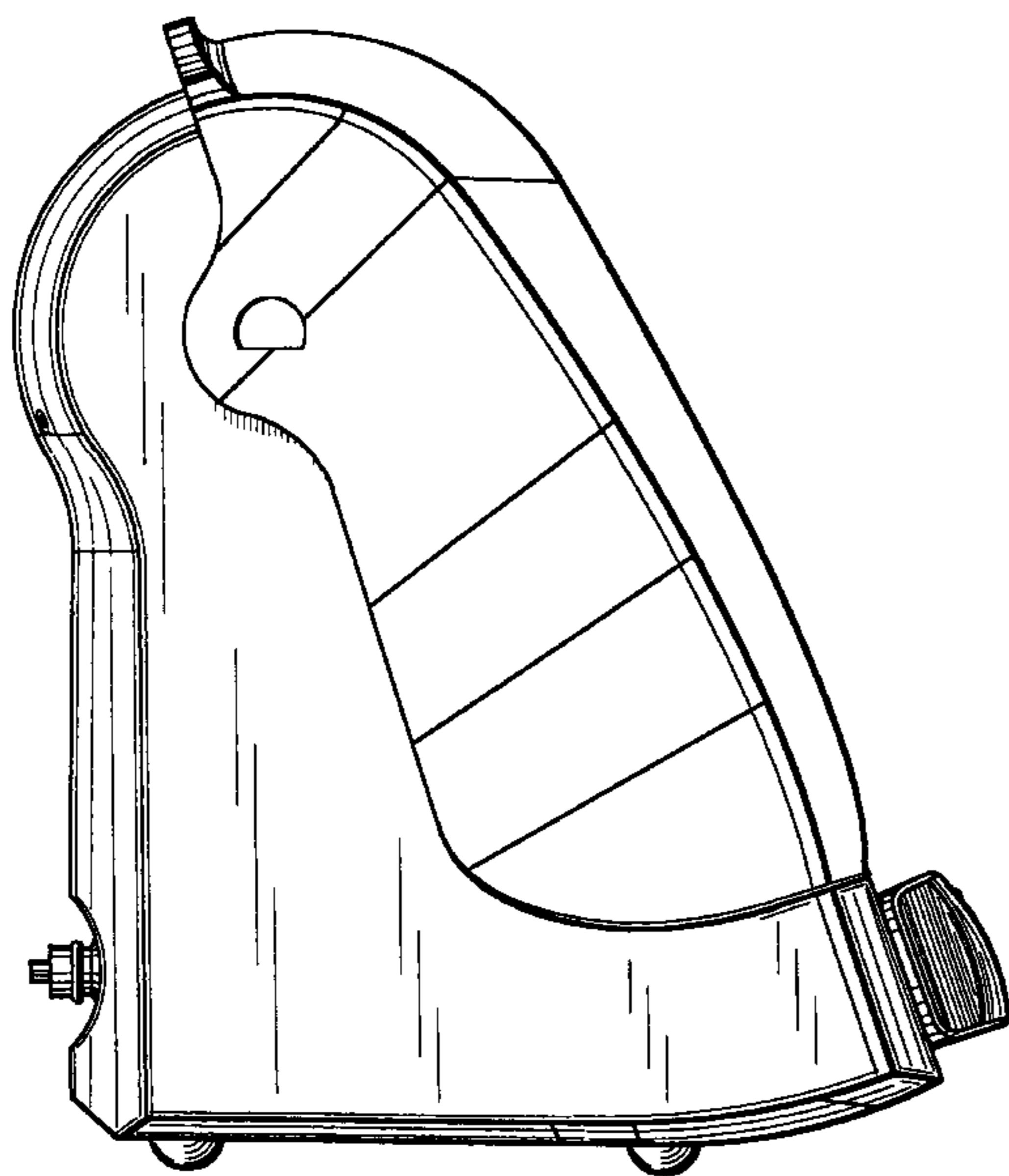
[57] **CLAIM**

The ornamental design for a stackable reservoir, as shown and described.

DESCRIPTION

FIG. 1 is a side view of the stackable reservoir in accordance with the invention.
 FIG. 2 is a front view of the stackable reservoir shown in FIG. 1-9.
 FIG. 3 is a rear view of the stackable reservoir shown in FIGS. 1-9.
 FIG. 4 is a top view of the stackable reservoir shown in FIGS. 1-9.
 FIG. 5 is a bottom view of a stackable reservoir shown in FIGS. 1-9.
 FIG. 6 is a side view of a stackable reservoir shown in FIGS. 1-9 with its lid in open position.
 FIG. 7 is a top view of a stackable reservoir shown in FIGS. 1-9 with its lid in open position.
 FIG. 8 is a front view of a stackable reservoir shown in FIGS. 1-9 with its lid in open position; and,
 FIG. 9 is a rear view of the stackable reservoir shown in FIGS. 1-9 with its lid in open position.

1 Claim, 9 Drawing Sheets



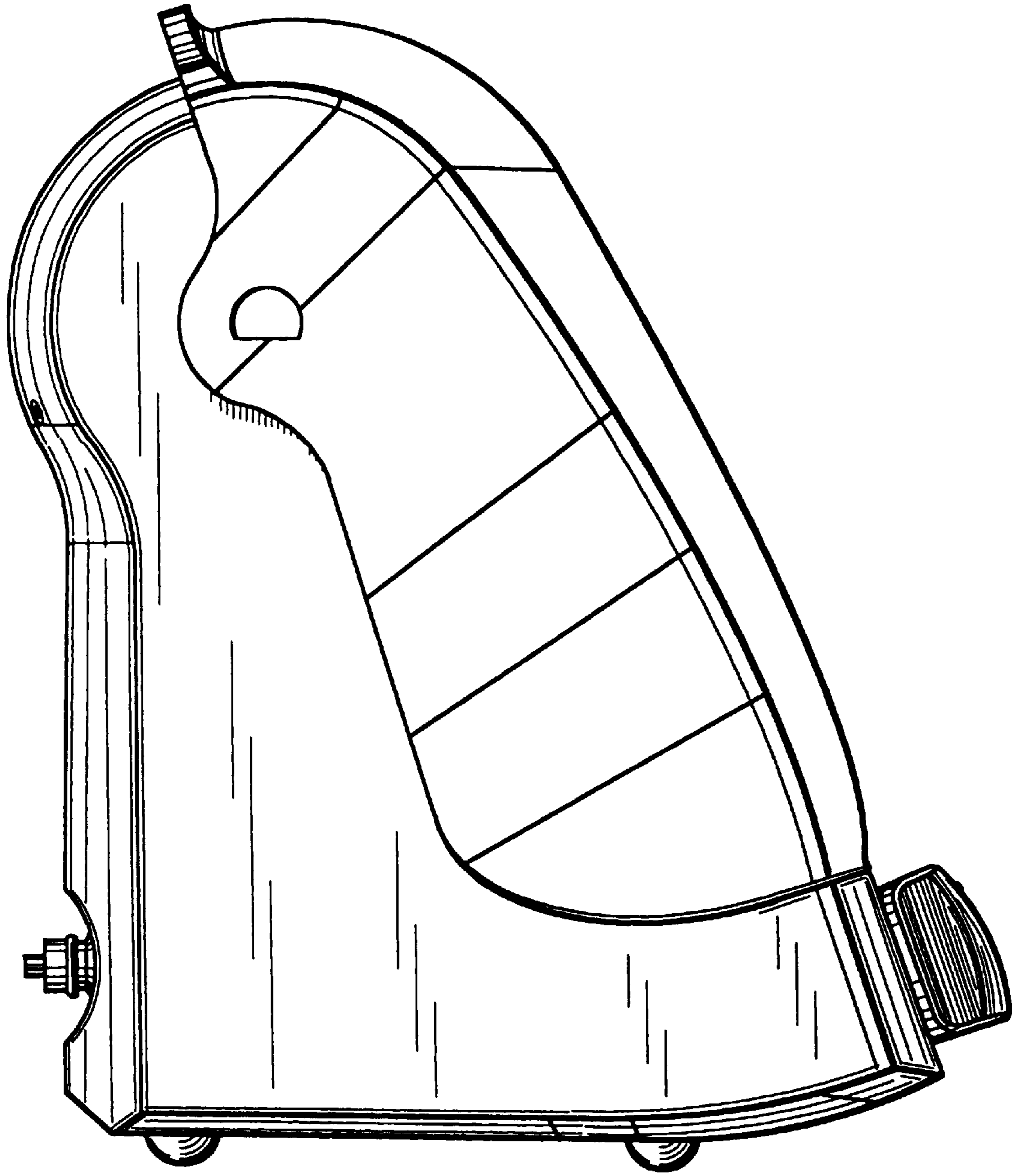


Fig-1

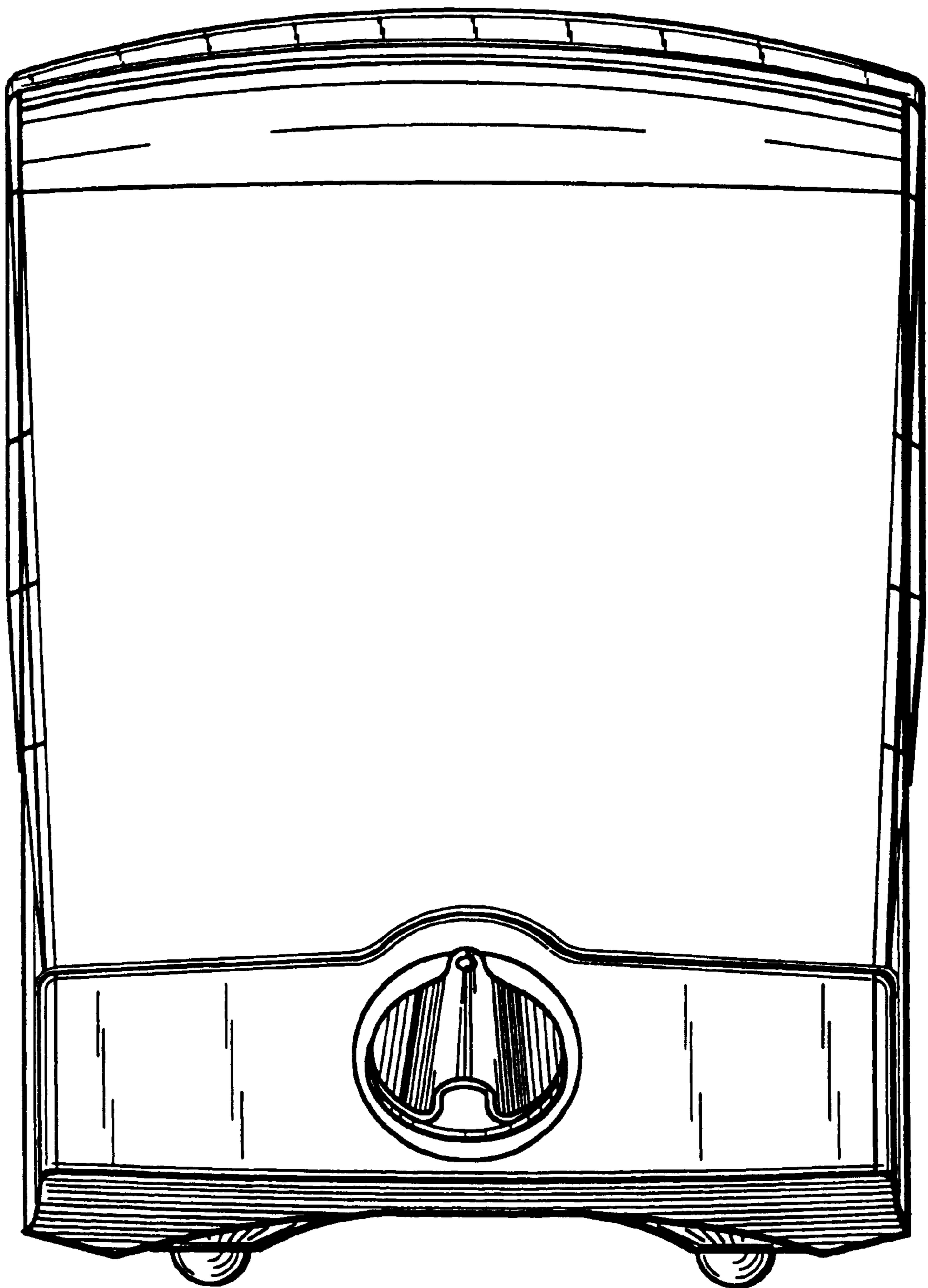


Fig-2

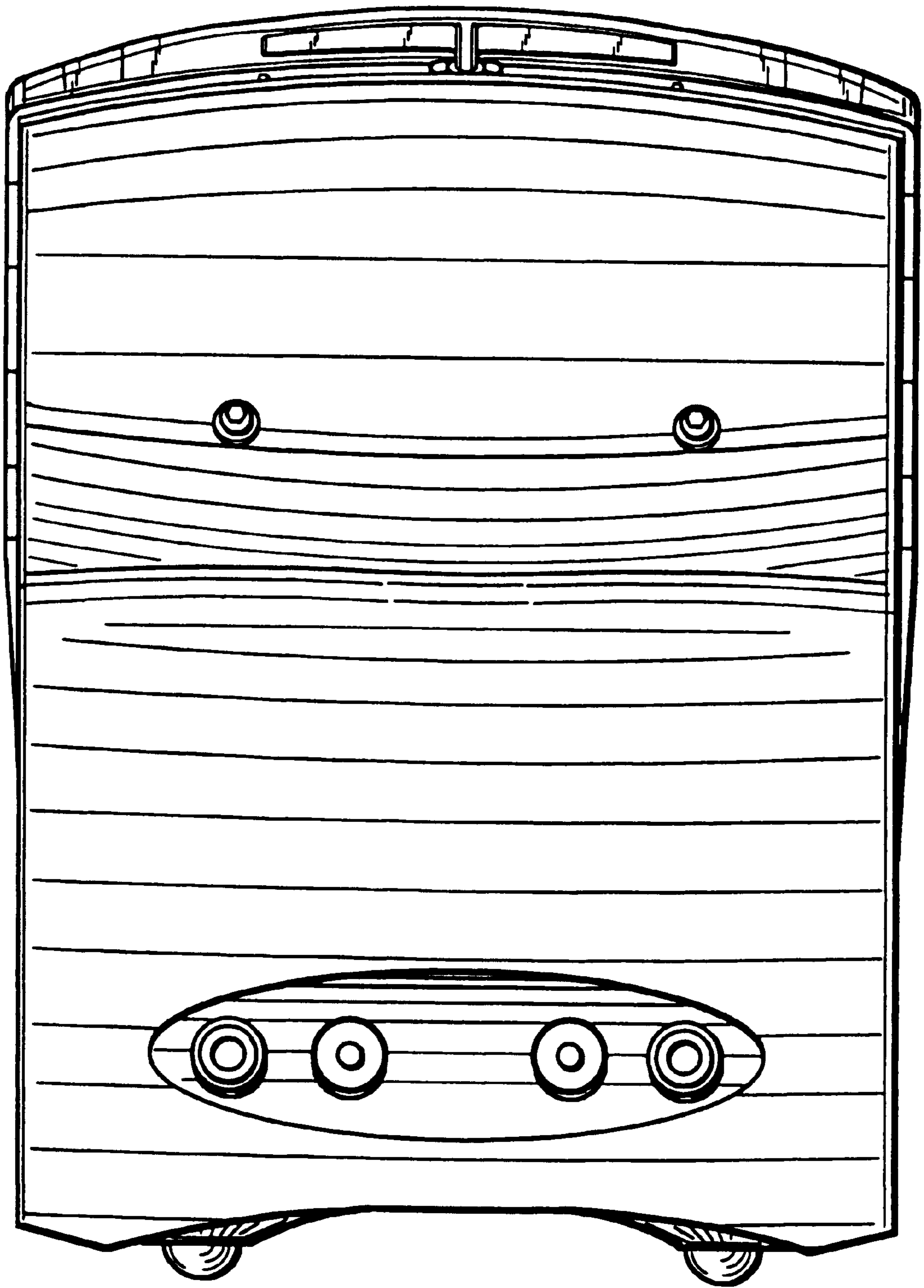


Fig-3

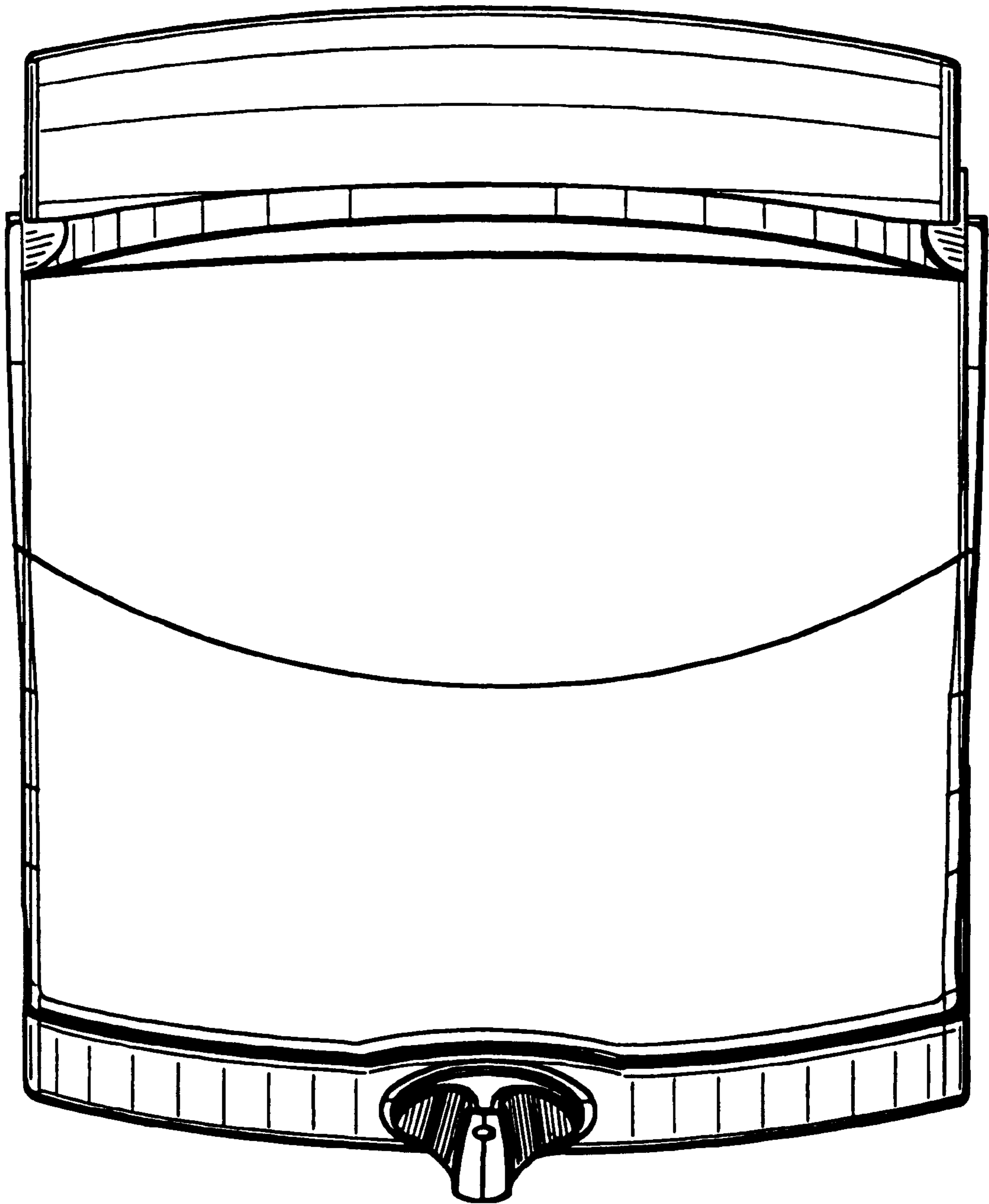


Fig-4

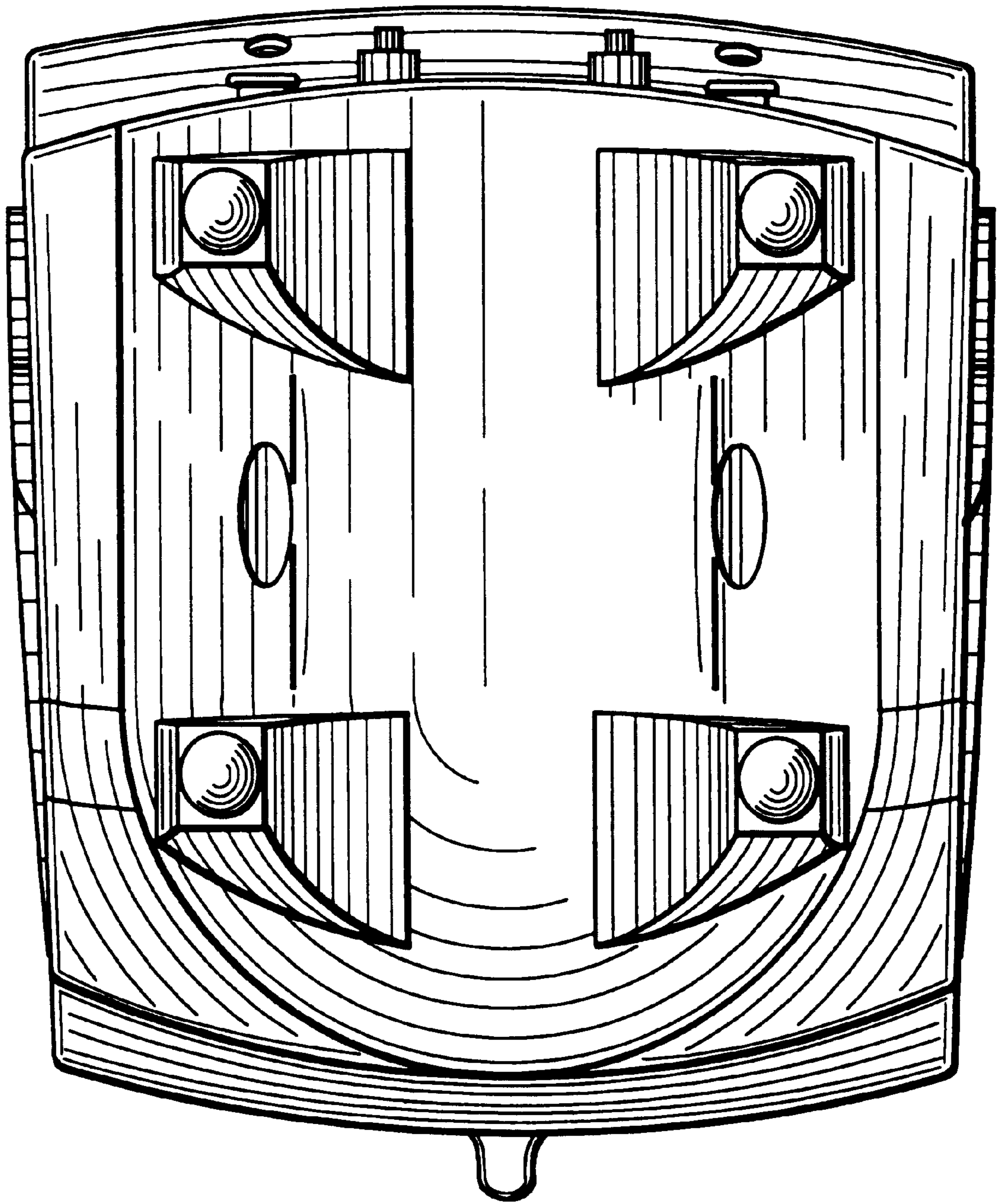
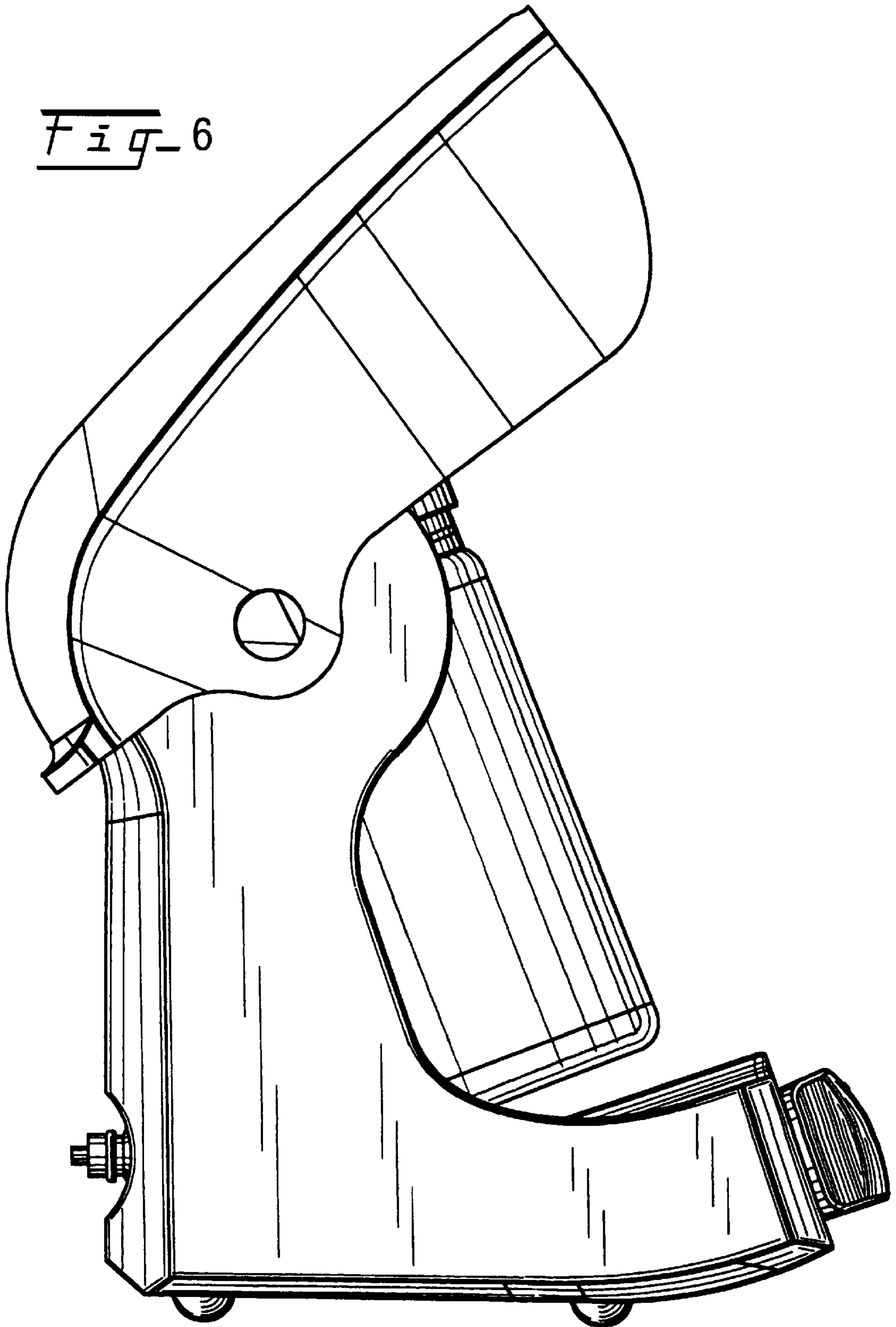


Fig-5

Fig-6



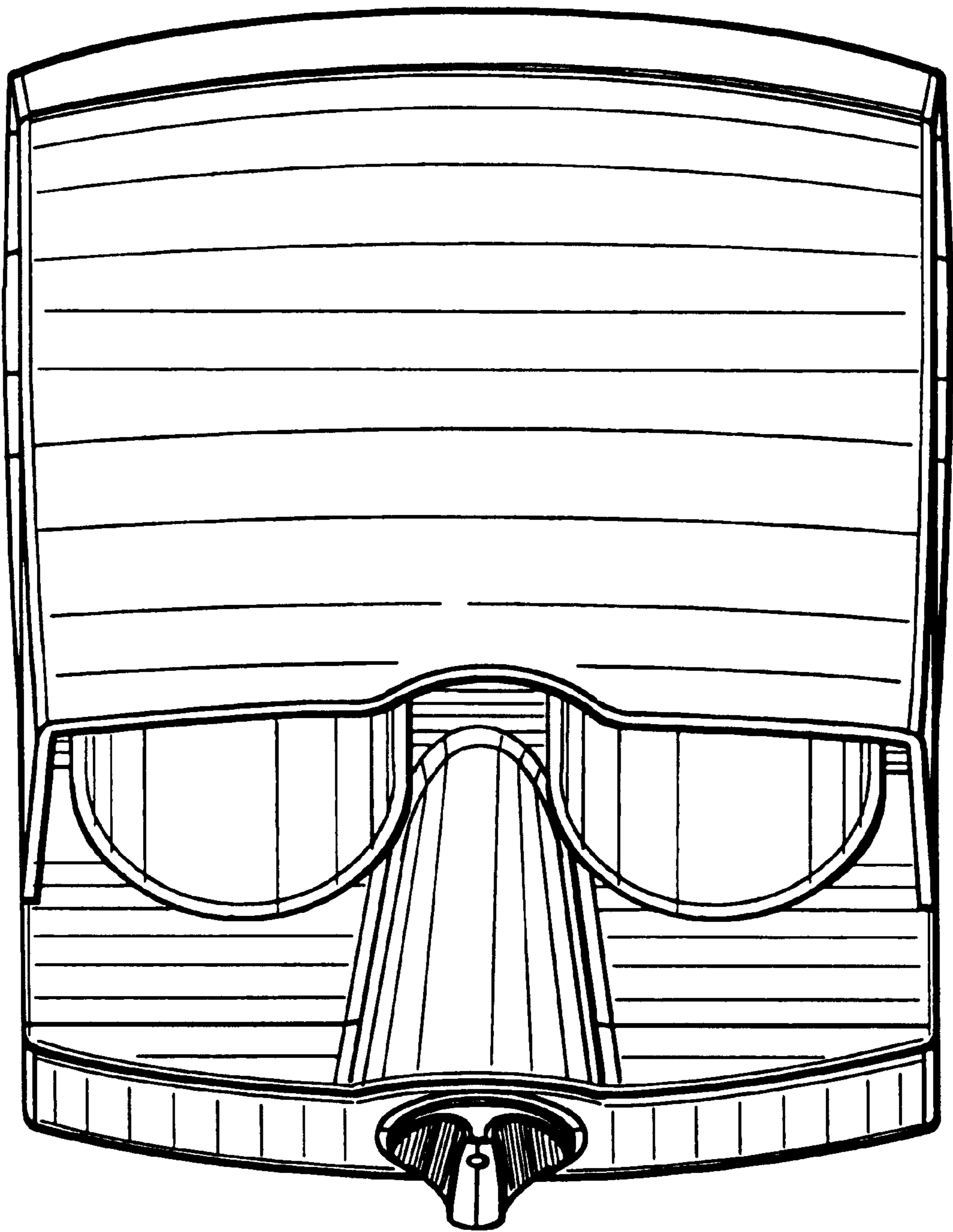


Fig-7

Fig. 8

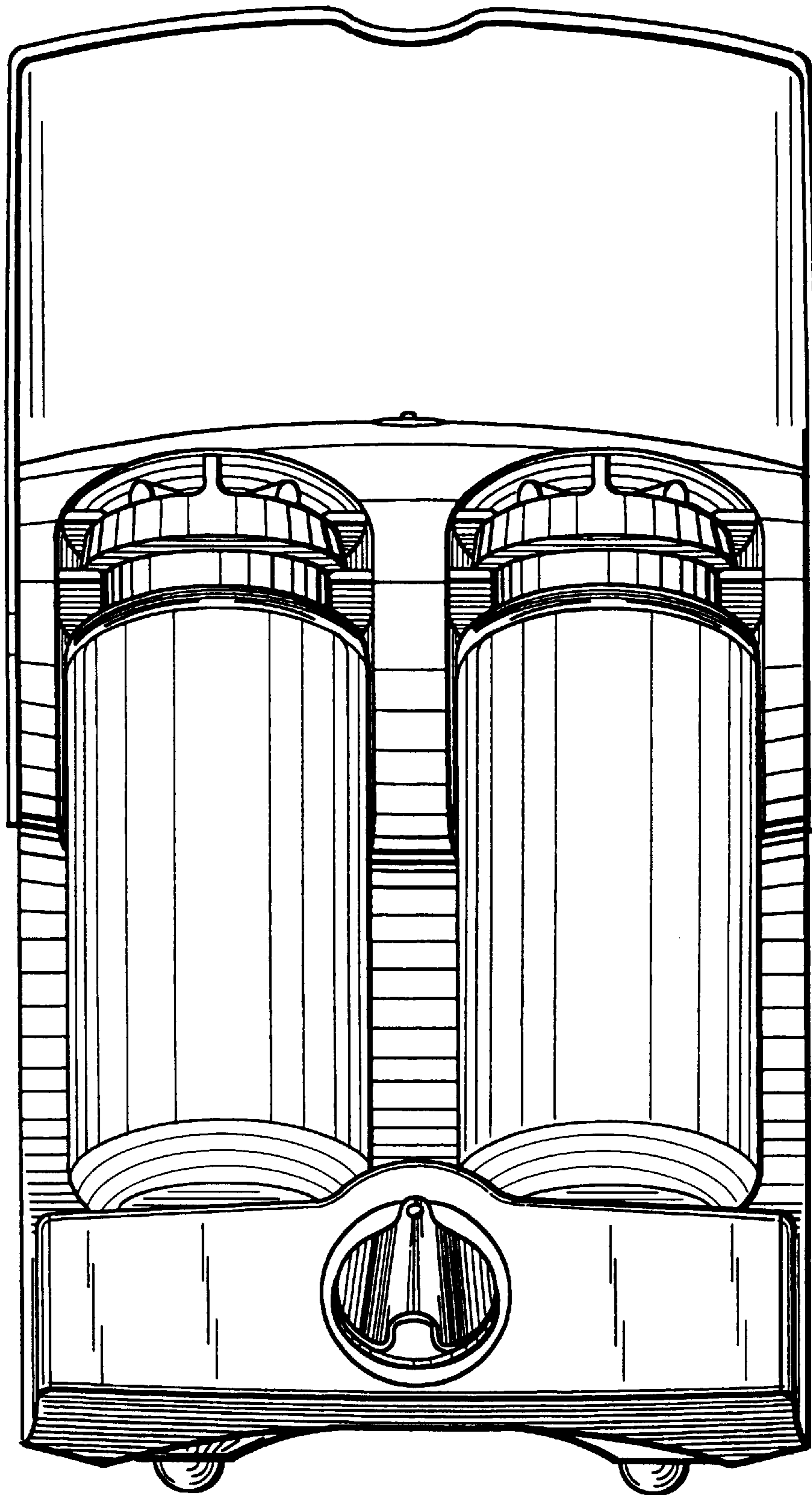


Fig-9

