



US00D422354S

# United States Patent [19] Shapiro

[11] **Patent Number: Des. 422,354**

[45] **Date of Patent: \*\* Apr. 4, 2000**

[54] **HANDLE FOR A FAN**

[75] Inventor: **Barry Shapiro**, Doylestown, Pa.

[73] Assignee: **Lasko Holdings, Inc.**, West Chester, Pa.

[\*\*] Term: **14 Years**

[21] Appl. No.: **29/103,782**

[22] Filed: **Apr. 23, 1999**

[51] **LOC (6) Cl.** ..... **23-04**

[52] **U.S. Cl.** ..... **D23/411**

[58] **Field of Search** ..... D23/411, 370,  
D23/381, 382, 332; D8/315; 416/63, 244 R,  
247 R

[56] **References Cited**

**U.S. PATENT DOCUMENTS**

D. 409,300 5/1999 Moreno ..... D23/411

**1 Claim, 6 Drawing Sheets**

*Primary Examiner*—Lisa Lichtenstein  
*Attorney, Agent, or Firm*—Zachary T. Wobensmith, III

[57] **CLAIM**

The ornamental design for a handle for a fan, as shown.

**DESCRIPTION**

FIG. 1 is a front elevational view of a handle for a fan showing my new design;

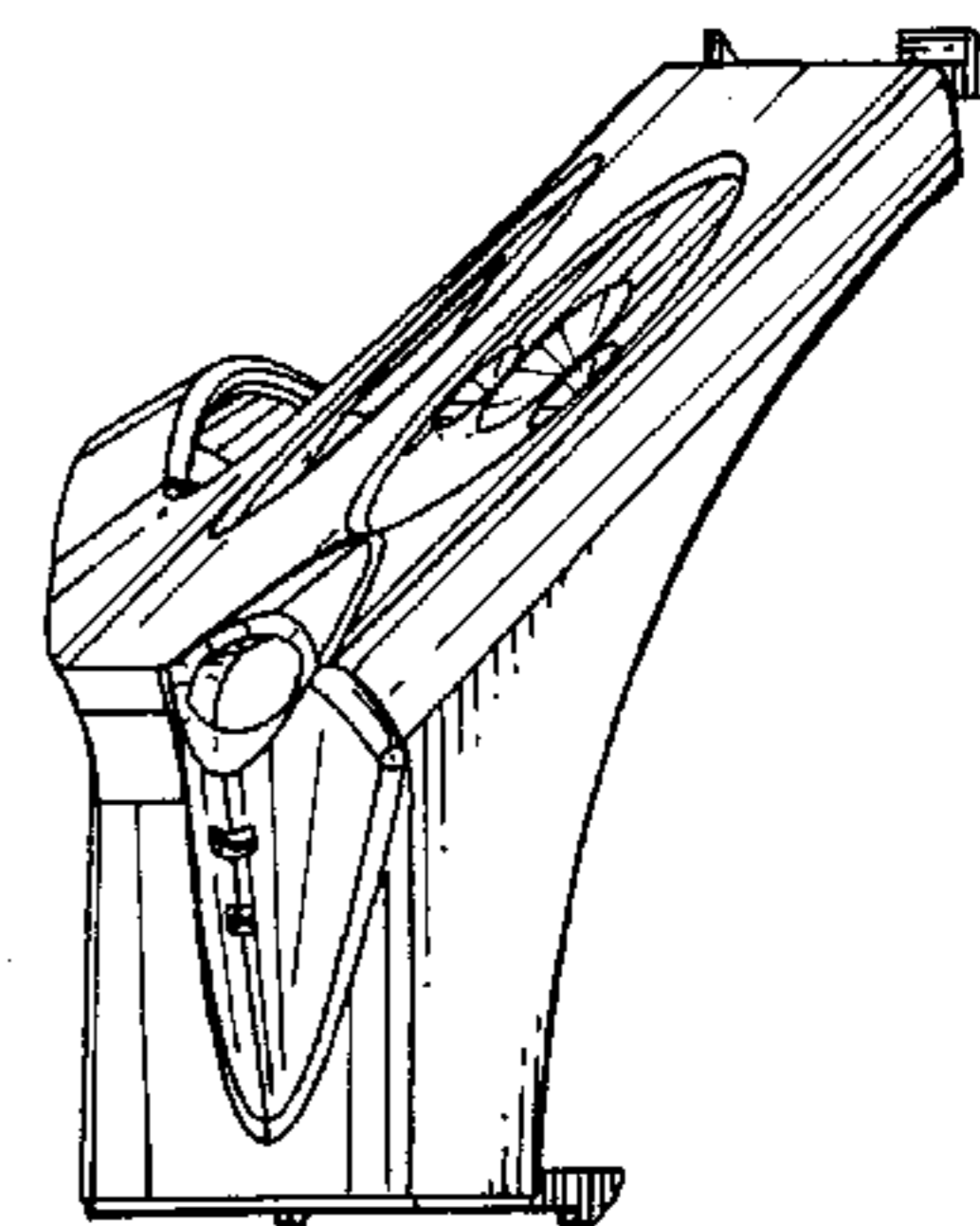
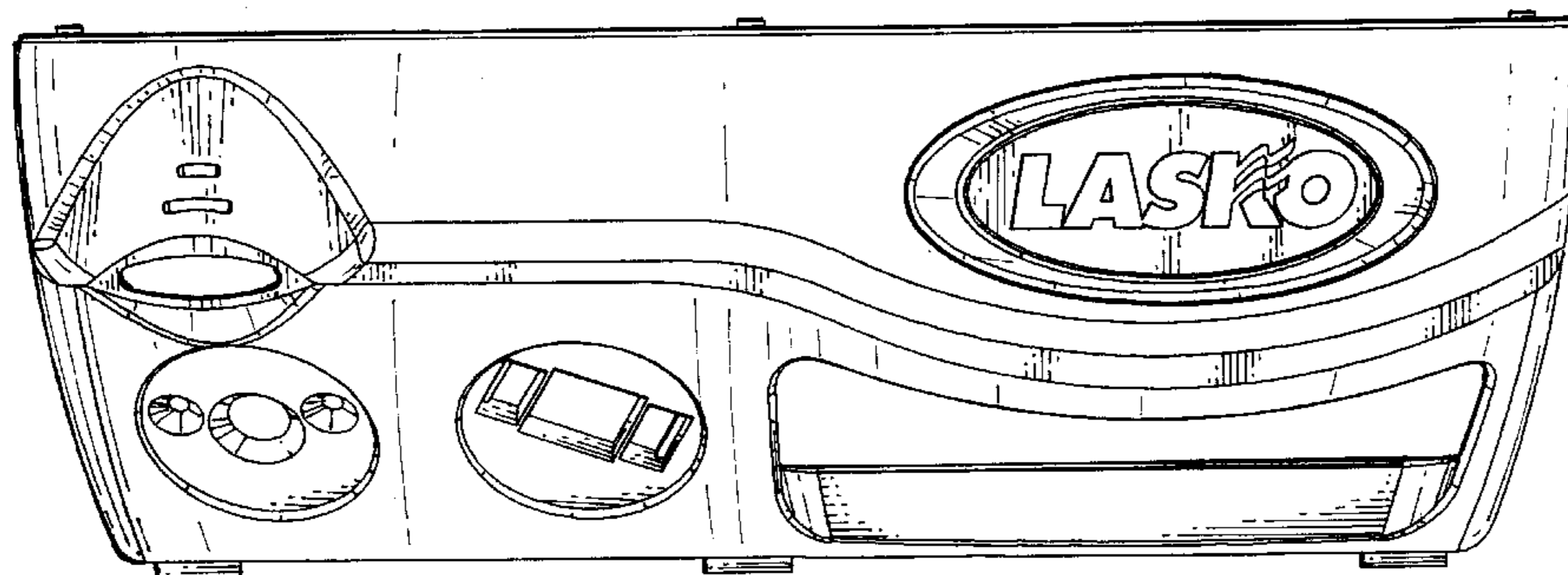
FIG. 2 is a rear elevational view thereof;

FIG. 3 is a top plan view thereof;

FIG. 4 is a bottom plan view thereof;

FIG. 5 is a left side elevational view thereof; and,

FIG. 6 is a right side elevational view thereof.



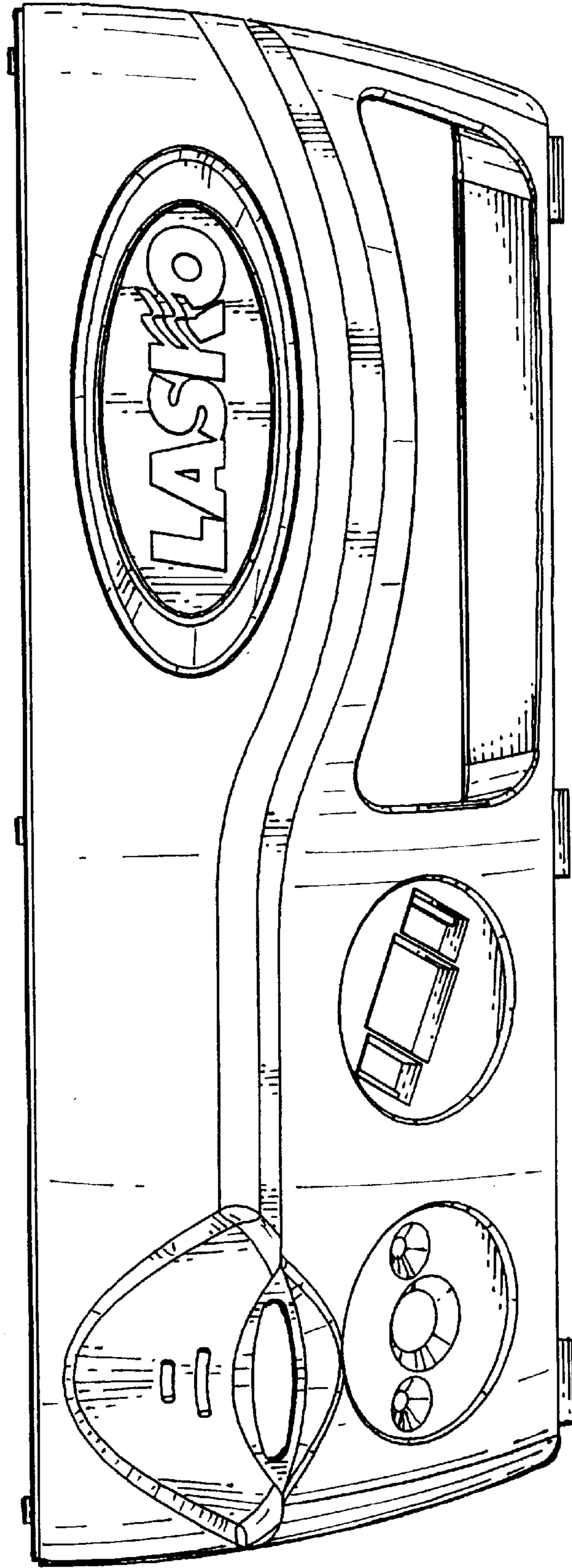


FIG. 1

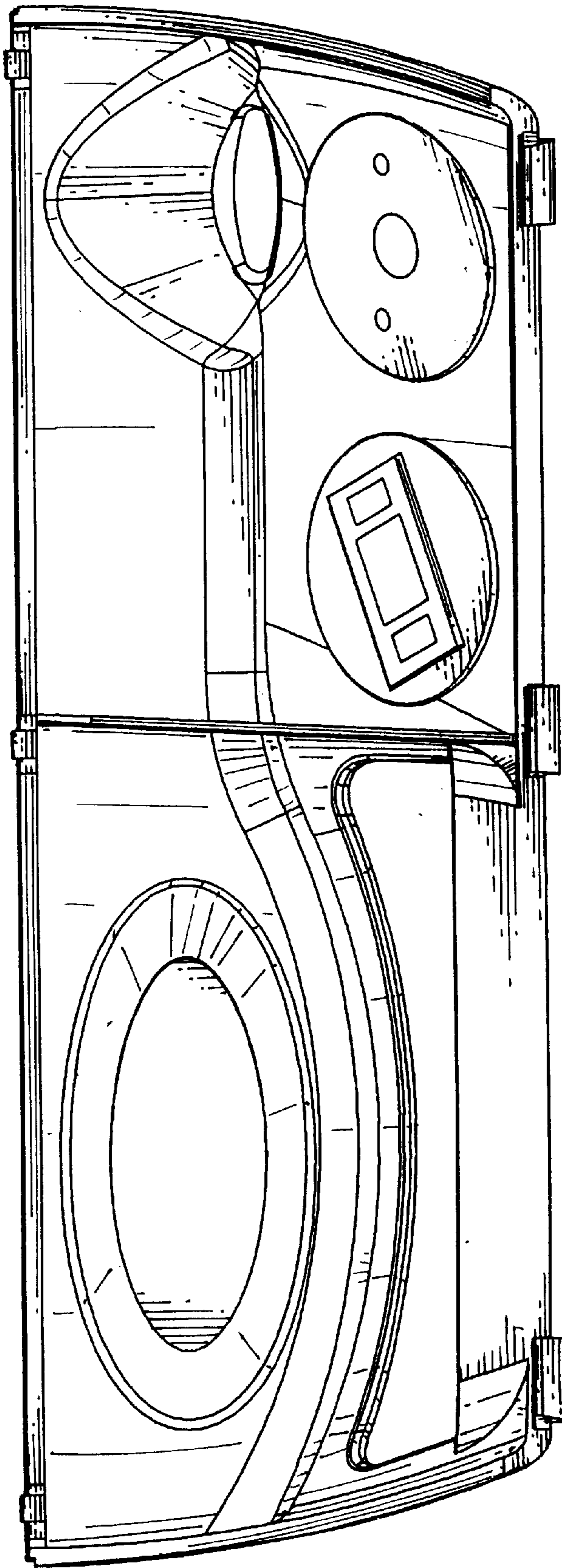


FIG. 2

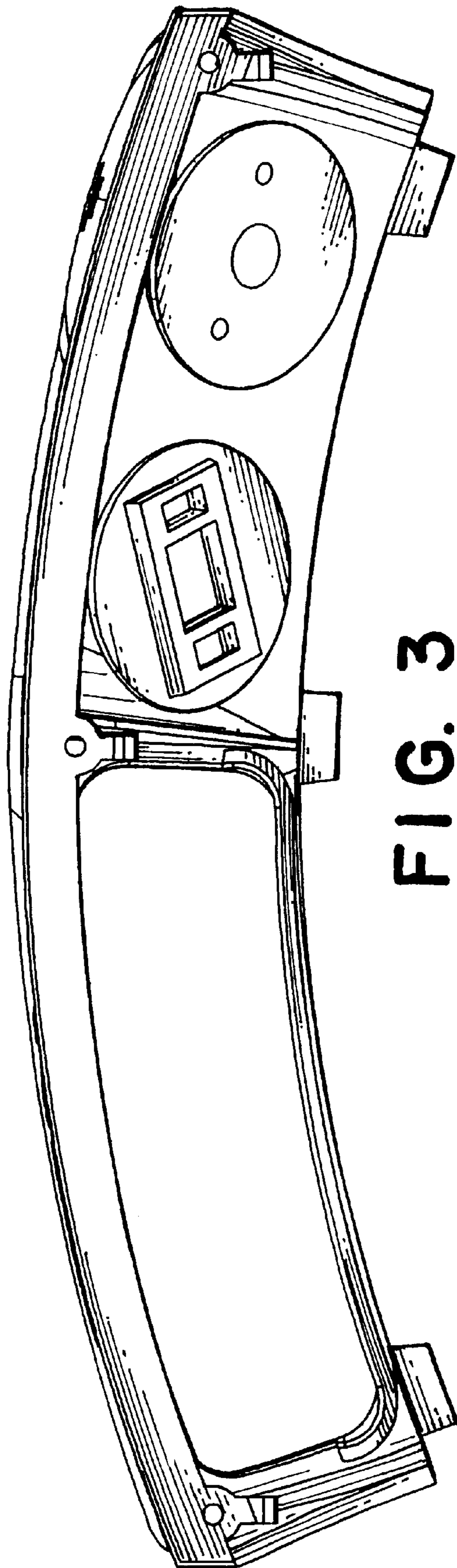


FIG. 3

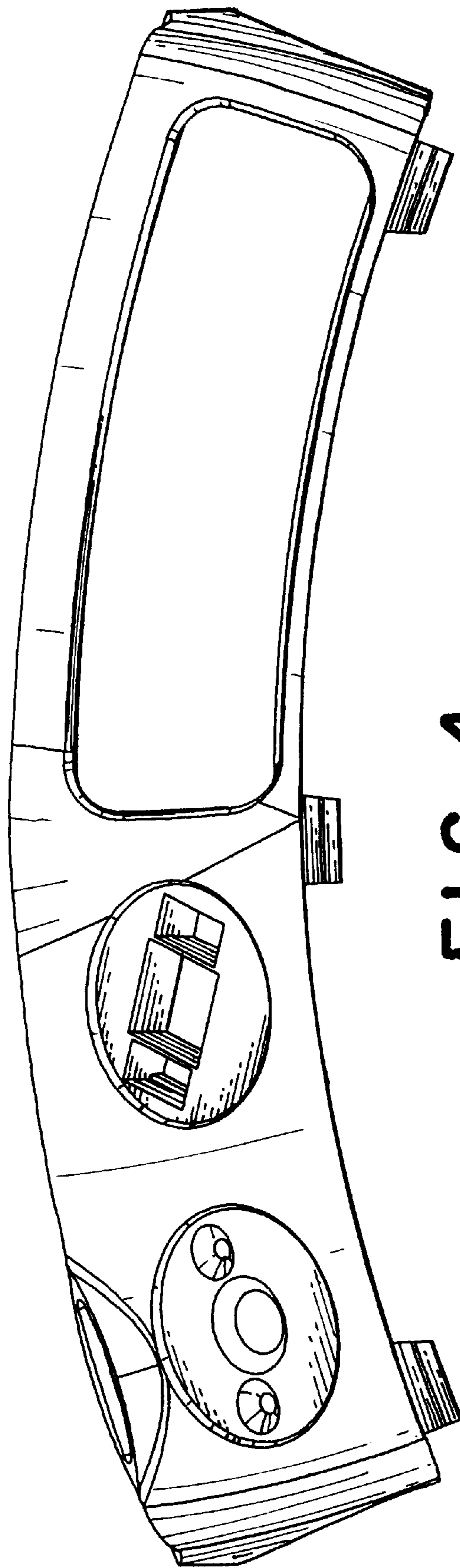
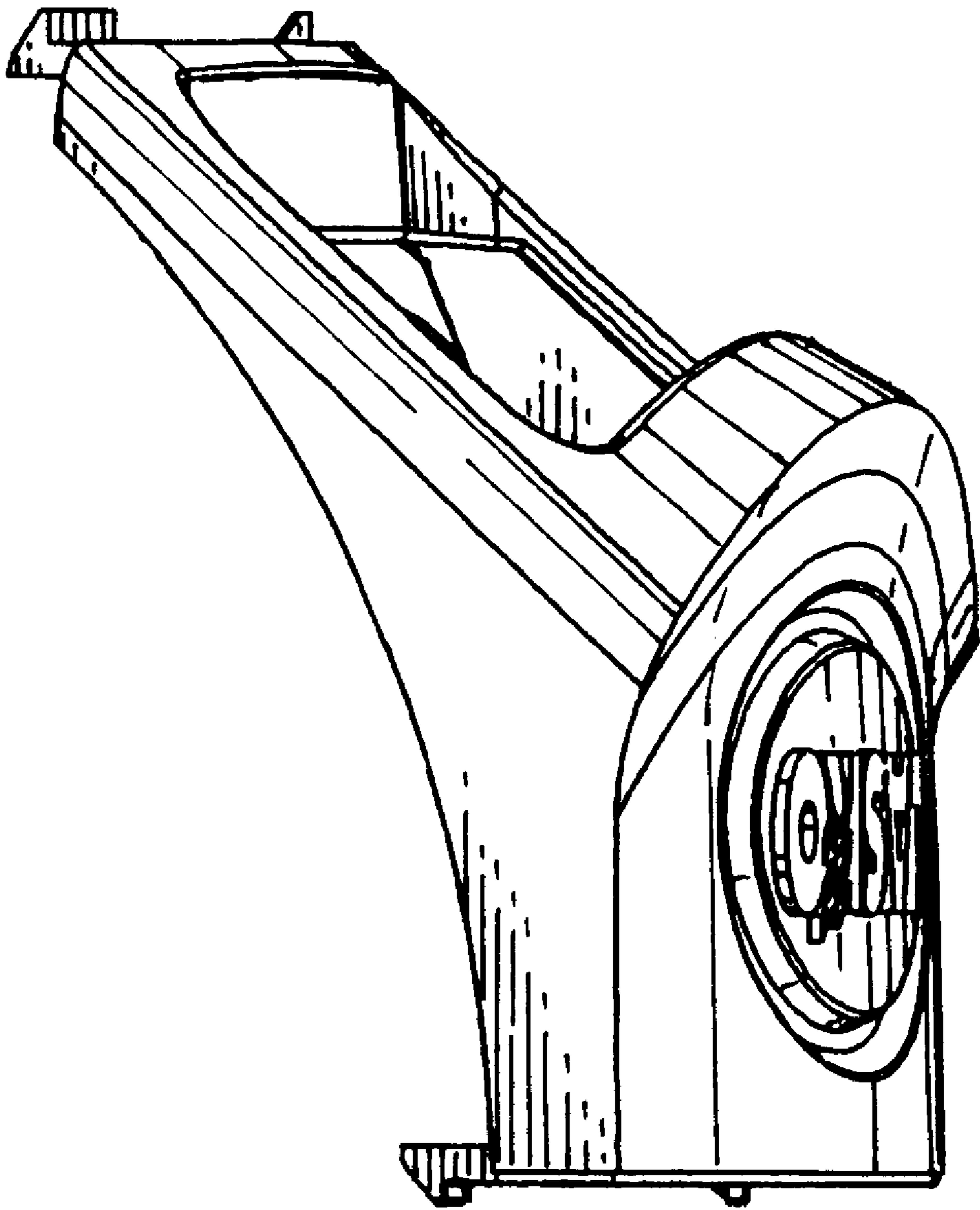
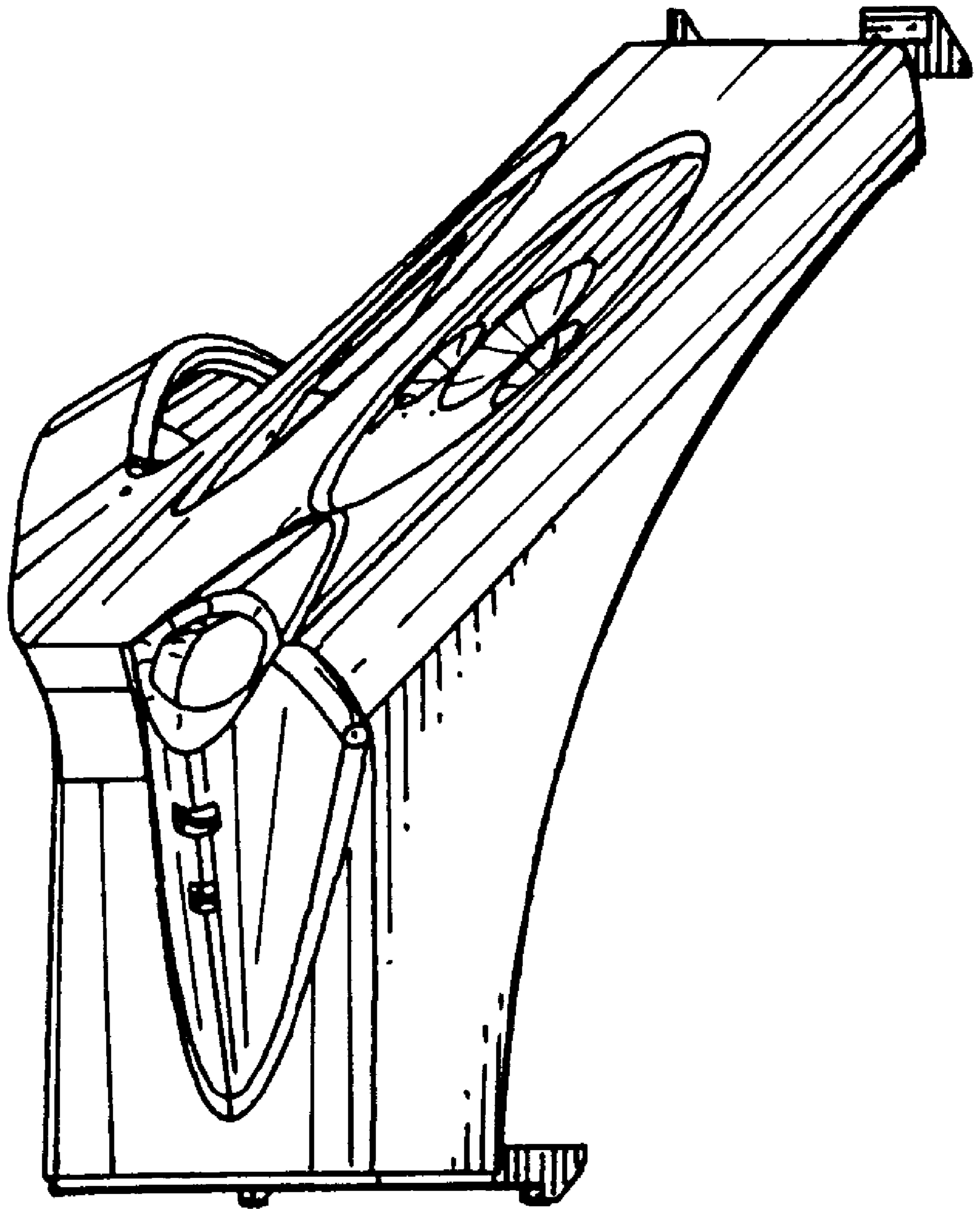


FIG. 4



**FIG. 5**



**FIG. 6**