



US00D422353S

United States Patent [19]
Brewer

[11] **Patent Number: Des. 422,353**

[45] **Date of Patent: ** Apr. 4, 2000**

[54] **FAN HOUSING**

[75] Inventor: **Doug Brewer**, Chicago, Ill.

[73] Assignee: **Holmes Products, Corp.**, Milford, Mass.

[**] Term: **14 Years**

[21] Appl. No.: **29/097,705**

[22] Filed: **Dec. 11, 1998**

[51] **LOC (6) Cl.** **23-04**

[52] **U.S. Cl.** **D23/411; D23/370; D23/382**

[58] **Field of Search** **D23/370, 332, D23/411, 328, 381, 342, 378; 416/246 R, 247 R, 208**

[56] **References Cited**

U.S. PATENT DOCUMENTS

D. 366,934 2/1996 Asselbergs D23/370
2,544,281 3/1951 Seil 416/247 R

Primary Examiner—Lisa Lichtenstein
Attorney, Agent, or Firm—Hoffmann & Baron, LLP;
Francis E. Marino

[57] **CLAIM**

The ornamental design for a fan housing, as shown and described.

DESCRIPTION

FIG. 1 is a top perspective view of a fan housing showing our new design;

FIG. 2 is a front elevation view thereof;

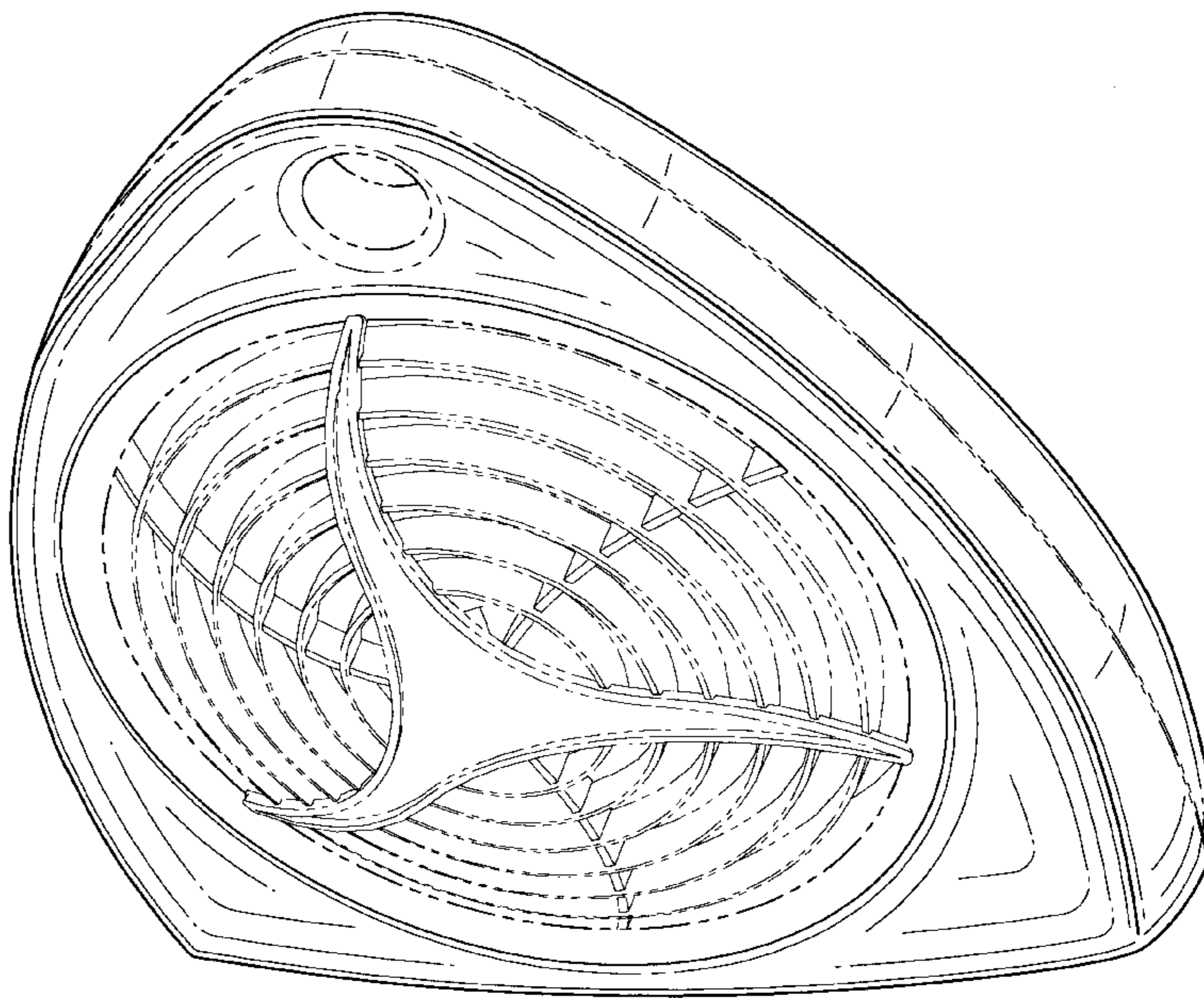
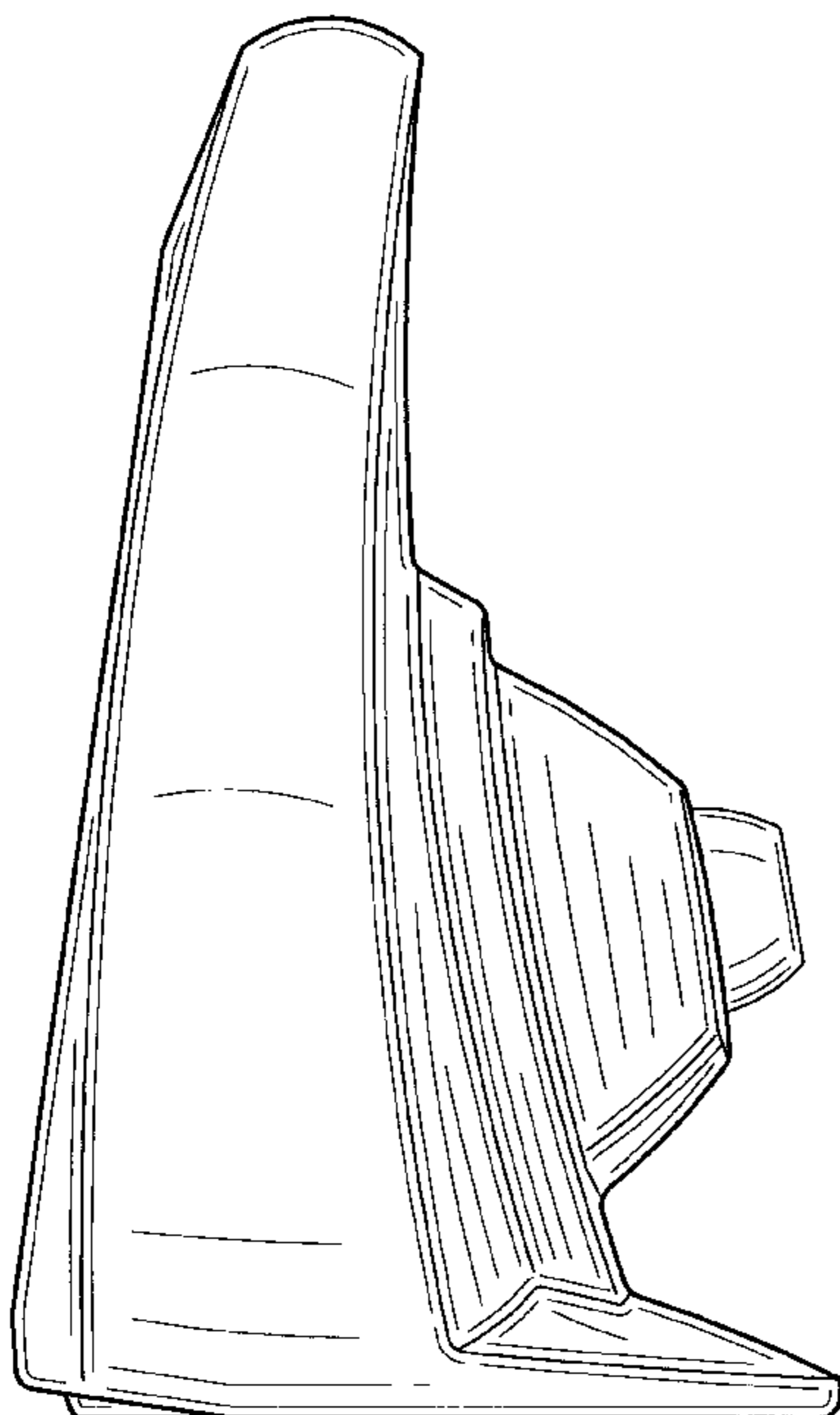
FIG. 3 is a top elevation view thereof;

FIG. 4 is a left side elevation view thereof, the right side being a mirror image; and,

FIG. 5 is a top perspective view of the fan housing of FIG. 1 including a sample fan grill.

The subject matter shown in broken lines forms no part of the claimed design.

1 Claim, 5 Drawing Sheets



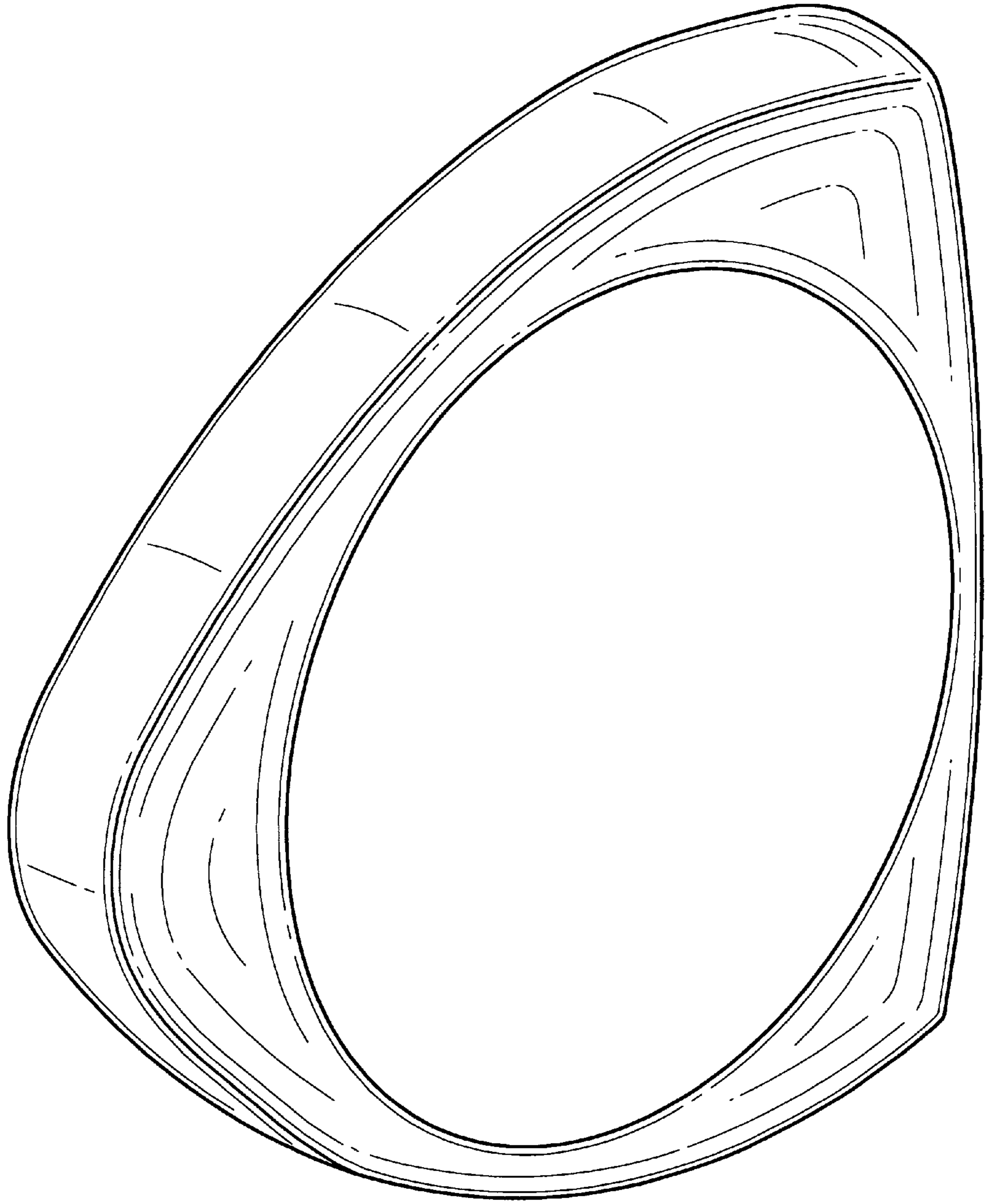


FIG-1

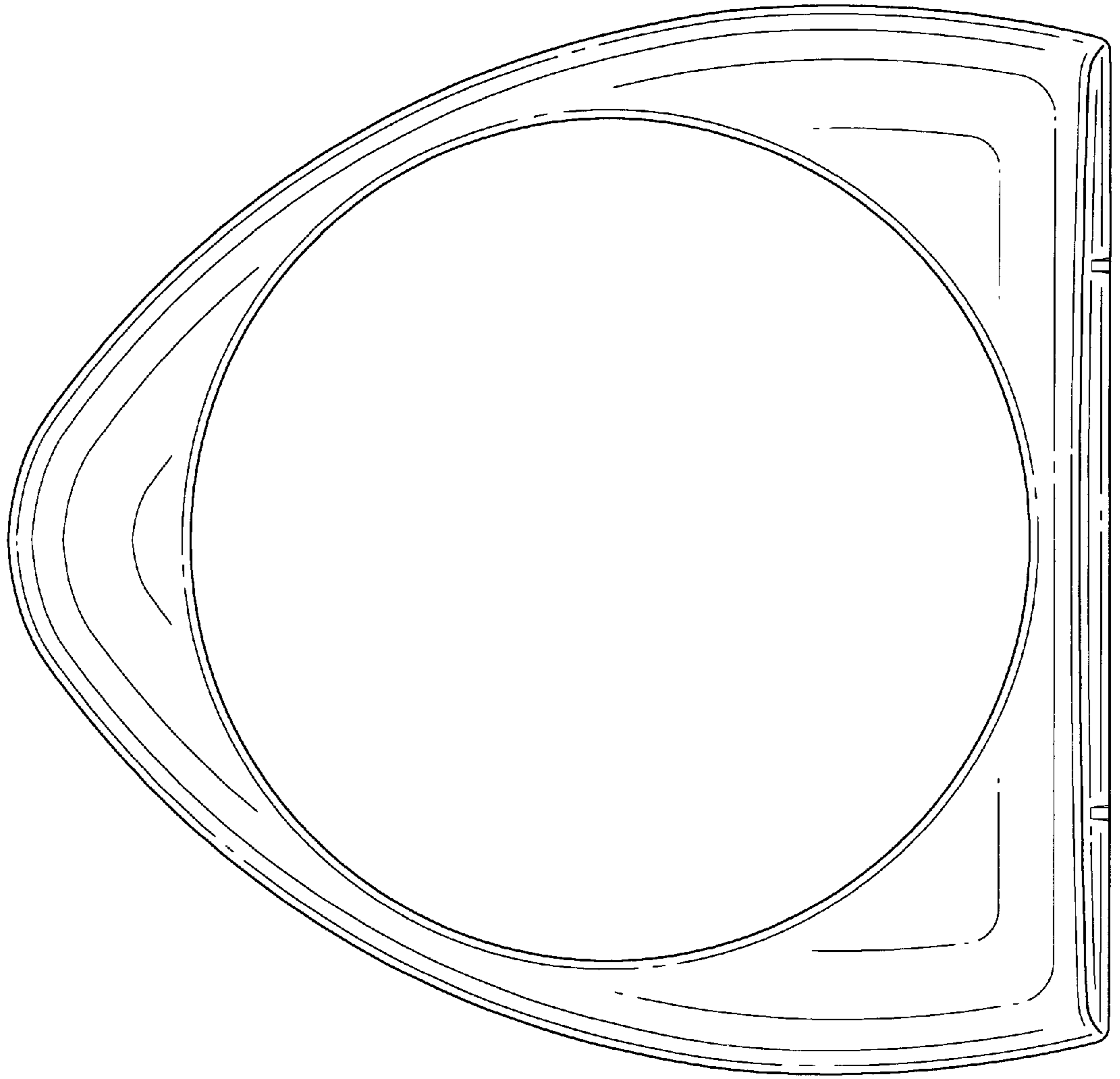


FIG-2

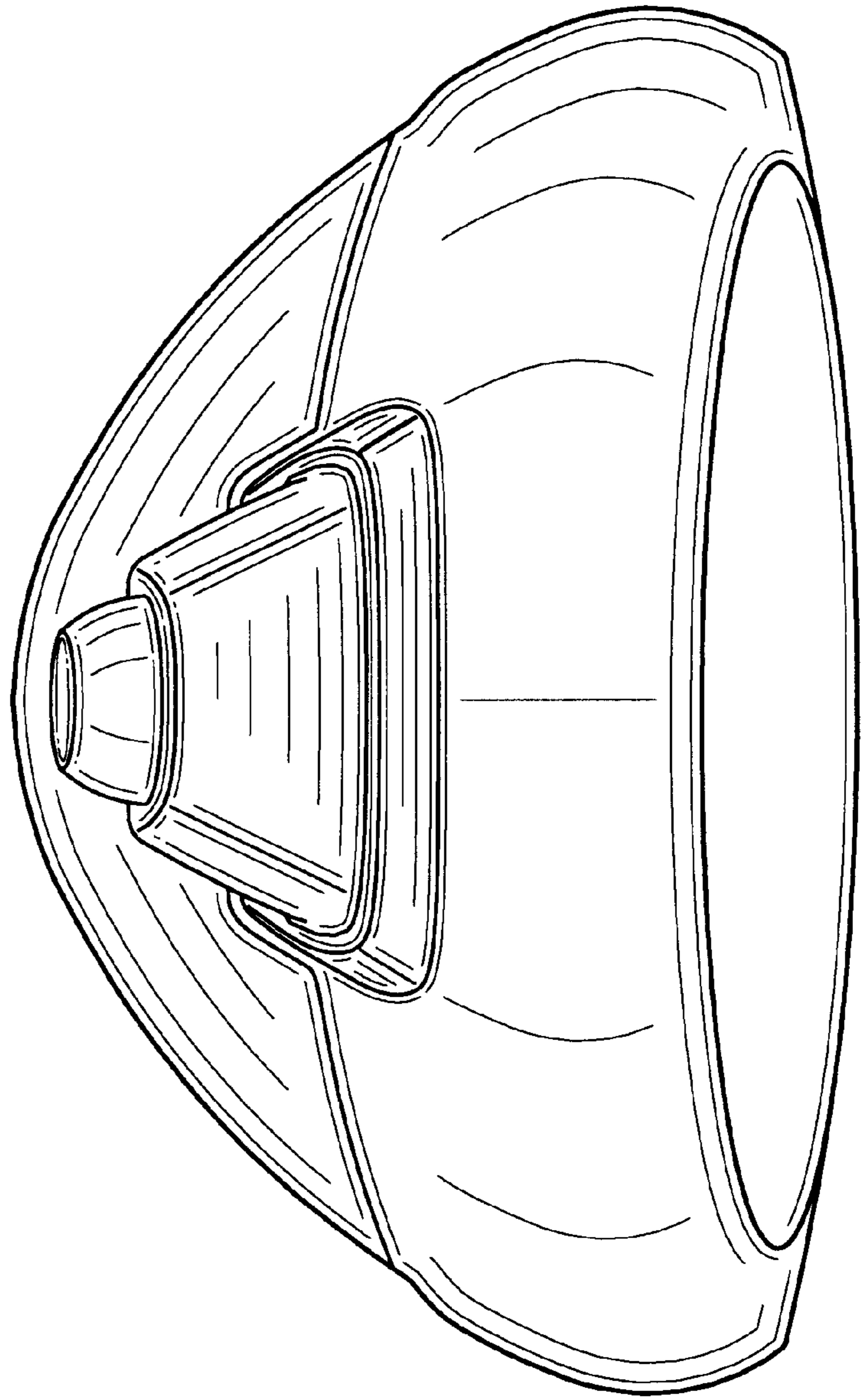


FIG-3

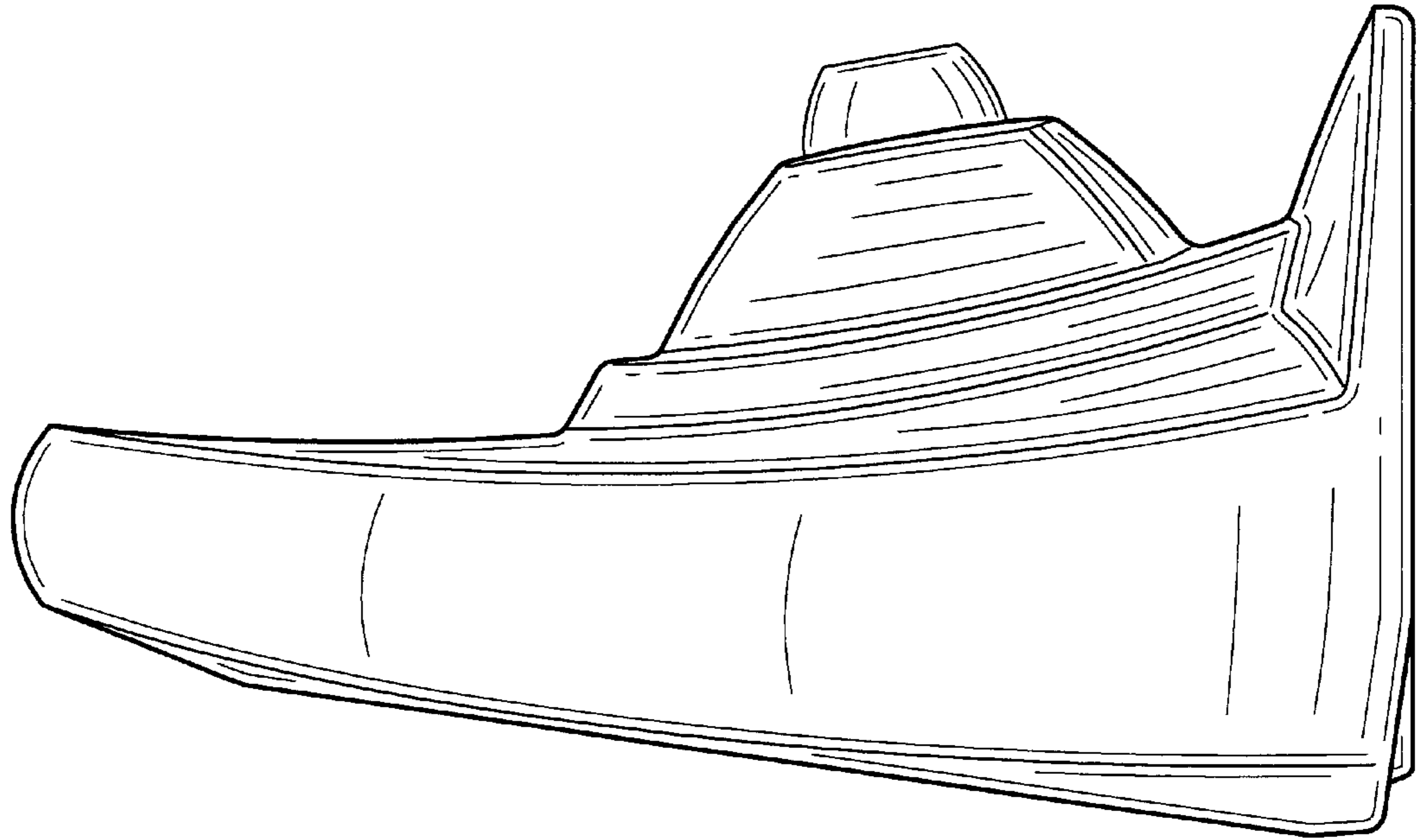


FIG-4

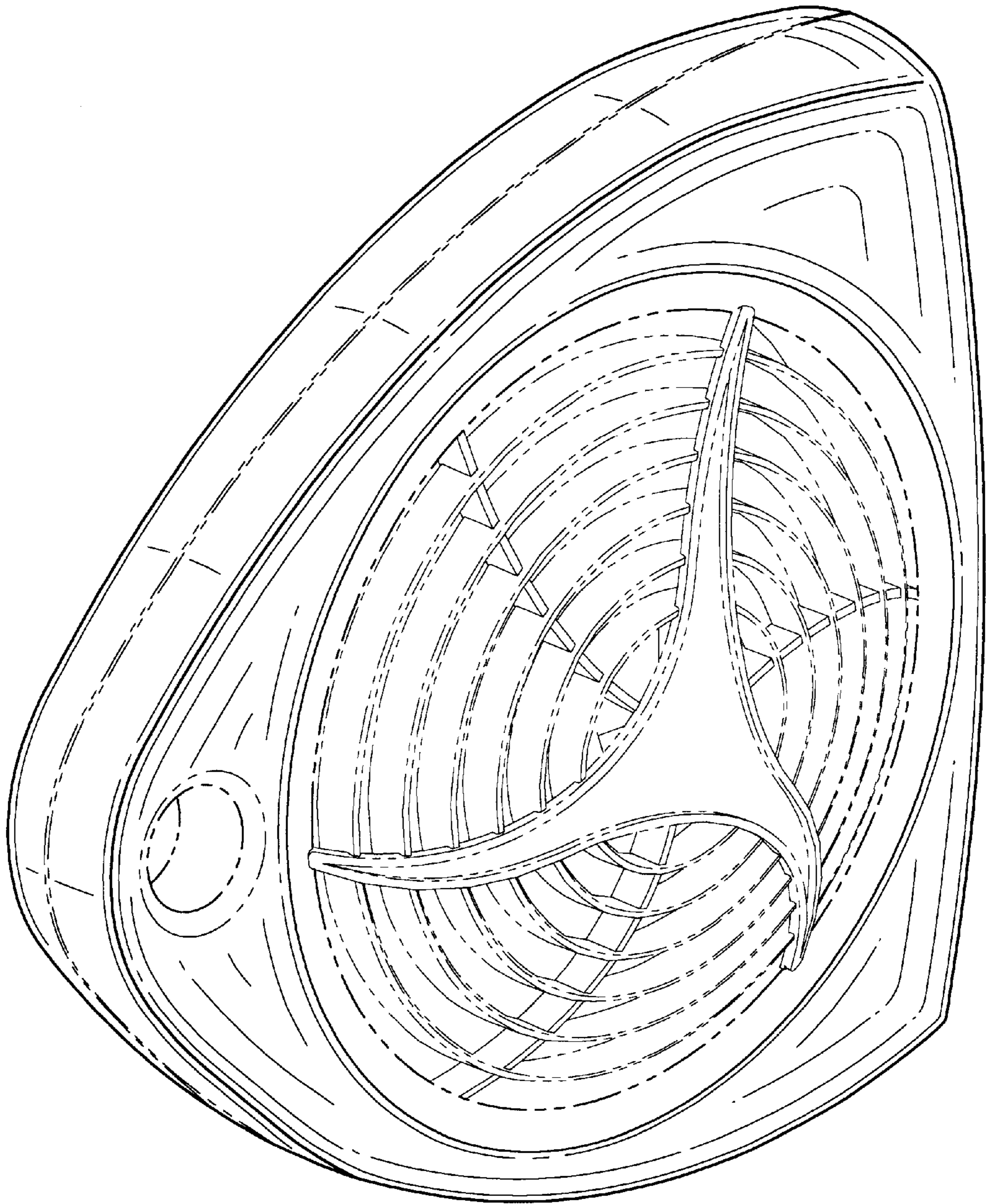


FIG-5