



US00D422351S

United States Patent [19] Griffin

[11] Patent Number: **Des. 422,351**

[45] Date of Patent: **** Apr. 4, 2000**

[54] **BLOWER**

[75] Inventor: **John Griffin**, Phoenix, Ariz.

[73] Assignee: **Shop Vac Corporation**, Williamsport, Pa.

[**] Term: **14 Years**

[21] Appl. No.: **29/102,650**

[22] Filed: **Mar. 29, 1999**

[51] **LOC (6) Cl.** **23-04**

[52] **U.S. Cl.** **D23/383**

[58] **Field of Search** D23/383, 370;
15/344, 405; 416/247 R

[56] **References Cited**

U.S. PATENT DOCUMENTS

2,920,337 1/1960 Smith 25/323
4,404,706 9/1983 Loyd 15/344

4,836,753 6/1989 Berfield et al. 417/236
4,880,364 11/1989 Berfield et al. 417/423.1
5,144,716 9/1992 Watanabe et al. 15/323
5,606,769 3/1997 Tomasiak et al. 15/327.6

Primary Examiner—Lisa Lichtenstein
Attorney, Agent, or Firm—Marshall, O’Toole, Gerstein,
Murray & Borun

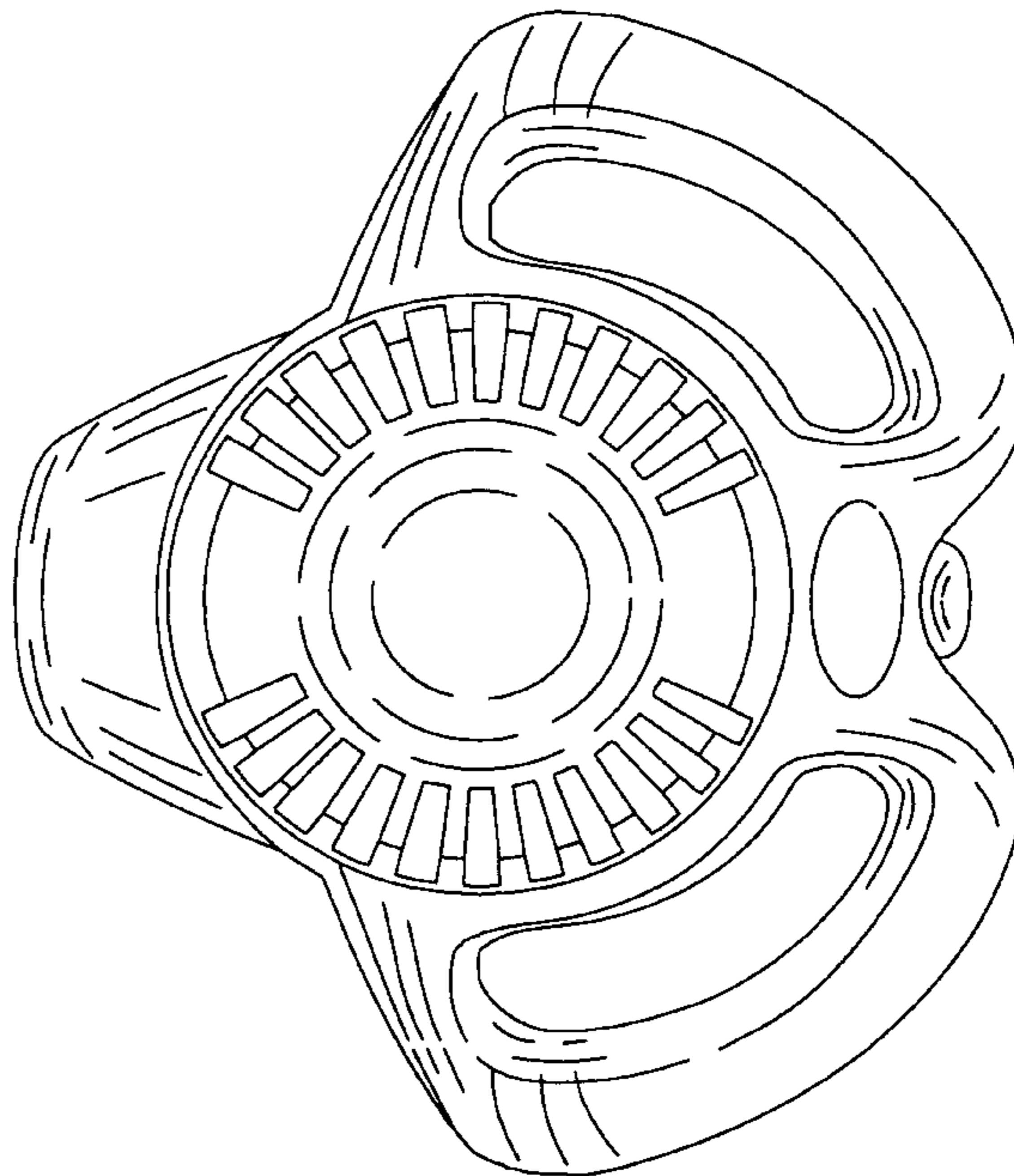
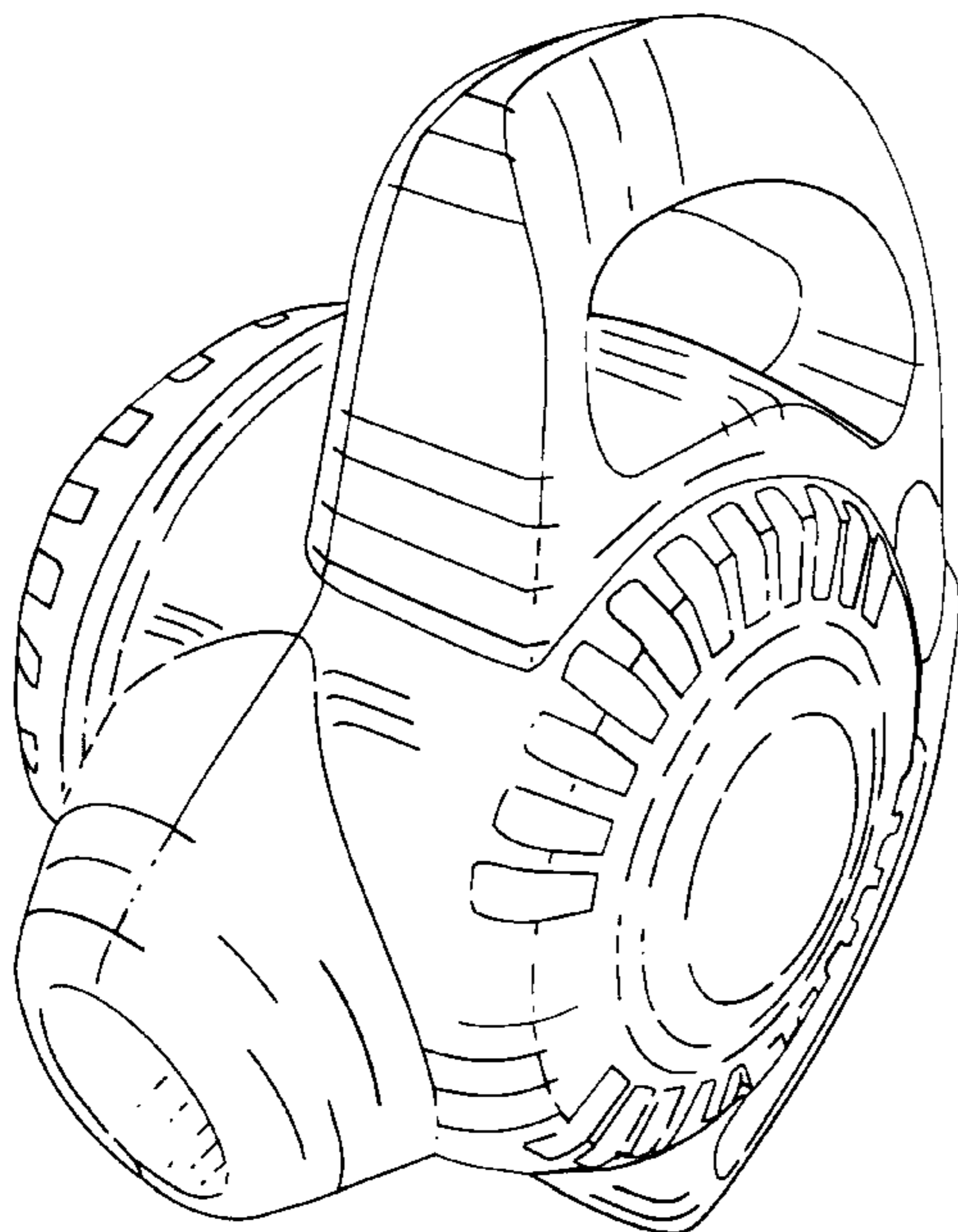
[57] **CLAIM**

The ornamental design for a “blower”, as shown.

DESCRIPTION

FIG. 1 is a perspective view showing my new design;
FIG. 2 is a side elevational view thereof;
FIG. 3 is a side elevational view thereof;
FIG. 4 is a side elevational view thereof;
FIG. 5 is a side elevational view thereof; and
FIG. 6 is a top plan view thereof; and,
FIG. 7 is a bottom plan view thereof.

1 Claim, 7 Drawing Sheets



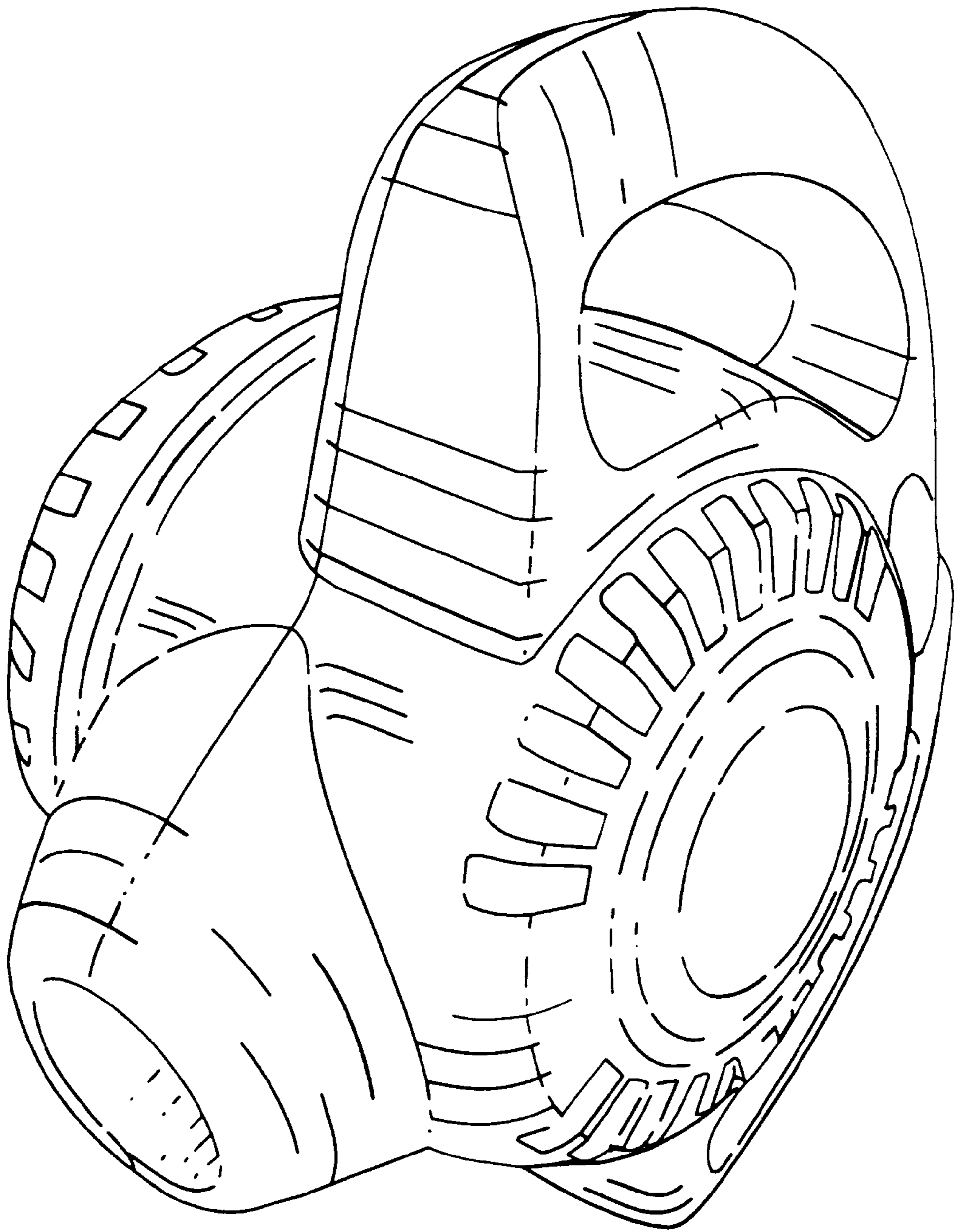


FIG. 1

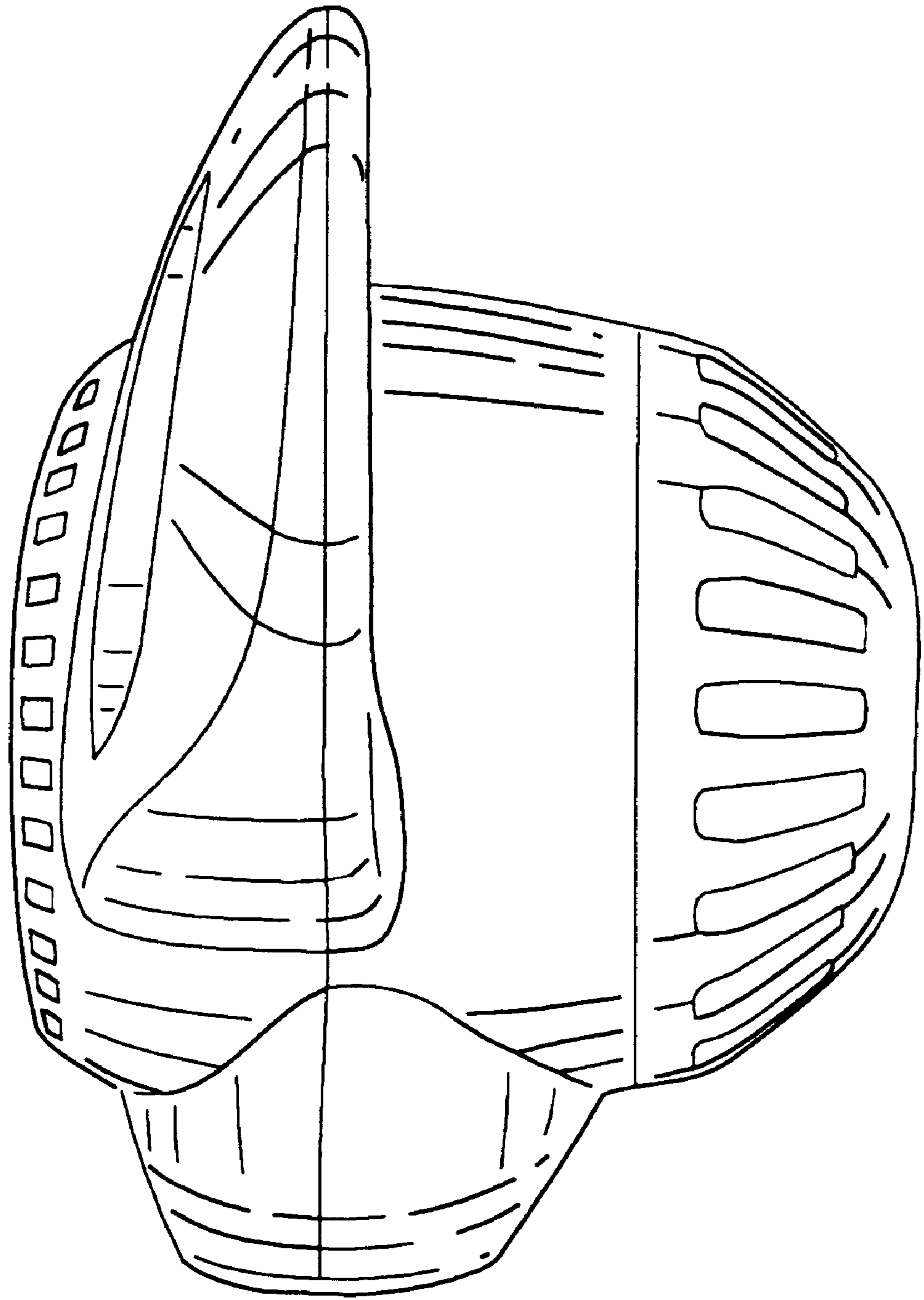


FIG. 2

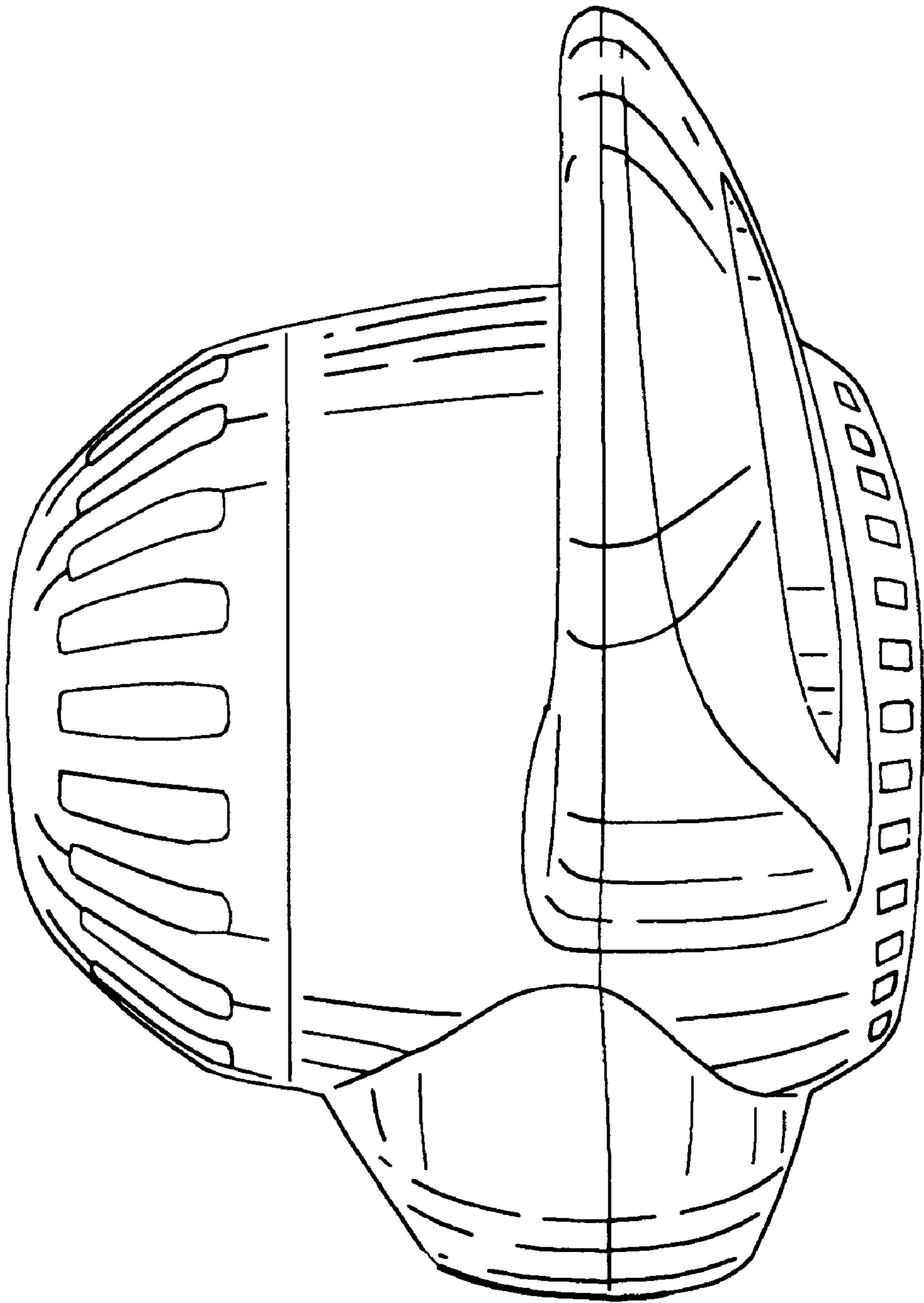


FIG. 3

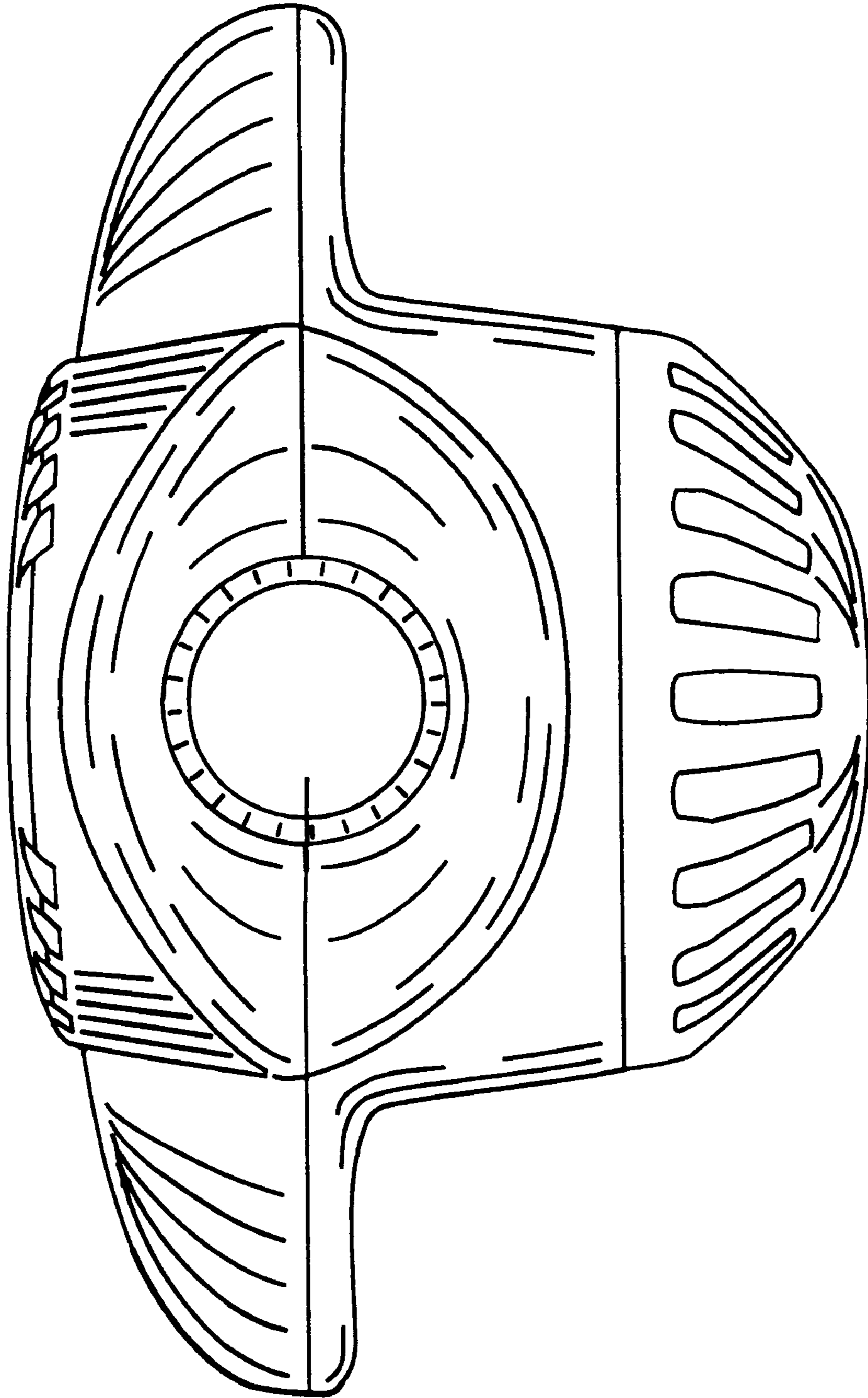
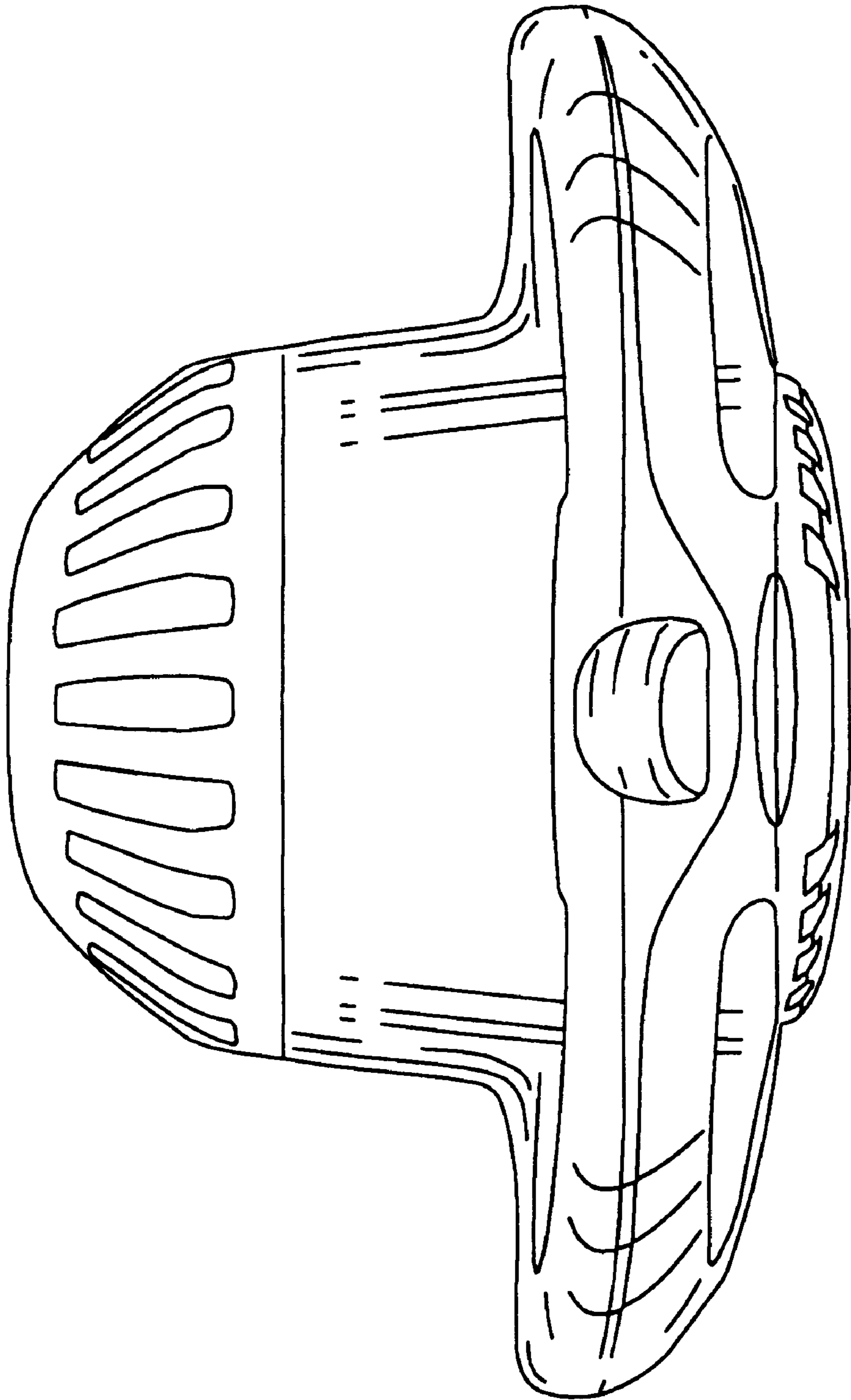


FIG. 4

FIG. 5



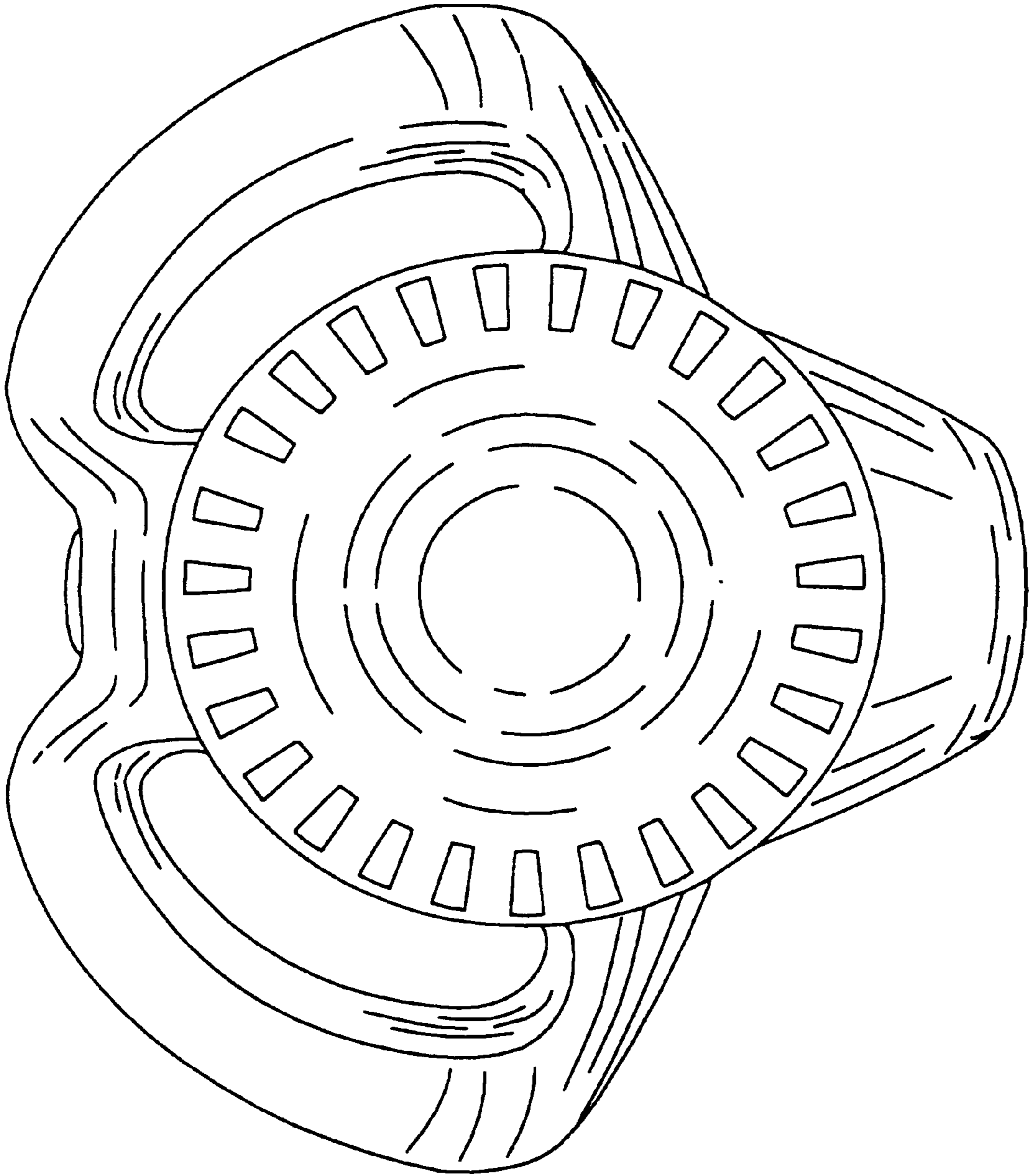


FIG. 6

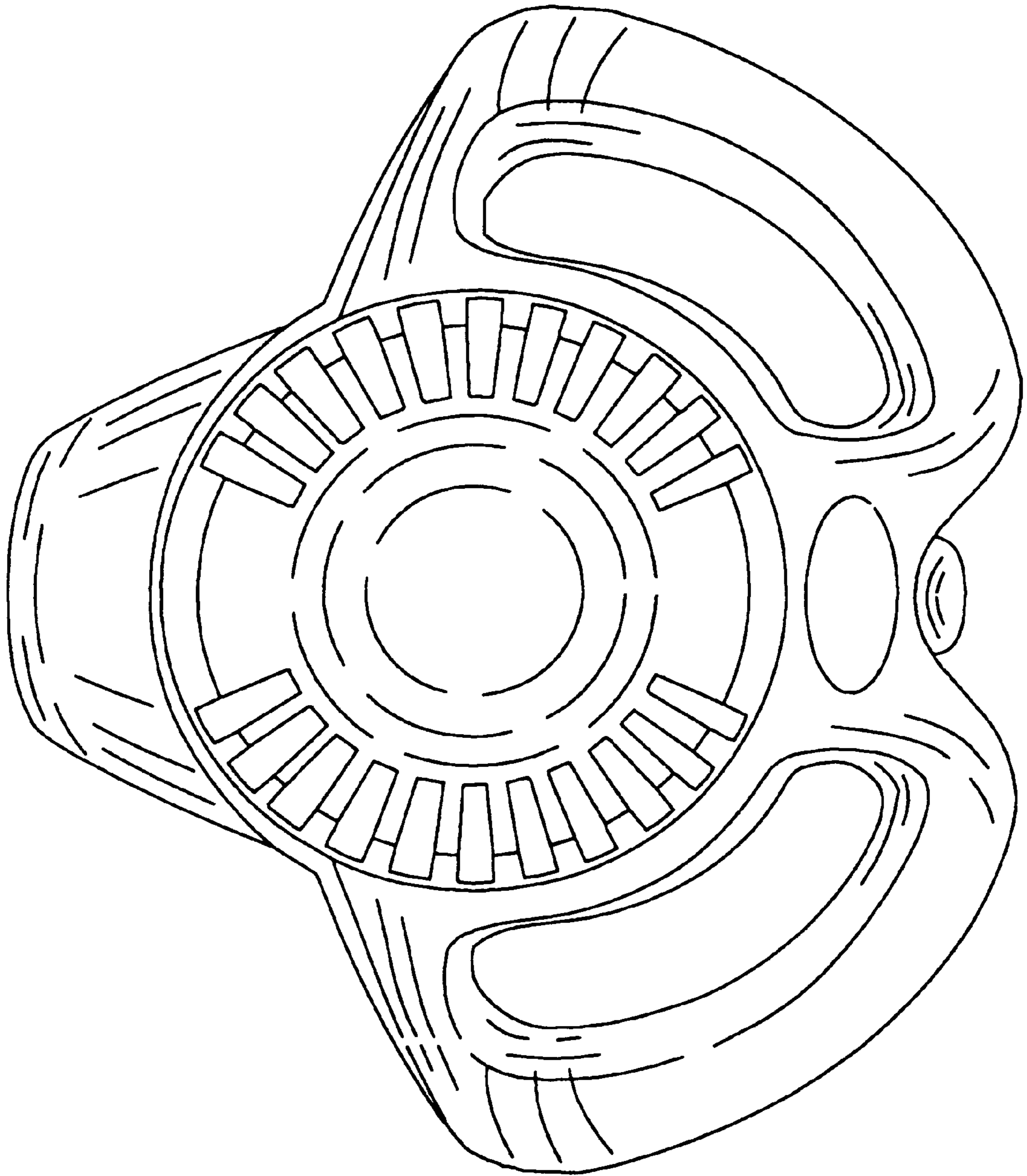


FIG. 7