



US00D422350S

United States Patent [19]
Wu

[11] **Patent Number: Des. 422,350**

[45] **Date of Patent: ** Apr. 4, 2000**

[54] **AIR FRESHENER**

D. 398,976 9/1998 Green D23/367
3,400,890 9/1968 Gould 239/211

[76] Inventor: **Henry Wu**, 3F, No. 6, Alley 59, Lane 42, Min-Chuan Rd., Hsin-Tien, Taipei, Taiwan

Primary Examiner—Lisa Lichtenstein
Attorney, Agent, or Firm—Bacon & Thomas, PLLC

[**] Term: **14 Years**

[57] **CLAIM**

[21] Appl. No.: **29/107,232**

The ornamental design for an air freshener, as shown.

[22] Filed: **Jul. 2, 1999**

DESCRIPTION

[51] **LOC (6) Cl.** **23-04**

FIG. 1 is a perspective view of an air freshener showing my new design;

[52] **U.S. Cl.** **D23/367; D23/366**

FIG. 2 is a front elevation view thereof;

[58] **Field of Search** D23/366-369;

FIG. 3 is a rear elevation view thereof;

261/DIG. 65, 30, DIG. 17; 239/60, 211,

FIG. 4 is a left side elevation view thereof;

55; 422/120, 305

FIG. 5 is a right side elevation view thereof;

[56] **References Cited**

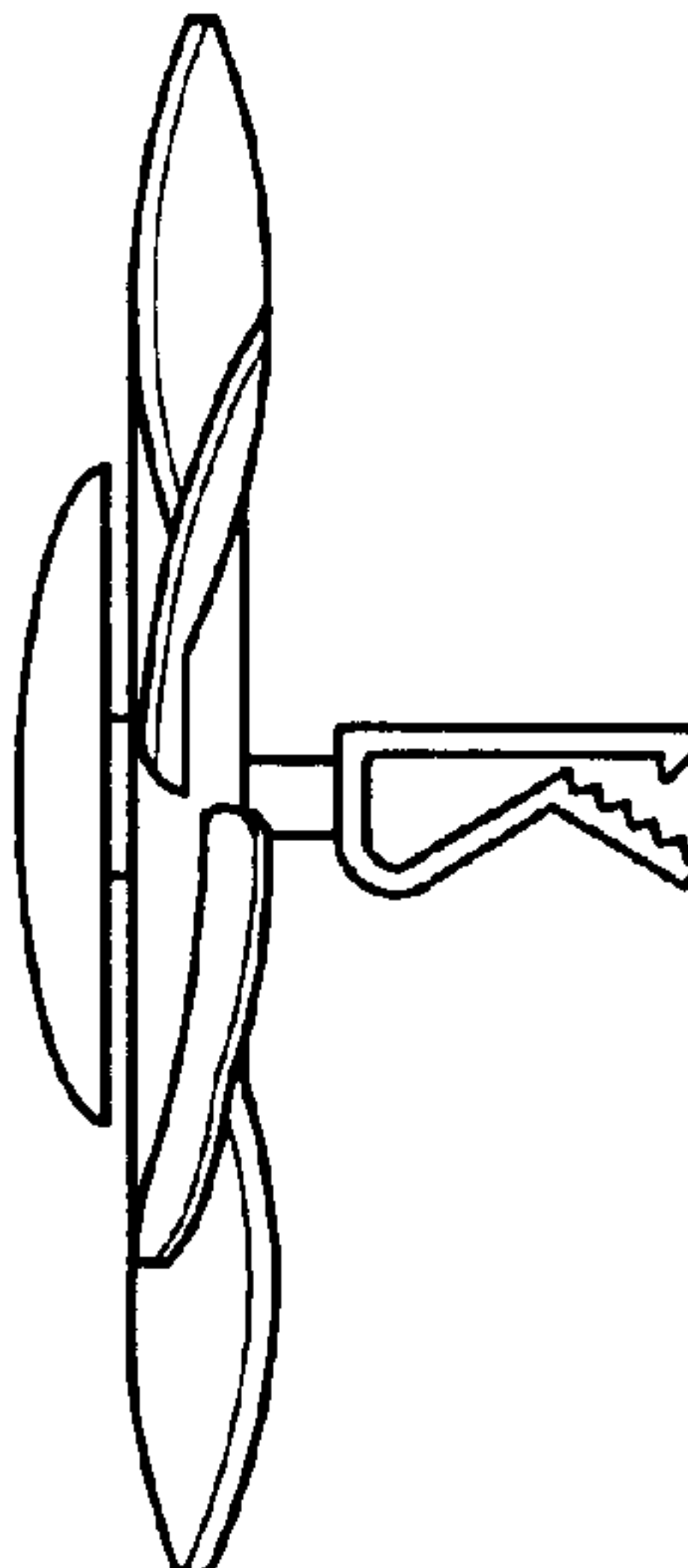
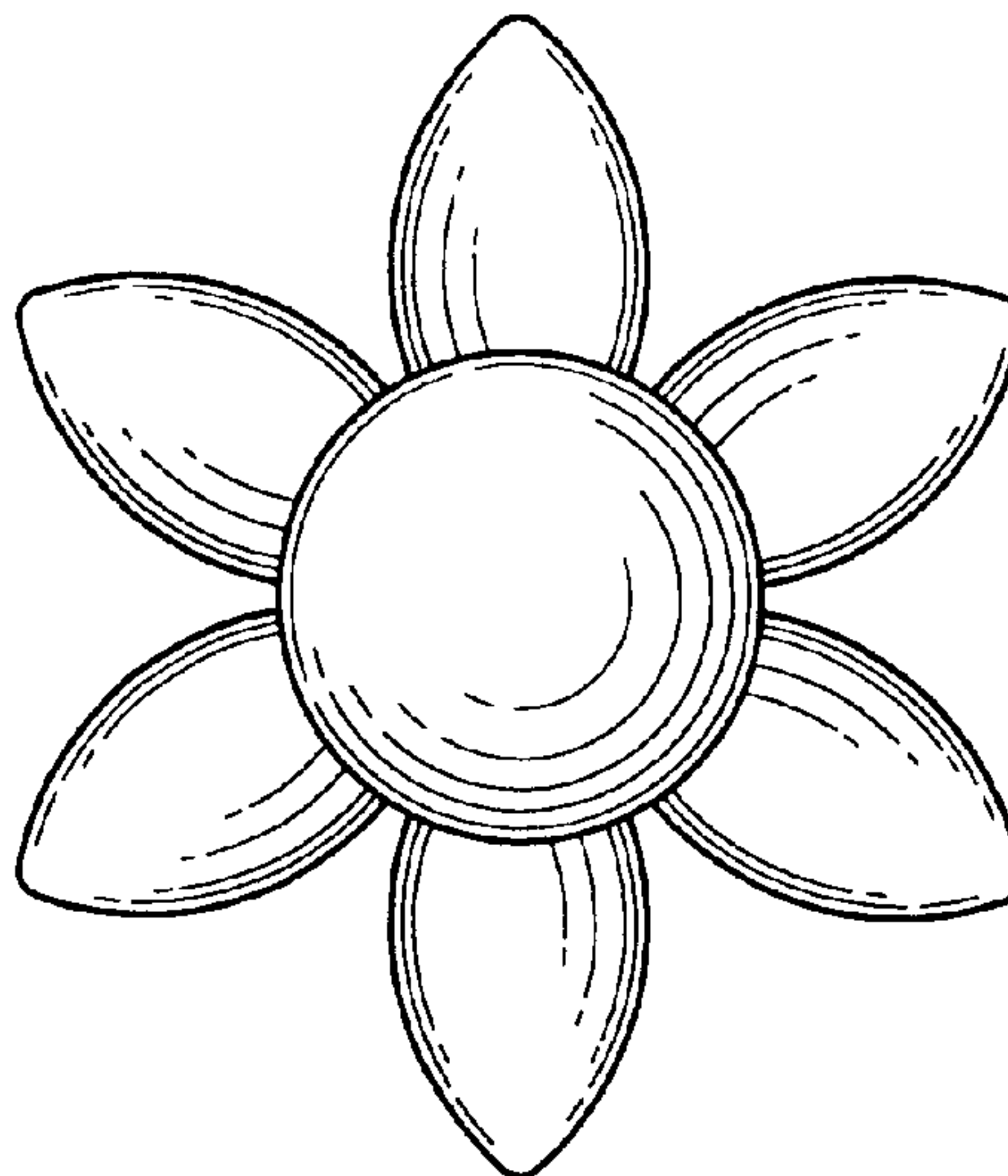
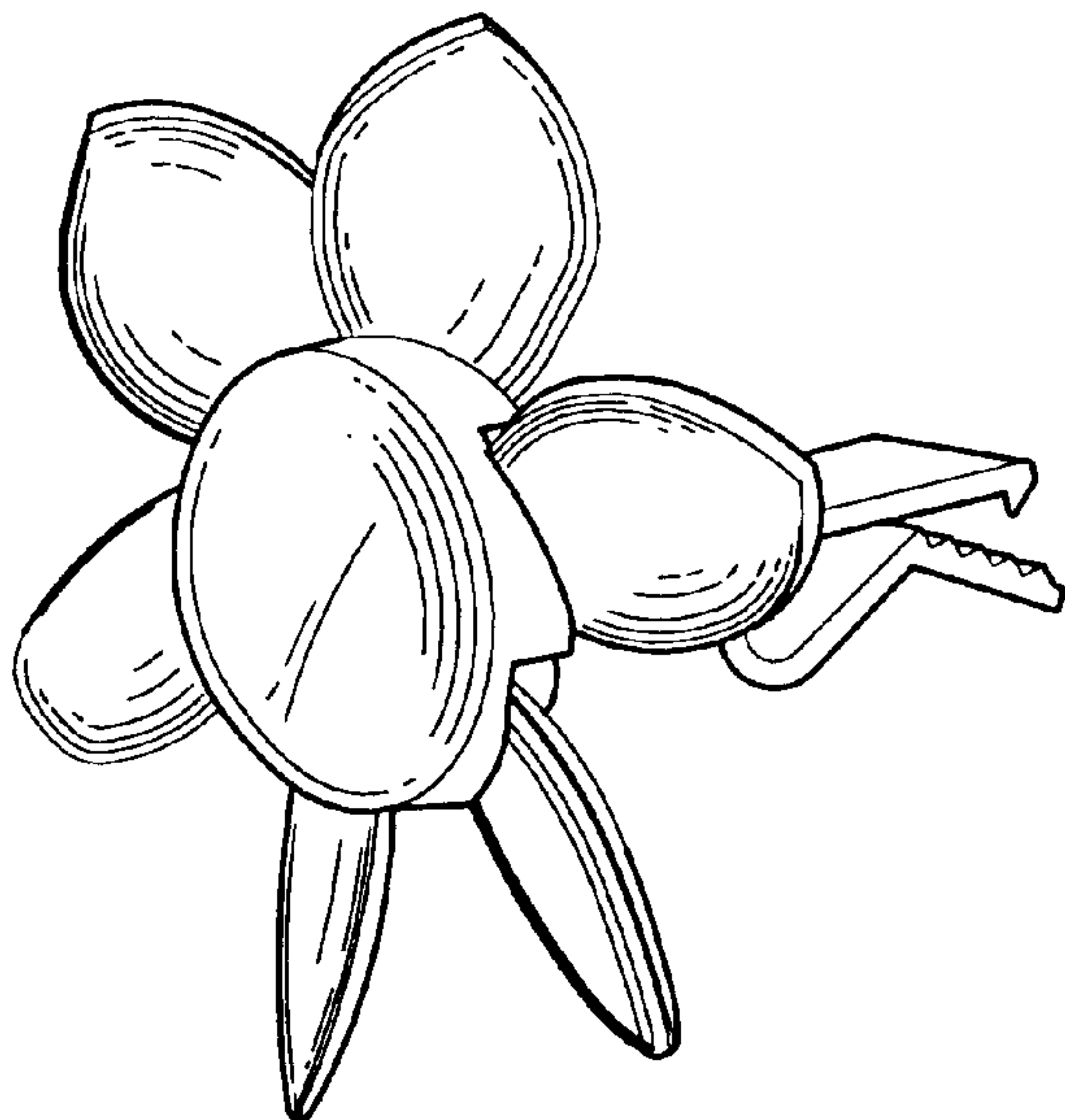
FIG. 6 is a top plan view thereof; and,

U.S. PATENT DOCUMENTS

FIG. 7 is a bottom plan view thereof.

D. 385,344 10/1997 Green D23/367

1 Claim, 2 Drawing Sheets



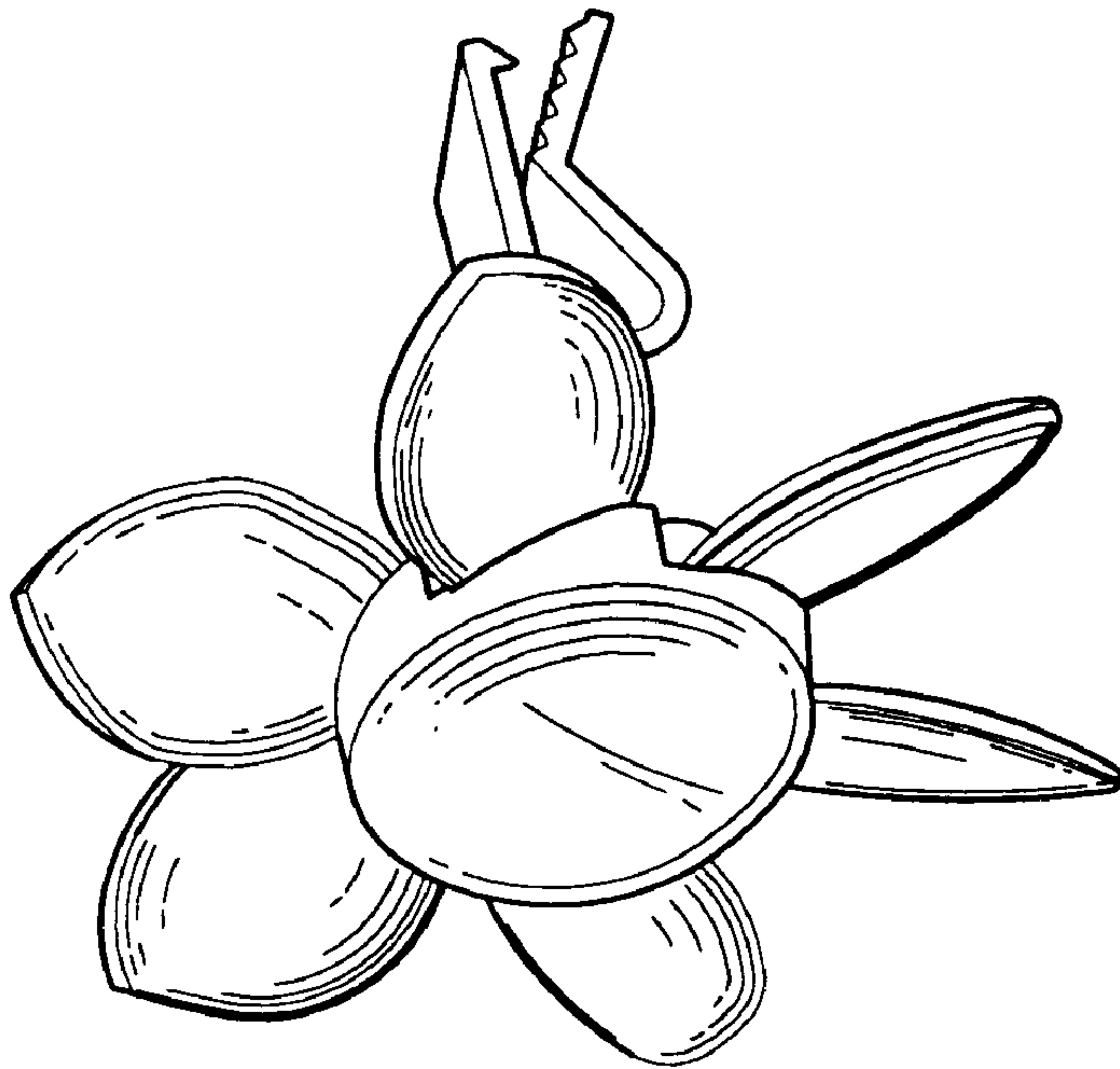


FIG.1

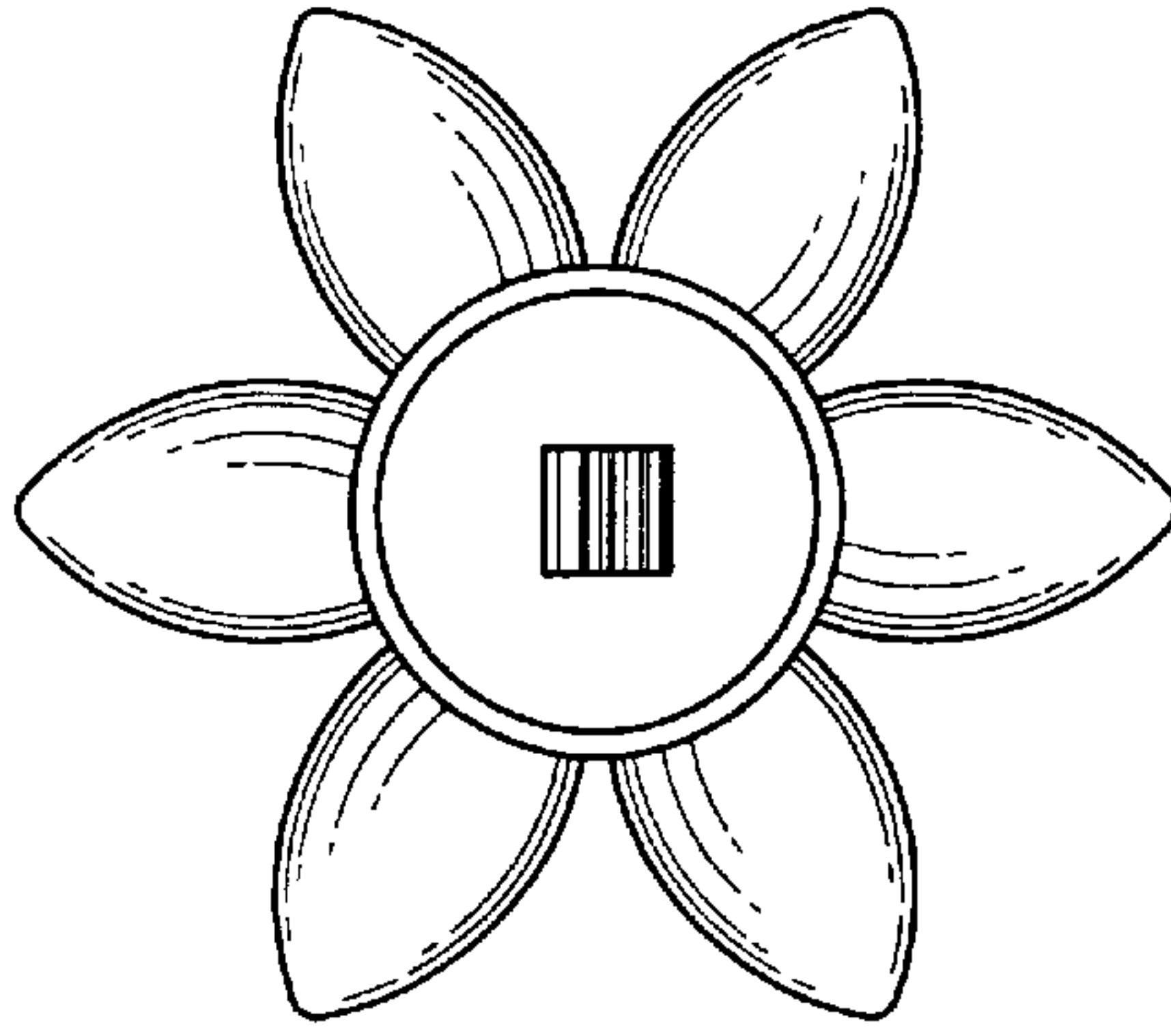


FIG.3

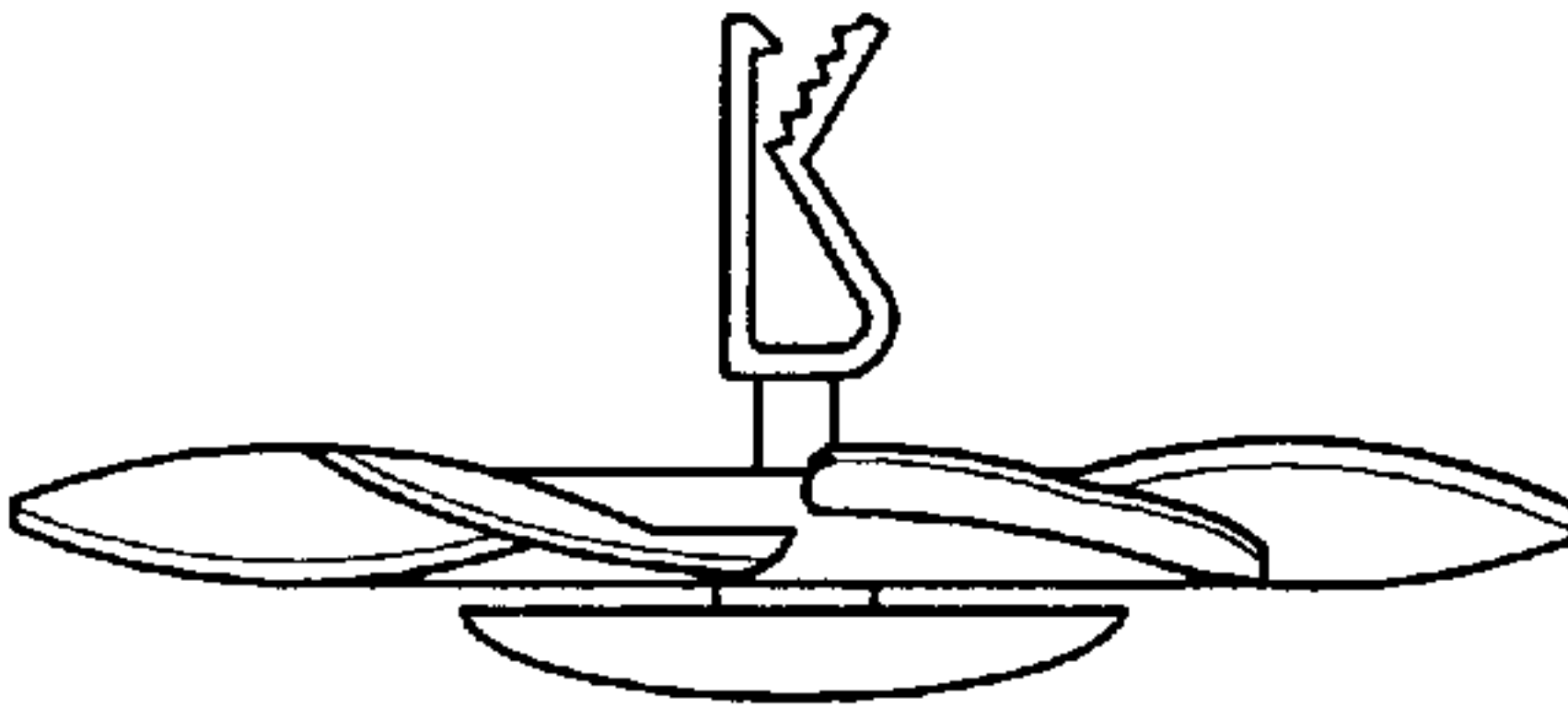


FIG.5

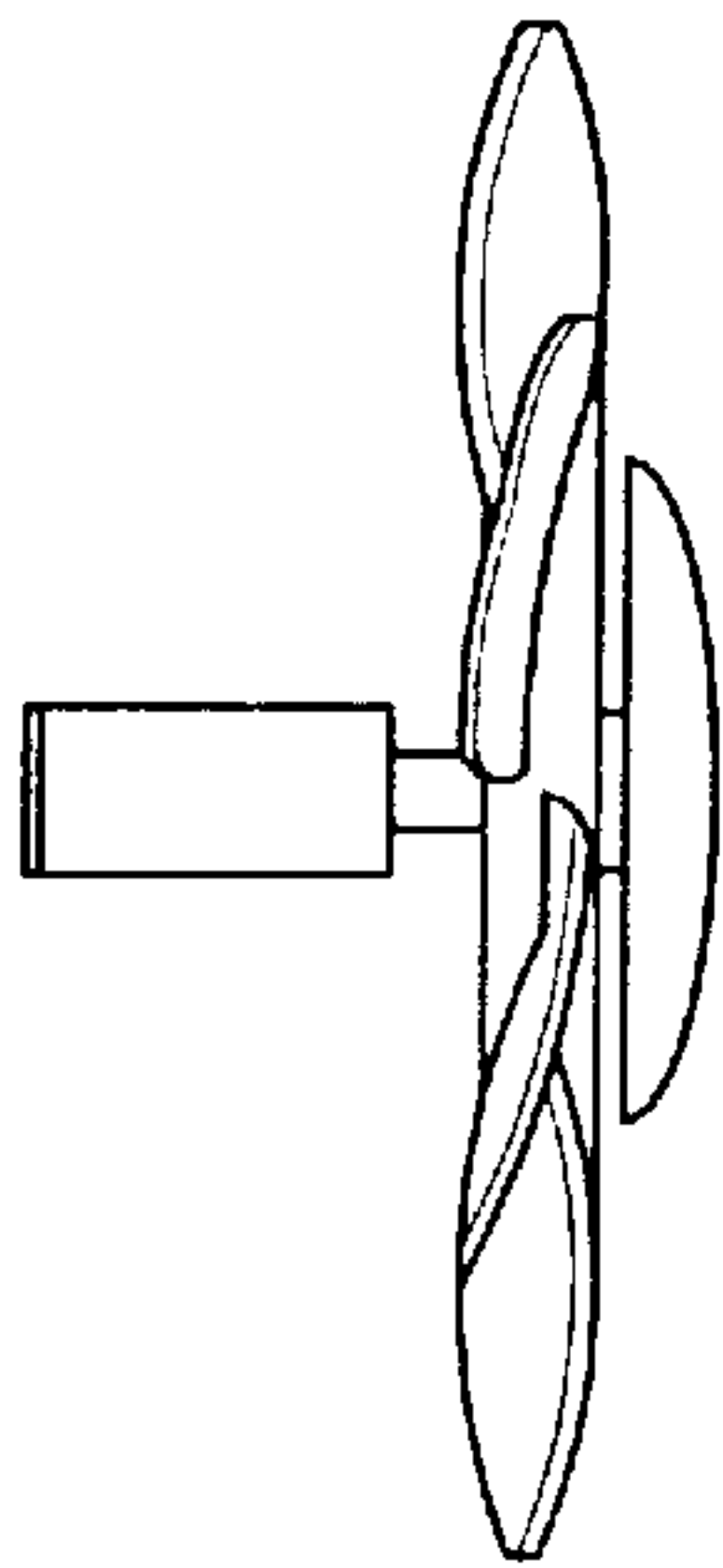


FIG.6

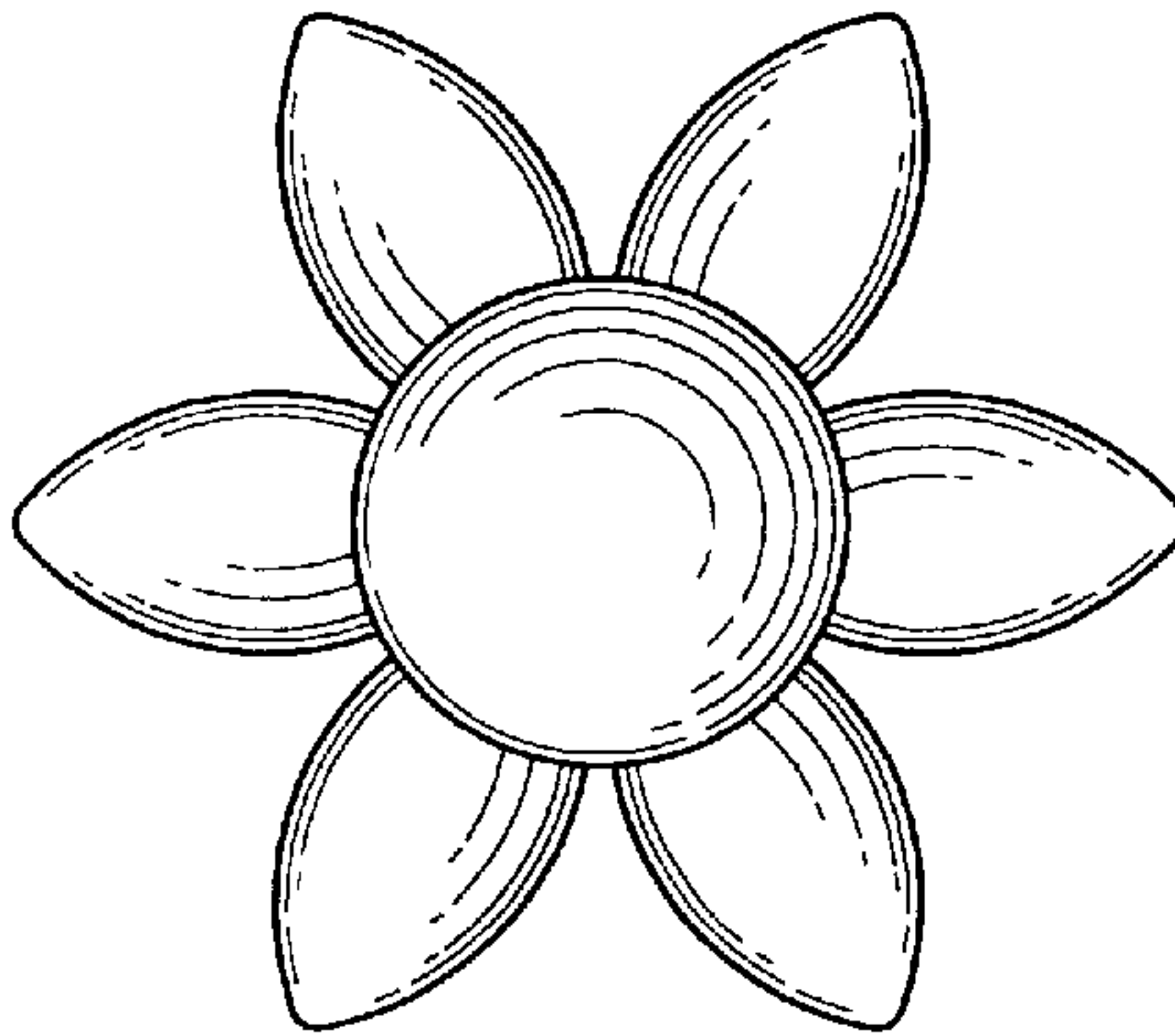


FIG.2

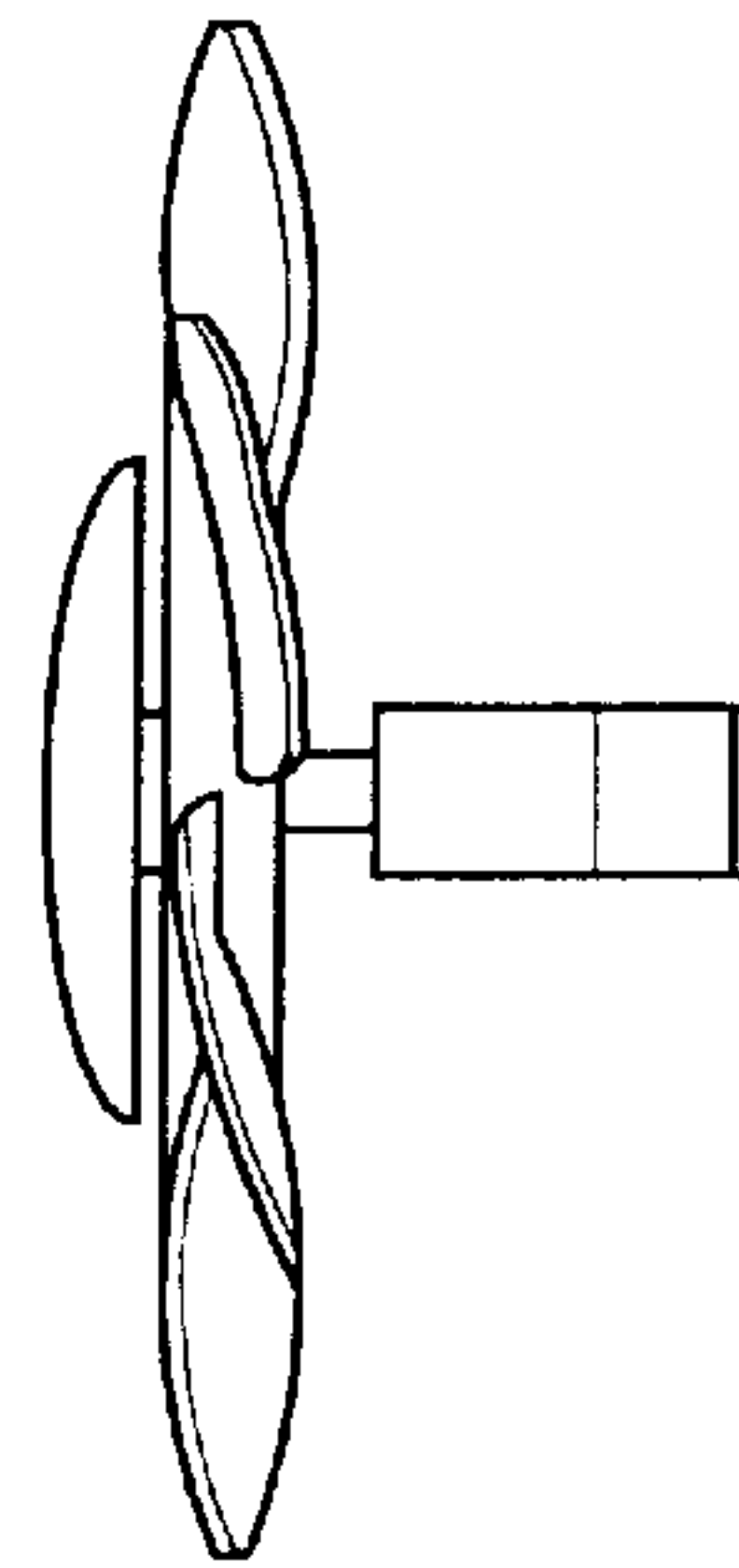


FIG.7

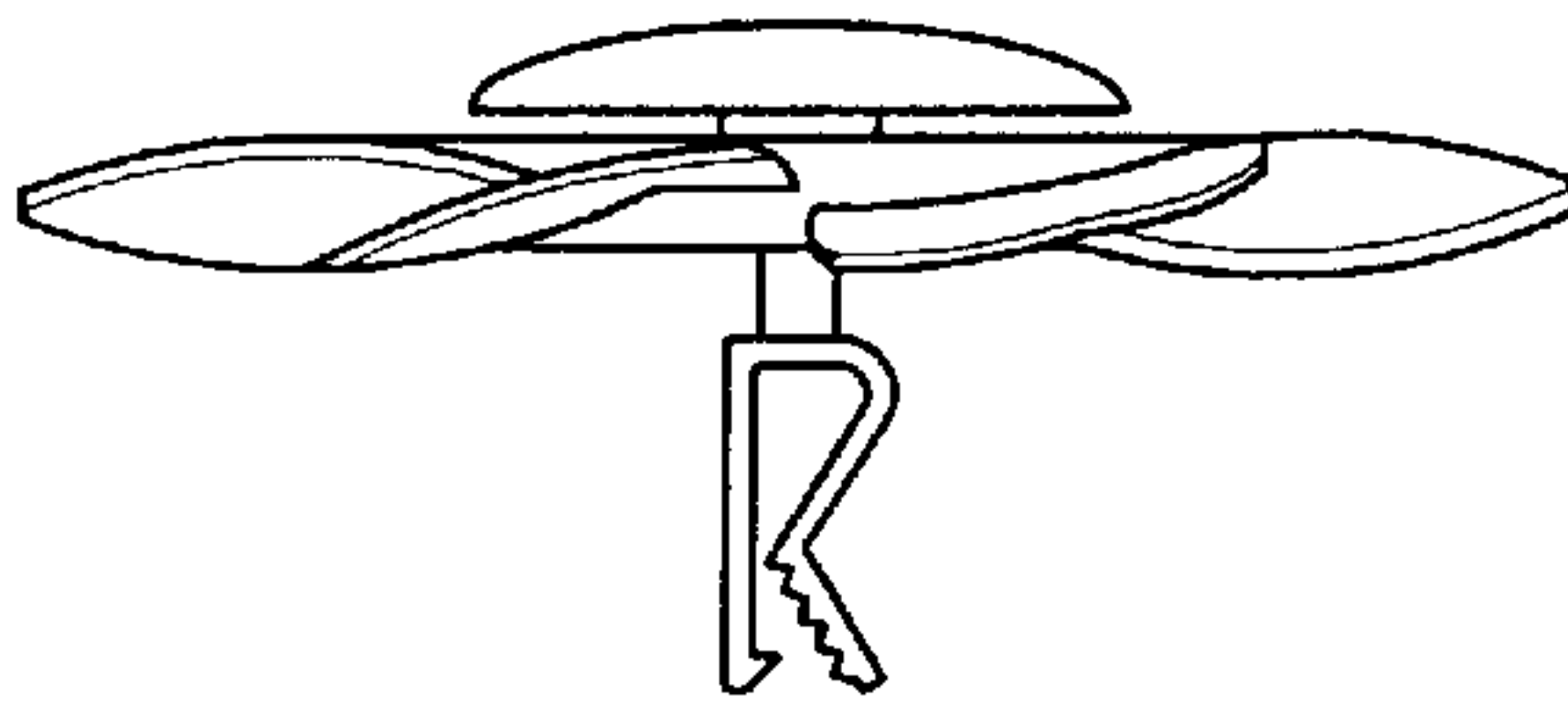


FIG.4