



US00D422345S

# United States Patent [19]

Dixon

[11] Patent Number: Des. 422,345

[45] Date of Patent: \*\* Apr. 4, 2000

[54] **INFANT BATHTUB WITH SLING AND HOOK**

[75] Inventor: **Fredrick P. Dixon**, Roswell, Ga.

[73] Assignee: **Evenflo Company, Inc.**, Vandalia, Ohio

[\*\*] Term: **14 Years**

[21] Appl. No.: **29/095,501**

[22] Filed: **Oct. 23, 1998**

[51] **LOC (6) Cl.** ..... **23-02**

[52] **U.S. Cl.** ..... **D23/278**

[58] **Field of Search** ..... D23/277, 278;  
4/572.1, 573.1, 586, 587, 588

2,358,003 9/1944 De Puy .  
 2,389,362 11/1945 Harper .  
 2,460,308 2/1949 Pribil .  
 2,461,744 2/1949 Lafield .  
 2,487,228 11/1949 Feichtmeir .  
 2,491,223 12/1949 Stadlman .  
 2,495,482 1/1950 Rogatz .  
 2,495,965 1/1950 Gustaveson .  
 2,504,287 4/1950 Ward .  
 2,507,848 5/1950 Bashaw .  
 2,514,767 7/1950 Kennedy .  
 2,531,724 11/1950 Cevasco .  
 2,535,269 12/1950 Boylington .  
 2,547,564 4/1951 Burke .  
 2,547,743 4/1951 Burr et al .

(List continued on next page.)

[56] **References Cited**

**U.S. PATENT DOCUMENTS**

Re. 32,806 12/1988 Gurolnick .  
 D. 149,403 4/1948 Brecher .  
 D. 187,127 2/1960 Smith ..... D23/278  
 D. 188,838 9/1960 Johnson .  
 D. 191,193 8/1961 O'Brien et al .  
 D. 205,992 10/1966 Gardner .  
 D. 288,955 3/1987 Greene ..... D23/278  
 D. 289,319 4/1987 Kujawski et al. .... D23/278  
 D. 299,741 2/1989 Thom ..... D23/278  
 D. 350,597 9/1994 Wise ..... D23/278  
 D. 350,598 9/1994 Wise et al. .... D23/278  
 D. 360,933 8/1995 Crossley et al. .... D23/278  
 D. 370,528 6/1996 Kiester .  
 795,536 7/1905 Neal .  
 1,073,435 9/1913 Owsley .  
 1,296,238 3/1919 Vanderhoof .  
 1,369,638 2/1921 Edmonds et al. .  
 1,512,068 10/1924 Thornburg .  
 1,560,261 11/1925 Kleineschay .  
 1,584,240 5/1926 Mirkin .  
 1,658,944 2/1928 Schaeffer .  
 1,717,441 6/1929 Engel .  
 1,734,462 11/1929 Gottlieb .  
 1,758,071 5/1930 Bleustein .  
 2,089,801 8/1937 Kennedy .  
 2,193,374 3/1940 Notter .  
 2,222,070 11/1940 Graves .  
 2,285,900 6/1942 Chapman .  
 2,323,454 7/1943 Chambers .

**FOREIGN PATENT DOCUMENTS**

41263/93 12/1993 Australia .  
 965770 9/1950 France .  
 1236955 6/1960 France .  
 1439625 8/1966 France .  
 3623095 10/1987 Germany .  
 5289A 7/1894 Sweden .  
 561534 5/1973 Switzerland .  
 WO 88/03000 5/1988 WIPO .

*Primary Examiner*—Doris Clark  
*Assistant Examiner*—Eric Watterson  
*Attorney, Agent, or Firm*—Robert G. Crouch; Holland & Hart LLP

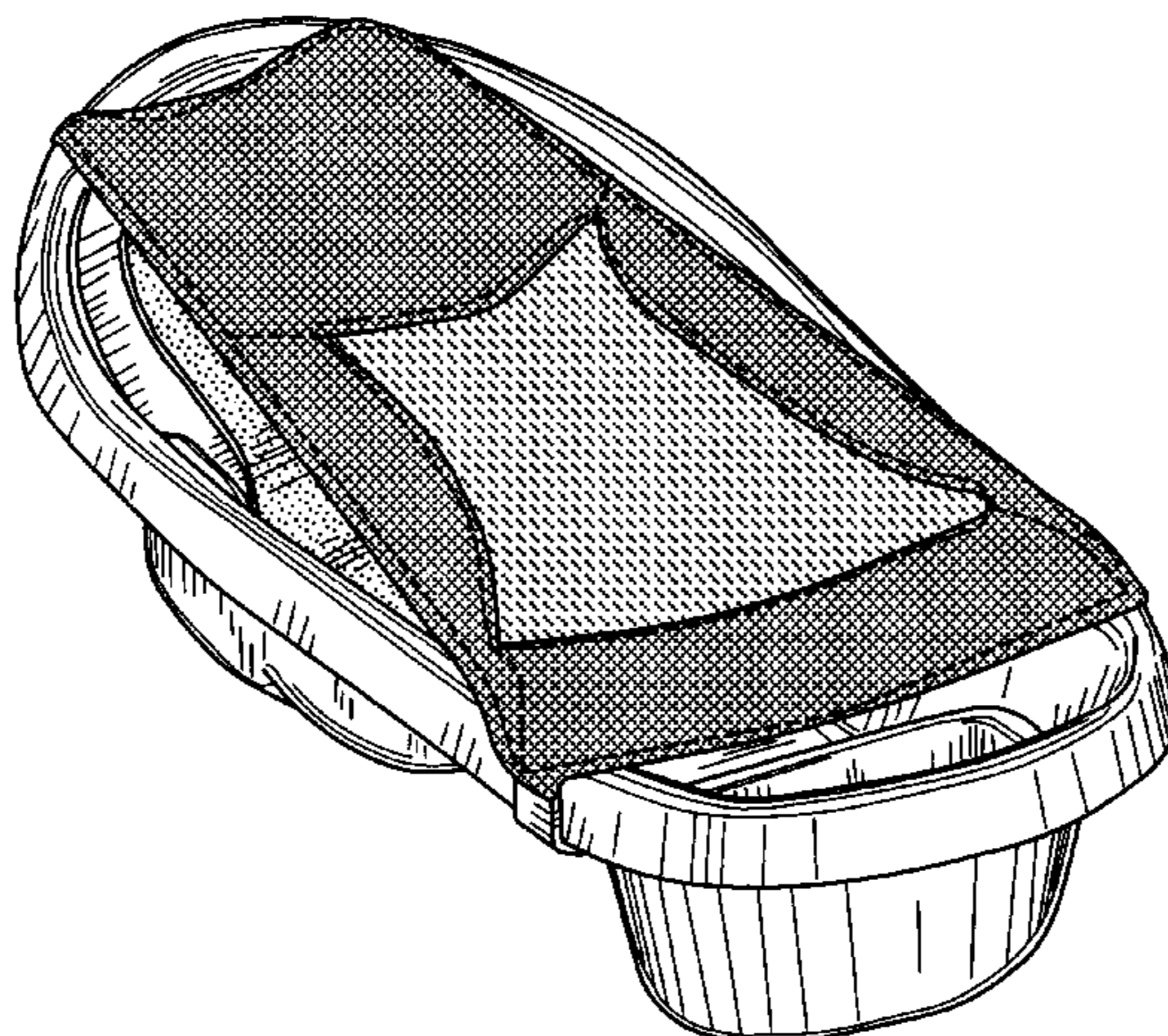
[57] **CLAIM**

The ornamental design for an infant bathtub with sling and hook, as shown and described.

**DESCRIPTION**

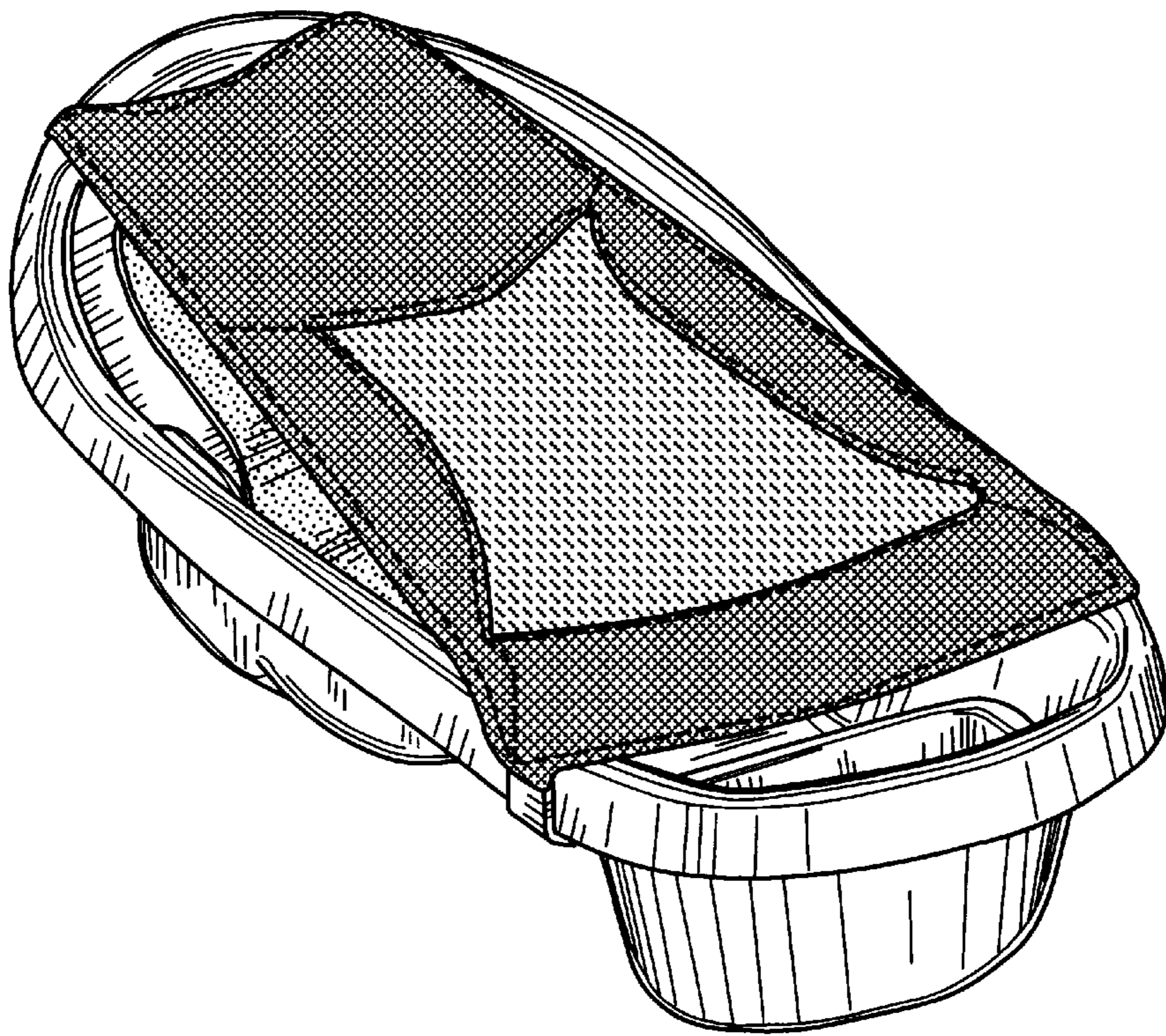
FIG. 1 is a front perspective view of an infant bathtub with sling and hook showing our new design;  
 FIG. 2 is a top plan view thereof;  
 FIG. 3 is a right side elevational view thereof, with the left side elevational view being a mirror image;  
 FIG. 4 is a bottom plan view thereof;  
 FIG. 5 is a front elevational view thereof; and,  
 FIG. 6 is a rear elevational view thereof.

**1 Claim, 3 Drawing Sheets**

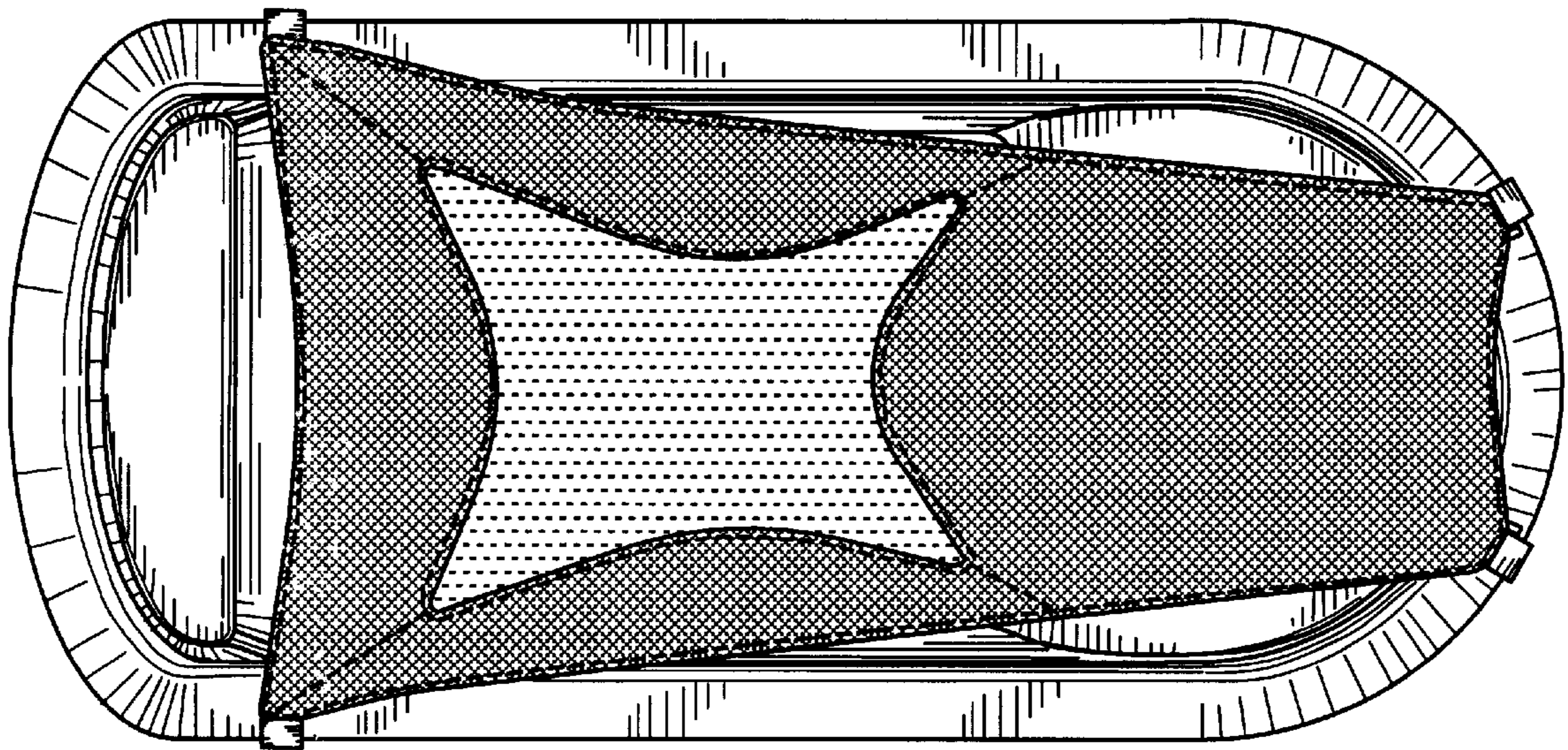


## U.S. PATENT DOCUMENTS

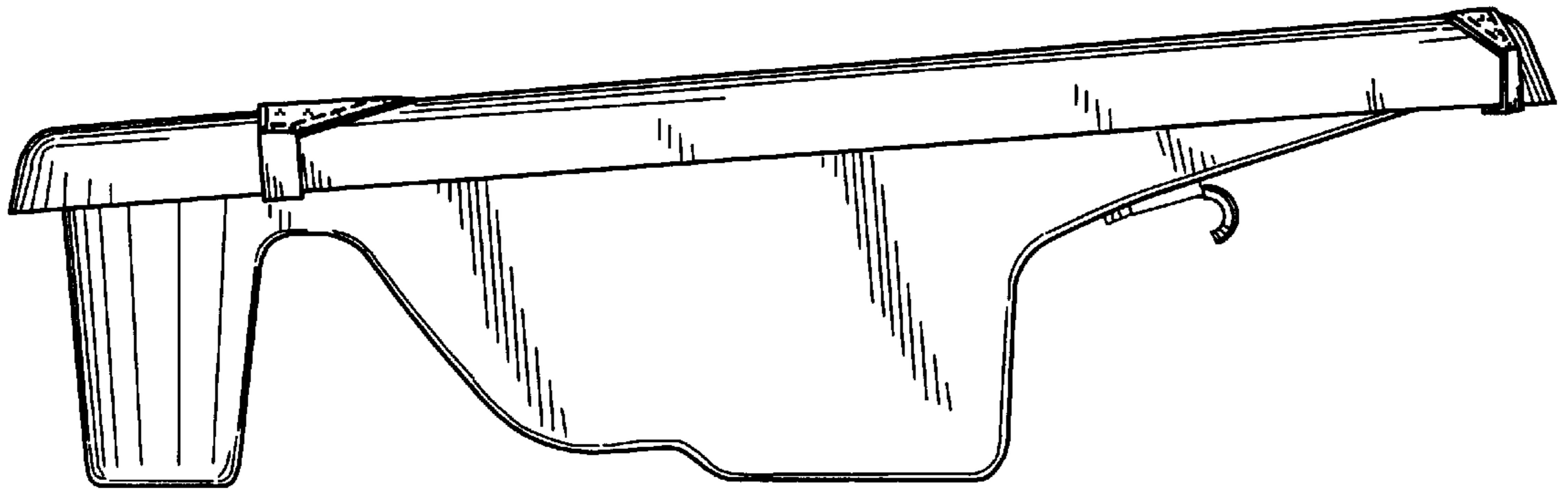
2,548,301	4/1951	Gibson .	3,086,222	4/1963	Hall et al. .
2,560,575	7/1951	Holland, Sr. .	3,235,306	2/1966	Chernivsky .
2,562,628	7/1951	McPeake, Jr. .	3,545,016	12/1970	Schorken .
2,563,076	8/1951	Schreckengost .	3,595,224	7/1971	Walter .
2,607,925	8/1952	De Puy .	4,266,306	5/1981	Lee .
2,644,953	7/1953	Kennedy .	4,602,394	7/1986	Allen et al. .
2,645,782	7/1953	Kennedy .	4,719,653	1/1988	Bishop et al. .
2,724,839	11/1955	Kennedy .	4,974,267	12/1990	Sheu .
2,751,603	6/1956	Brinkman .	5,181,284	1/1993	Raphael et al. .
2,836,833	6/1958	Carlson .	5,271,107	12/1993	Gof .
2,841,798	7/1958	Kennedy .	5,276,926	1/1994	Lopez .
2,854,671	9/1958	Setecka .	5,297,300	3/1994	Sheu .
2,957,184	10/1960	Smith .	5,361,430	11/1994	Wise .
2,973,889	3/1961	Phillips .	5,388,286	2/1995	Davenport .
2,985,889	5/1961	Fain et al. .	5,406,655	4/1995	Sahlin .
3,031,229	4/1962	Symbaluk .	5,425,149	6/1995	Crossley et al. .
3,046,567	7/1962	Jackson .	5,491,850	2/1996	Kiester .
			5,588,159	12/1996	Poulson et al. .



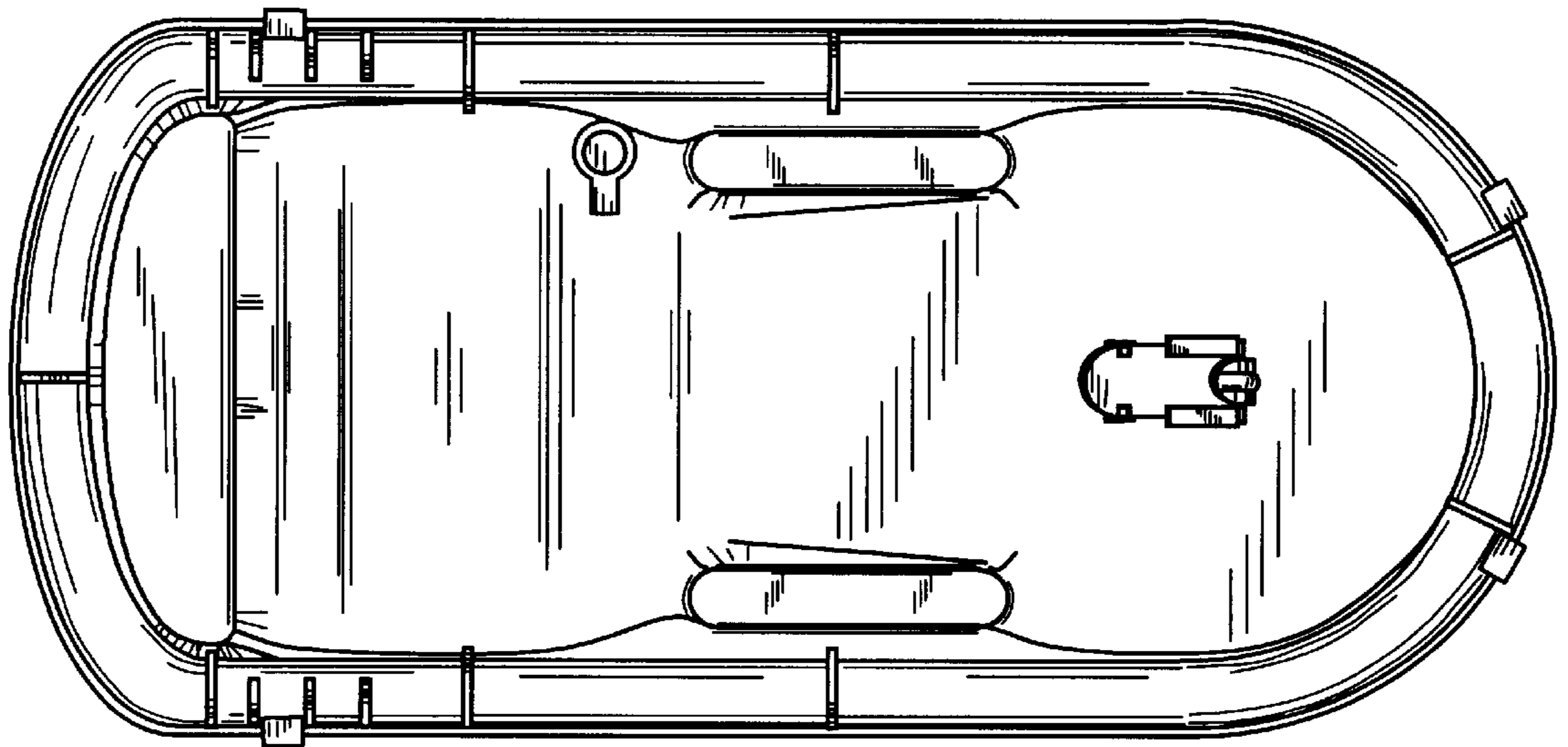
**Fig. 1**



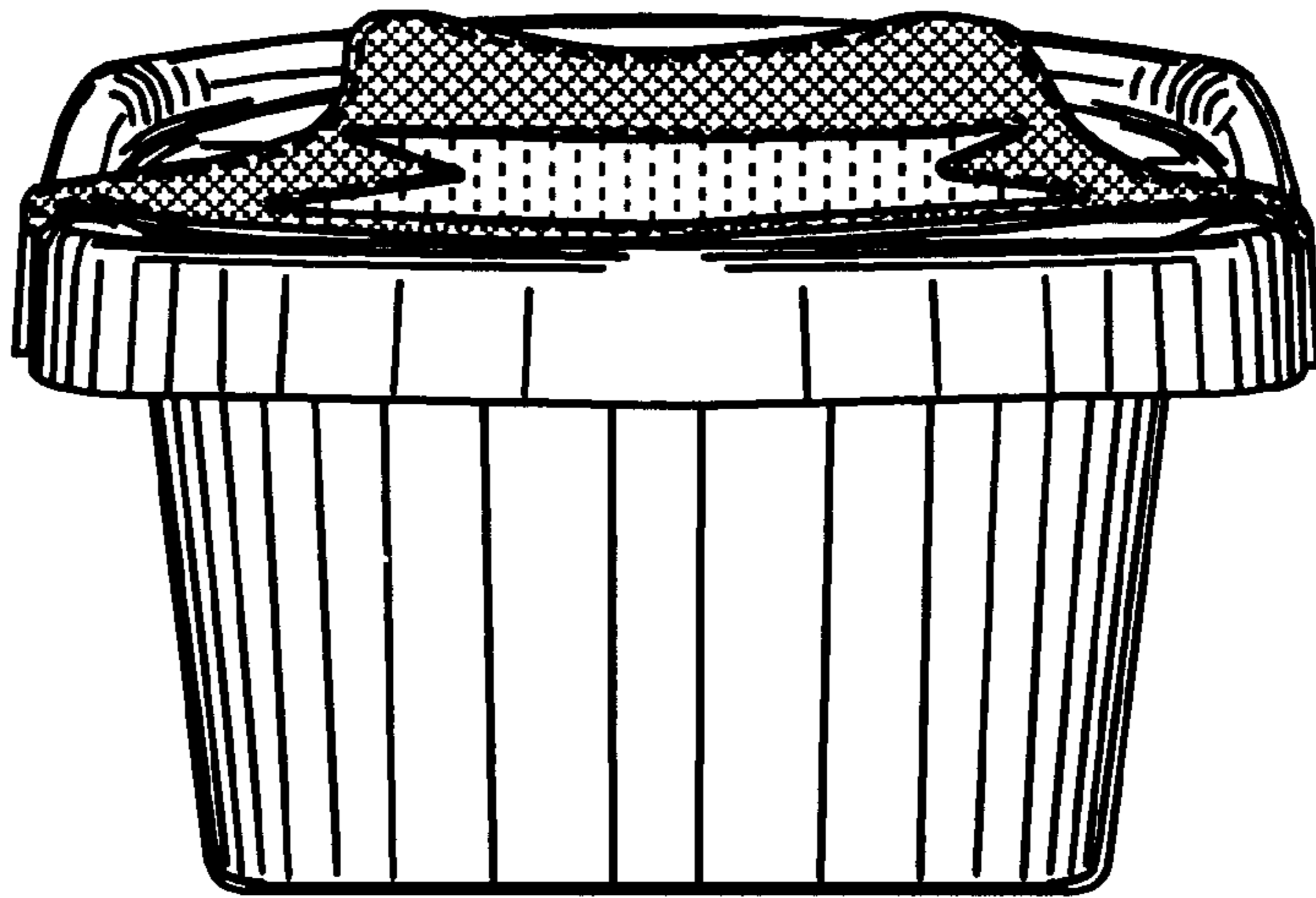
**Fig. 2**



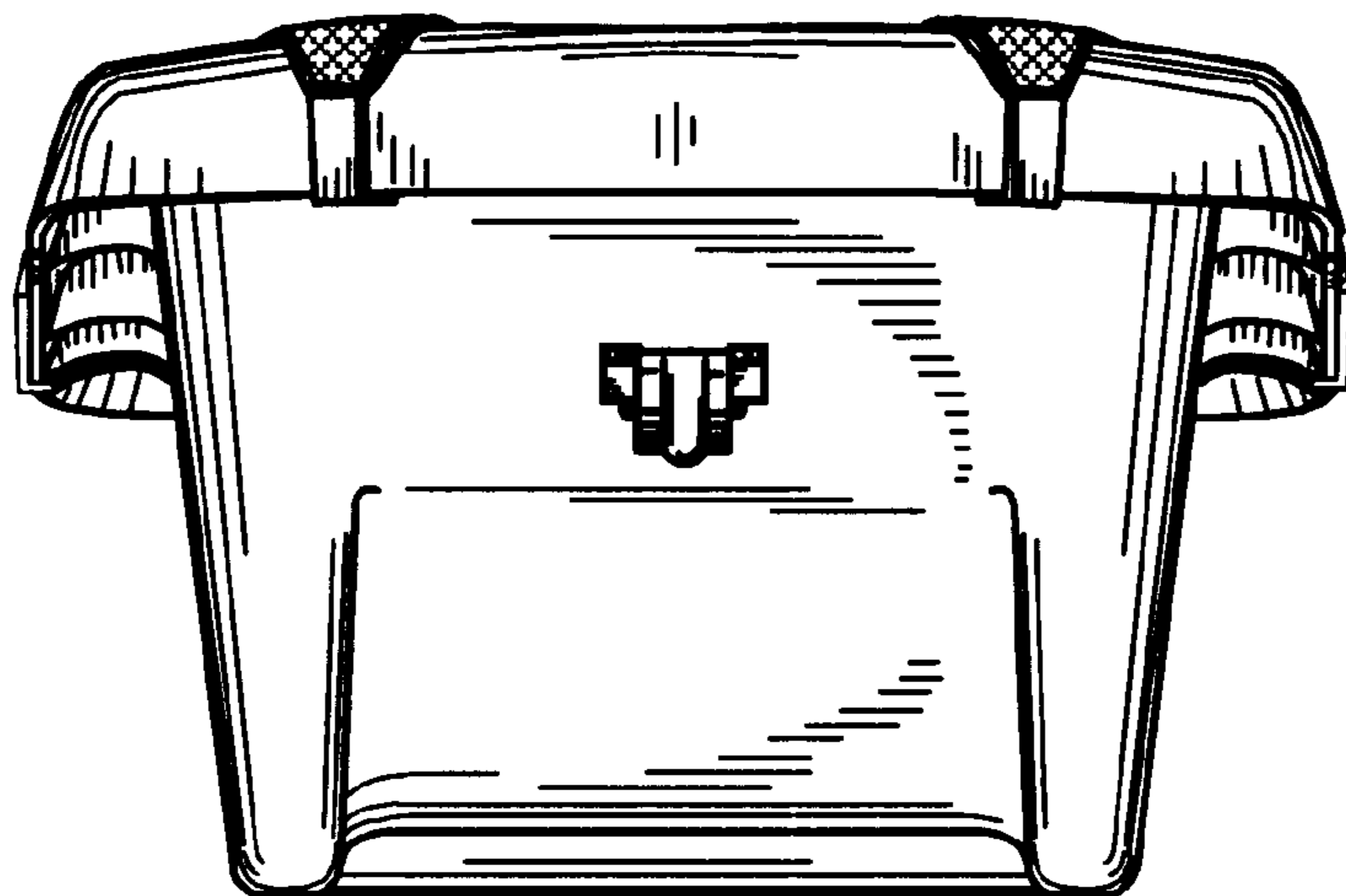
**Fig. 3**



**Fig. 4**



***Fig. 5***



***Fig. 6***