



US00D422343S

**United States Patent** [19]  
**Lord**

[11] **Patent Number: Des. 422,343**  
[45] **Date of Patent: \*\* \*Apr. 4, 2000**

[54] **FAUCET**

**OTHER PUBLICATIONS**

[75] Inventor: **Judd A. Lord**, Carmel, Ind.

Sweet's Catalog File (1980).

[73] Assignee: **Masco Corporation of Indiana**, Indianapolis, Ind.

Kohler pp. 3-36 (admitted prior art).

[\*] Notice: This patent is subject to a terminal disclaimer.

Delta Full Line Catalog—The Way Water is Brought to Life (1992).

[\*\*] Term: **14 Years**

Delta Full Line Price List (admitted prior art).

Euroexclusive: Euromodular (1987).

[21] Appl. No.: **29/080,340**

Delta HDF Catalog (Commercial Products) (1987).

[22] Filed: **Dec. 4, 1997**

Best (admitted prior art).

[51] **LOC (6) Cl. .... 23-01**

Meon—Enduring Elegance (admitted prior art).

[52] **U.S. Cl. .... D23/255**

Delta Full Line Catalog—Living with Classics (admitted prior art).

[58] **Field of Search .... D23/238-243, D23/250-257; 4/675-678; 137/801**

Moen—Fifty Years of Faucet Innovation (admitted prior art).

*Primary Examiner*—Louis S. Zarfes

*Assistant Examiner*—Eric Watterson

*Attorney, Agent, or Firm*—Myron B. Kapustij; Leon E. Redman

[56] **References Cited**

[57] **CLAIM**

The ornamental design for a faucet, as shown and described.

**U.S. PATENT DOCUMENTS**

**DESCRIPTION**

- D. 140,557 3/1945 Stanitz .
- D. 193,885 10/1962 Andrews .
- D. 197,000 11/1963 Landell .
- D. 203,246 12/1965 Harvey et al. .
- D. 213,874 4/1969 Landell .
- D. 219,779 1/1971 Tiller .
- D. 253,799 1/1980 Saporito et al. .
- D. 297,357 8/1988 Spangler .
- D. 297,358 8/1988 Hill .
- D. 363,534 10/1995 Hill et al. .
- D. 363,535 10/1995 Hill et al. .
- D. 364,211 11/1995 Hill et al. .
- D. 364,212 11/1995 Hill et al. .
- D. 365,142 12/1995 Hill et al. .
- D. 367,697 3/1996 Haug et al. .
- D. 367,698 3/1996 Haug et al. .
- D. 367,917 3/1996 Haug et al. .
- D. 367,918 3/1996 Haug et al. .
- D. 368,956 4/1996 Haug et al. .
- 3,035,612 5/1962 Lyon .
- 3,202,181 8/1965 West .
- 4,804,010 2/1989 Meissenburg .

FIG. 1 is a front perspective view of a faucet showing my new design;

FIG. 2 is a rear perspective view thereof;

FIG. 3 is a top plan view thereof;

FIG. 4 is a front elevational view thereof;

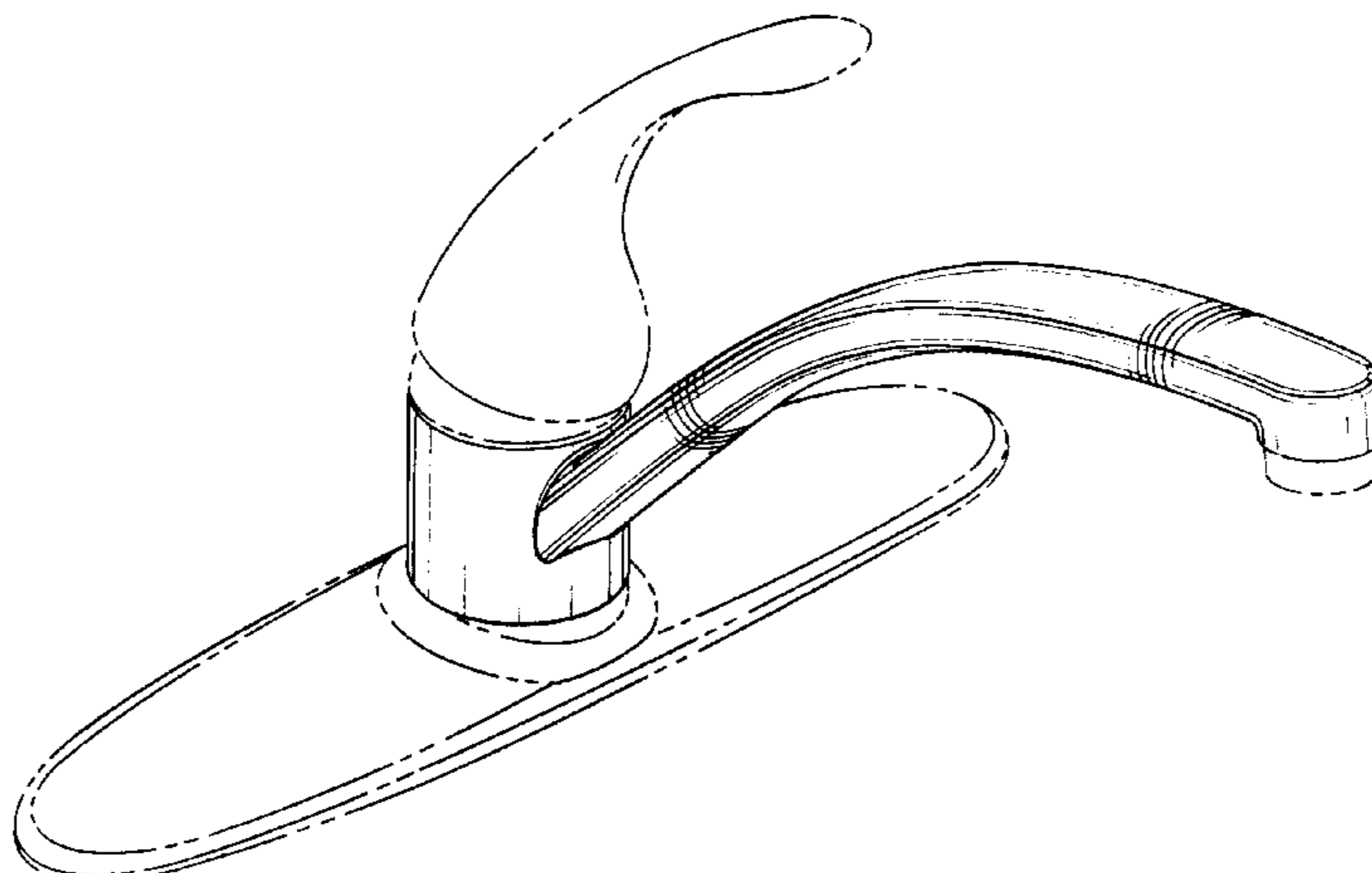
FIG. 5 is a right side elevational view thereof, the left side being a mirror image;

FIG. 6 is a rear elevational view thereof; and,

FIG. 7 is a bottom plan view thereof.

The broken line showings of the aerator in FIGS. 1-2, 4-5 and 7, of the handle in FIGS. 1, 4-5 and 7, of the bonnet nut in FIGS. 1 and 4-5, and of the escutcheon in FIGS. 1-6 are purposes of illustration only and forms no part of the claimed design.

**1 Claim, 4 Drawing Sheets**



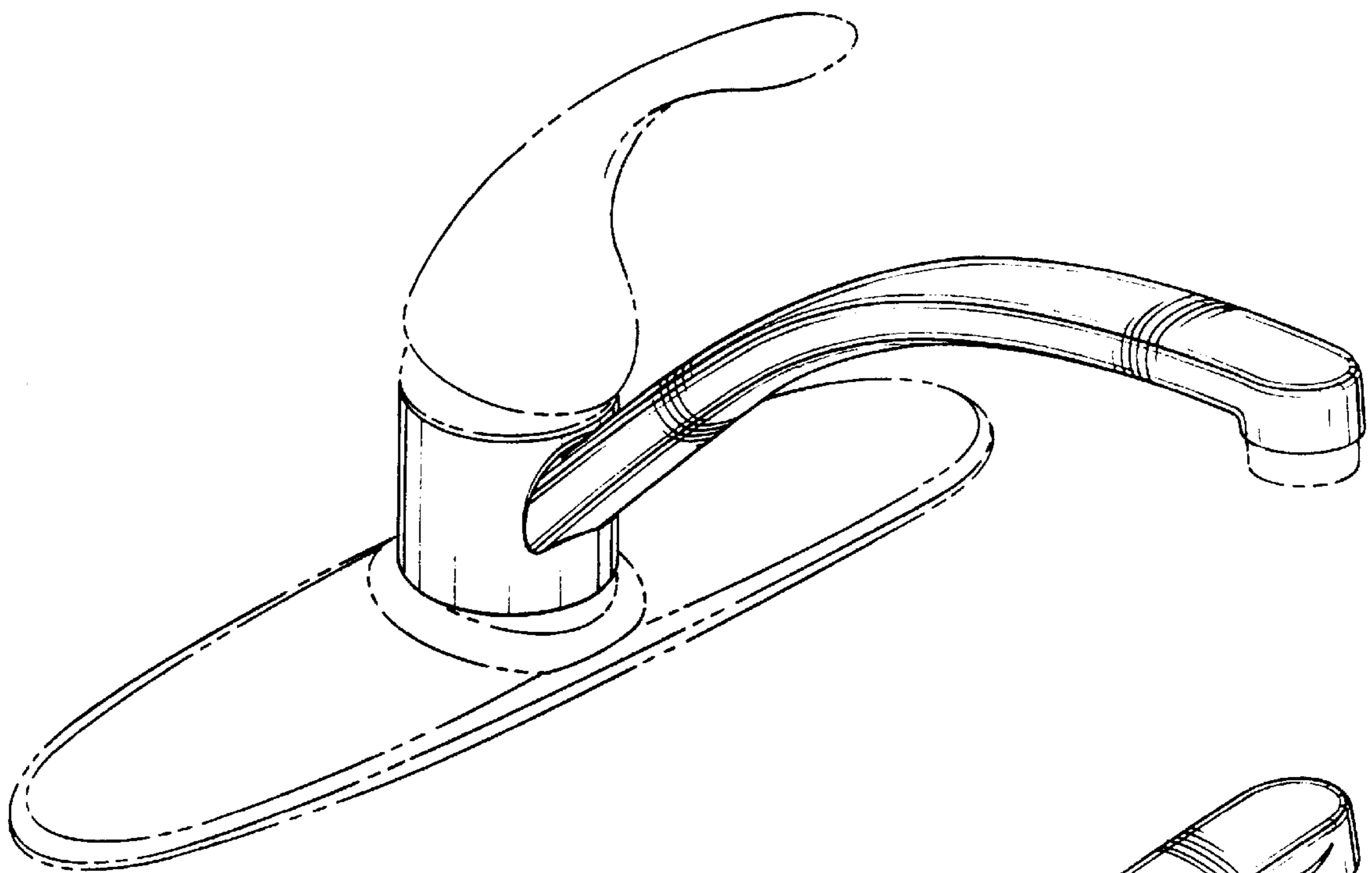


FIG-1

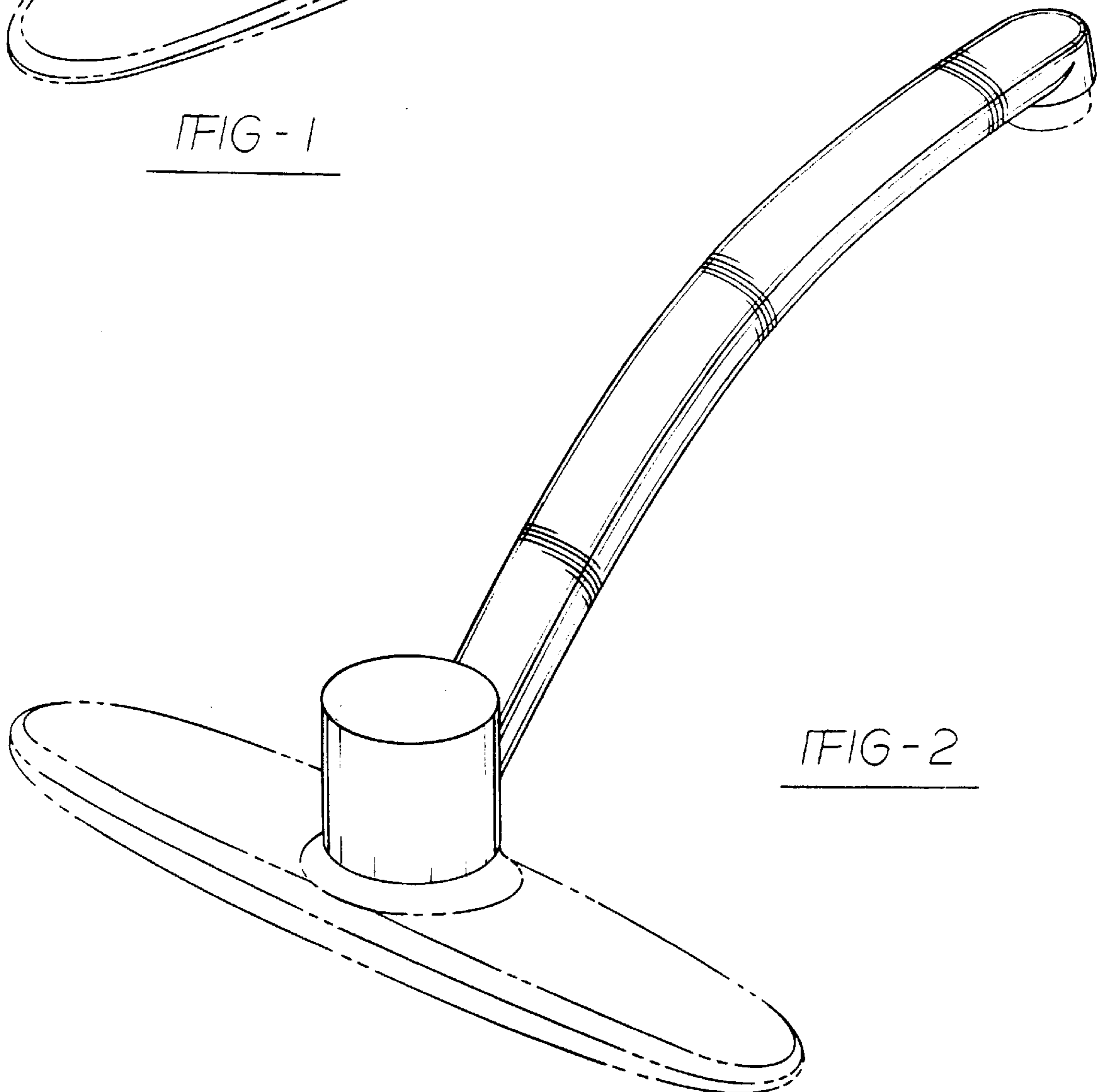


FIG-2

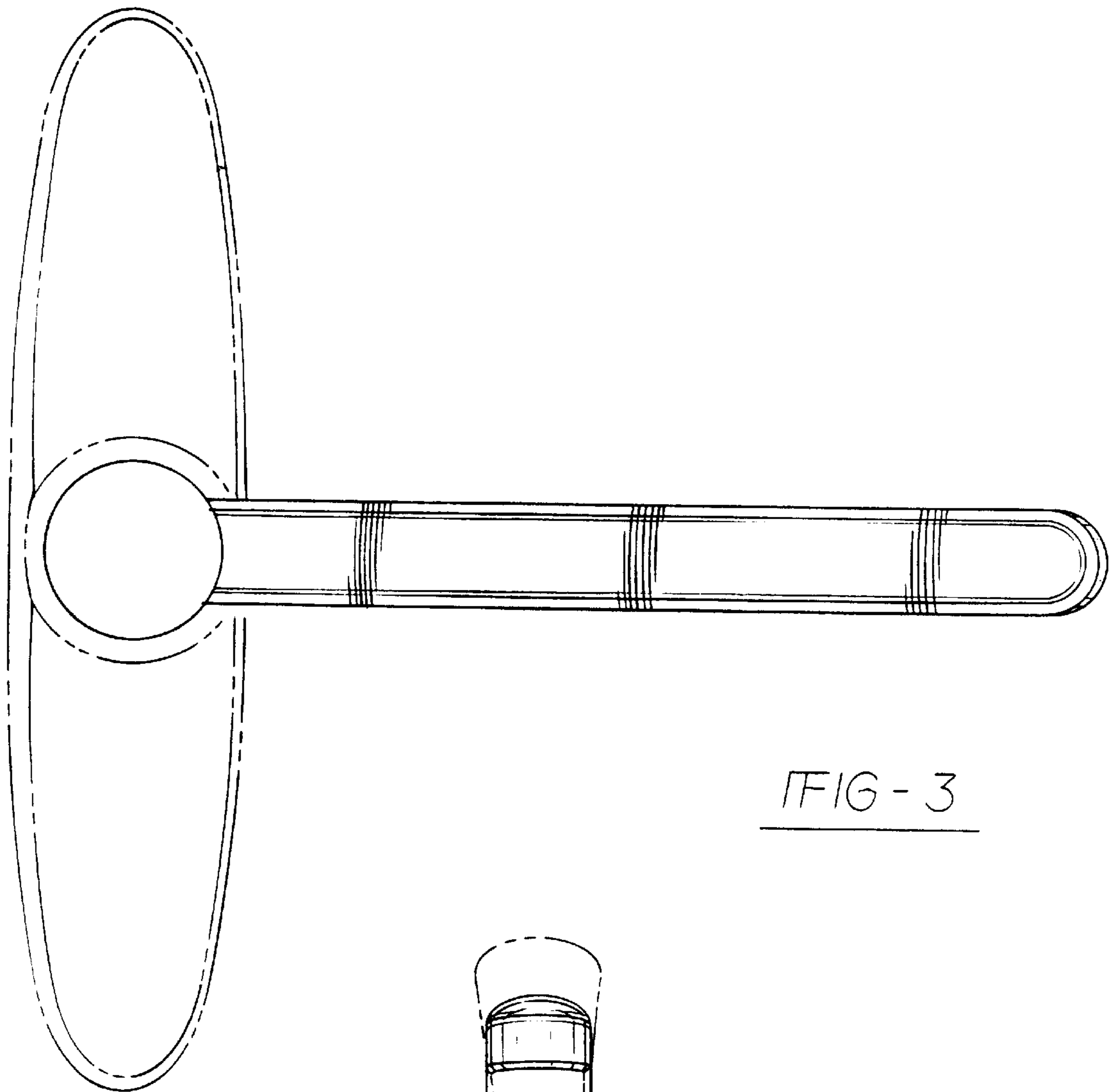


FIG-3

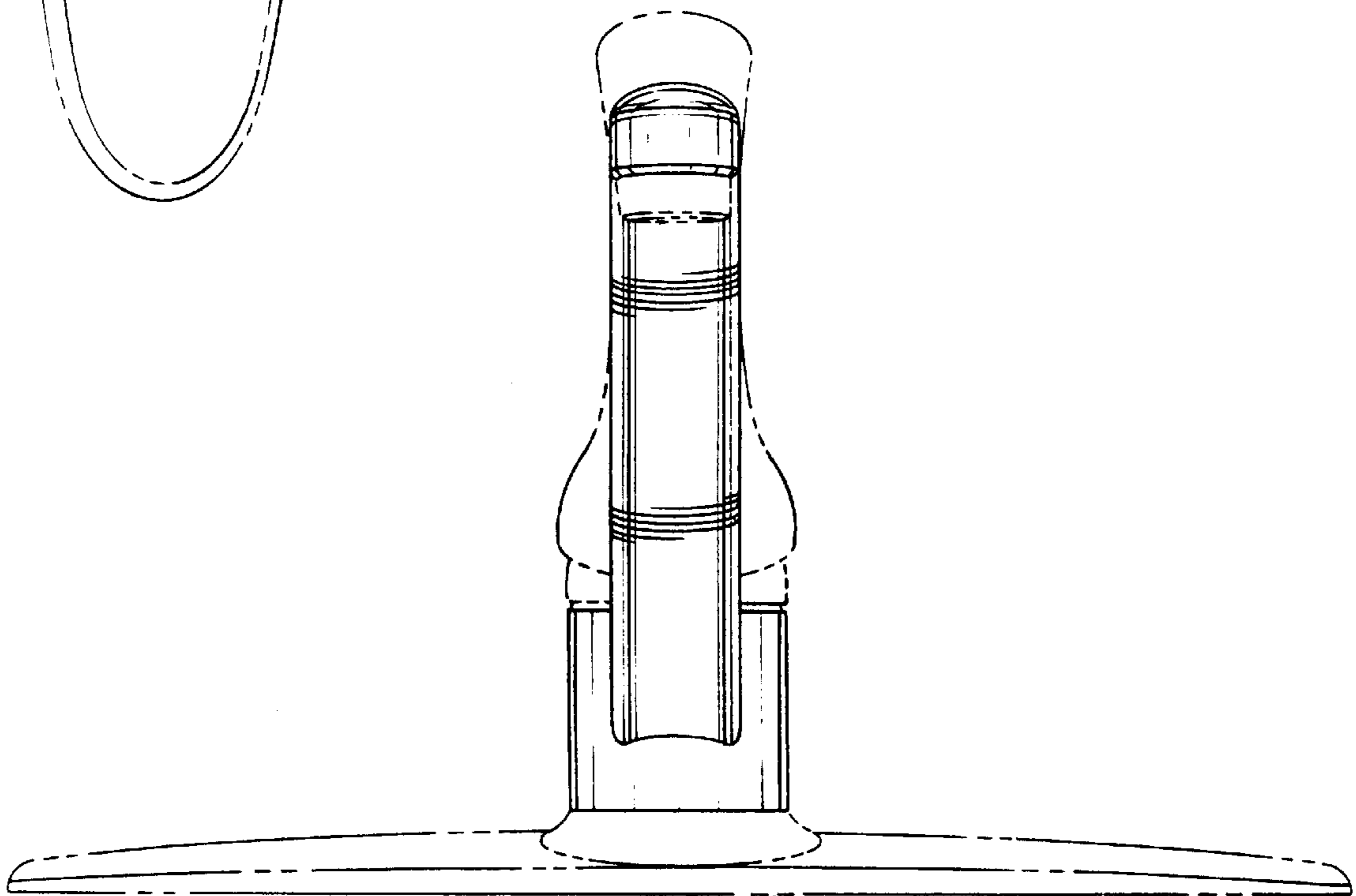


FIG-4

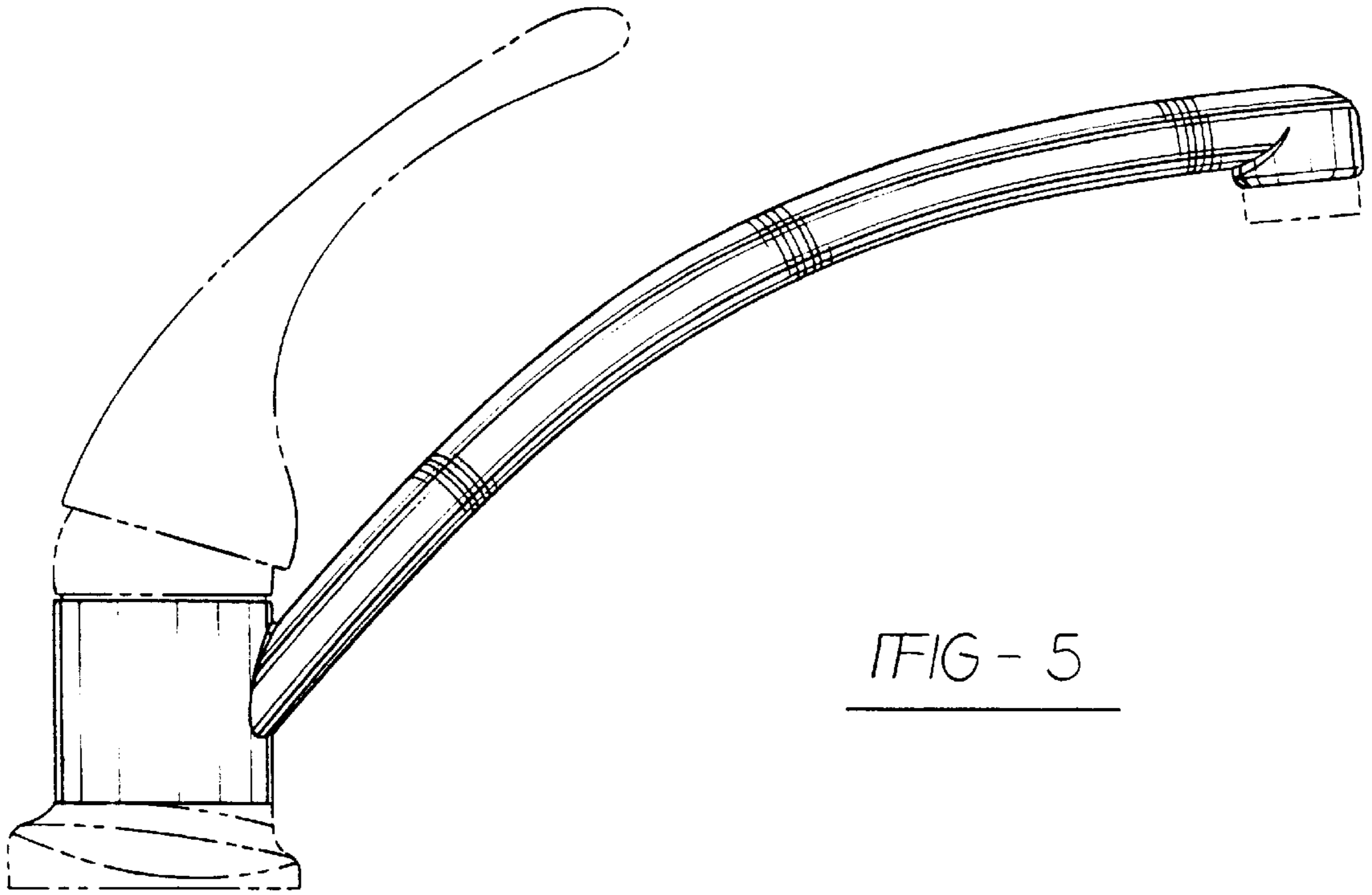


FIG - 5

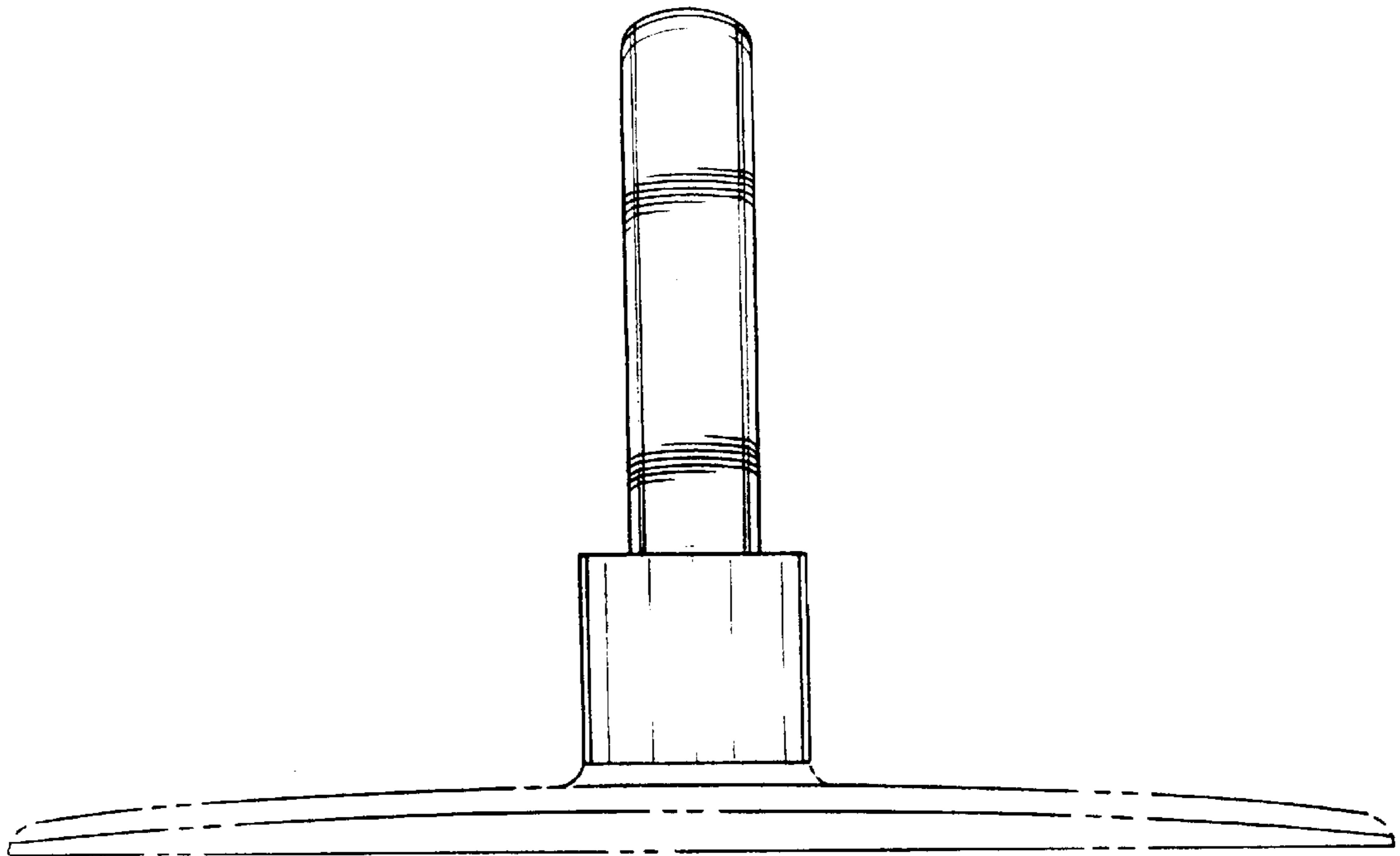


FIG - 6

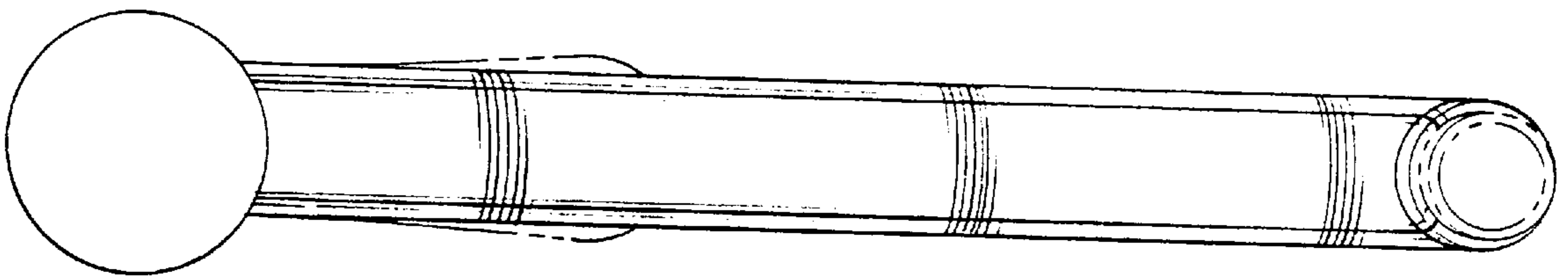


FIG - 7