



US00D422341S

United States Patent [19]

Slothower et al.

[11] Patent Number: Des. 422,341

[45] Date of Patent: ** Apr. 4, 2000

[54] FAUCET BODY

[75] Inventors: **Erich D. Slothower**, Sheboygan;
Douglas S. Schaefer, Port Washington,
both of Wis.

[73] Assignee: **Kohler Co.**, Kohler, Wis.

[**] Term: **14 Years**

[21] Appl. No.: **29/077,373**

[22] Filed: **Sep. 23, 1997**

Related U.S. Application Data

[63] Continuation-in-part of application No. 29/065,414, Jan. 29, 1997, abandoned.

[51] **LOC (6) Cl.** **23-01**

[52] **U.S. Cl.** **D23/238**

[58] **Field of Search** D23/238-243,
D23/250-257; 4/675-678; 137/801

[56] References Cited

U.S. PATENT DOCUMENTS

D. 187,846	5/1960	Brown	D23/241
D. 193,757	10/1962	Armstrong	D23/238
D. 193,922	10/1962	Ross	D23/238
D. 204,441	4/1966	Harvey	D23/238
D. 258,518	3/1981	Thevenot	D23/238
D. 322,306	12/1991	Kohler, Jr.	D23/238
D. 325,423	4/1992	Kolada et al.	D23/238
D. 349,153	7/1994	Souter et al.	D23/238

OTHER PUBLICATIONS

- Undated Sterling ad showing 04 Series lavatory faucets, admitted prior art.
- 1988 Kohler catalog ad, pp. 3-34 showing "Centura" lavatory faucet.
- 1988 Pegler ad showing a "push" -type faucet handle.
- 1994 Kohler catalog ad showing "push" -type faucet handle (K-7490).

Primary Examiner—Louis S. Zarfes
Assistant Examiner—Eric Watterson
Attorney, Agent, or Firm—Quarles & Brady LLP

[57] CLAIM

The ornamental design for a faucet body, as shown and described.

DESCRIPTION

FIG. 1 is a left, top, front perspective view of a plumbing faucet body embodying our new design;
 FIG. 2 is a front elevational view thereof;
 FIG. 3 is a left side elevational view thereof, the right side elevational view being a mirror image of the left side shown;
 FIG. 4 is a rear elevational view thereof;
 FIG. 5 is a top plan view thereof;
 FIG. 6 is a bottom plan view thereof and of the FIG. 7 and FIG. 12 embodiments;
 FIG. 7 is a left, top, front perspective view of a second embodiment;
 FIG. 8 is a front elevational view thereof;
 FIG. 9 is a left side elevational view thereof, the right side elevational view being a mirror image of the left side shown;
 FIG. 10 is a rear elevational view thereof;
 FIG. 11 is a top plan view thereof, the bottom plan view being identical to that shown in FIG. 6;
 FIG. 12 is a left, top, front perspective view of a third embodiment;
 FIG. 13 is a front elevational view thereof;
 FIG. 14 is a left side elevational view thereof, the right side elevational view being a mirror image of the left side shown;
 FIG. 15 is a rear elevational view thereof; and,
 FIG. 16 is a top plan view thereof, the bottom plan view being identical to that shown in FIG. 6.

The broken line representations of a lavatory top in FIGS. 1, 7, and 12, and of holes in FIG. 6, are for the purpose of illustration only, and form no part of the claimed design.

1 Claim, 9 Drawing Sheets

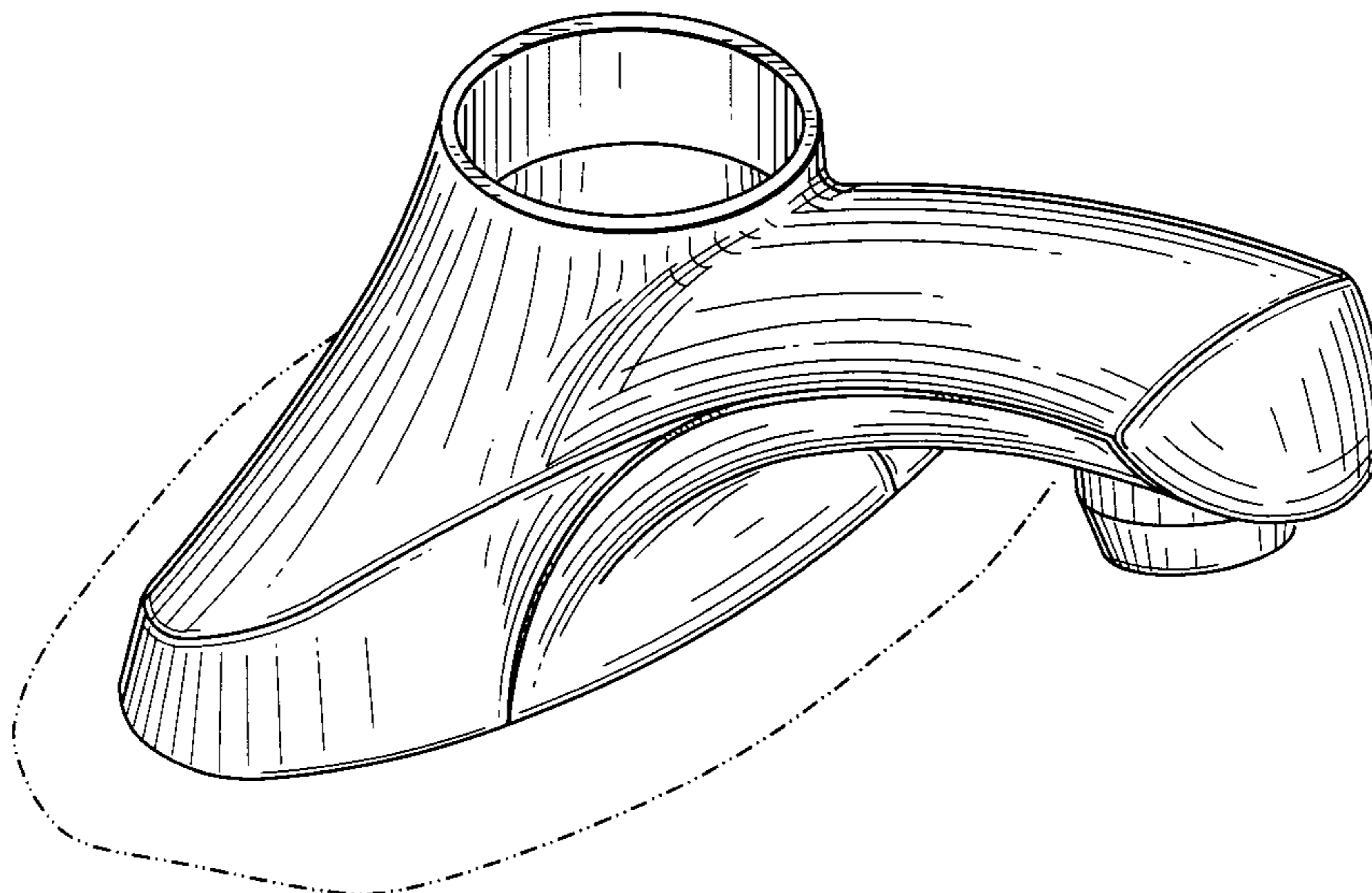


FIG. 1

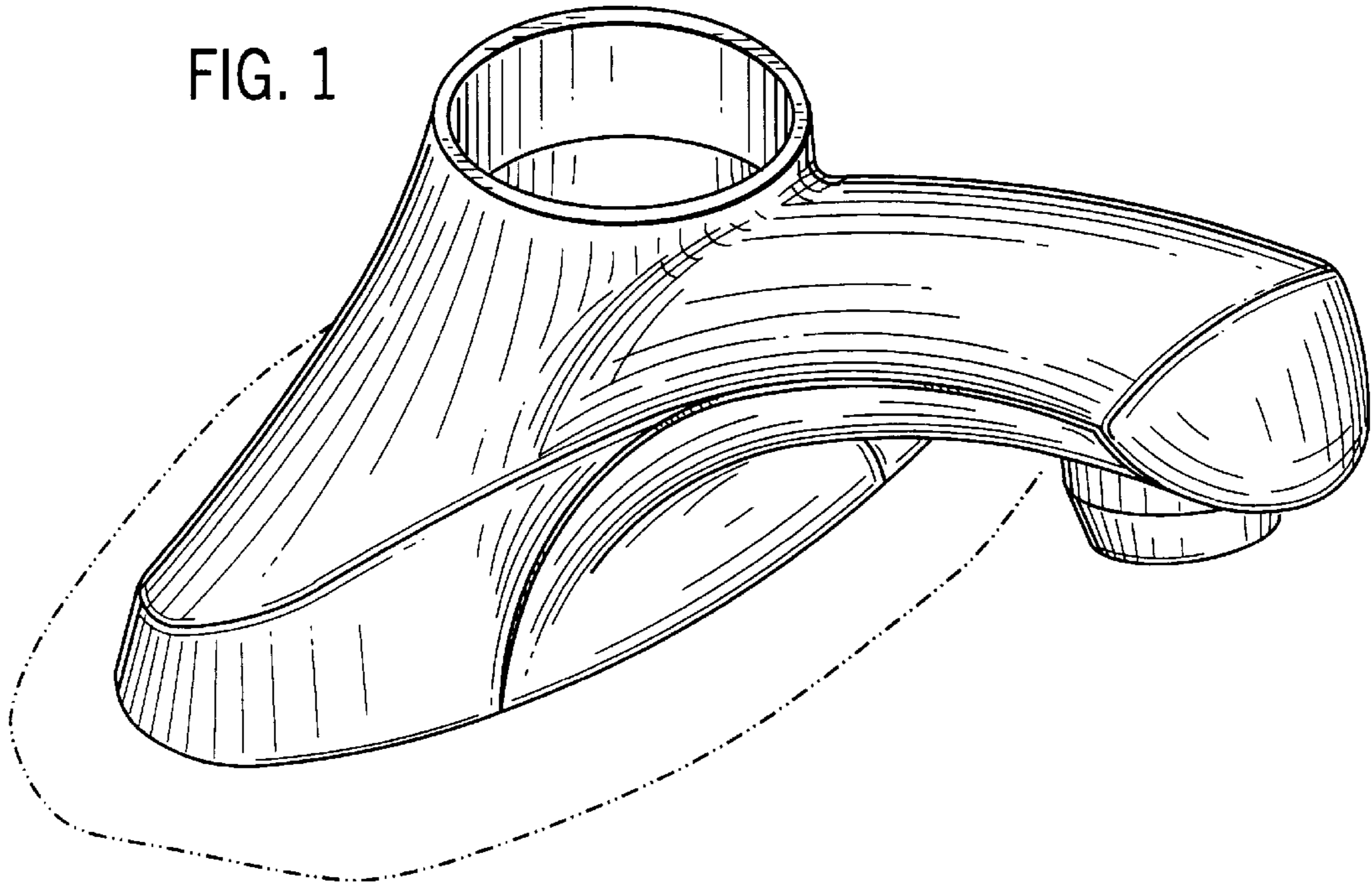


FIG. 2

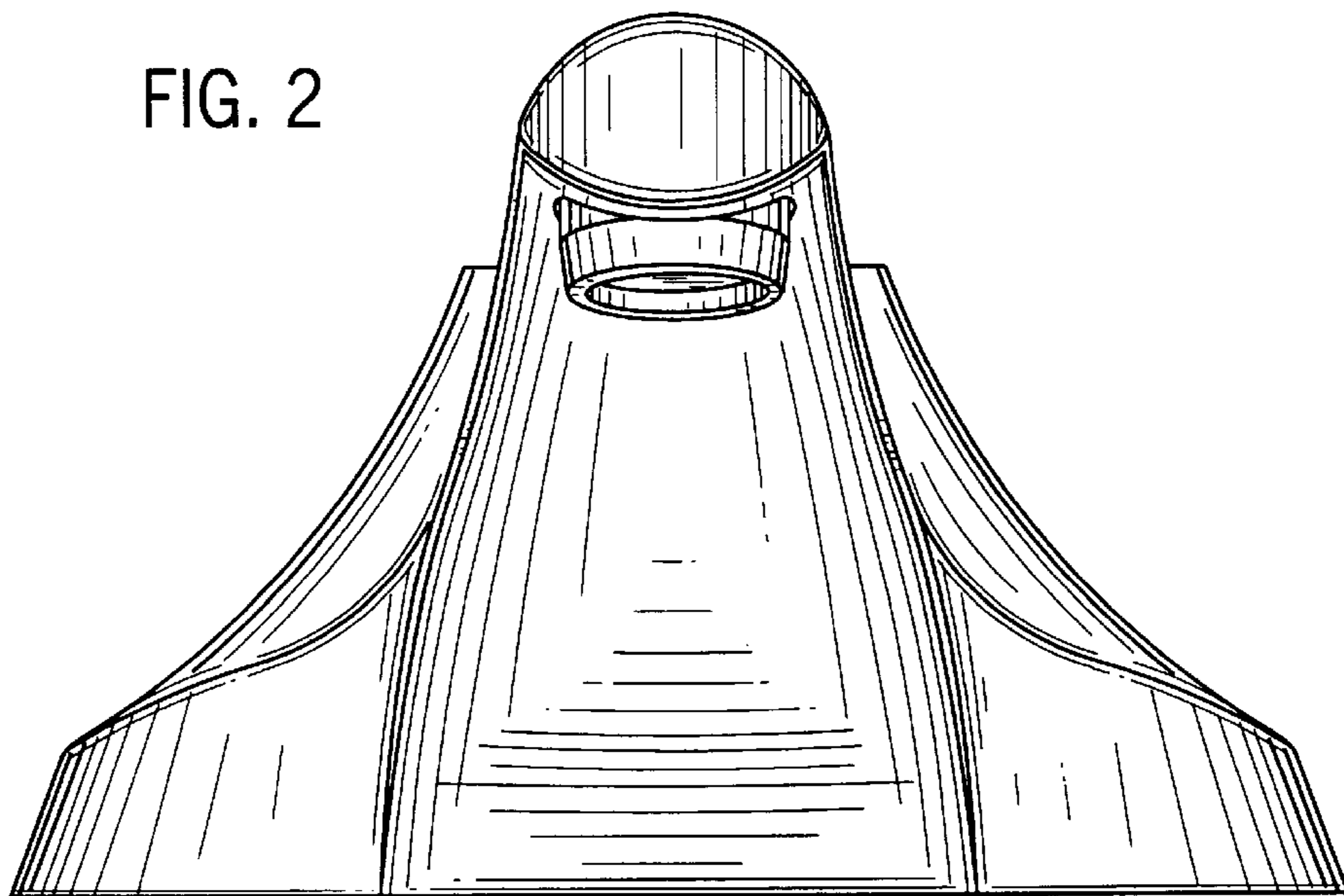


FIG. 3

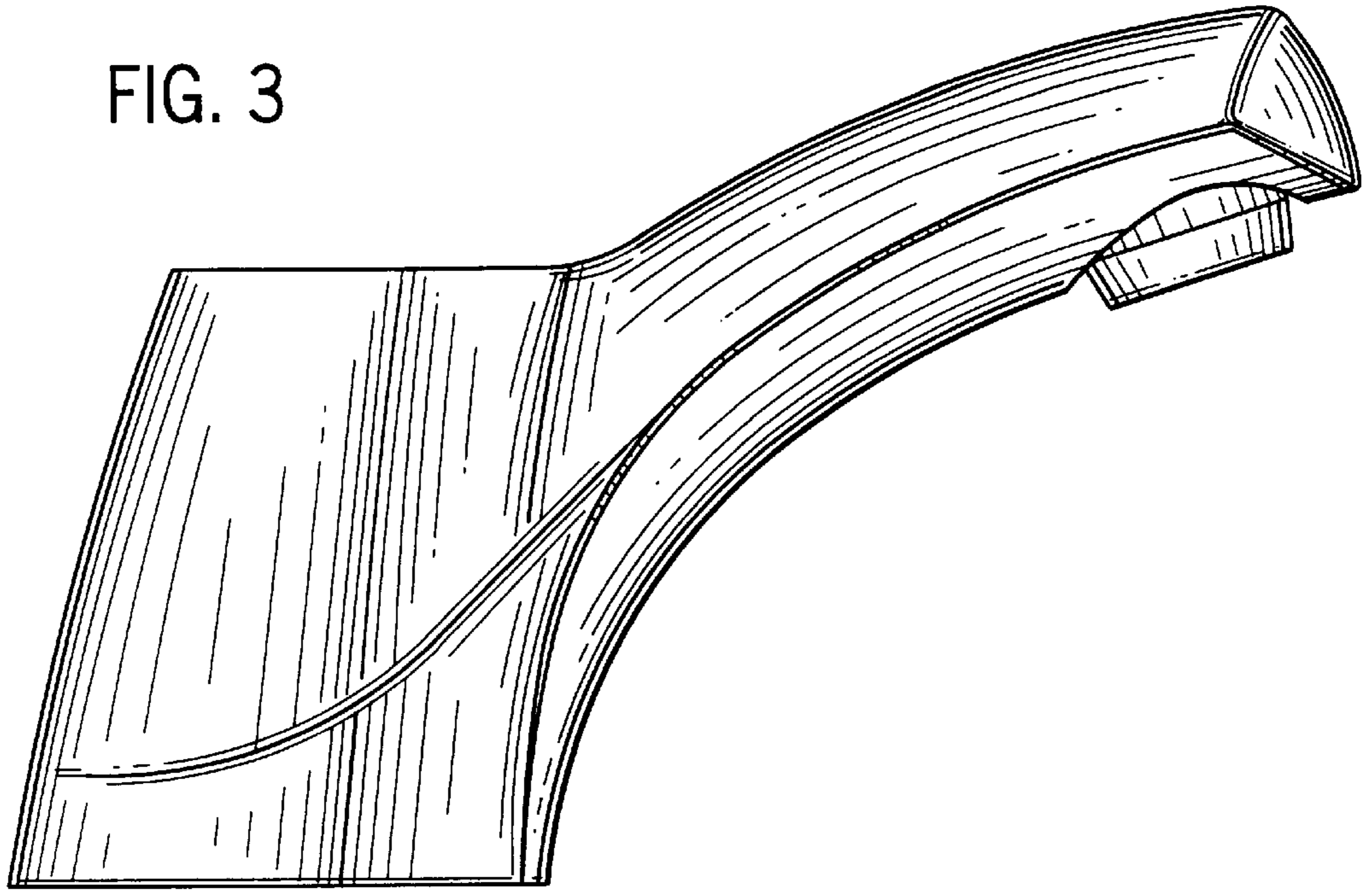
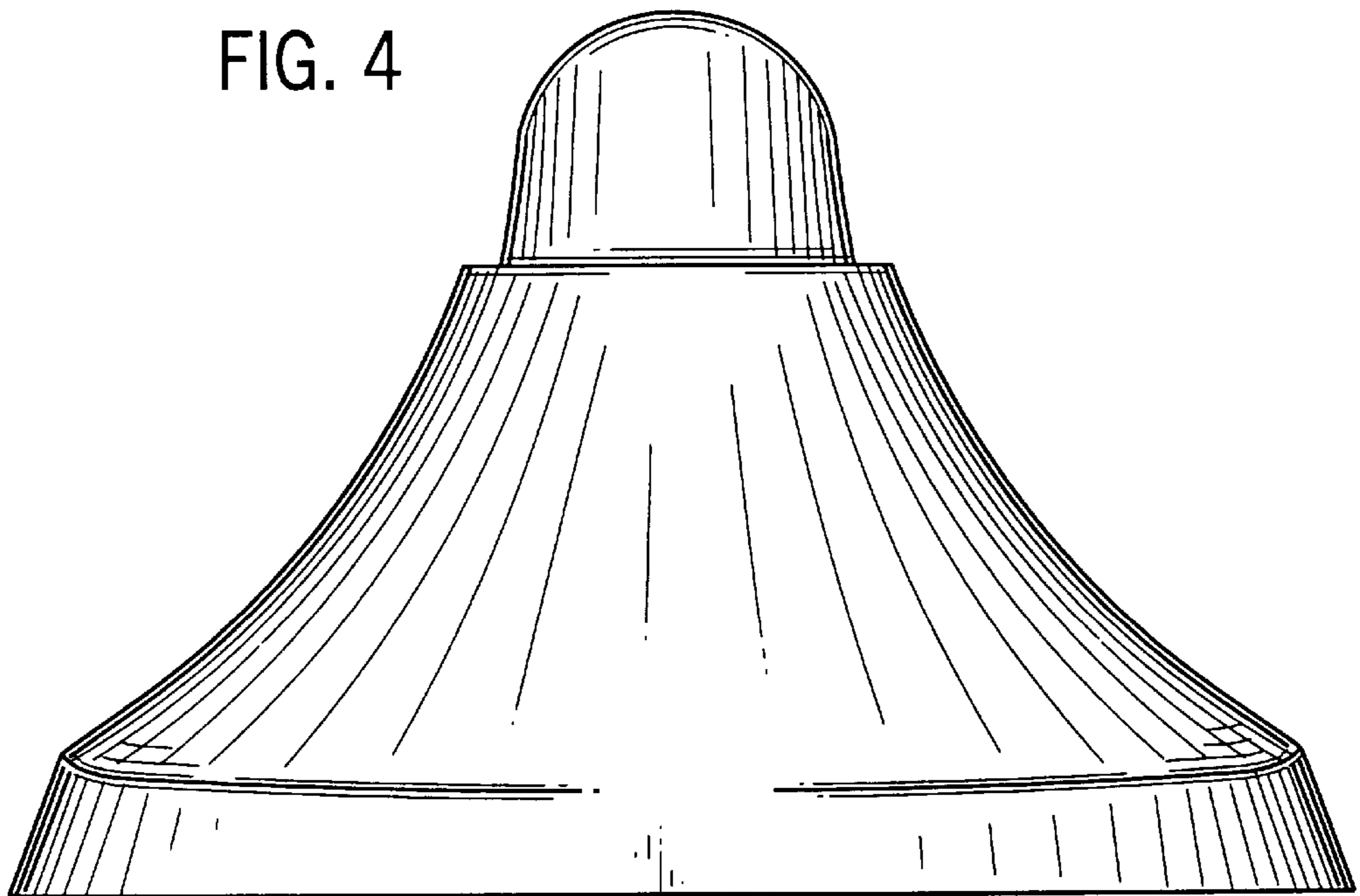


FIG. 4



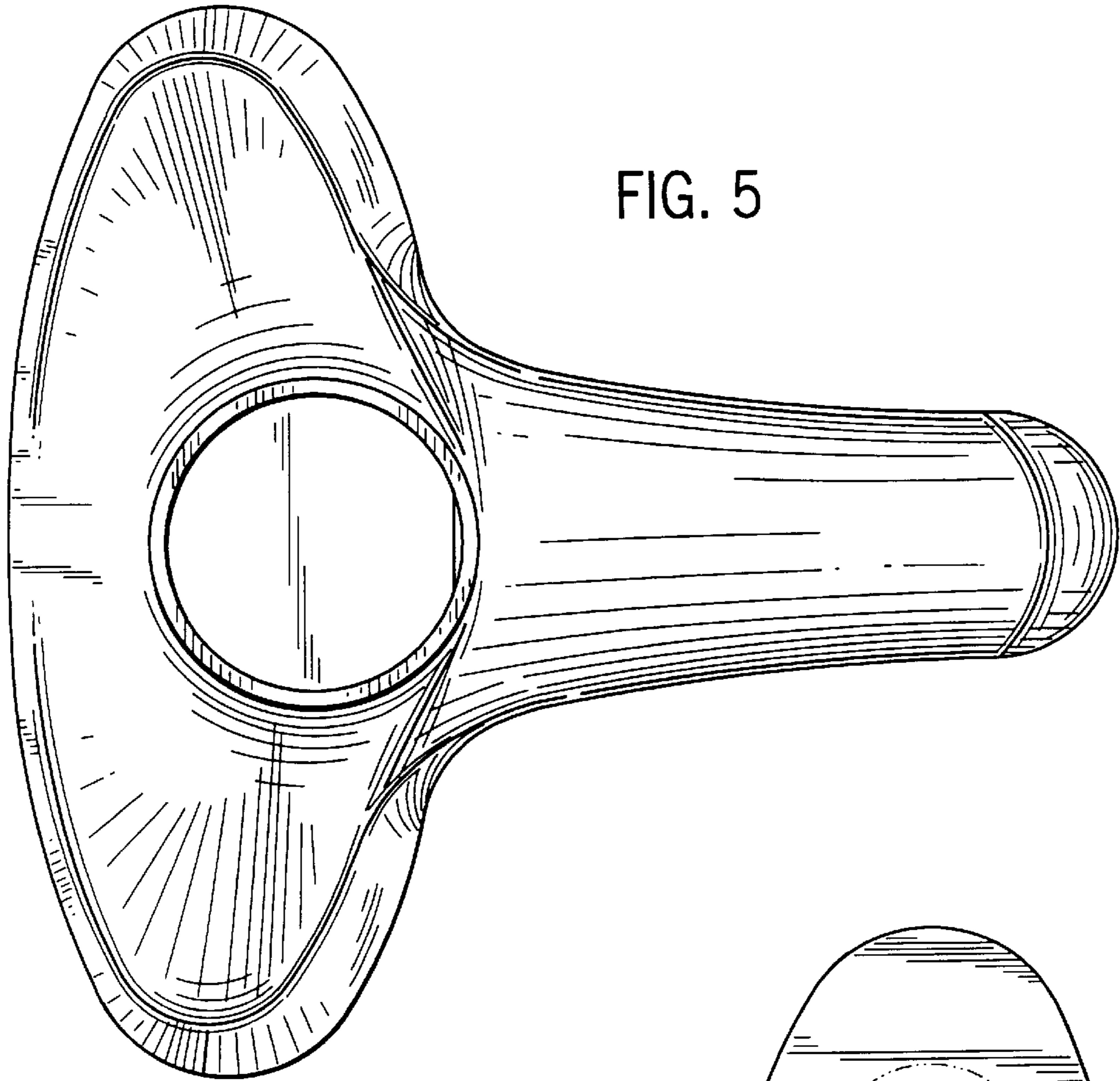


FIG. 5

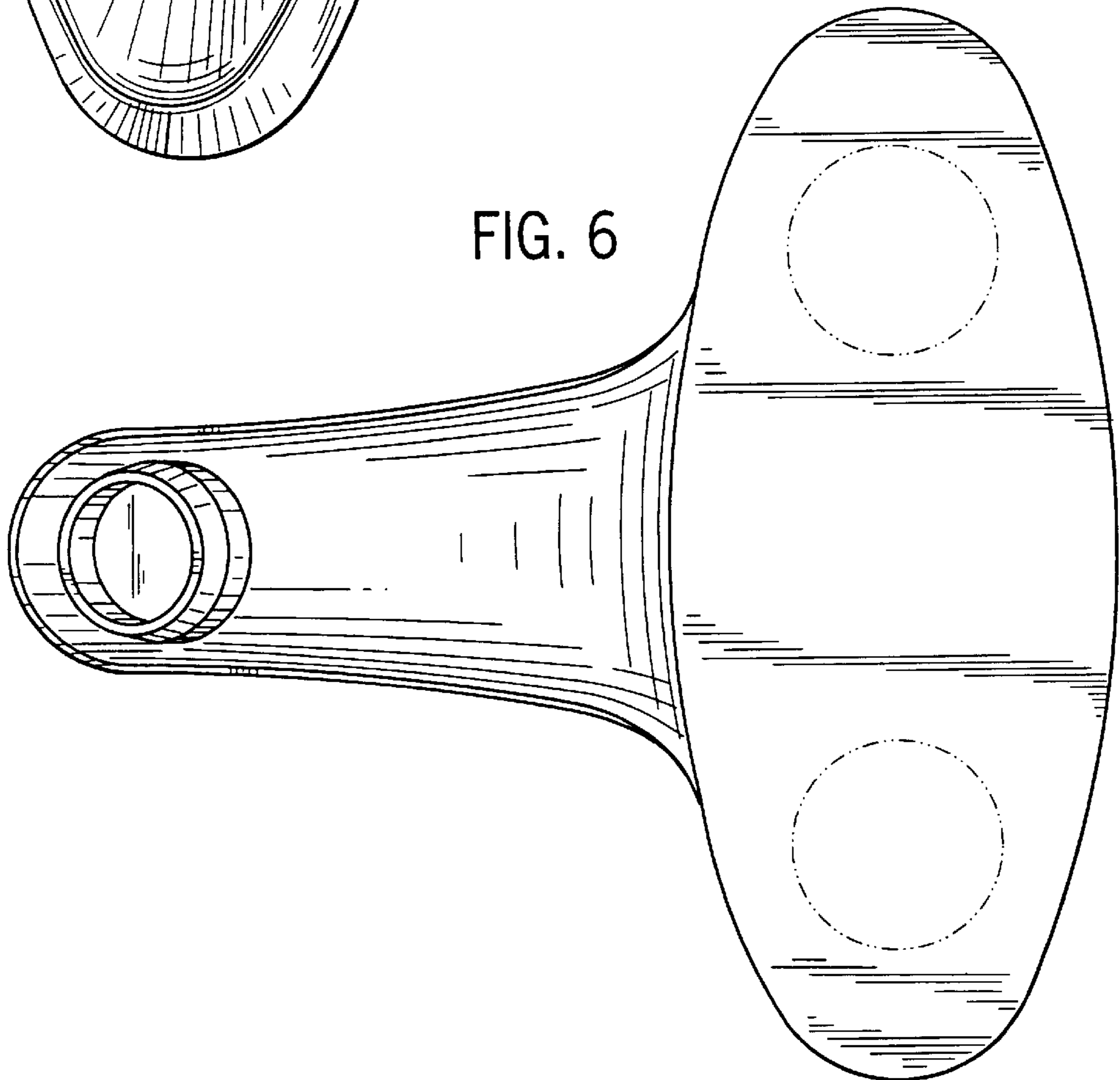


FIG. 6

FIG. 7

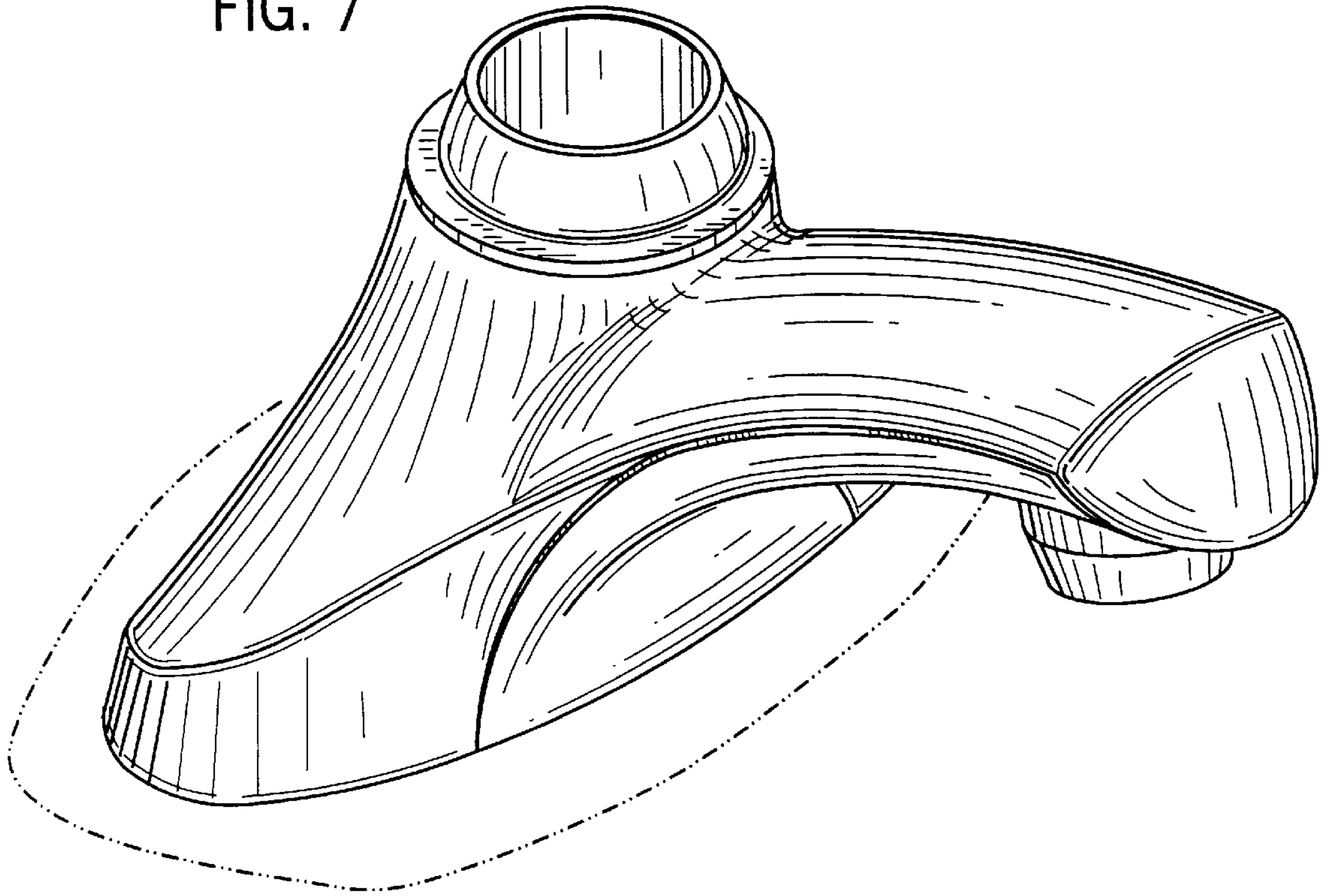


FIG. 8

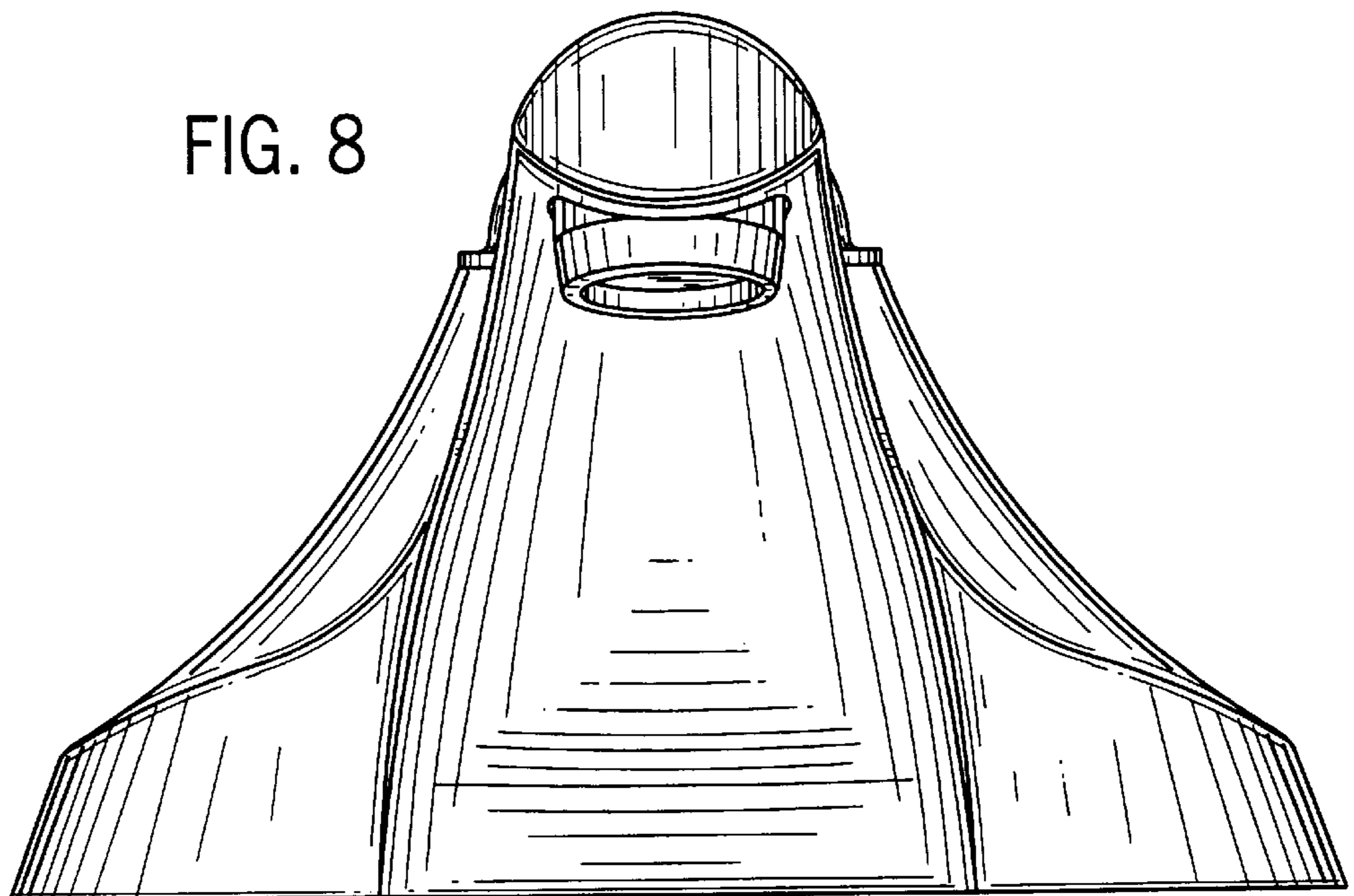


FIG. 9

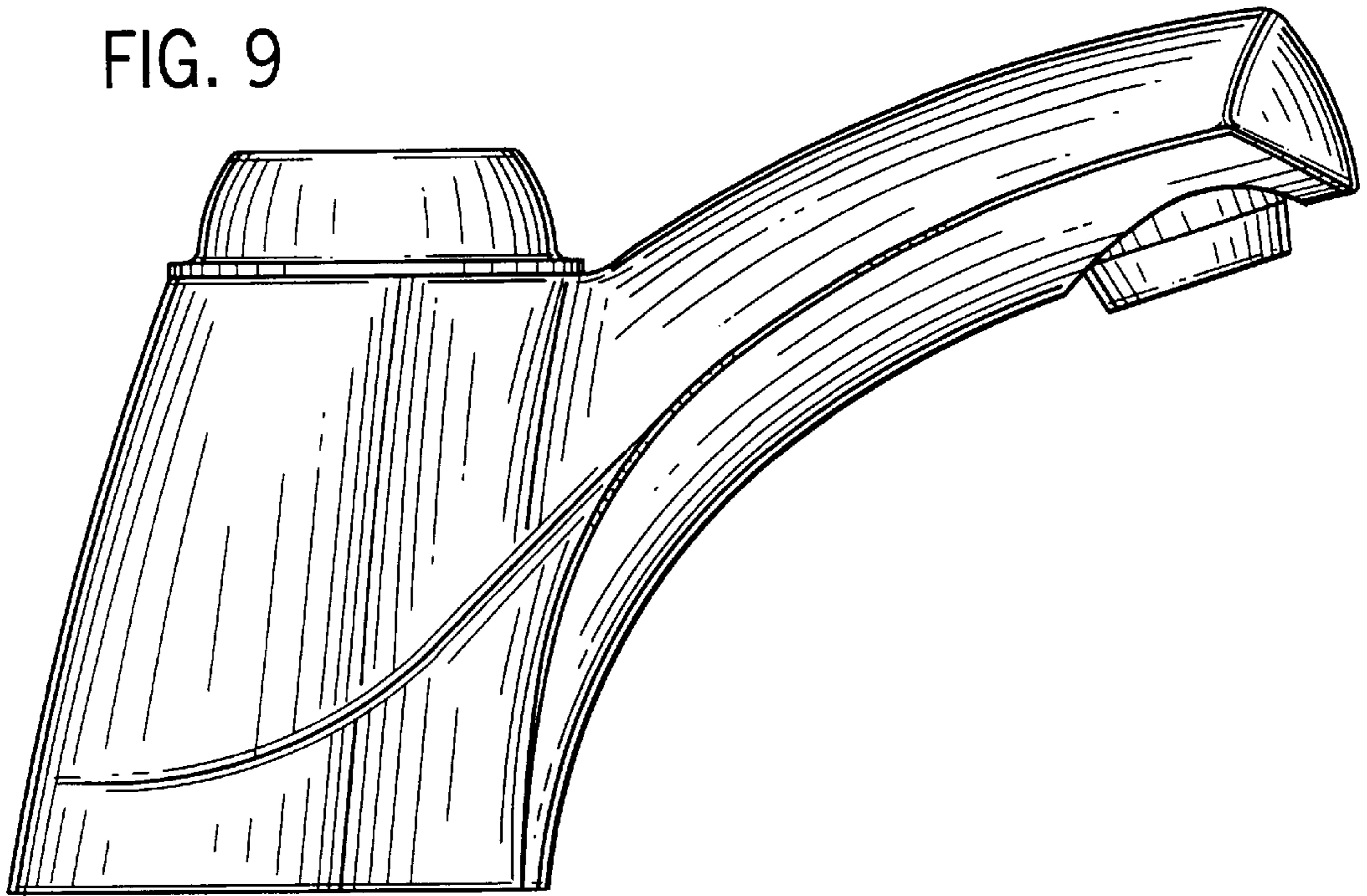
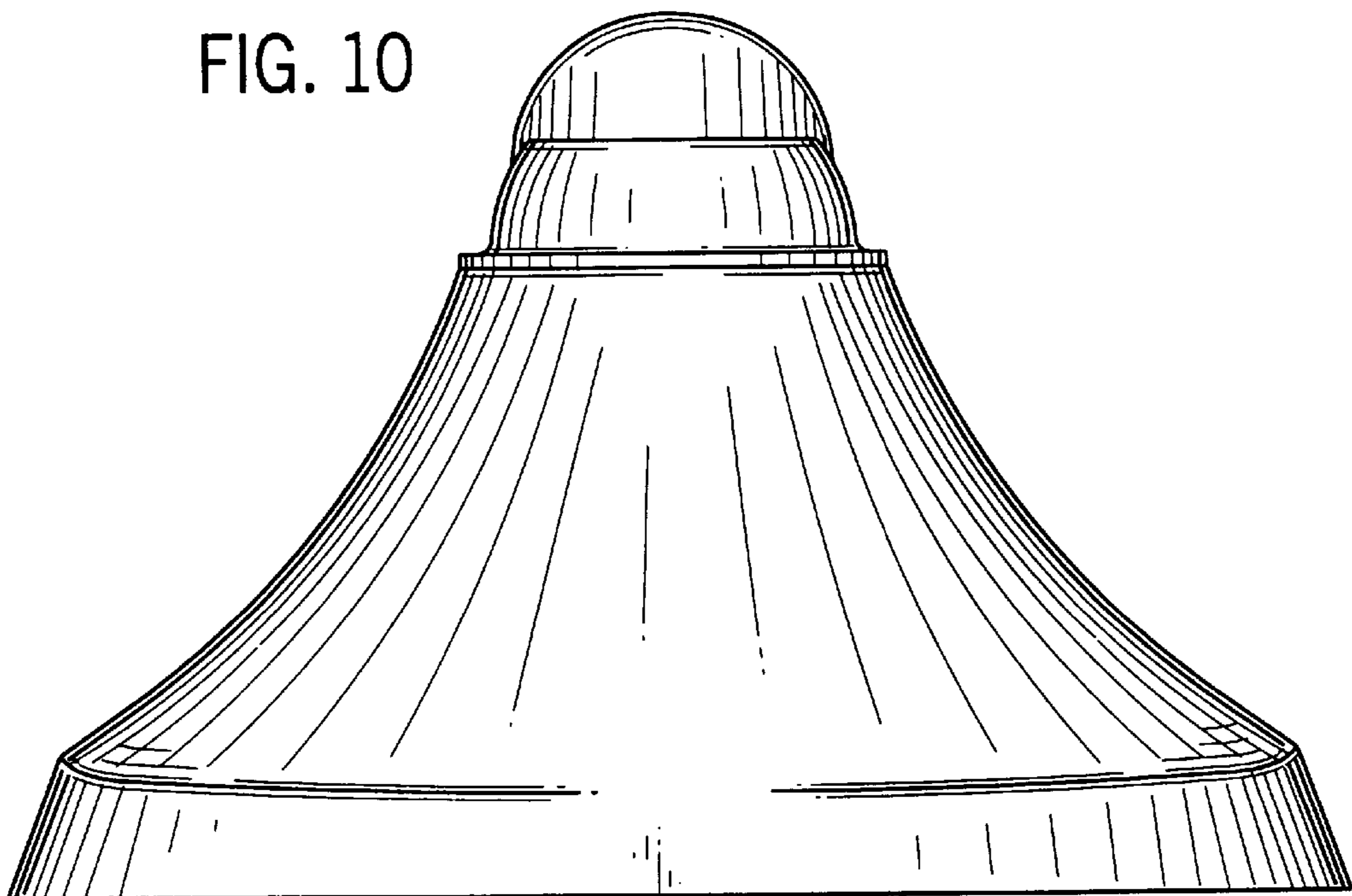


FIG. 10



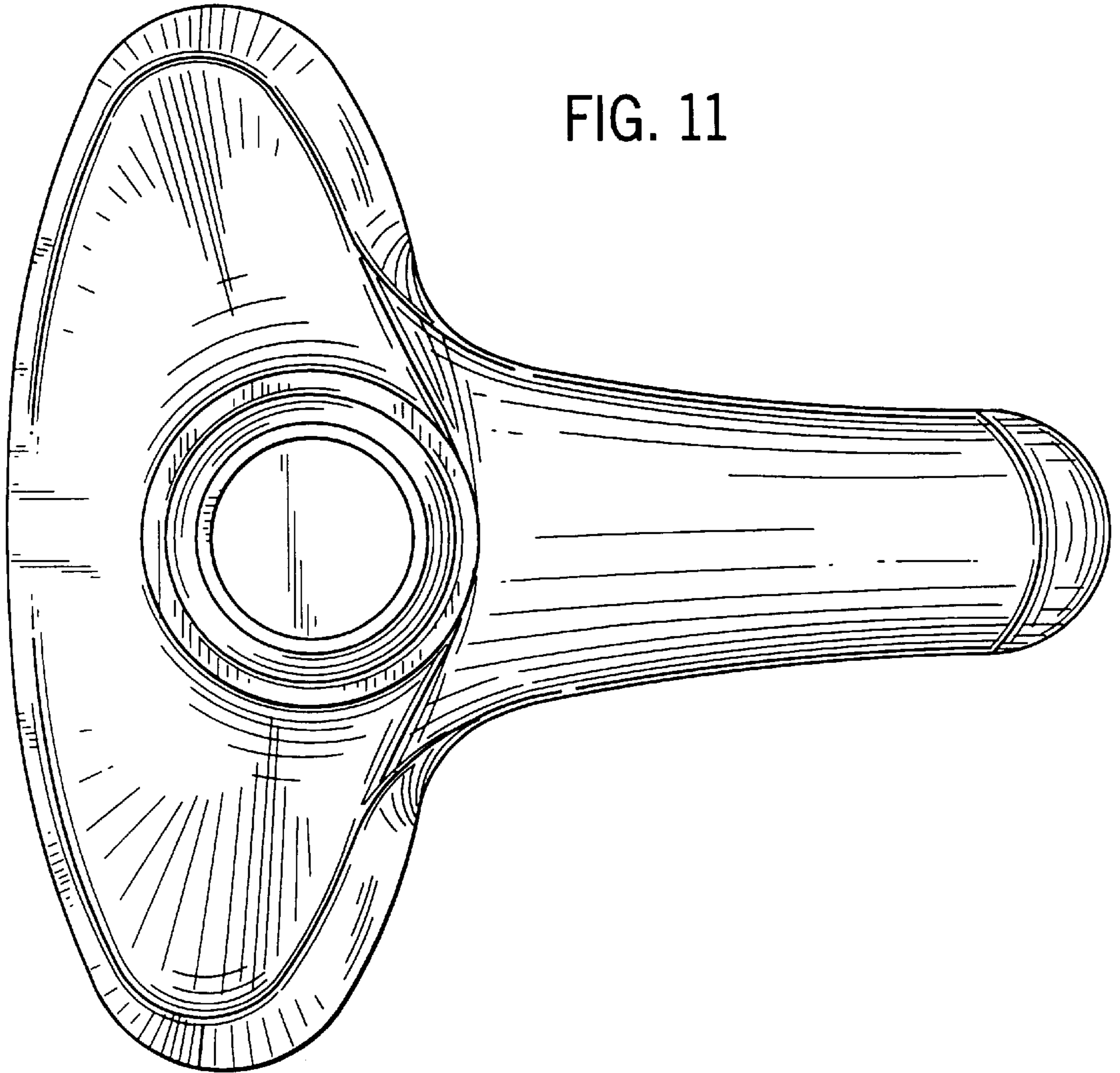


FIG. 11

FIG. 12

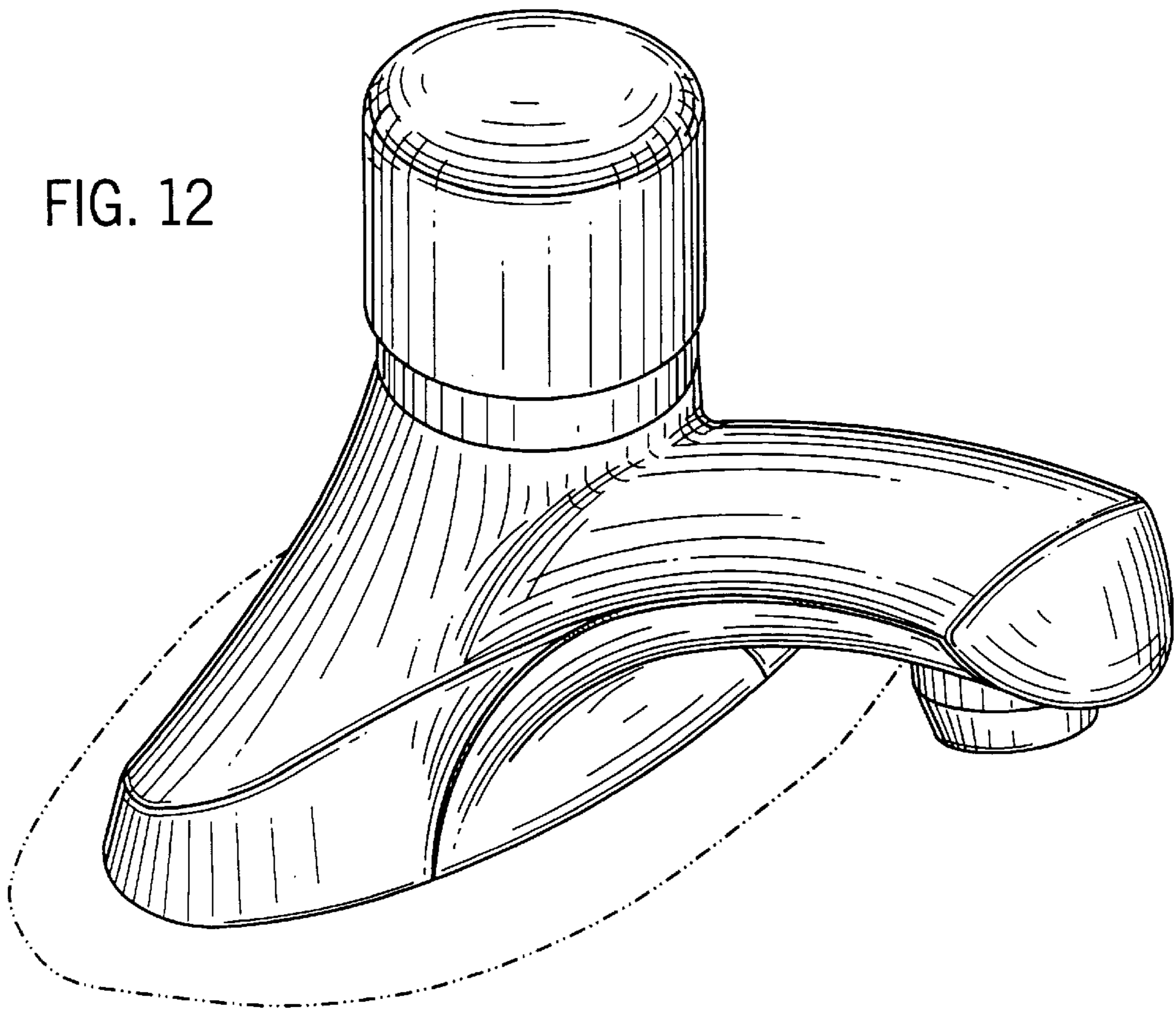


FIG. 13

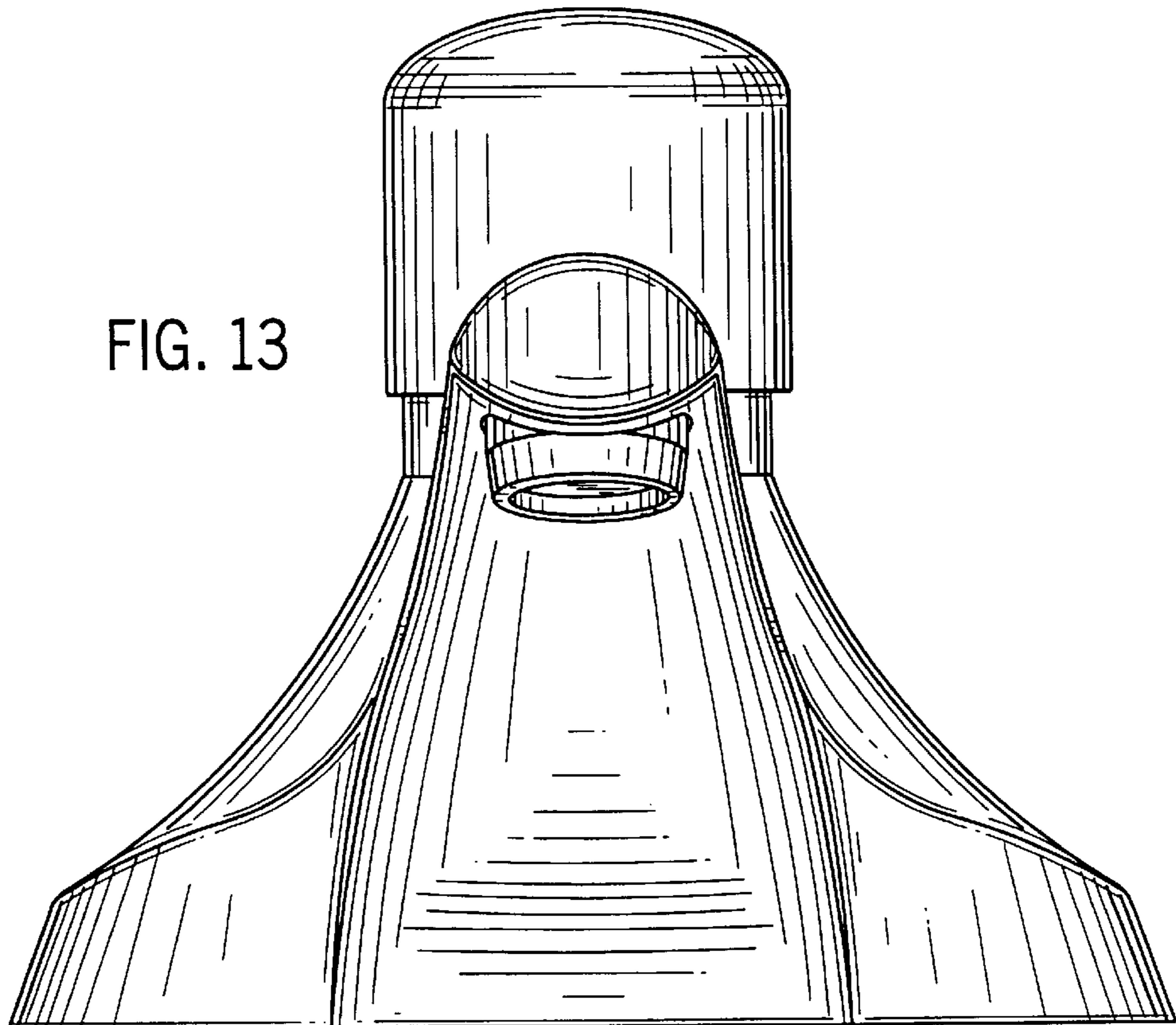


FIG. 14

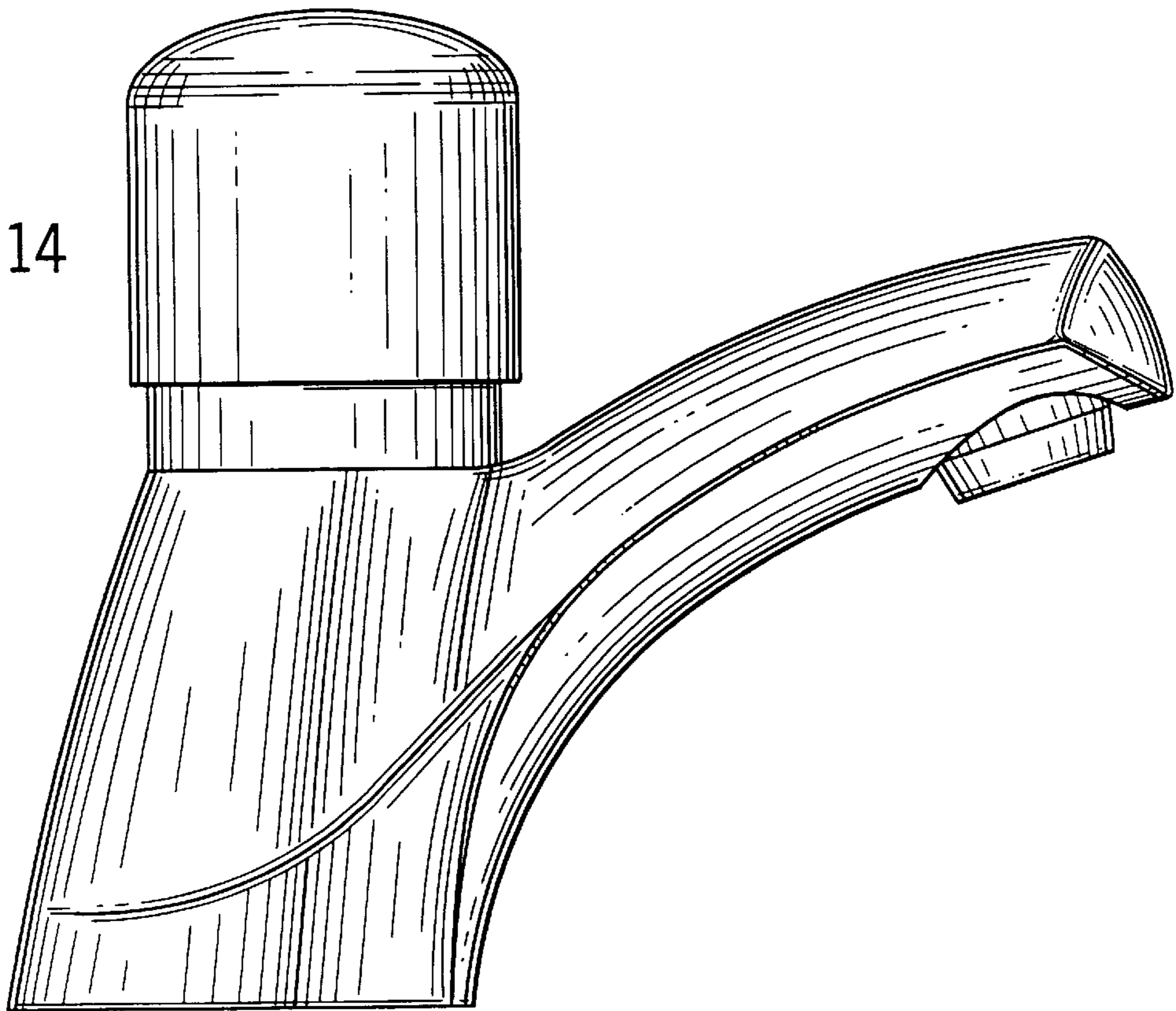


FIG. 15

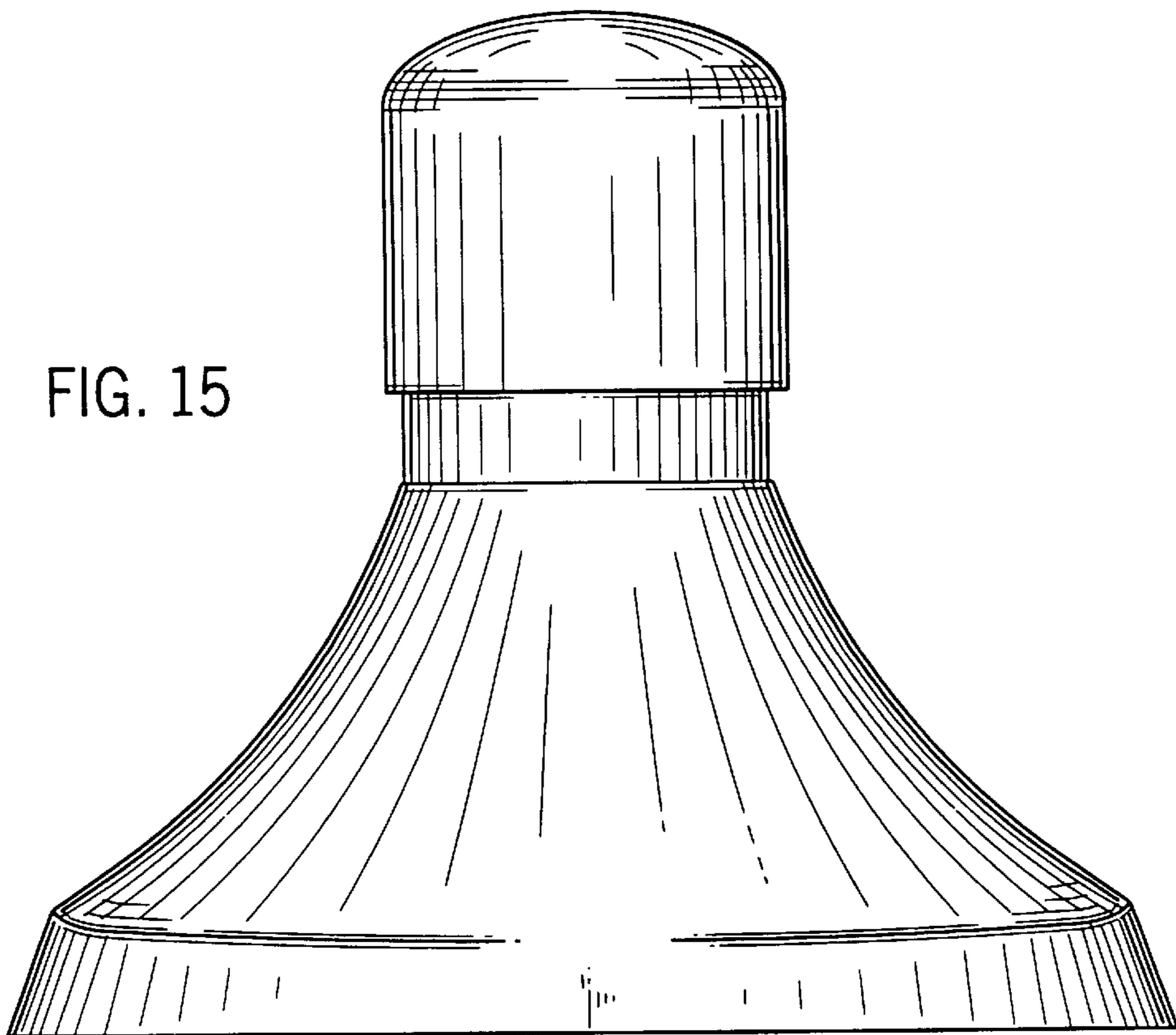


FIG. 16

