



US00D422340S

# United States Patent [19] Hayashi et al.

[11] **Patent Number: Des. 422,340**  
[45] **Date of Patent: \*\* Apr. 4, 2000**

## [54] SERIAL TRANSMISSION BOX

[75] Inventors: **Bunya Hayashi; Takumi Matsumoto; Masaru Narita**, all of Ibaraki, Japan

[73] Assignee: **SMC Corporation**, Tokyo, Japan

[\*\*] Term: **14 Years**

[21] Appl. No.: **29/091,041**

[22] Filed: **Jul. 22, 1998**

## [30] Foreign Application Priority Data

Jan. 22, 1998 [JP] Japan ..... 10-1479

[51] **LOC (6) Cl.** ..... **23-01**

[52] **U.S. Cl.** ..... **D23/233**

[58] **Field of Search** ..... D23/233-237,  
D23/247, 248; D13/166; 137/596.16, 884,  
625.64

## [56] References Cited

### U.S. PATENT DOCUMENTS

D. 246,907	1/1978	Fialkowski et al. ....	D23/233
D. 273,698	5/1984	Pace .....	D23/233
D. 338,516	8/1993	Tamaki .....	D23/248
D. 388,504	12/1997	Hayashi et al. .	
D. 389,560	1/1998	Hayashi et al. .	
D. 390,636	2/1998	Hayashi et al. .	
4,889,164	12/1989	Hozumi et al. ....	137/625.64
5,437,306	8/1995	Asou et al. ....	137/625.64
5,699,830	12/1997	Hayashi et al. ....	137/884
5,887,623	3/1999	Nagai et al. ....	137/884

## OTHER PUBLICATIONS

International Fluid Power Exhibition 1997, *Shuttle*, vol. 14, Oct. 13, 1997, Index and p. 37.

*Primary Examiner*—Robin V. Taylor  
*Attorney, Agent, or Firm*—Oblon, Spivak, McClelland, Maier & Neustadt, P.C.

## [57] CLAIM

The ornamental design for serial transmission box, as shown and described.

## DESCRIPTION

FIG. 1 is a front elevational view of serial transmission box embodying our new design;  
 FIG. 2 is a rear elevational view thereof;  
 FIG. 3 is a top plan view thereof;  
 FIG. 4 is a bottom plan view thereof;  
 FIG. 5 is a right side elevational view thereof;  
 FIG. 6 is a top, front and left side perspective view thereof;  
 FIG. 7 is a rear, bottom and right side perspective view thereof; and,  
 FIG. 8 is top, front and left side perspective view thereof when in use with a supply and exhaust block, a plurality of solenoid valves, an end block and mounting rail.  
 The supply and exhaust block, solenoid valves, and block and mounting rail shown in phantom lines in FIG. 8 are shown for illustrative purposes only and form no part of the claimed design.

**1 Claim, 2 Drawing Sheets**

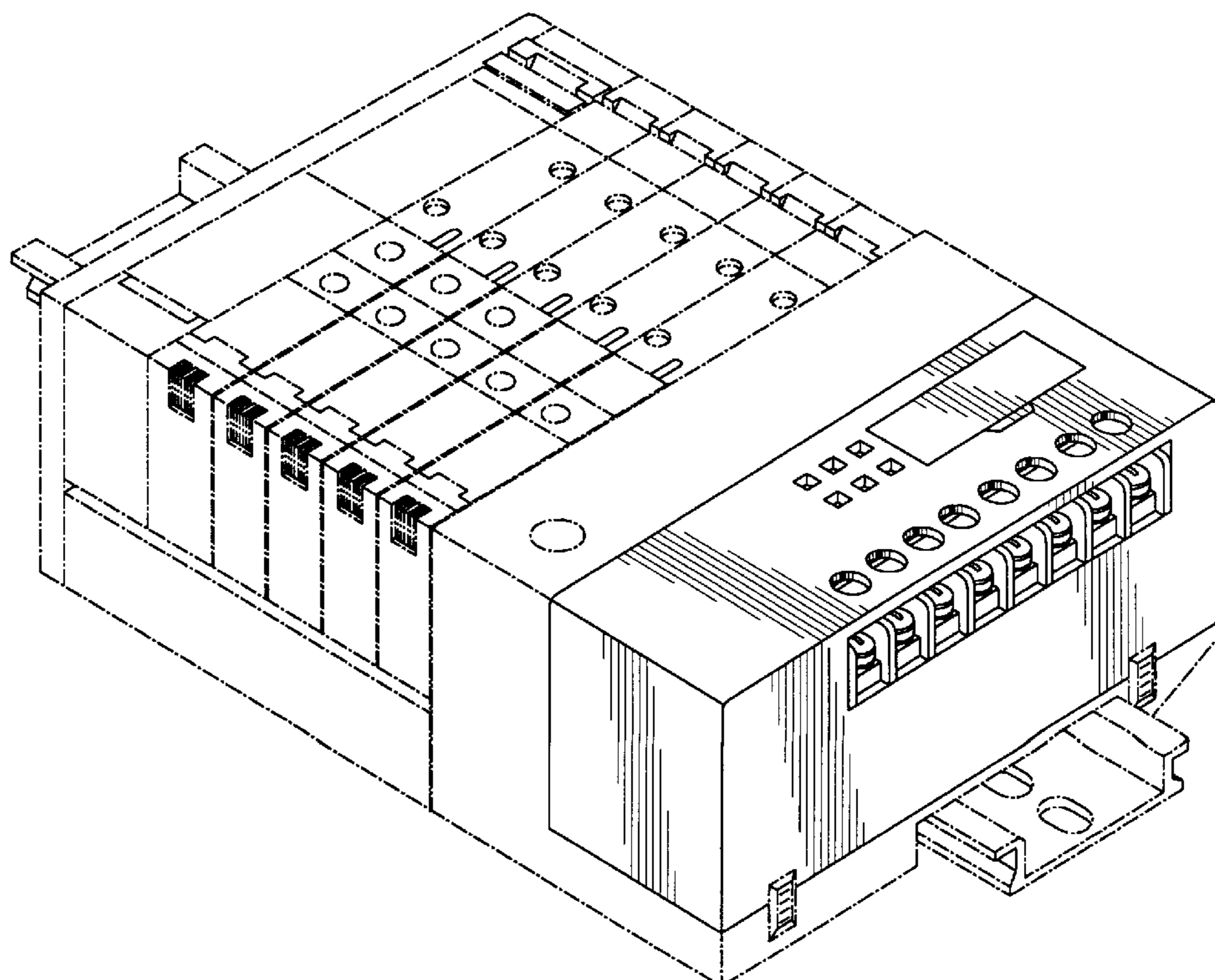


FIG. 1

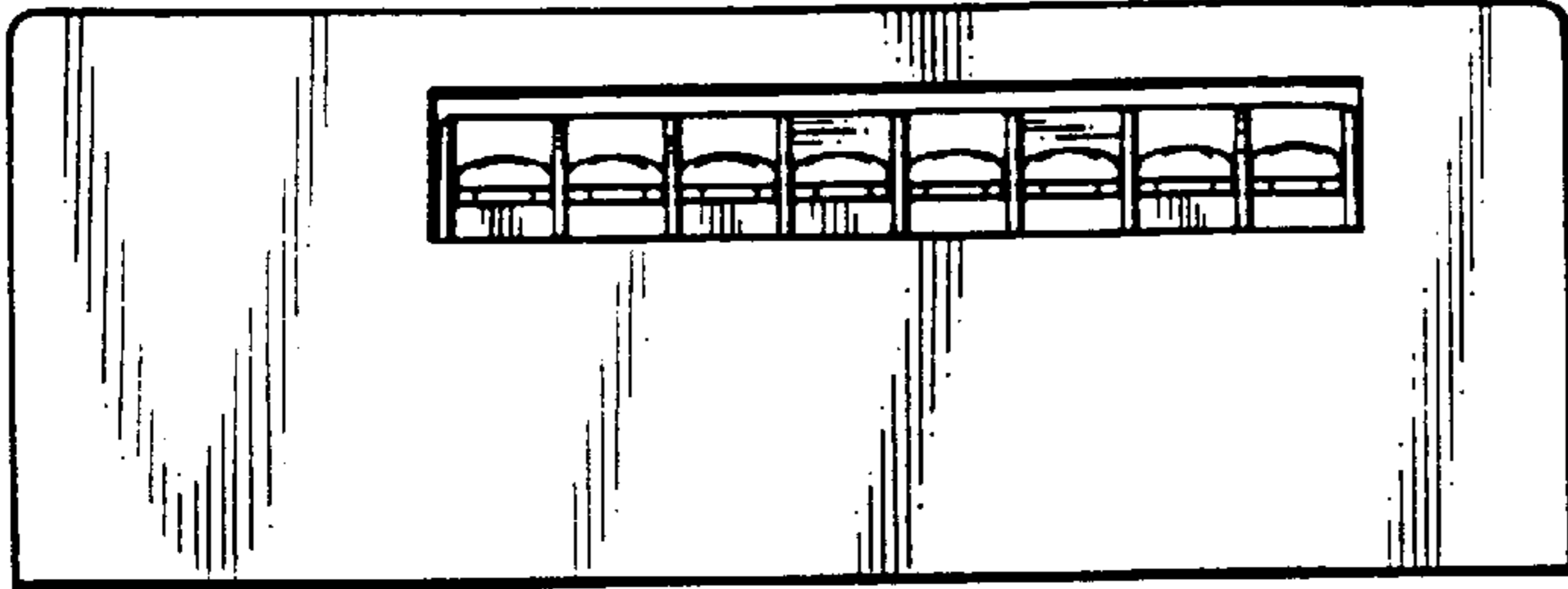


FIG. 2

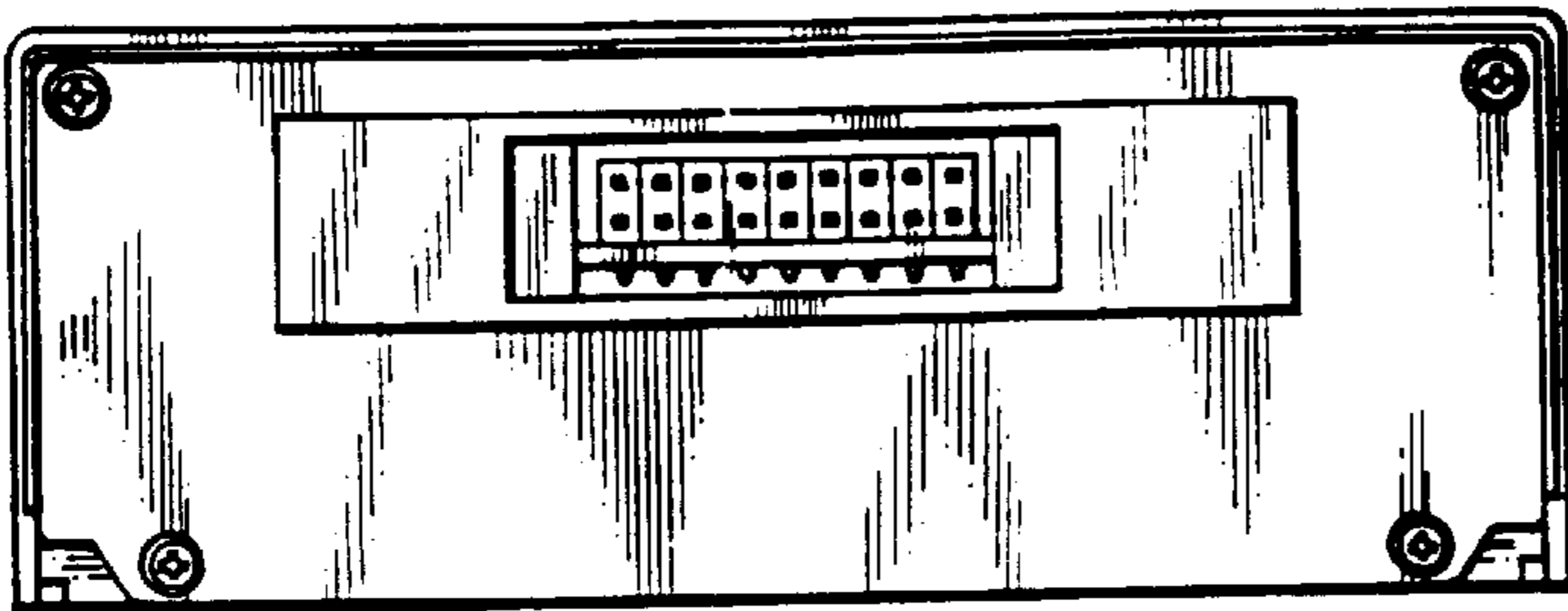


FIG. 3

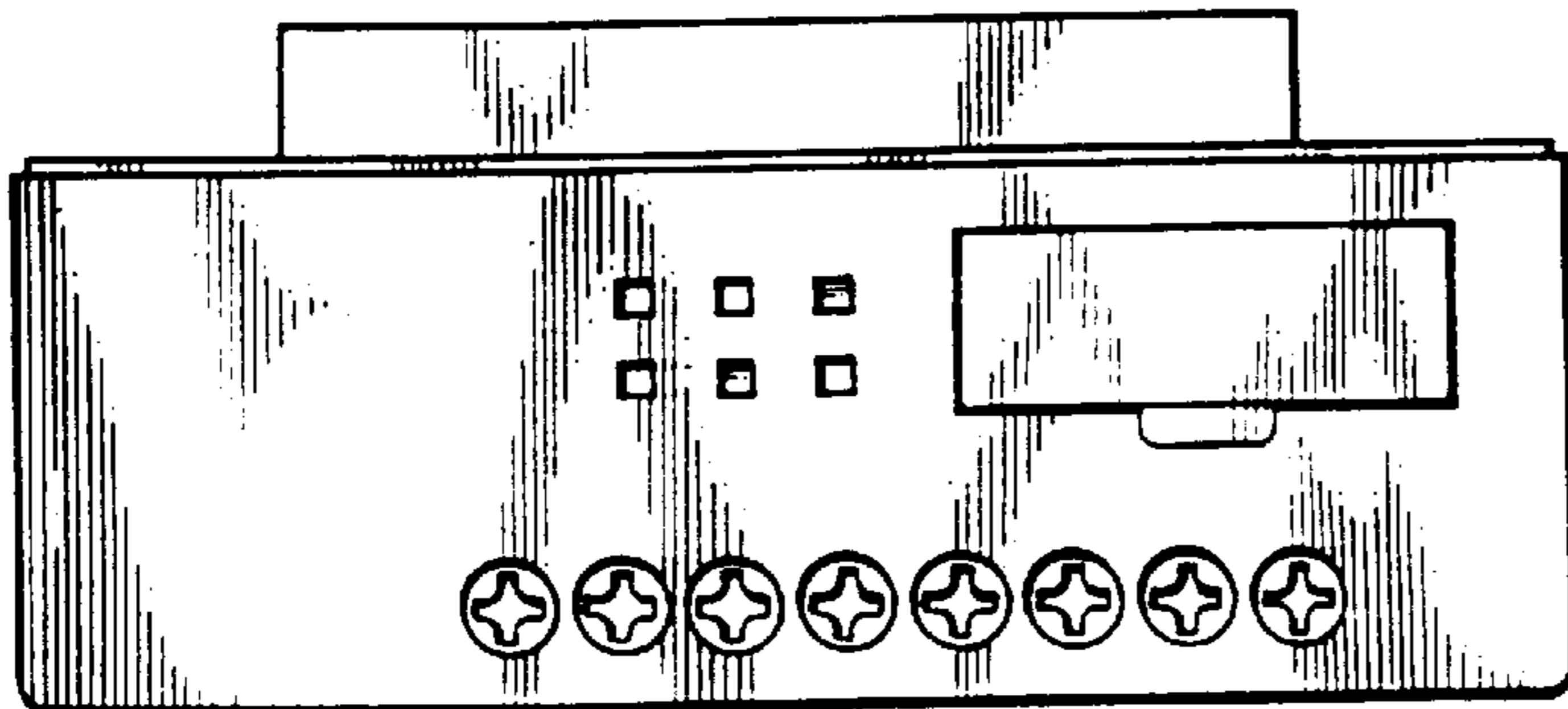


FIG. 4

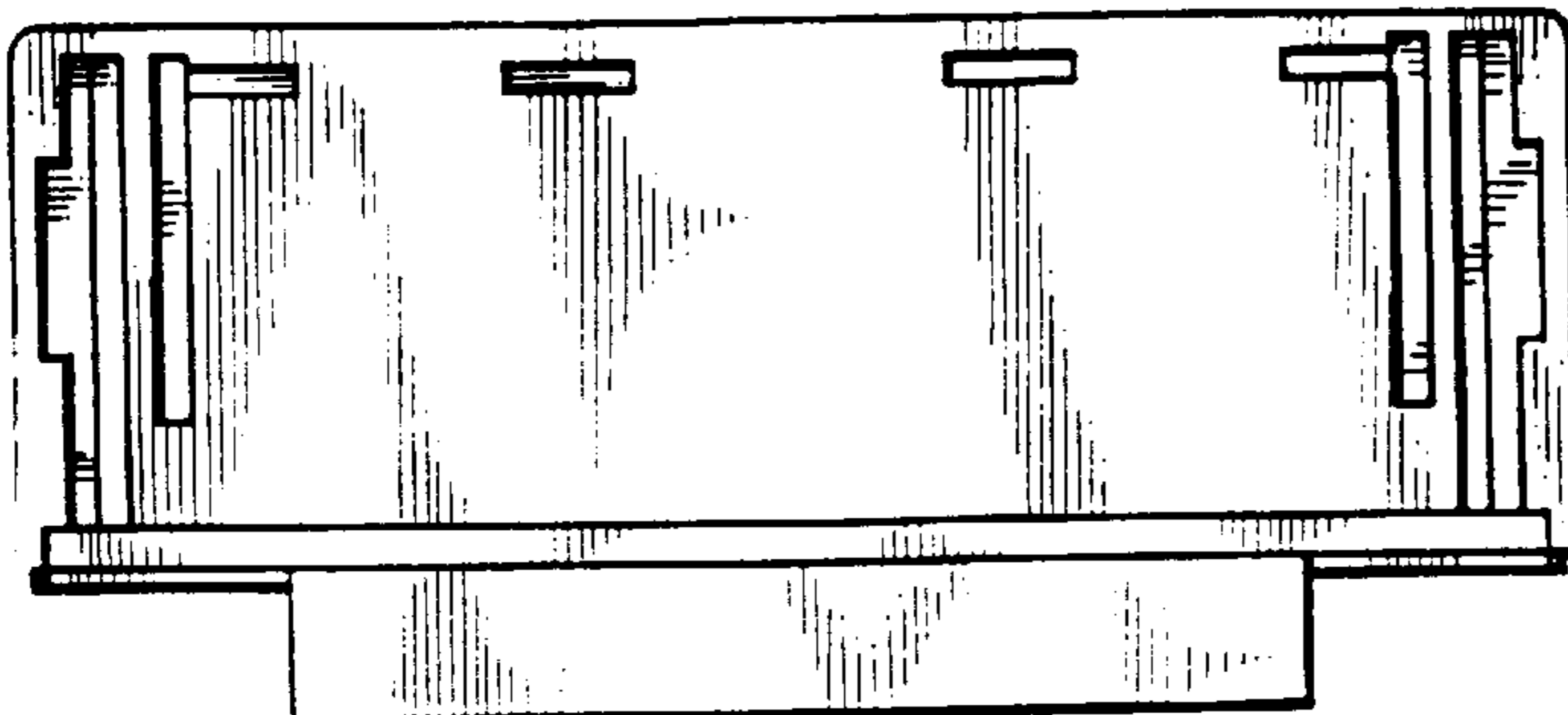


FIG. 5



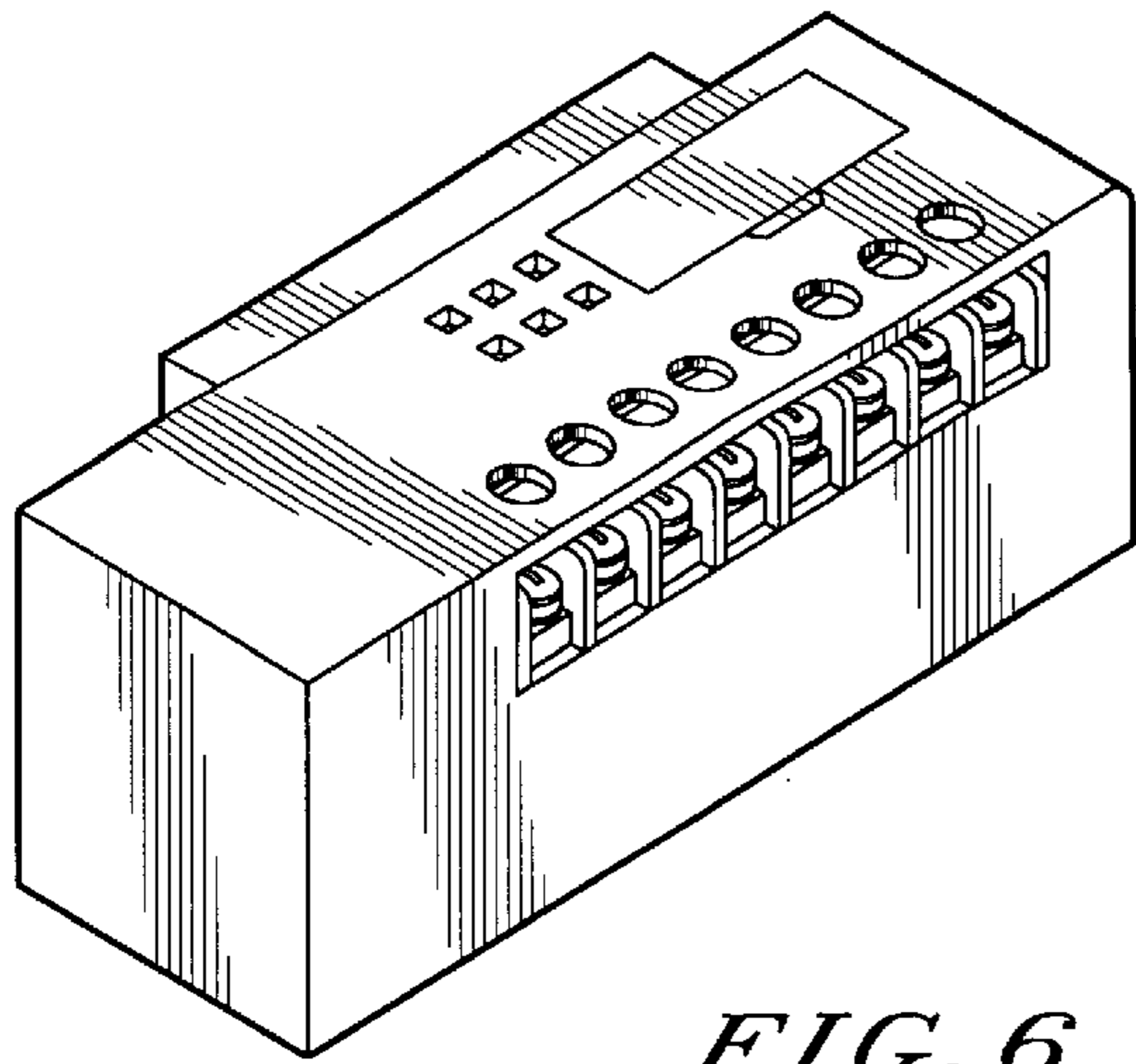


FIG. 6

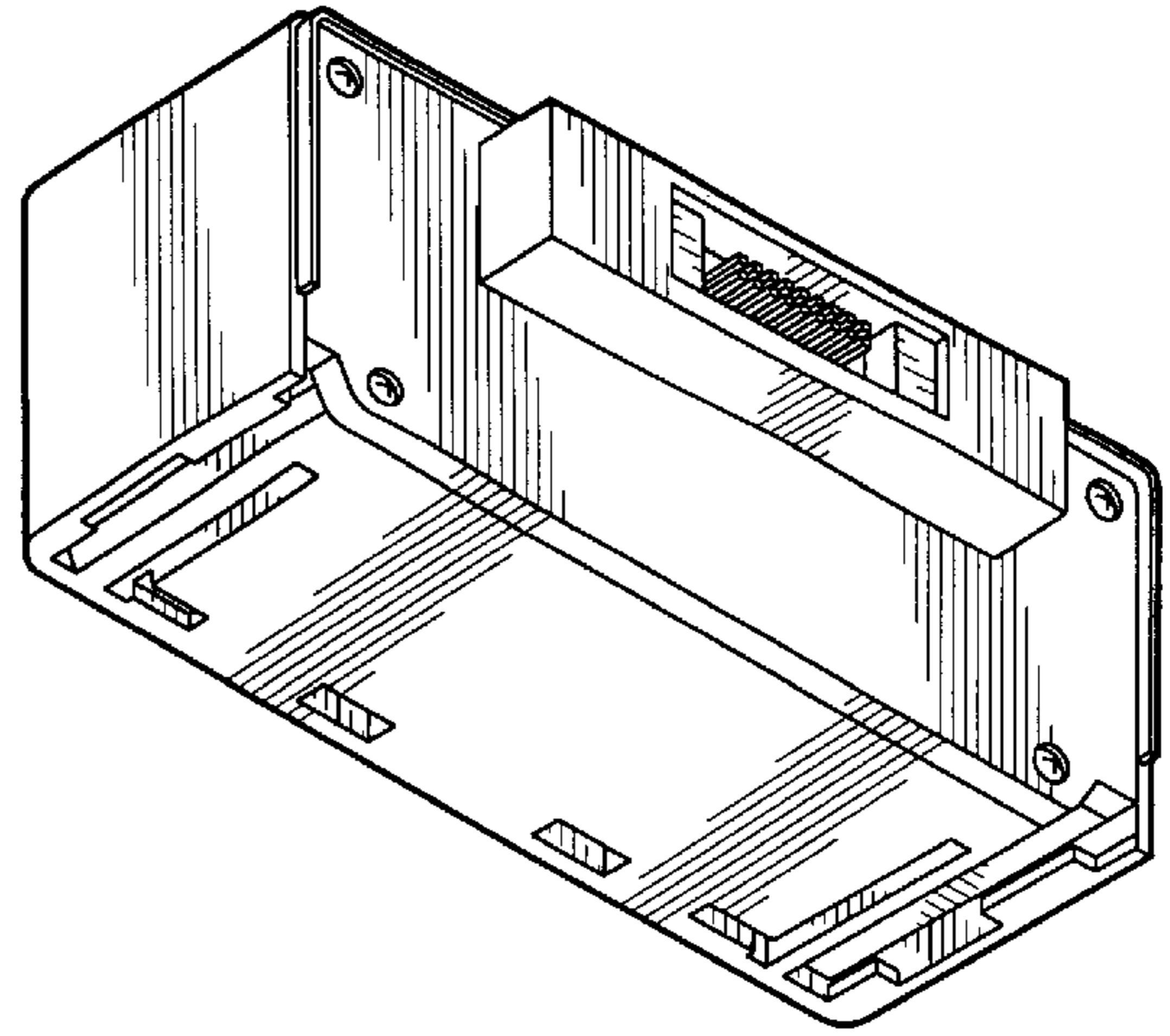


FIG. 7

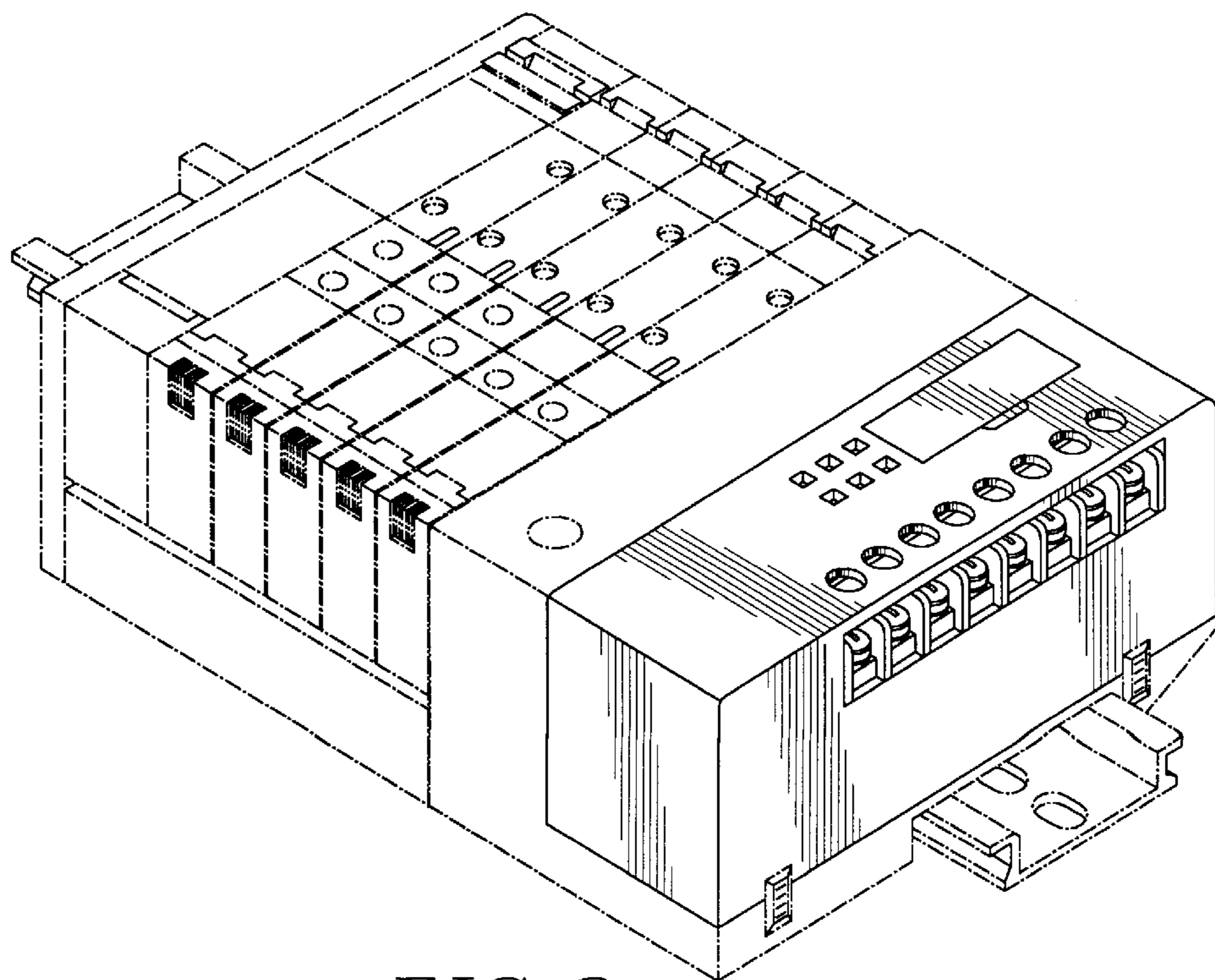


FIG. 8