



US00D422336S

# United States Patent [19]

Haverstraw et al.

[11] Patent Number: Des. 422,336

[45] Date of Patent: \*\* Apr. 4, 2000

[54] **HAND-HELD SHOWER HEAD WITH FACE PLATE**

[75] Inventors: **Jay Haverstraw**, Fort Collins, Colo.; **Andrew Serbinski**, Annandale, N.J.; **Mirzat Koç**, Brooklyn; **Ragnhild Haugum**, New York, both of N.Y.

[73] Assignee: **Teledyne Industries, Inc.**, Fort Collins, Colo.

[\*\*] Term: **14 Years**

[21] Appl. No.: **29/092,754**

[22] Filed: **Aug. 26, 1998**

[51] **LOC (6) Cl.** ..... **23-01**

[52] **U.S. Cl.** ..... **D23/223**

[58] **Field of Search** ..... D23/213, 214, D23/223, 226, 229; 239/394, 460-2, 525, 530

## [56] References Cited

### U.S. PATENT DOCUMENTS

- D. 237,708 11/1975 Grohe et al. .
- D. 245,858 9/1977 Grube .
- D. 245,860 9/1977 Grube .
- D. 261,300 10/1981 Klose .
- D. 313,267 12/1990 Lenci et al. .
- D. 315,191 3/1991 Mikol .
- D. 325,769 4/1992 Haug et al. .
- D. 325,770 4/1992 Haug et al. .
- D. 326,311 5/1992 Lenci et al. .
- D. 332,994 2/1993 Huen .
- D. 348,720 7/1994 Haug et al. .... D23/223
- D. 352,347 11/1994 Dannenberg .
- D. 366,309 1/1996 Huang ..... D23/223
- D. 367,696 3/1996 Andrus .
- D. 370,052 5/1996 Chan et al. .... D23/223
- D. 381,737 7/1997 Chan ..... D23/223
- D. 385,947 11/1997 Dow et al. .... D23/223
- 2,567,642 9/1951 Penshaw .
- 3,550,863 12/1970 McDermott .
- 3,998,390 12/1976 Peterson et al. .
- 4,081,135 3/1978 Tomaro .
- 4,209,132 6/1980 Kwan .
- 4,254,914 3/1981 Shames et al. .

- 4,614,303 9/1986 Moseley, Jr. et al. .
- 4,657,185 4/1987 Rundzaitis .
- 4,703,893 11/1987 Gruber .
- 4,754,928 7/1988 Rogers et al. .
- 5,033,897 7/1991 Chen .
- 5,172,866 12/1992 Ward .
- 5,232,162 8/1993 Chih .
- 5,246,169 9/1993 Heimann et al. .
- 5,397,064 3/1995 Heitzman .
- 5,433,384 7/1995 Chan et al. .
- 5,476,225 12/1995 Chan .
- 5,551,637 9/1996 Lo .
- 5,558,278 9/1996 Gallorini .
- 5,577,664 11/1996 Heitzman .
- 5,613,639 3/1997 Storm et al. .
- 5,718,380 2/1998 Schorn et al. .

### FOREIGN PATENT DOCUMENTS

- 2066704 7/1981 United Kingdom .
- 726811 B1 8/1996 United Kingdom .

*Primary Examiner*—Robin V. Taylor  
*Attorney, Agent, or Firm*—Holland & Hart LLP

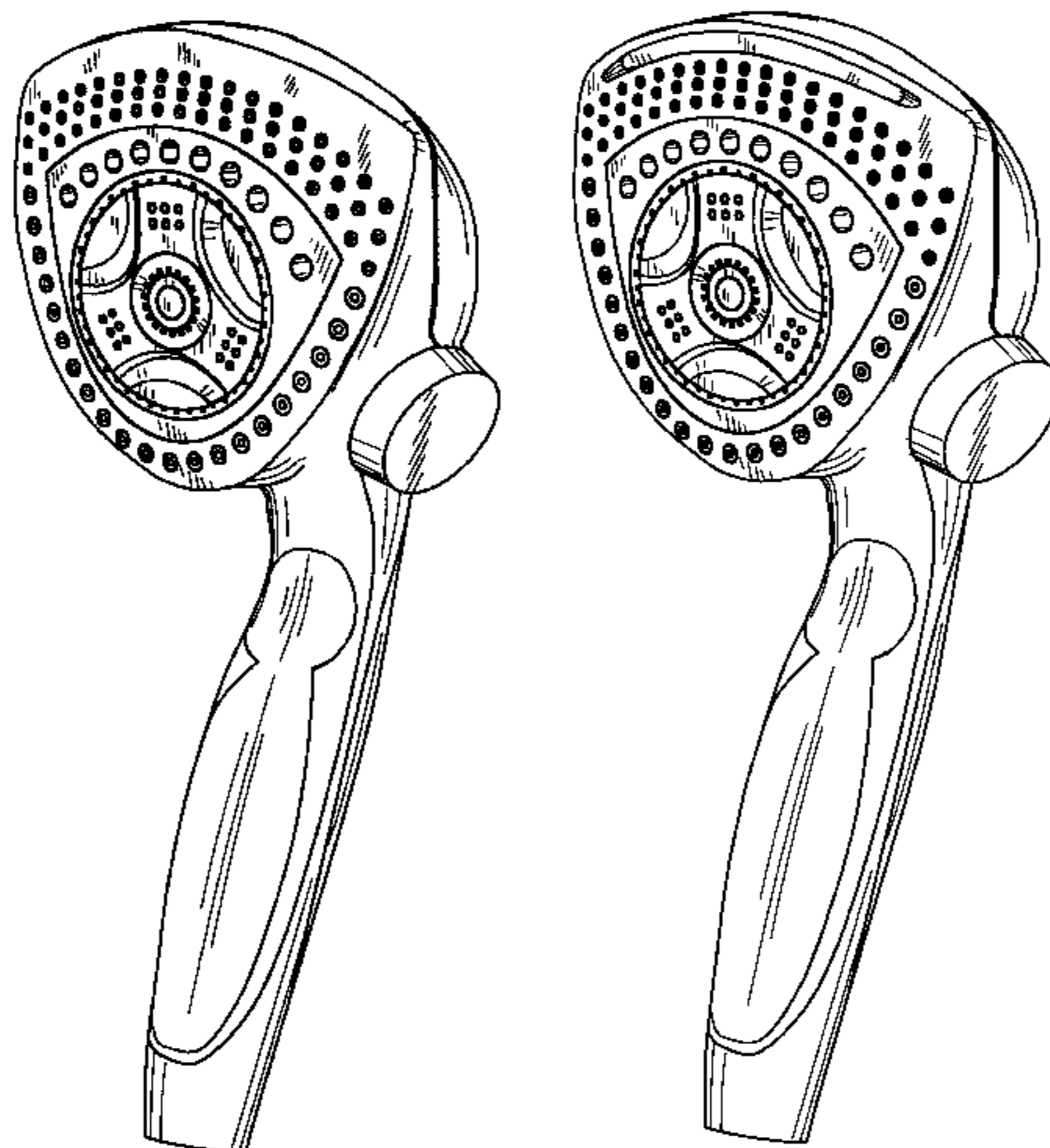
## [57] CLAIM

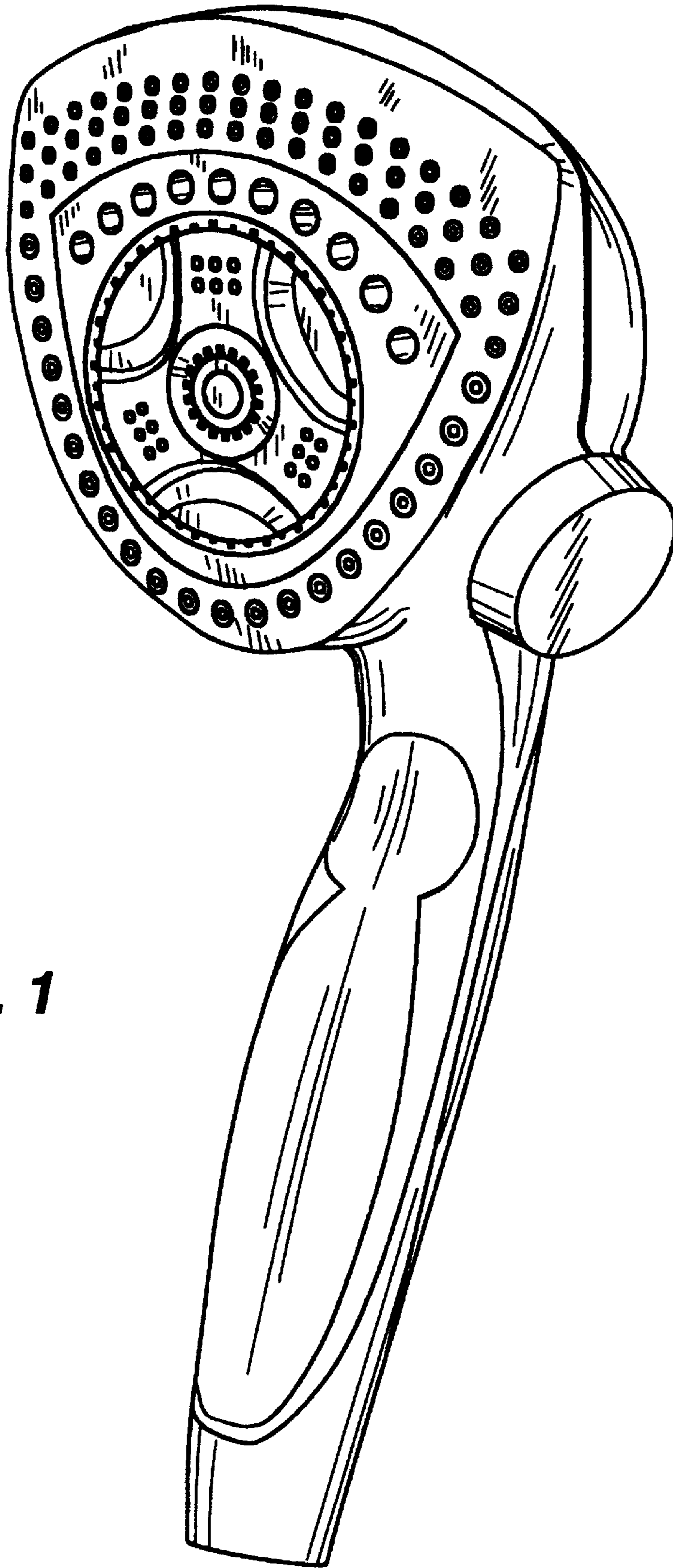
The ornamental design for a hand-held shower head with face plate, as shown and described.

### DESCRIPTION

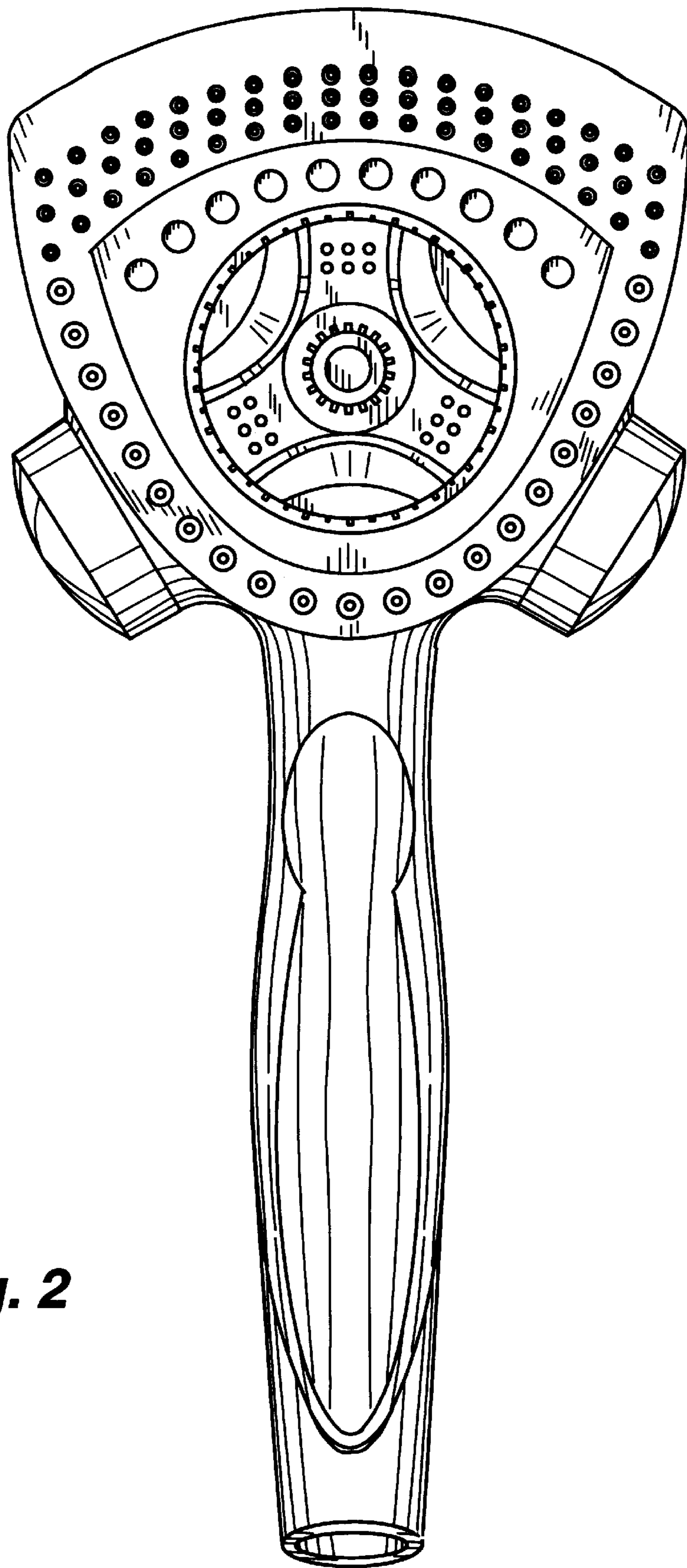
FIG. 1 is a front perspective view of a hand-held shower head with face plate showing our new design; FIG. 2 is a front elevational view thereof; FIG. 3 is a left side elevational view thereof, with the right side elevational view being a mirror image; FIG. 4 is a top plan view thereof; FIG. 5 is a bottom plan view thereof; FIG. 6 is a rear elevational view thereof; FIG. 7 is a front perspective view of an alternative embodiment of the handle-held shower with face plate showing our new design; FIG. 8 is a front elevational view thereof; FIG. 9 is a left side elevational view thereof, with the right side elevational view being a mirror image; FIG. 10 is a top plan view thereof; FIG. 11 is a bottom plan view thereof; and, FIG. 12 back elevational view thereof.

**1 Claim, 10 Drawing Sheets**

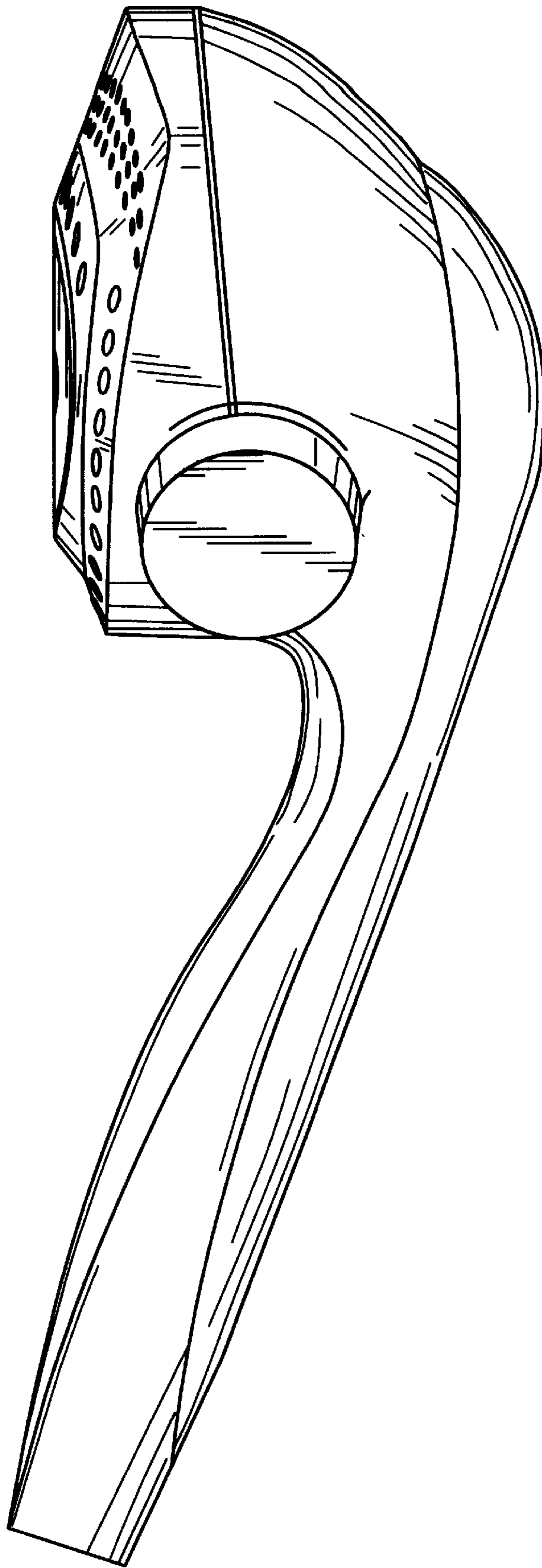




**Fig. 1**

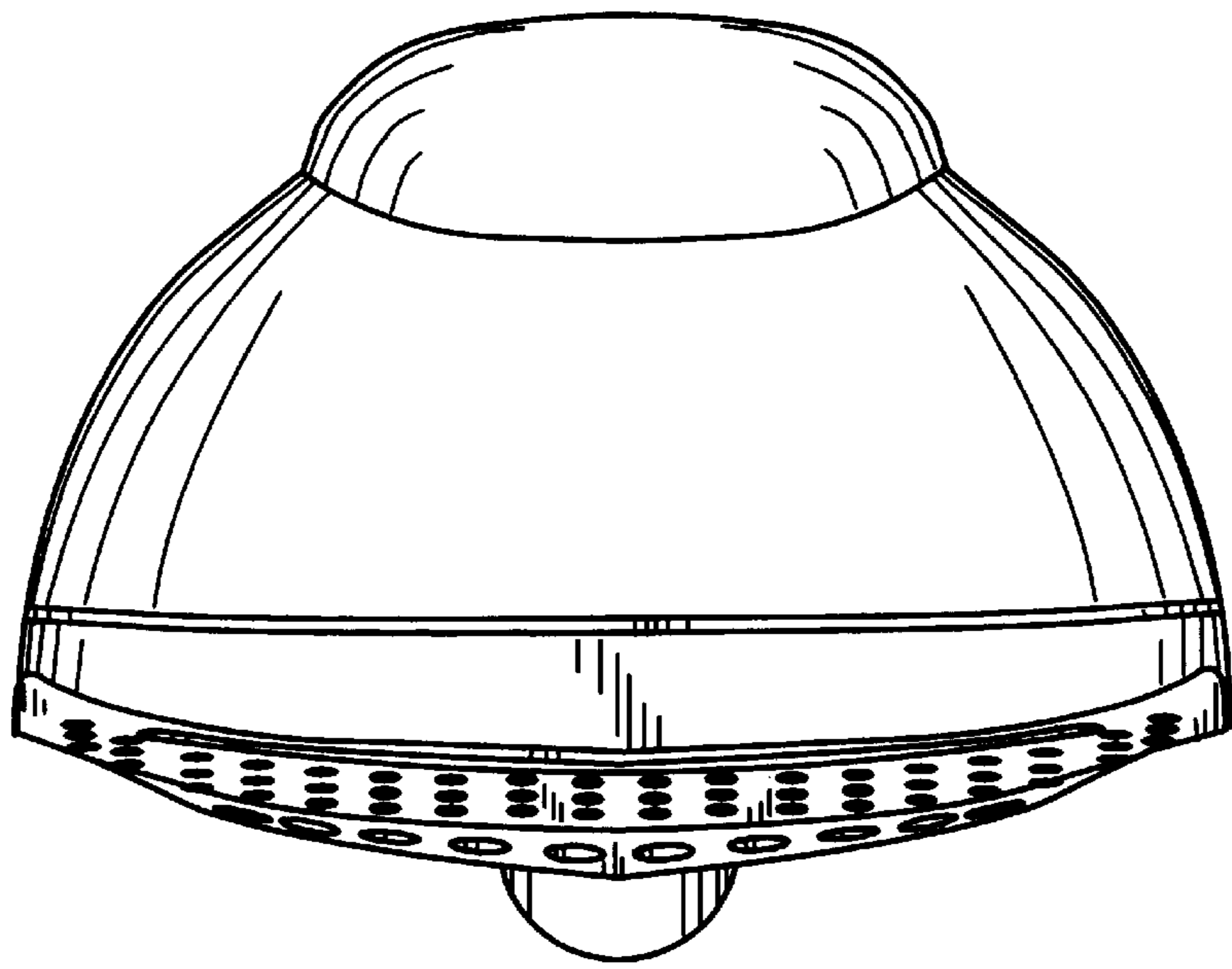


**Fig. 2**

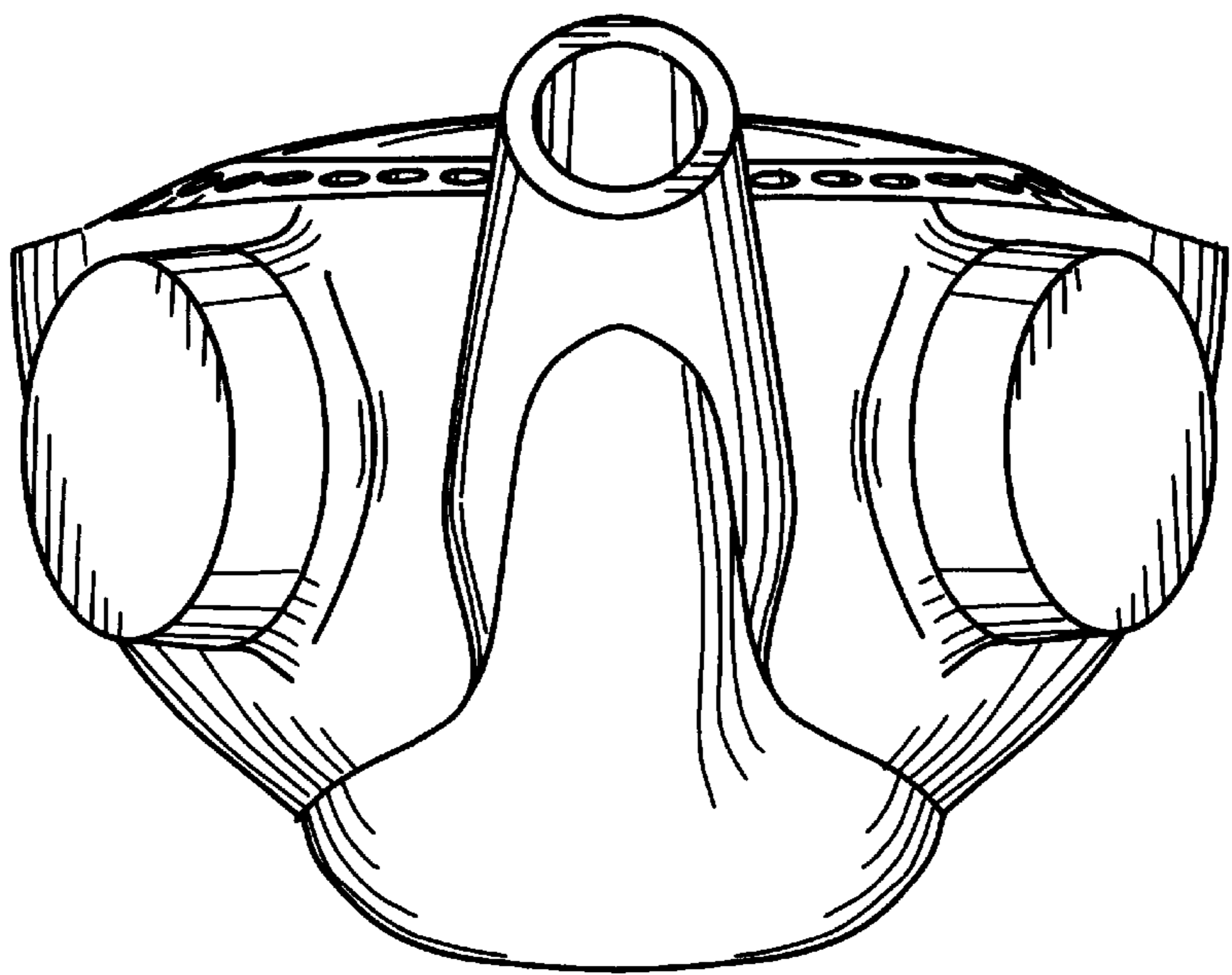


**Fig. 3**

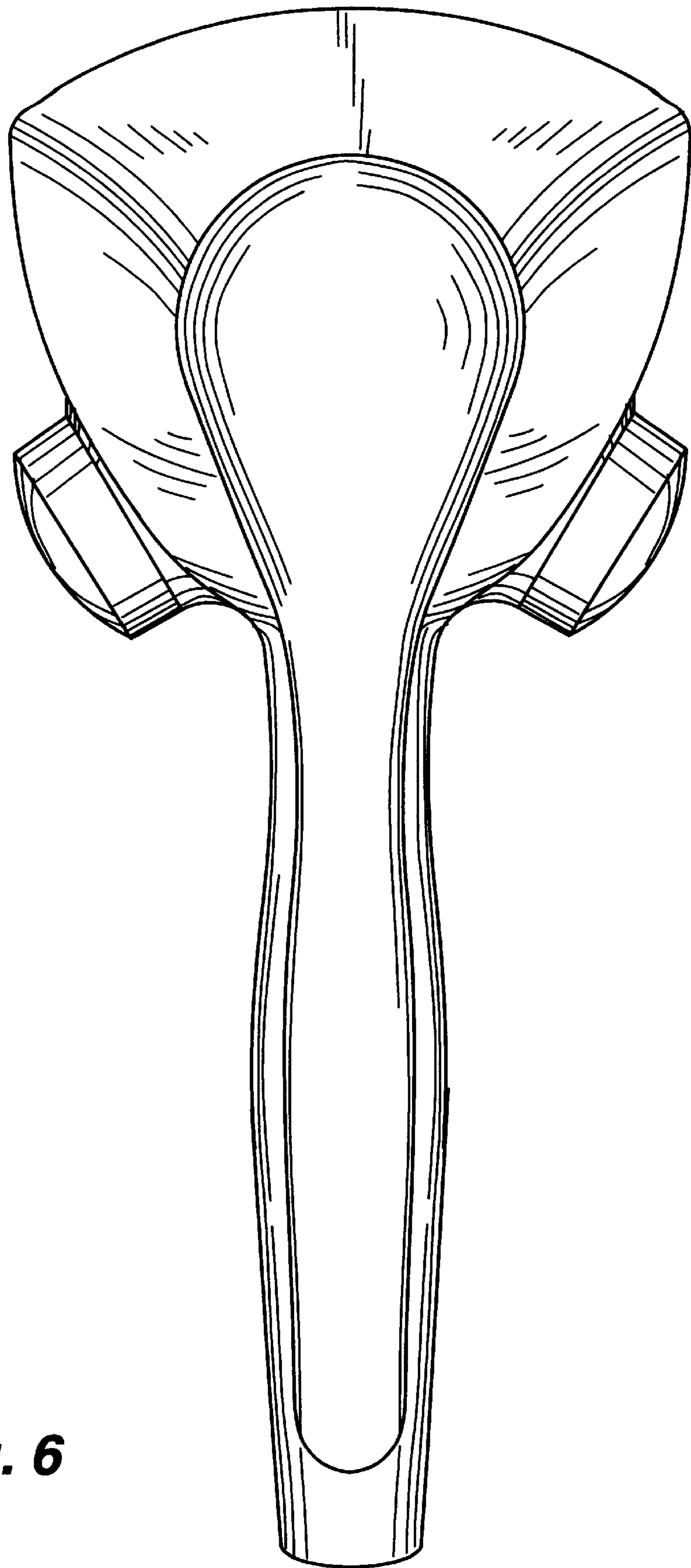




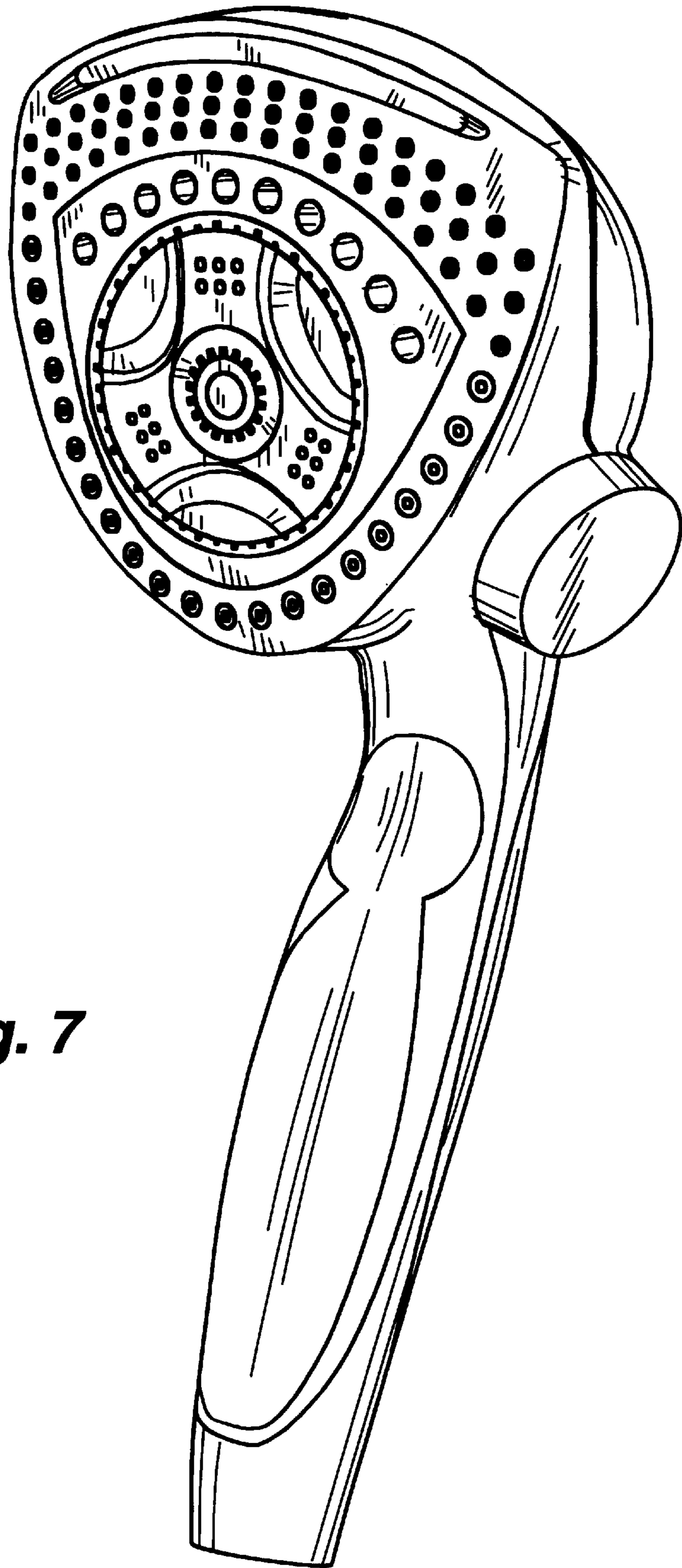
**Fig. 4**



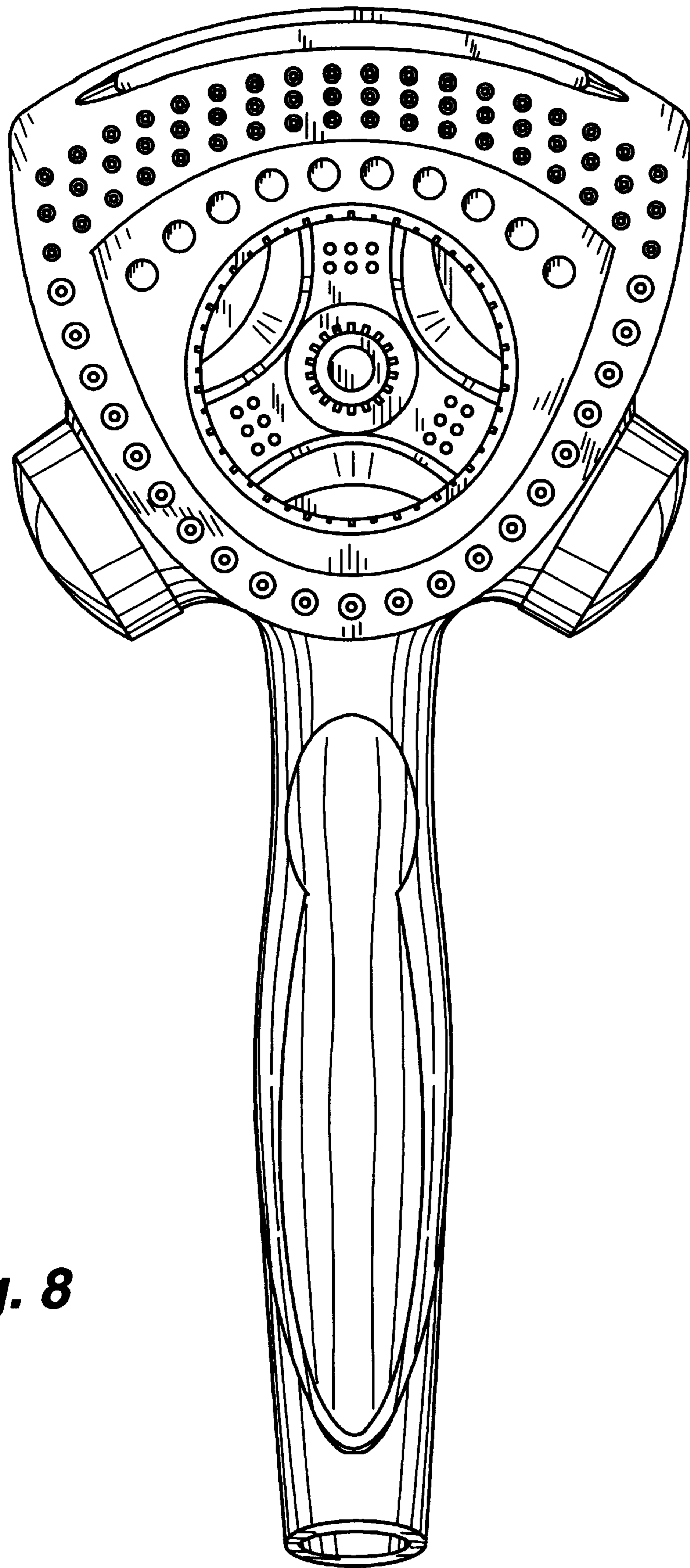
**Fig. 5**



**Fig. 6**

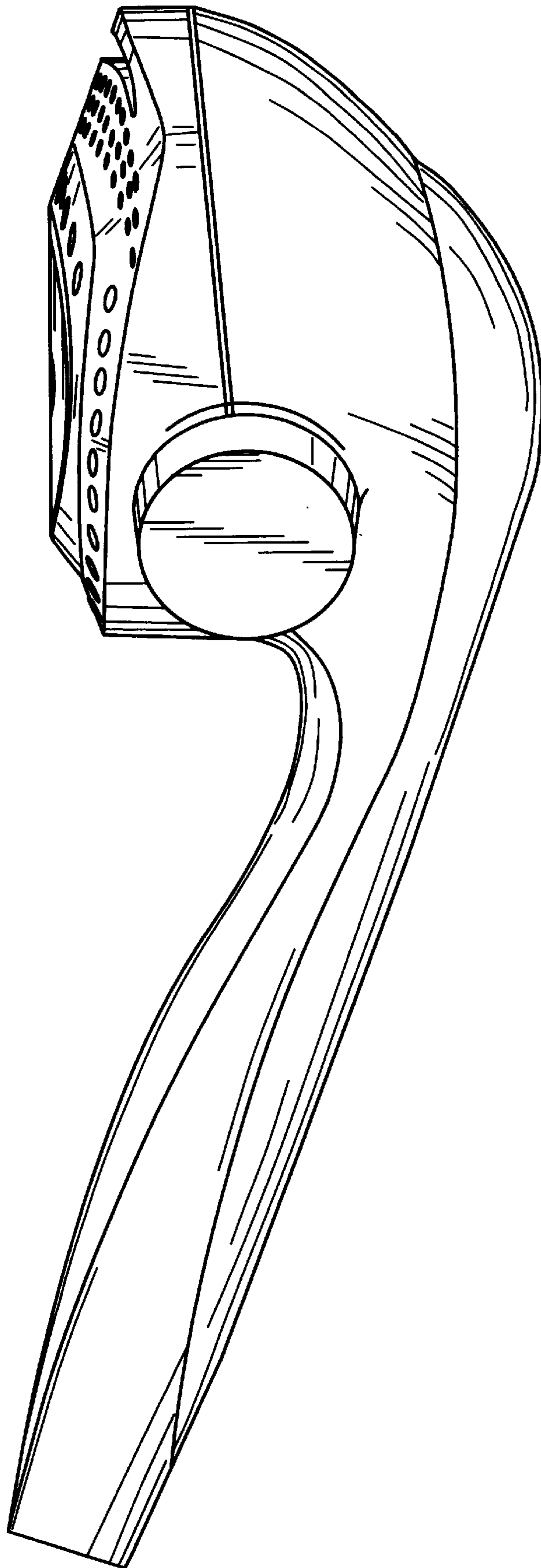


**Fig. 7**

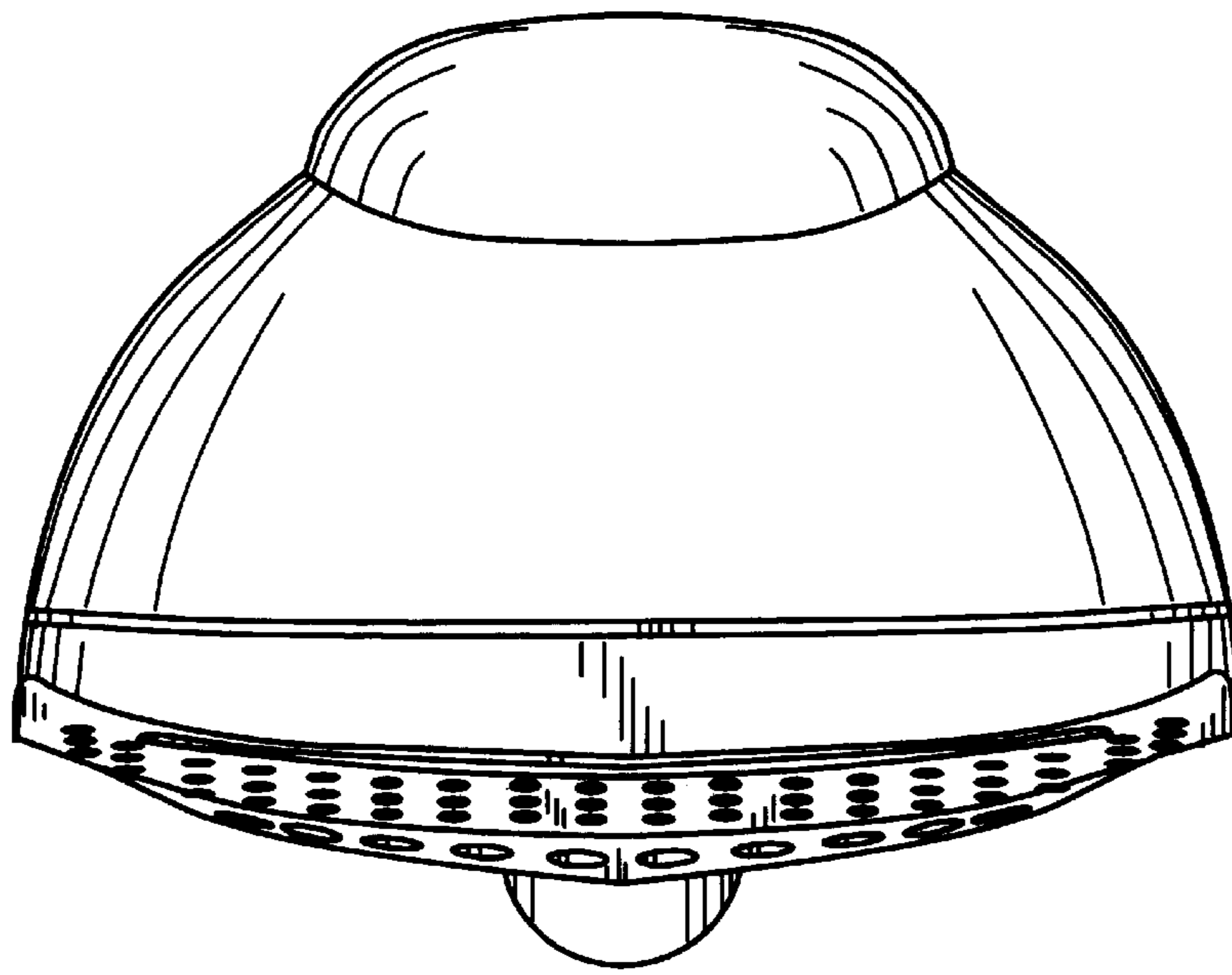


**Fig. 8**

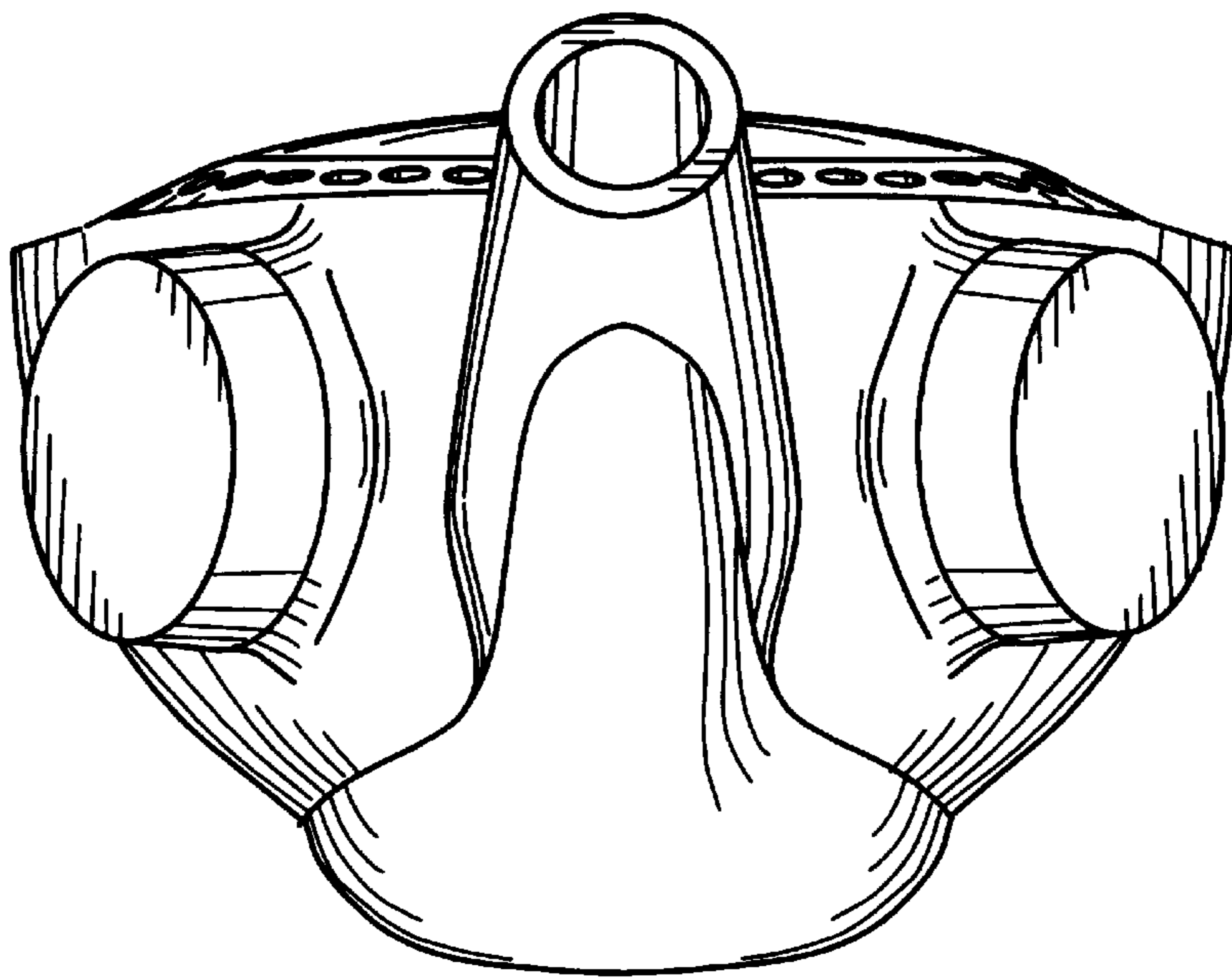




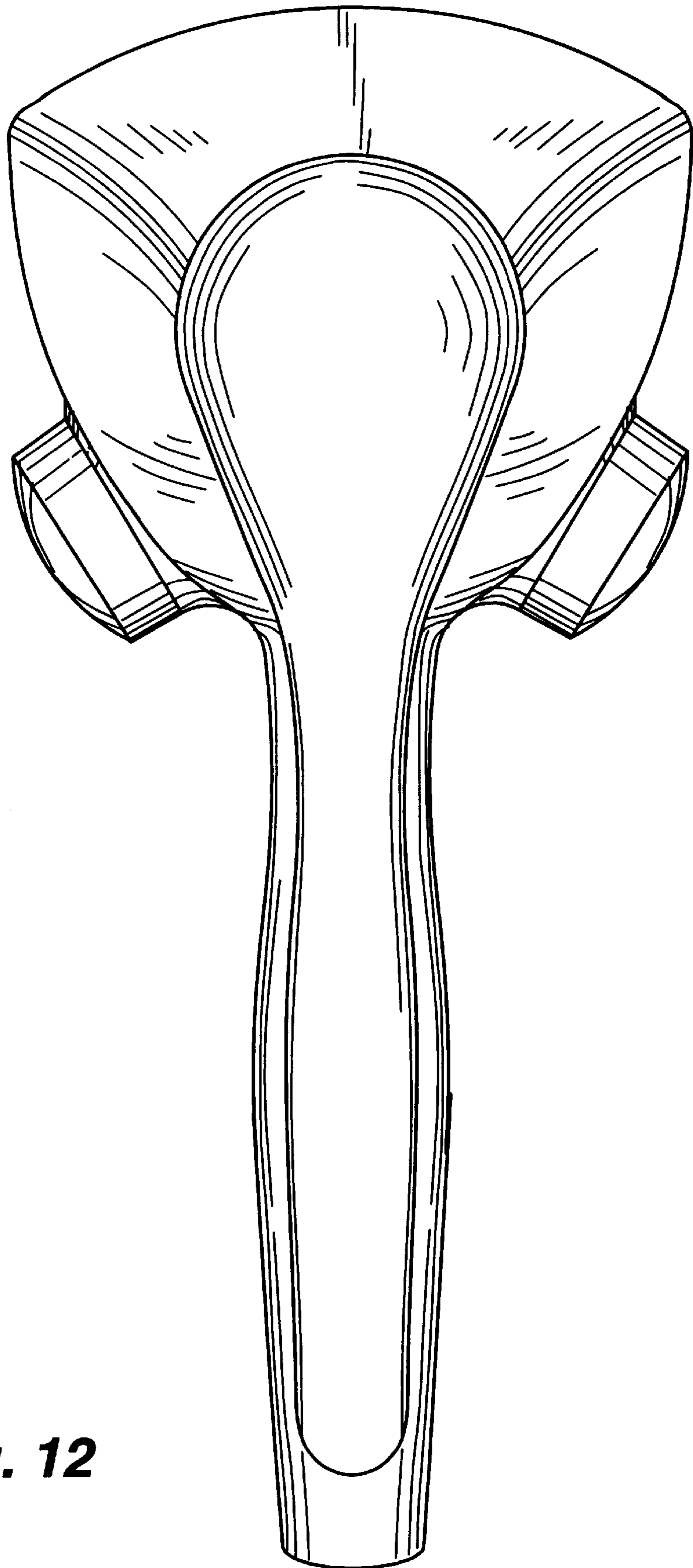
**Fig. 9**



**Fig. 10**



**Fig. 11**



**Fig. 12**