



US00D422330S

United States Patent [19] Divell

[11] Patent Number: **Des. 422,330**

[45] Date of Patent: **** Apr. 4, 2000**

[54] **GOLF CLUB WASHER**

[76] Inventor: **David Divell**, 32 Isabelle St. E.,
Plattsville, Ontario, Canada, N0J 1S0

[**] Term: **14 Years**

[21] Appl. No.: **29/102,355**

[22] Filed: **Mar. 23, 1999**

[30] Foreign Application Priority Data

Oct. 5, 1998 [CA] Canada 1998-2407

[51] **LOC (6) Cl.** **21-02**

[52] **U.S. Cl.** **D21/789**

[58] **Field of Search** D21/789, 795,
D21/791; D32/35; 15/104.92, 21.2, 88.3,
88.1, 160

[56] References Cited

U.S. PATENT DOCUMENTS

D. 216,832 3/1970 Juarez et al. D21/795

D. 399,904 10/1998 Burke et al. D21/791
3,872,534 3/1975 Hoag 15/88.3
4,069,536 1/1978 Hartz et al. 15/104.92
4,380,839 4/1983 Caradonna 15/104.92

Primary Examiner—Mitchell Siegel

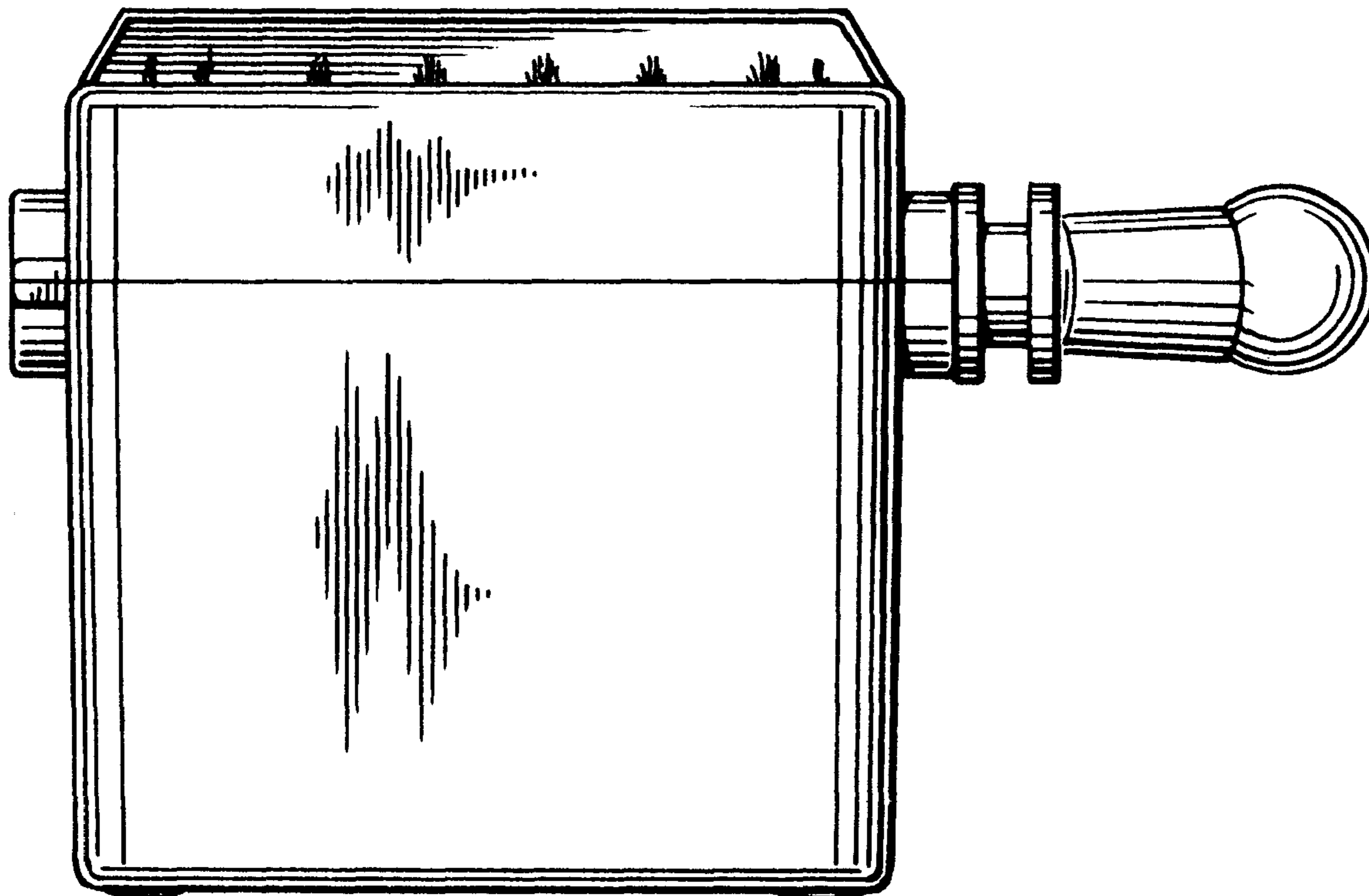
[57] CLAIM

The ornamental design for a golf club washer, as shown and described.

DESCRIPTION

FIG. 1 is a front view of the golf club washer;
FIG. 2 is a rear view of the golf club washer;
FIG. 3 is a left side view of the golf club washer;
FIG. 4 is a right side view of the golf club washer;
FIG. 5 is a top view of the golf club washer; and,
FIG. 6 is a bottom view of the golf club washer.

1 Claim, 3 Drawing Sheets



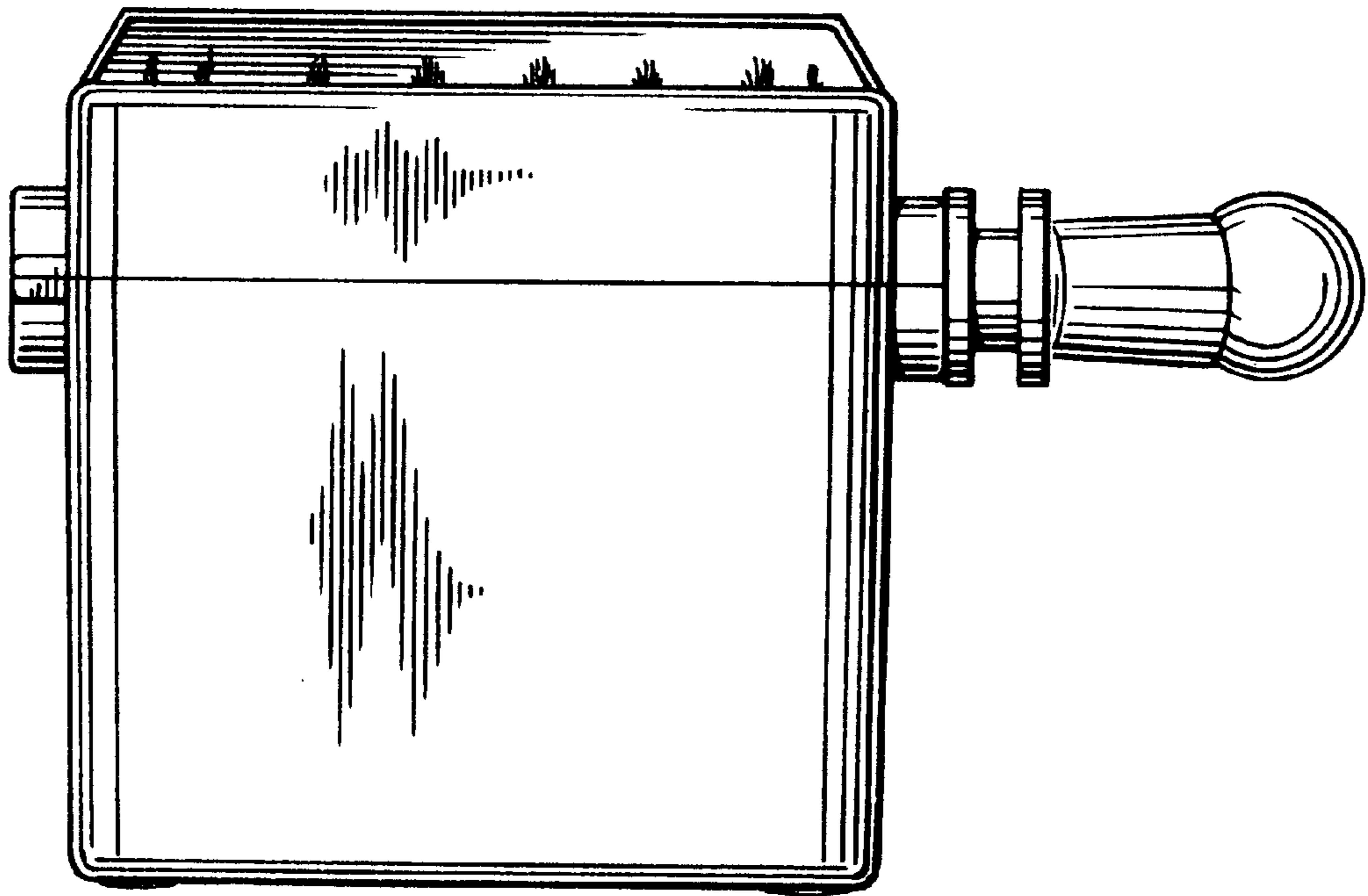


FIG. 1

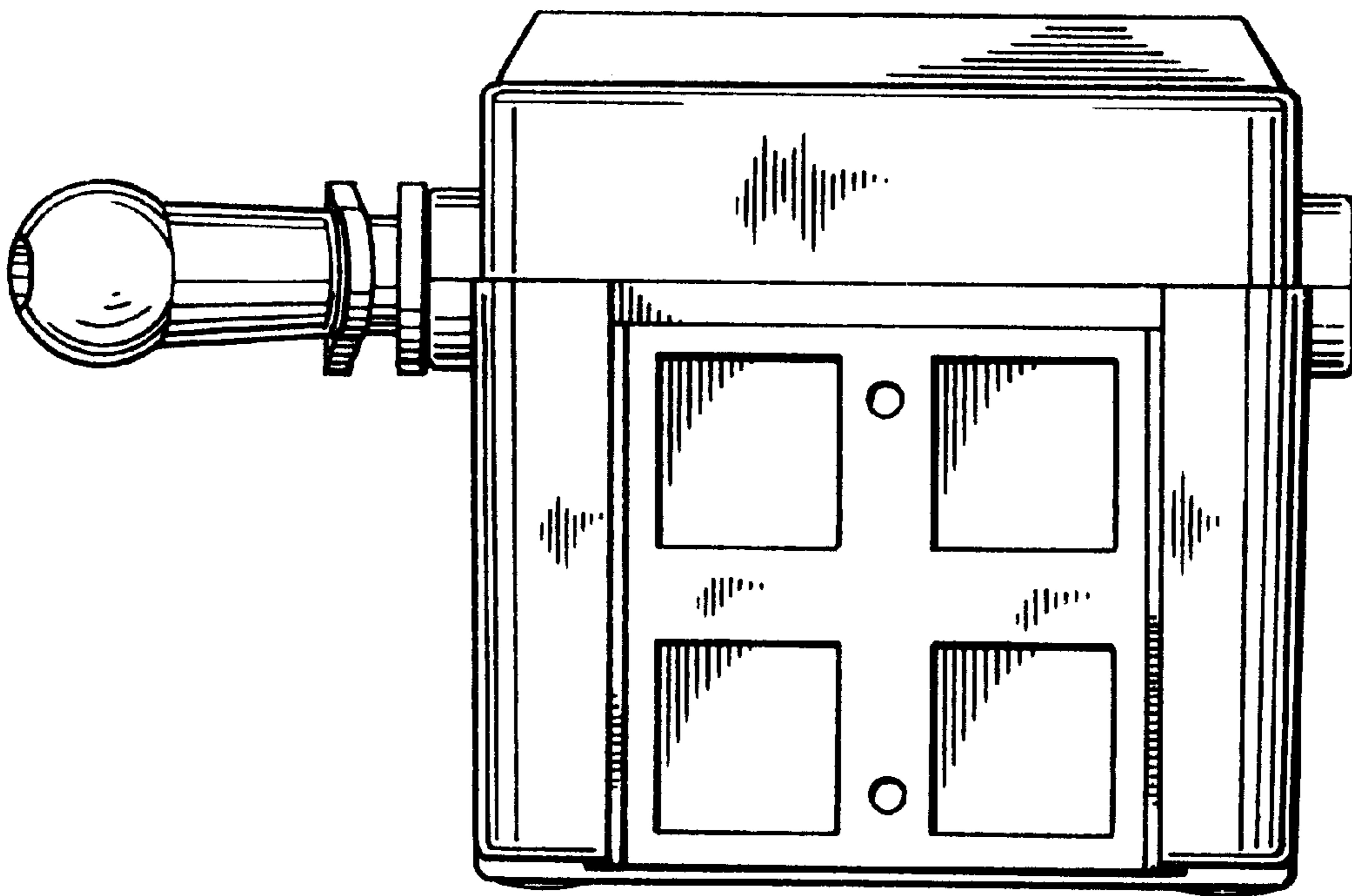


FIG. 2

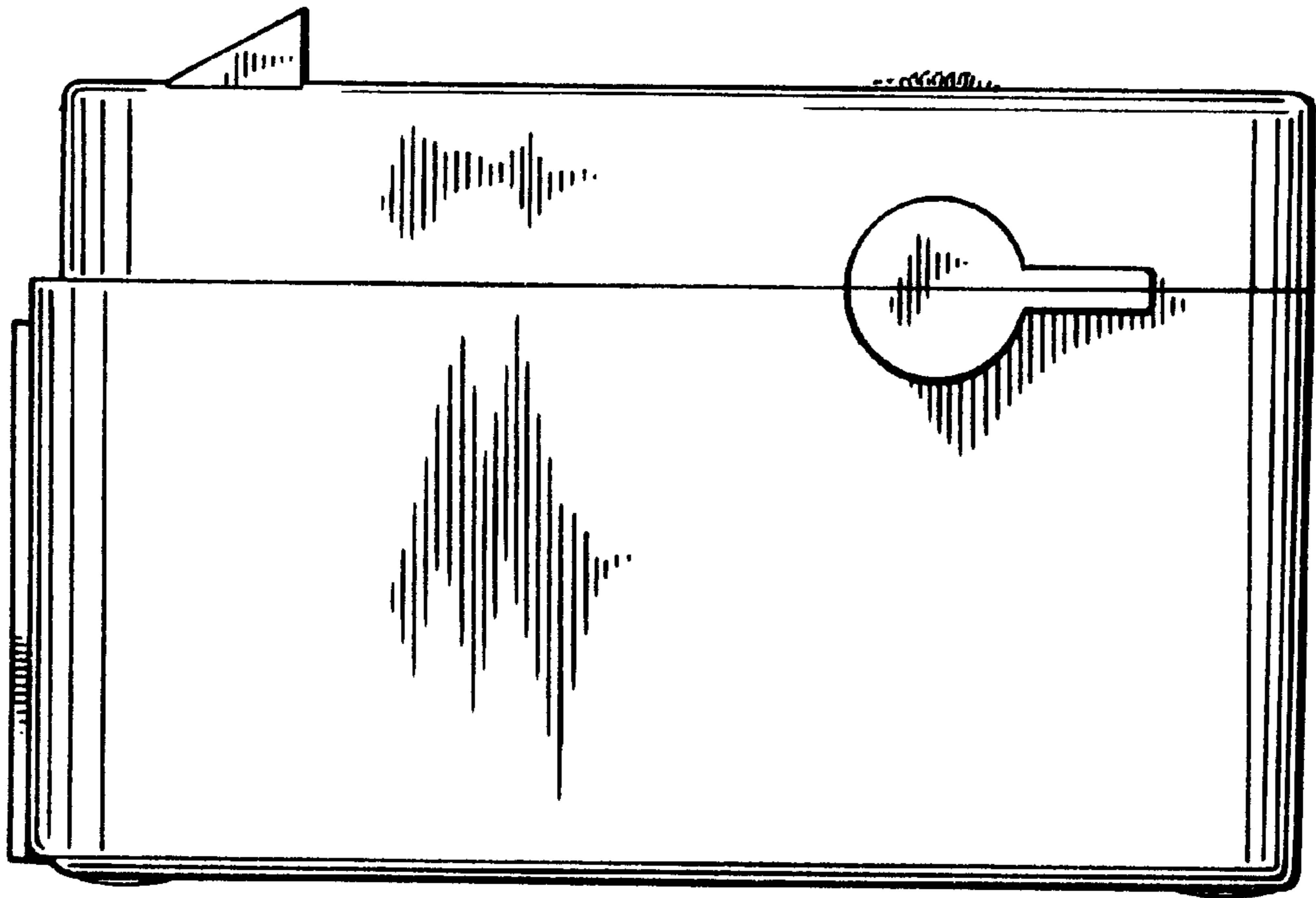


FIG. 3

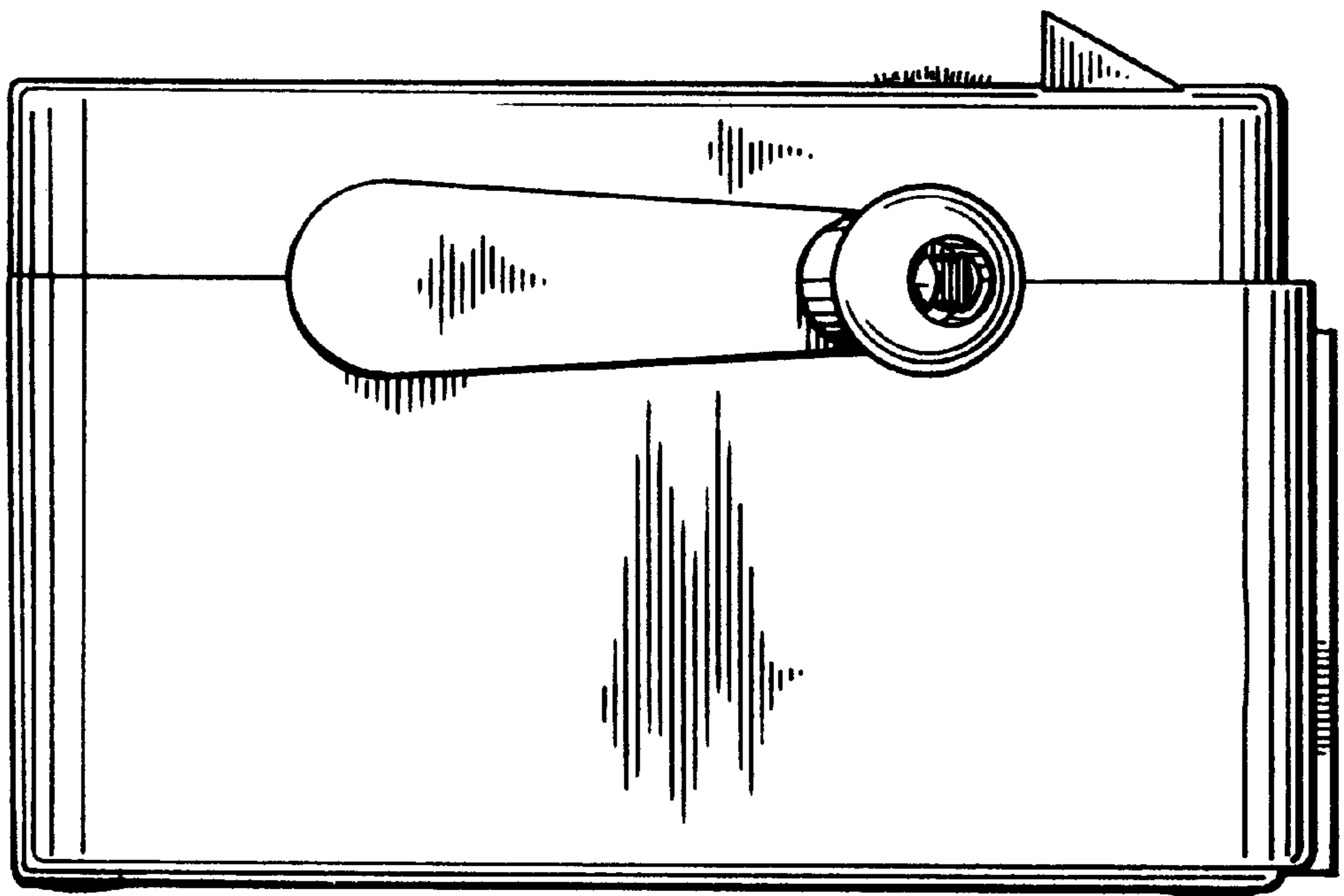


FIG. 4

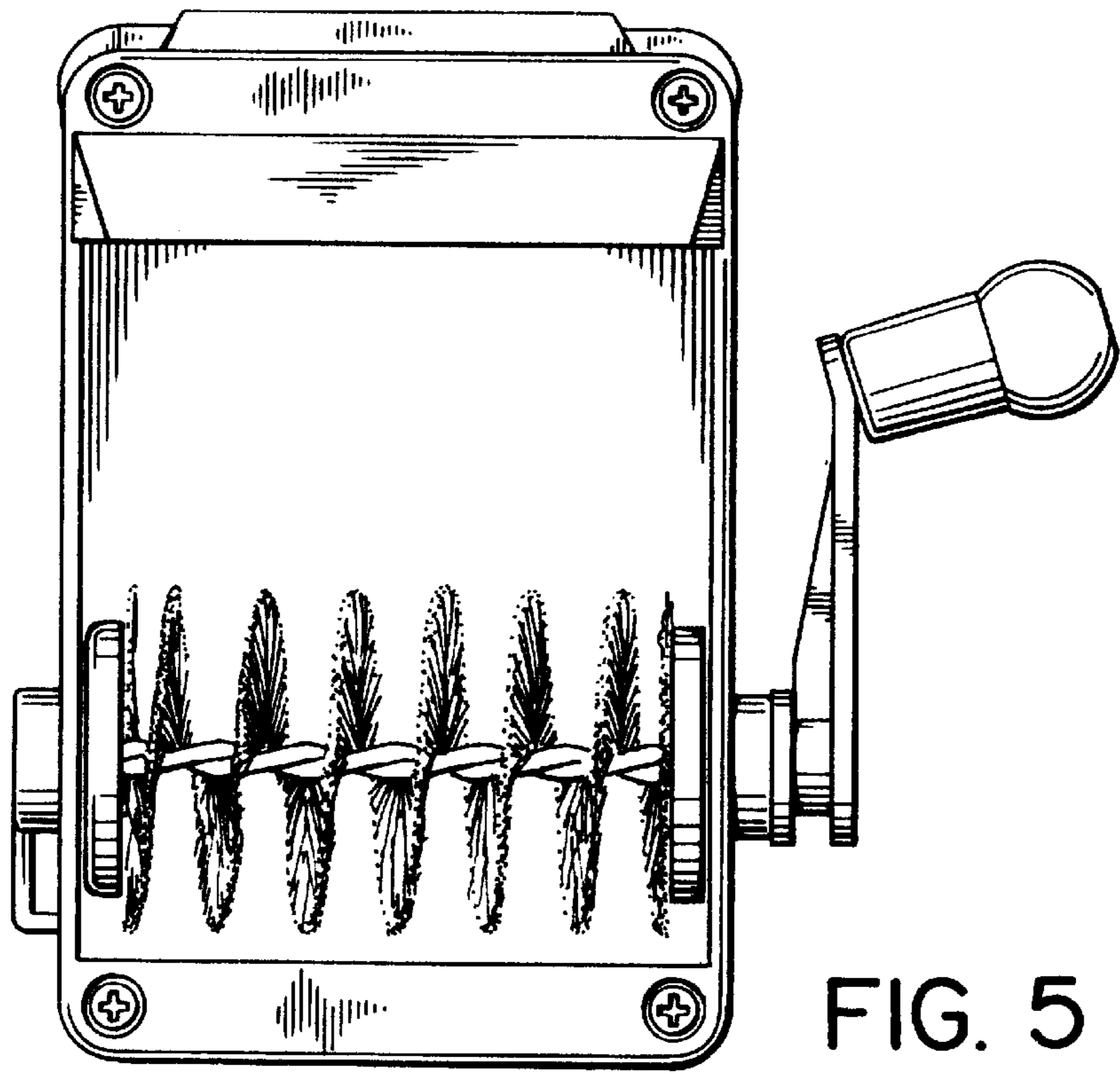


FIG. 5

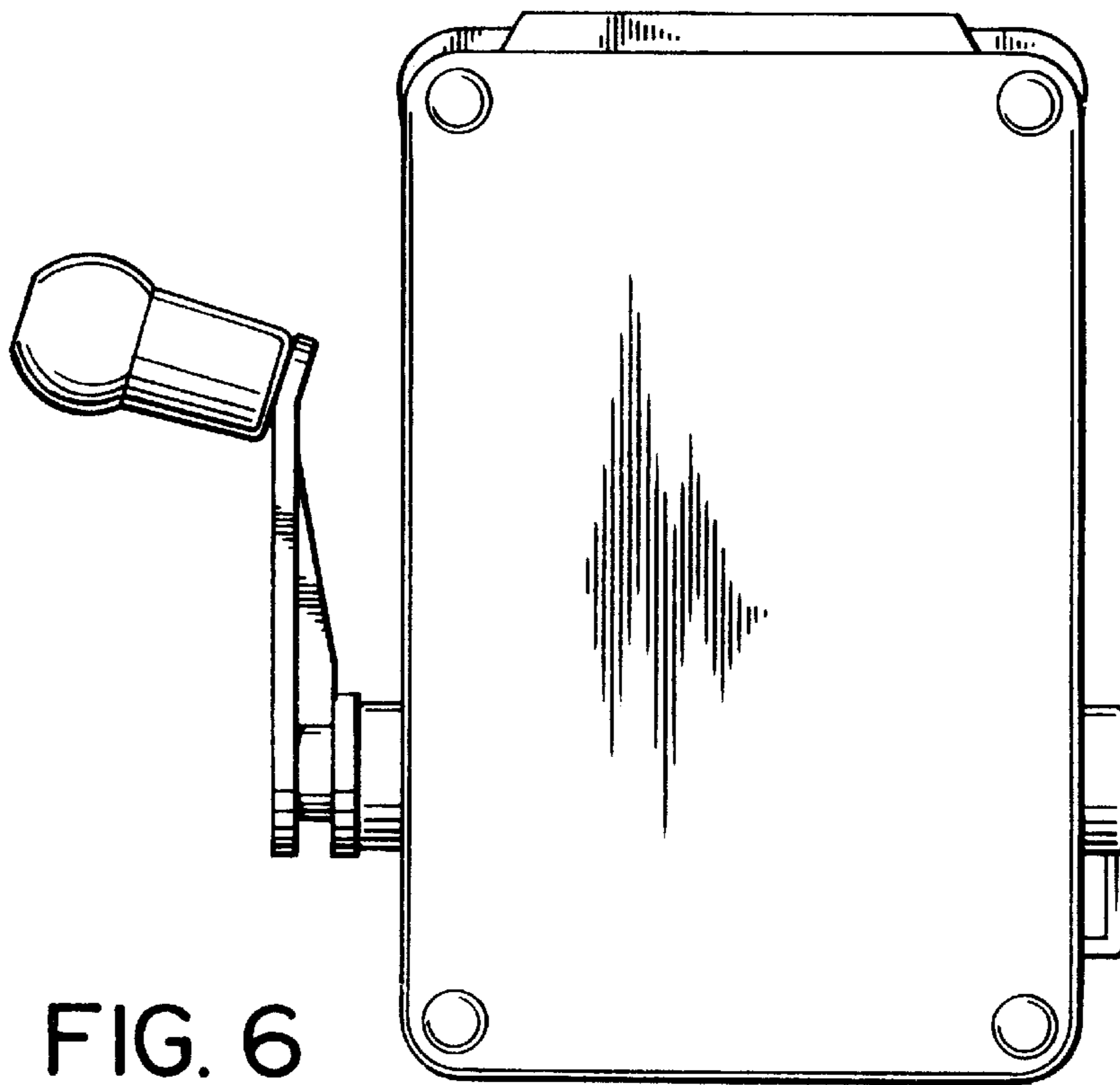


FIG. 6