



US00D422328S

**United States Patent** [19]  
**Lannoch**

[11] **Patent Number: Des. 422,328**  
[45] **Date of Patent: \*\* Apr. 4, 2000**

[54] **GOLF PUTTER HEAD**

[76] Inventor: **Hans-Jurgen Lannoch**, Hauptstrasse  
57, 76351 Linkenheim-Hochstetten,  
Germany

[\*\*] Term: **14 Years**

[21] Appl. No.: **29/089,311**

[22] Filed: **Jun. 12, 1998**

[30] **Foreign Application Priority Data**

Dec. 13, 1997 [DE] Germany ..... M 97 11 716

[51] **LOC (6) Cl.** ..... **21-02**

[52] **U.S. Cl.** ..... **D21/743**

[58] **Field of Search** ..... D21/736-746,  
D21/735; 473/324, 340, 341, 251-256

[56] **References Cited**

**U.S. PATENT DOCUMENTS**

D. 185,522	6/1959	Whitney	.....	D21/741
D. 208,313	8/1967	Machos	.....	D21/741
D. 229,204	11/1973	Romero	.....	D21/741
D. 317,962	7/1991	Pelz	.....	D21/735
D. 323,688	2/1992	Whitney	.....	D21/741
D. 324,250	2/1992	Magness	.....	D21/741
D. 354,535	1/1995	Queen	.....	D21/743

**FOREIGN PATENT DOCUMENTS**

296 08 295 U 7/1996 Germany .

**OTHER PUBLICATIONS**

Edwin Watts:p. 17; Momentum putter, bottom right corner,  
May 1993.

*Primary Examiner*—Mitchell I Siegel  
*Attorney, Agent, or Firm*—Pillsbury Madison & Sutro

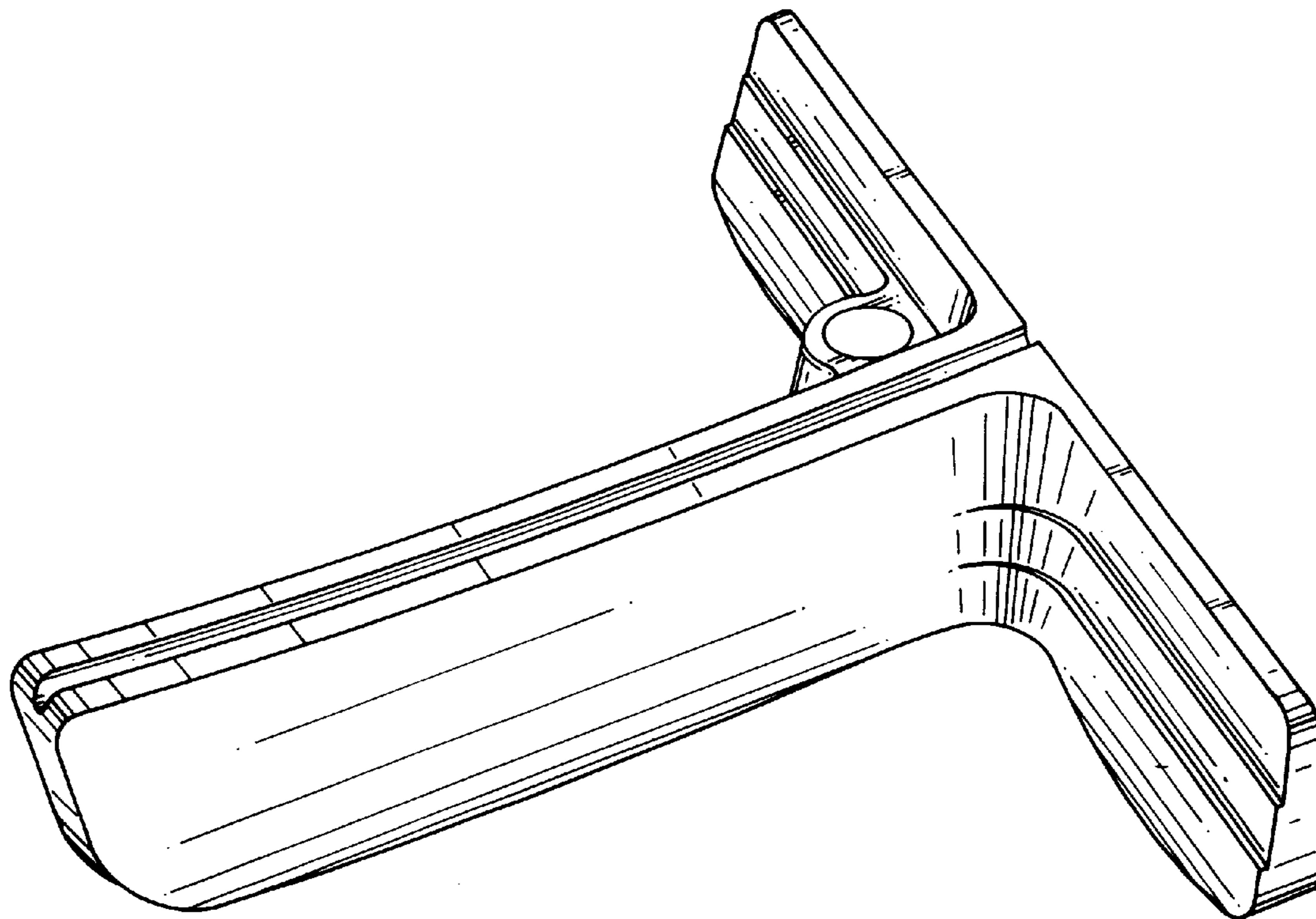
[57] **CLAIM**

The ornamental design for a golf putter head, as shown and  
described.

**DESCRIPTION**

FIG. 1 is a front prospective view, seen from above, of a golf  
putter according to my new design;  
FIG. 2 is a right side perspective view, seen from above;  
FIG. 3 is a rear perspective view thereof, seen from the right  
side and from above;  
FIG. 4 is a left side prospective view thereof, seen from  
below;  
FIG. 5 is a top plan view thereof;  
FIG. 6 is a front elevational view thereof;  
FIG. 7 is a left side elevational view thereof; and,  
FIG. 8 is a right side elevational view thereof.  
FIG. 1 additionally shows, in broken lines, the lower portion  
of a golf club shaft which will be secured to the putter head  
in a complete putter. The shaft does not form part of the  
novel design.

**1 Claim, 3 Drawing Sheets**



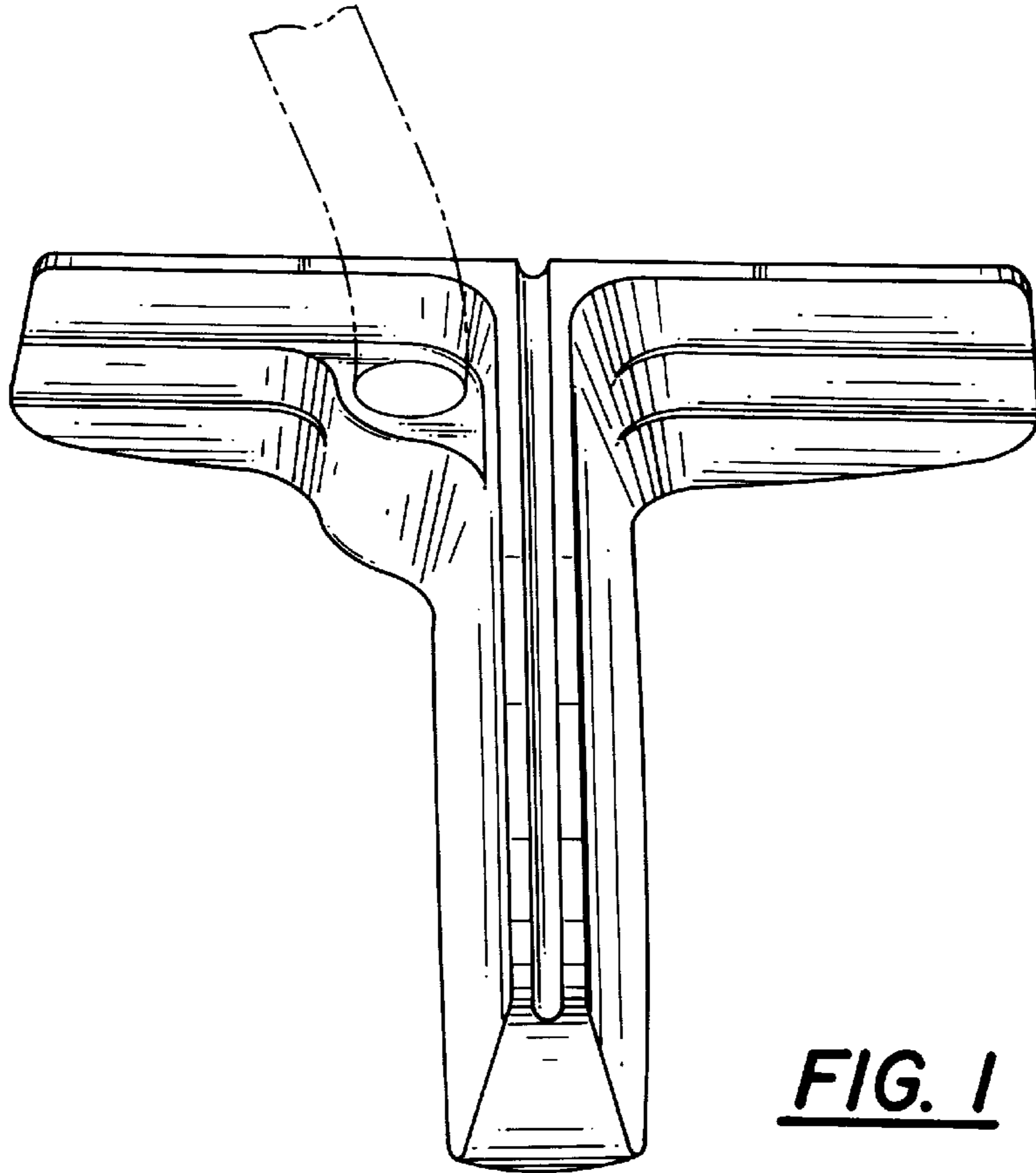


FIG. 1

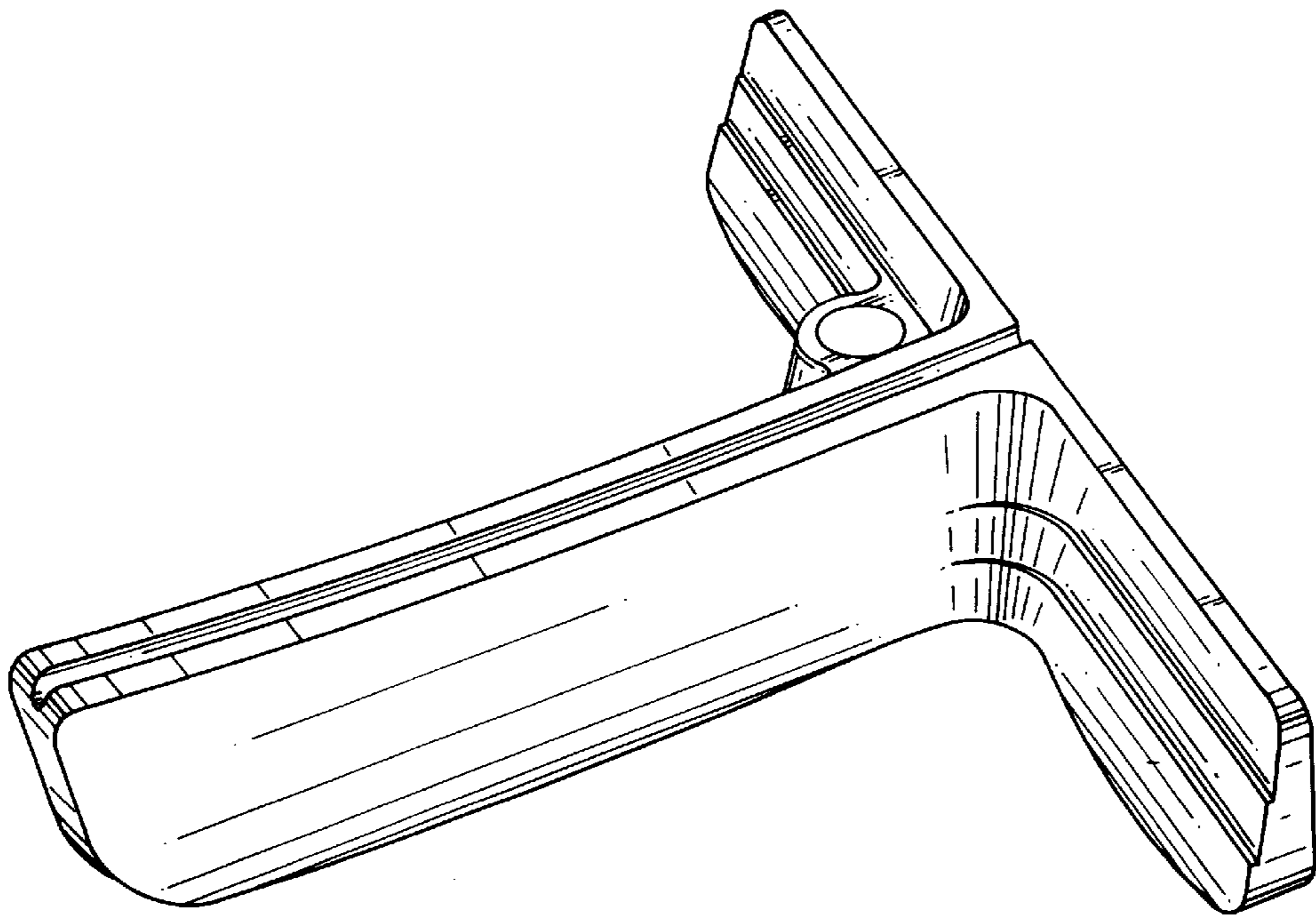


FIG. 2

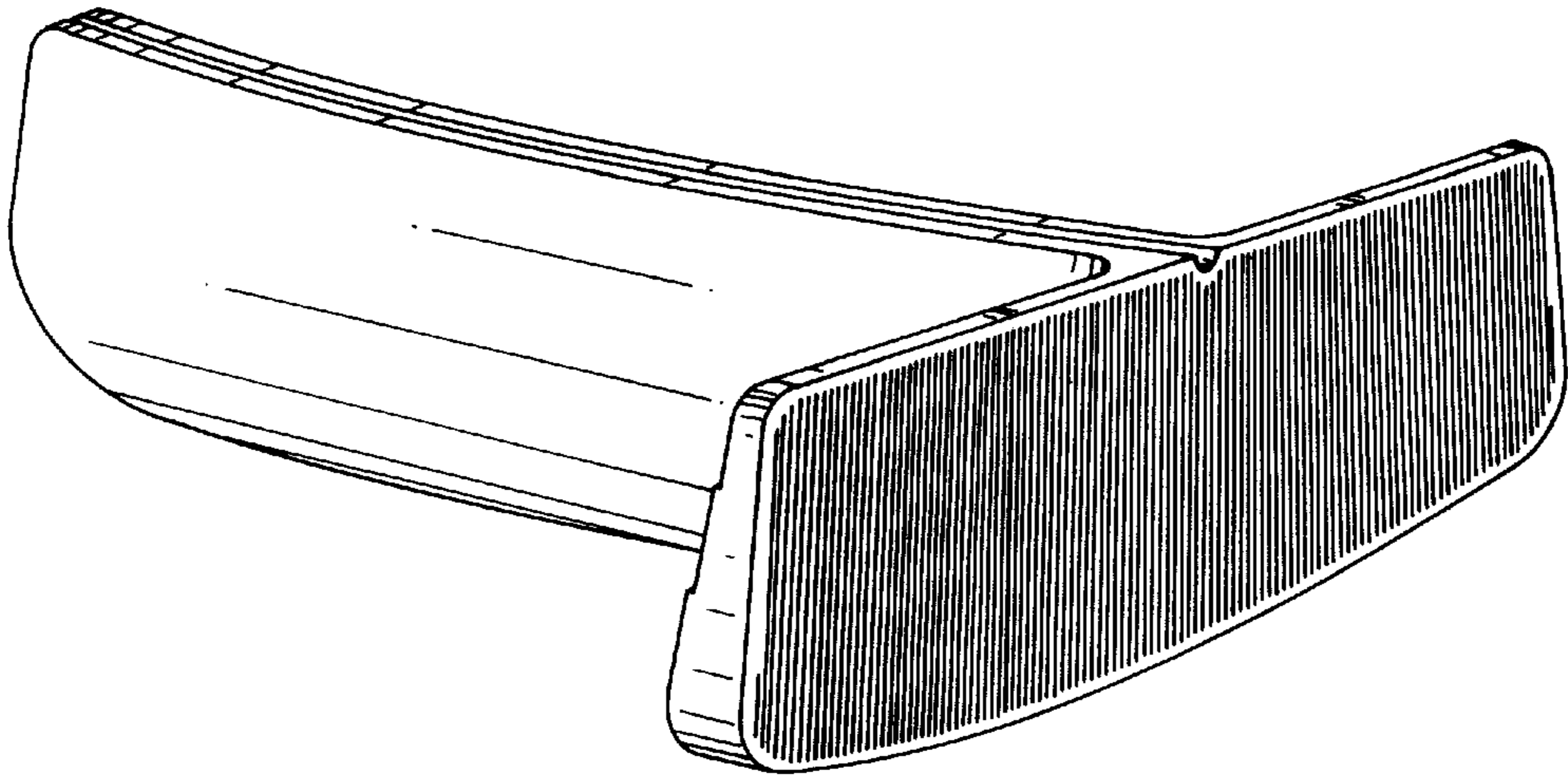


FIG. 3

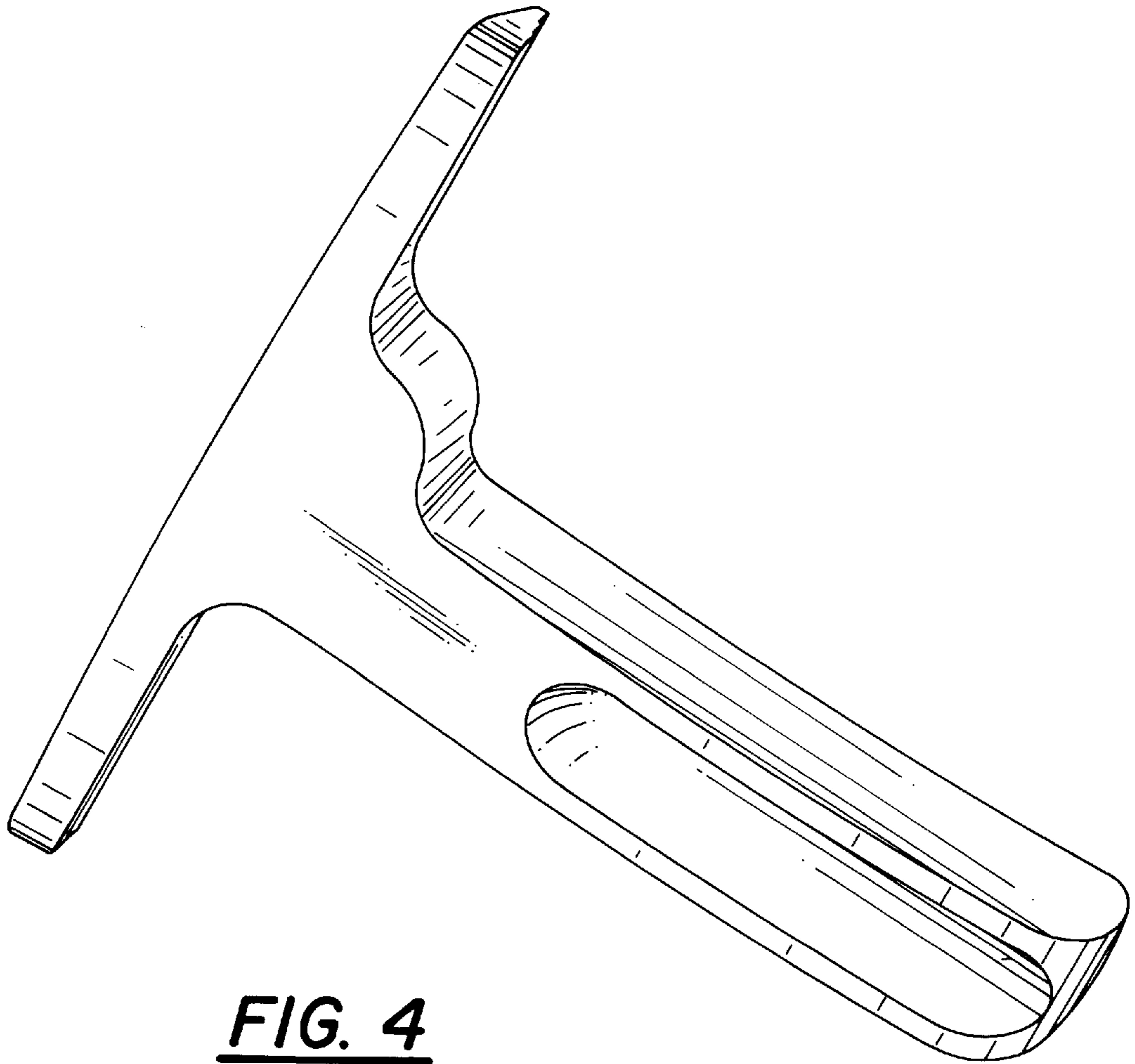


FIG. 4

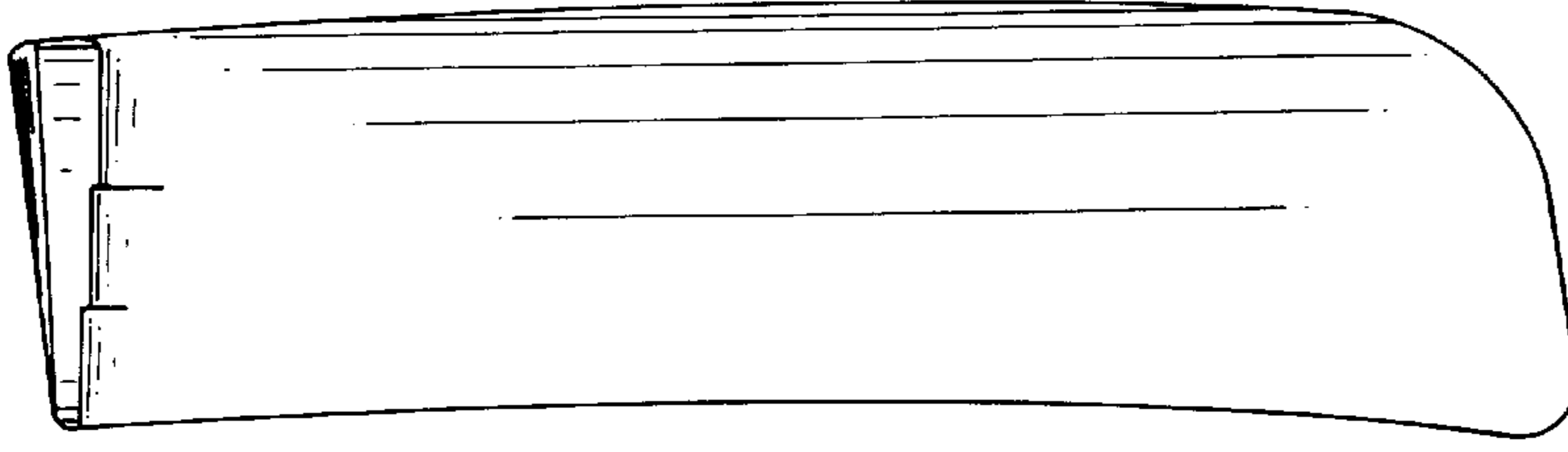


FIG. 8

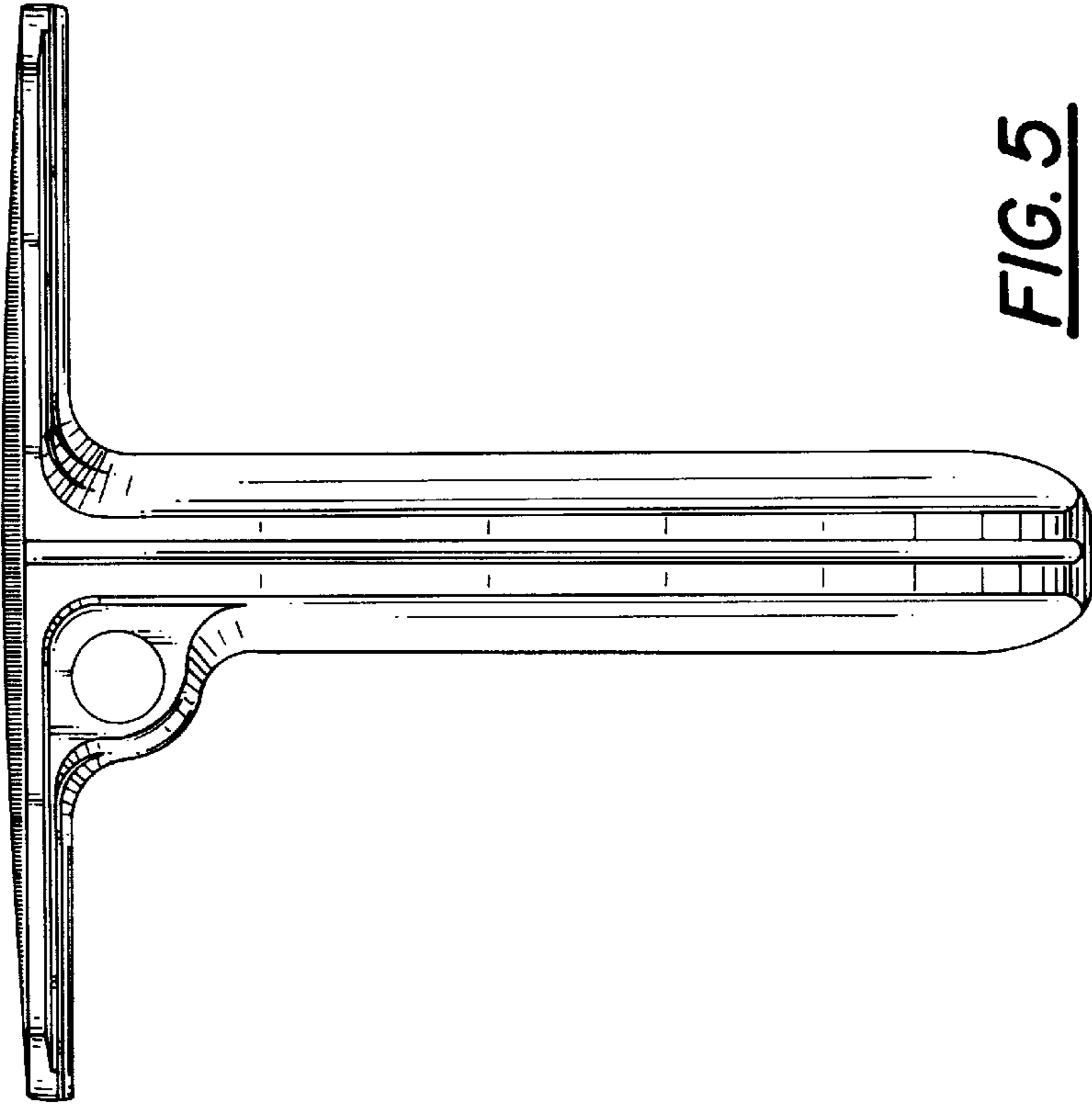


FIG. 5

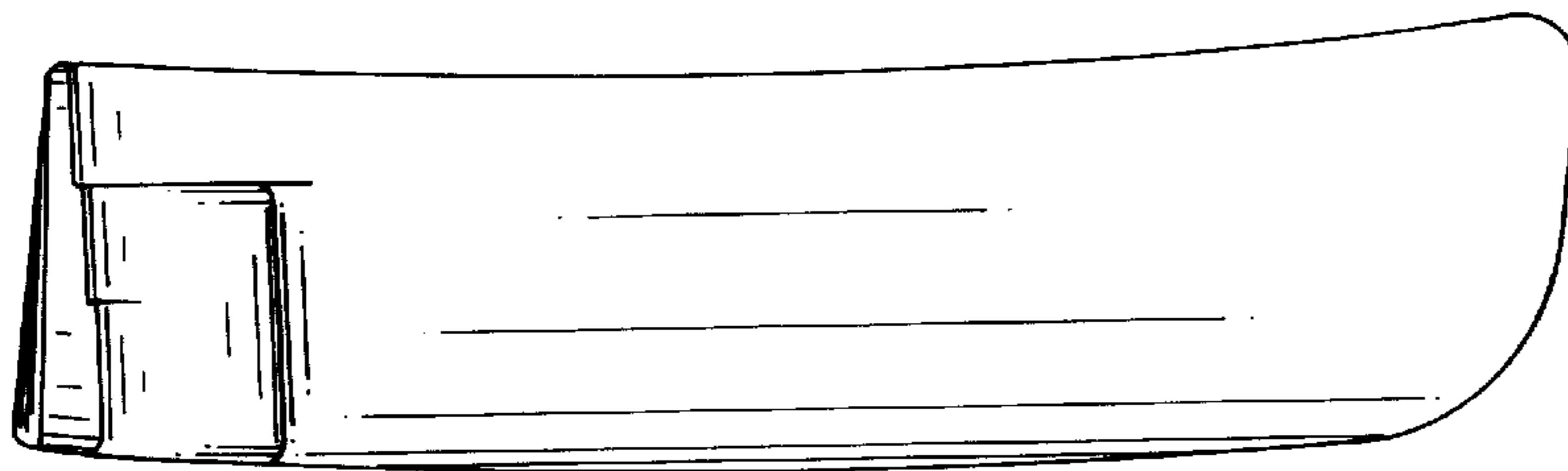


FIG. 7

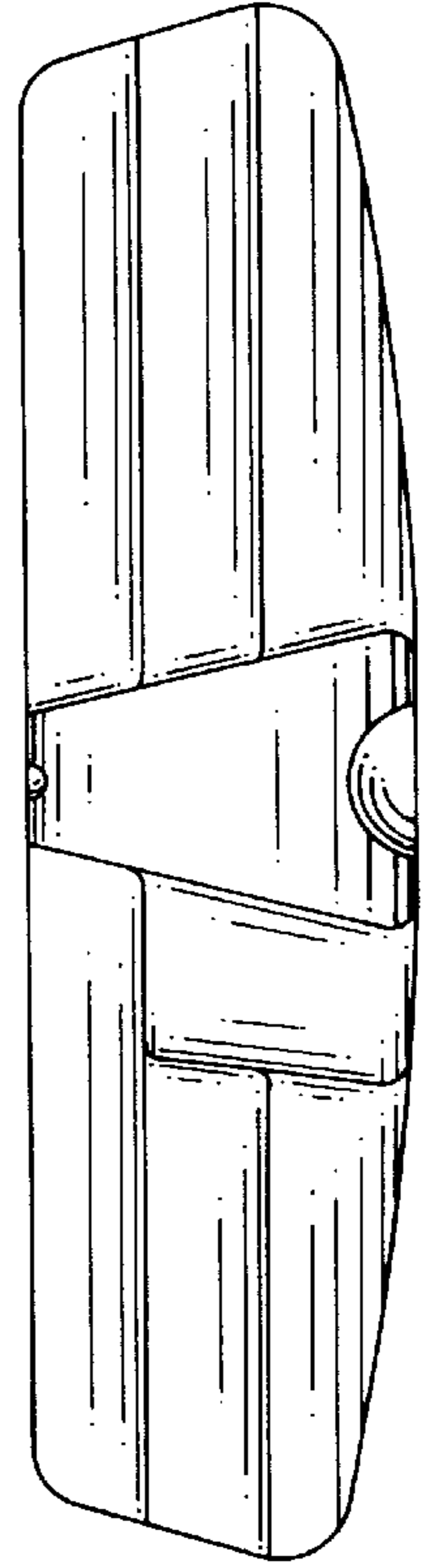


FIG. 6