



US00D422327S

# United States Patent [19]

Takaoka et al.

[11] Patent Number: **Des. 422,327**

[45] Date of Patent: **\*\* Apr. 4, 2000**

[54] **GOLF CLUB HEAD**

[75] Inventors: **Hirohiko Takaoka; Masahiko Nagahama**, both of Tokyo, Japan

[73] Assignee: **The Yokohama Rubber Co., Ltd.**, Tokyo, Japan

[\*\*] Term: **14 Years**

[21] Appl. No.: **29/090,757**

[22] Filed: **Jul. 14, 1998**

[51] **LOC (6) Cl.** ..... **21-02**

[52] **U.S. Cl.** ..... **D21/733**

[58] **Field of Search** ..... D21/733, 752; 473/345, 346, 324, 327, 328, 330, 331

[56] **References Cited**

**U.S. PATENT DOCUMENTS**

D. 180,602	7/1957	Karns	.....	D21/733
D. 275,412	9/1984	Simmons	.....	D21/752
5,346,217	9/1994	Tsuchiya et al.	.....	473/345

*Primary Examiner*—Mitchell Siegel  
*Attorney, Agent, or Firm*—Finnegan, Henderson, Farabow, Garrett & Dunner, L.L.P.

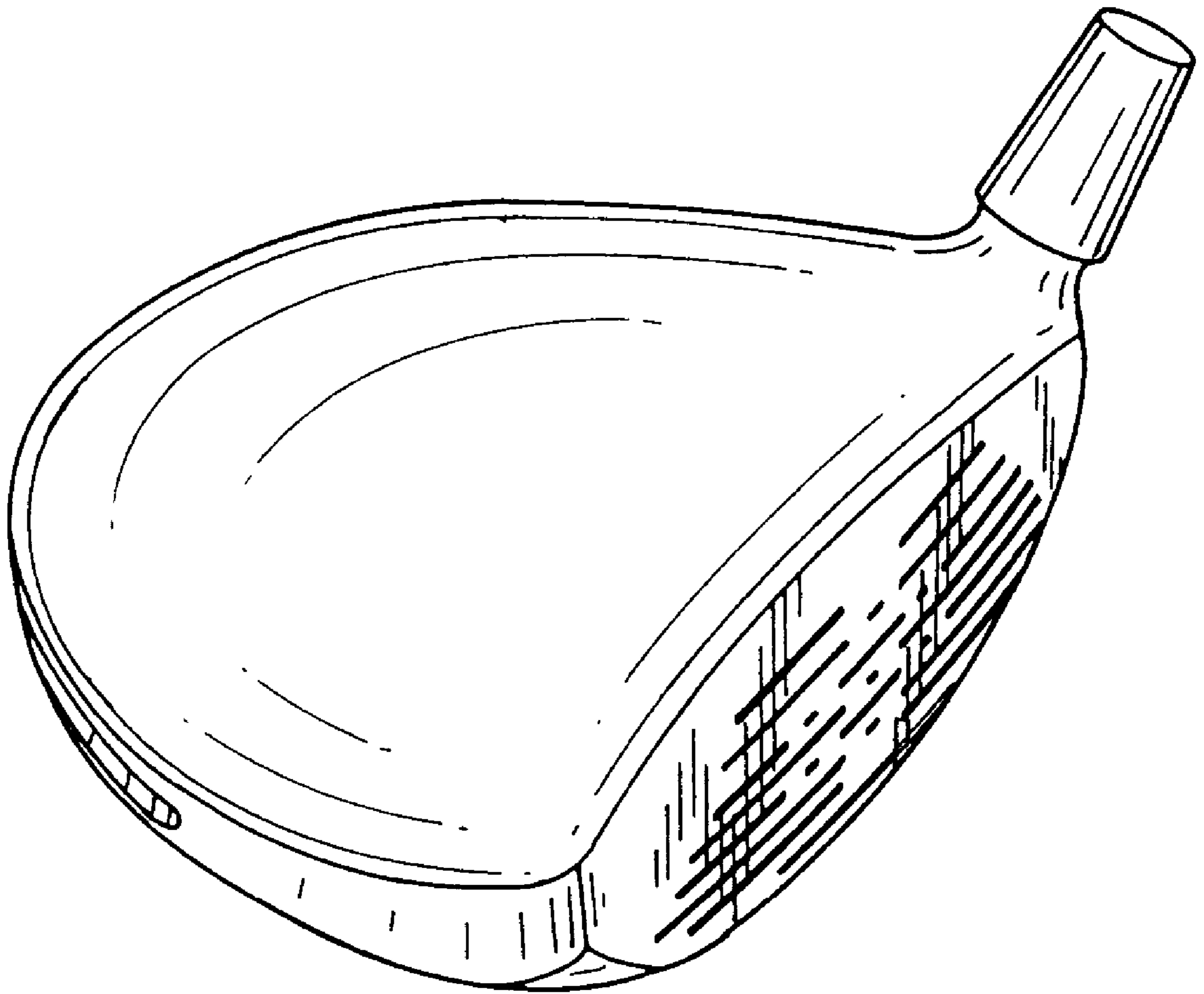
[57] **CLAIM**

The ornamental design for a golf club head, as shown and described.

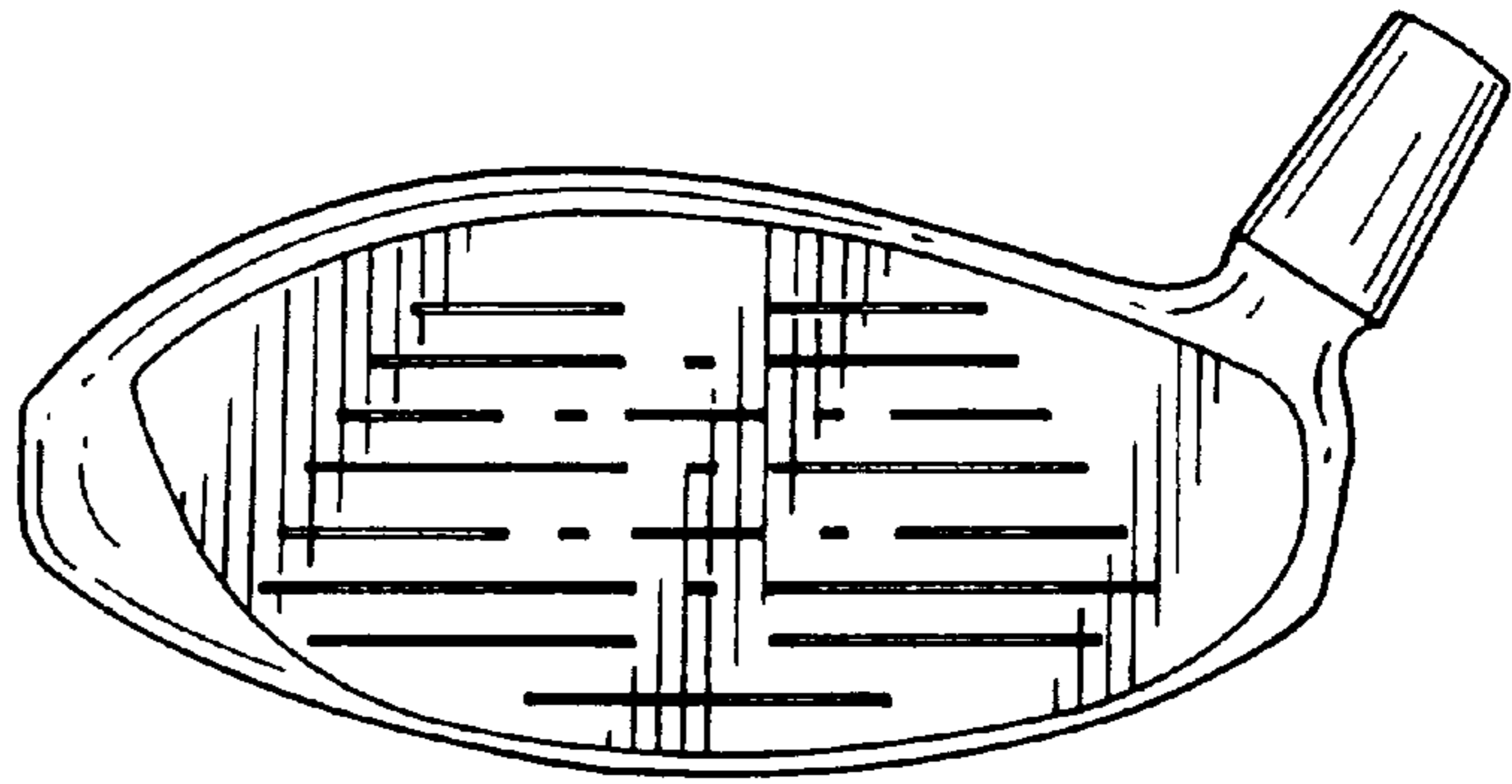
**DESCRIPTION**

FIG. 1 is a front view of a golf club head showing our new design;  
FIG. 2 is a rear view of FIG. 1;  
FIG. 3 is a left side view of FIG. 1;  
FIG. 4 is a right side view of FIG. 1;  
FIG. 5 is a top plan view of FIG. 1;  
FIG. 6 is a bottom plan view of FIG. 1;  
FIG. 7 is a perspective view of the front side of the golf club head of FIG. 1; and,  
FIG. 8 is a perspective view of the rear side of the golf club head of FIG. 1.

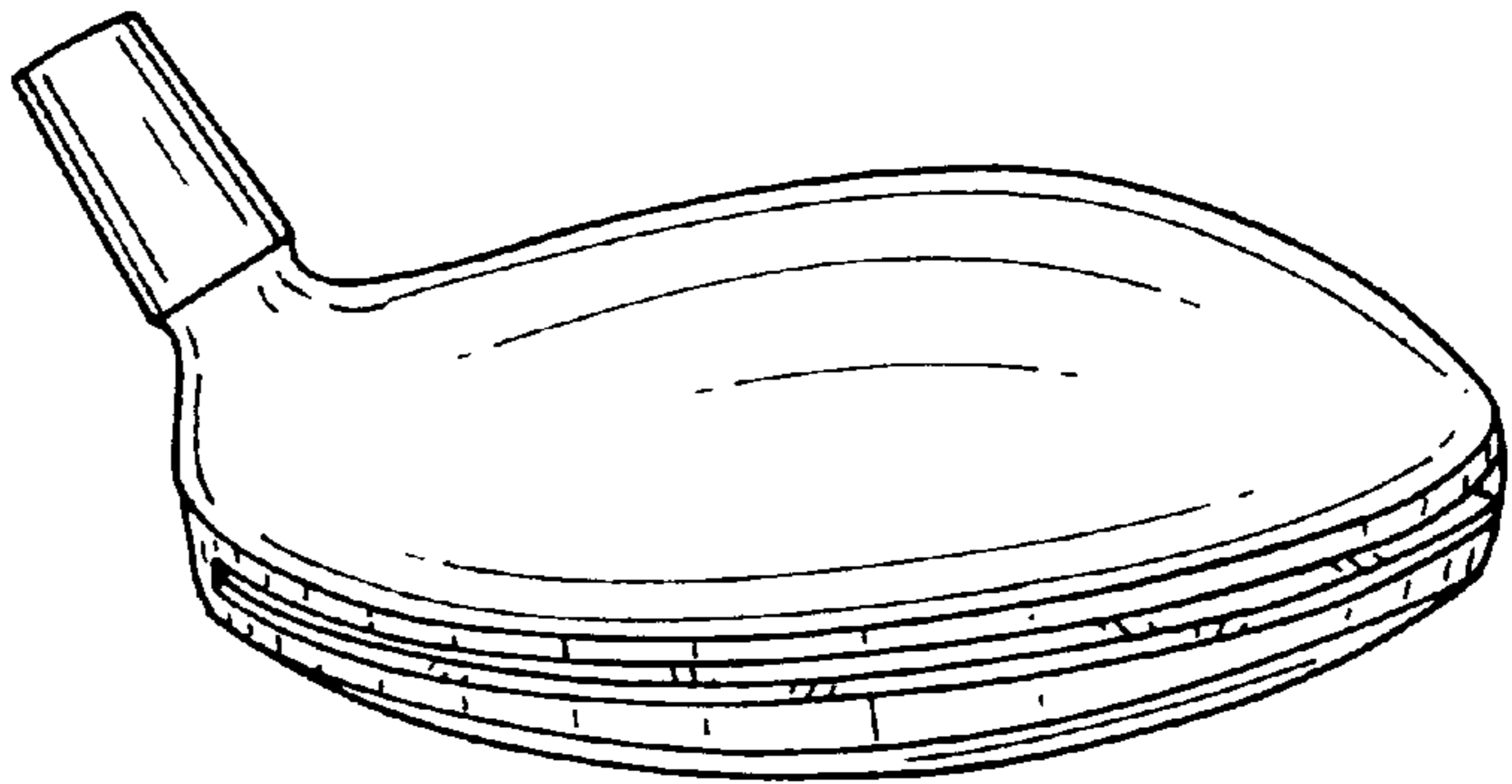
**1 Claim, 4 Drawing Sheets**



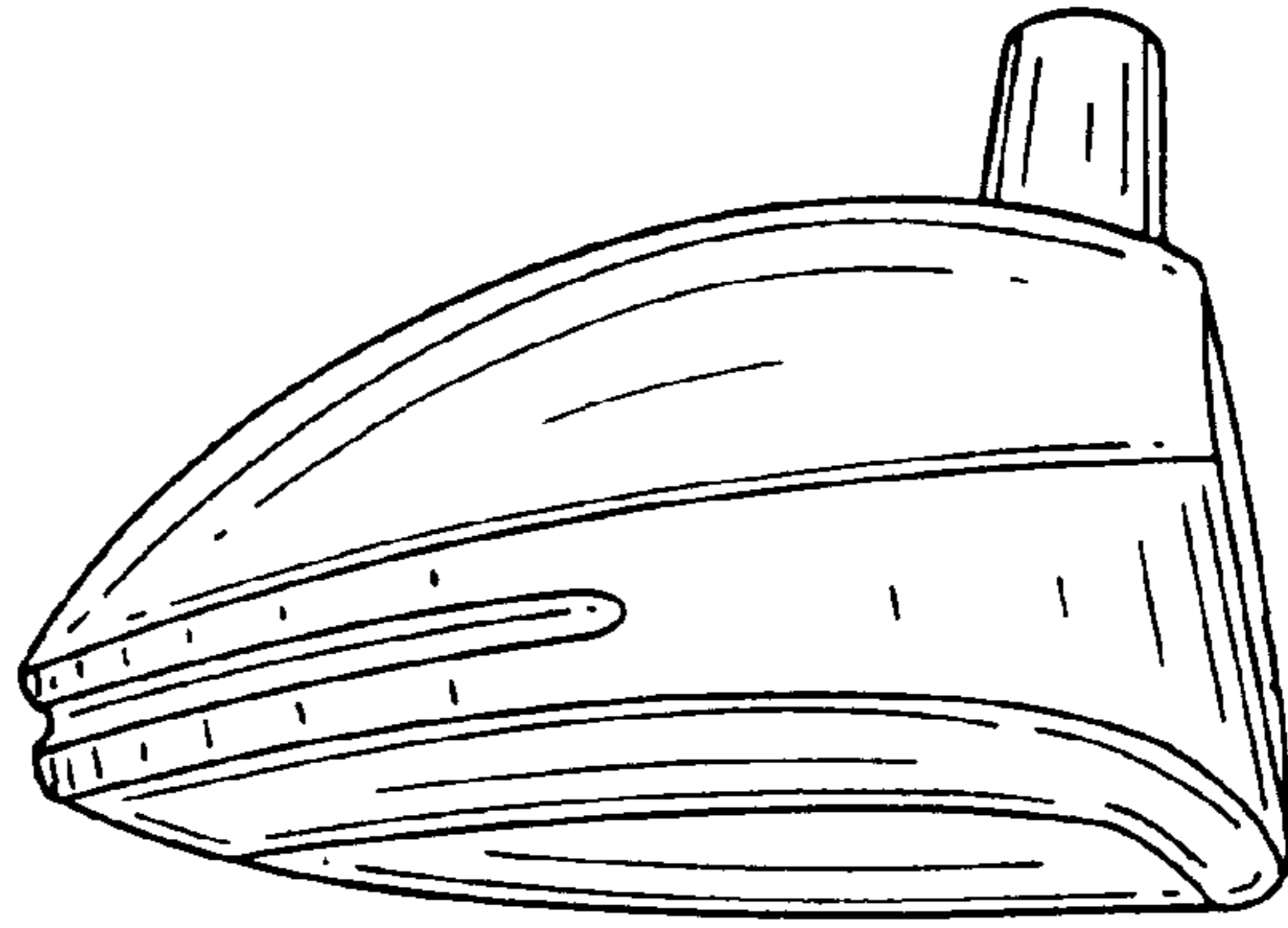
**FIG. 1**



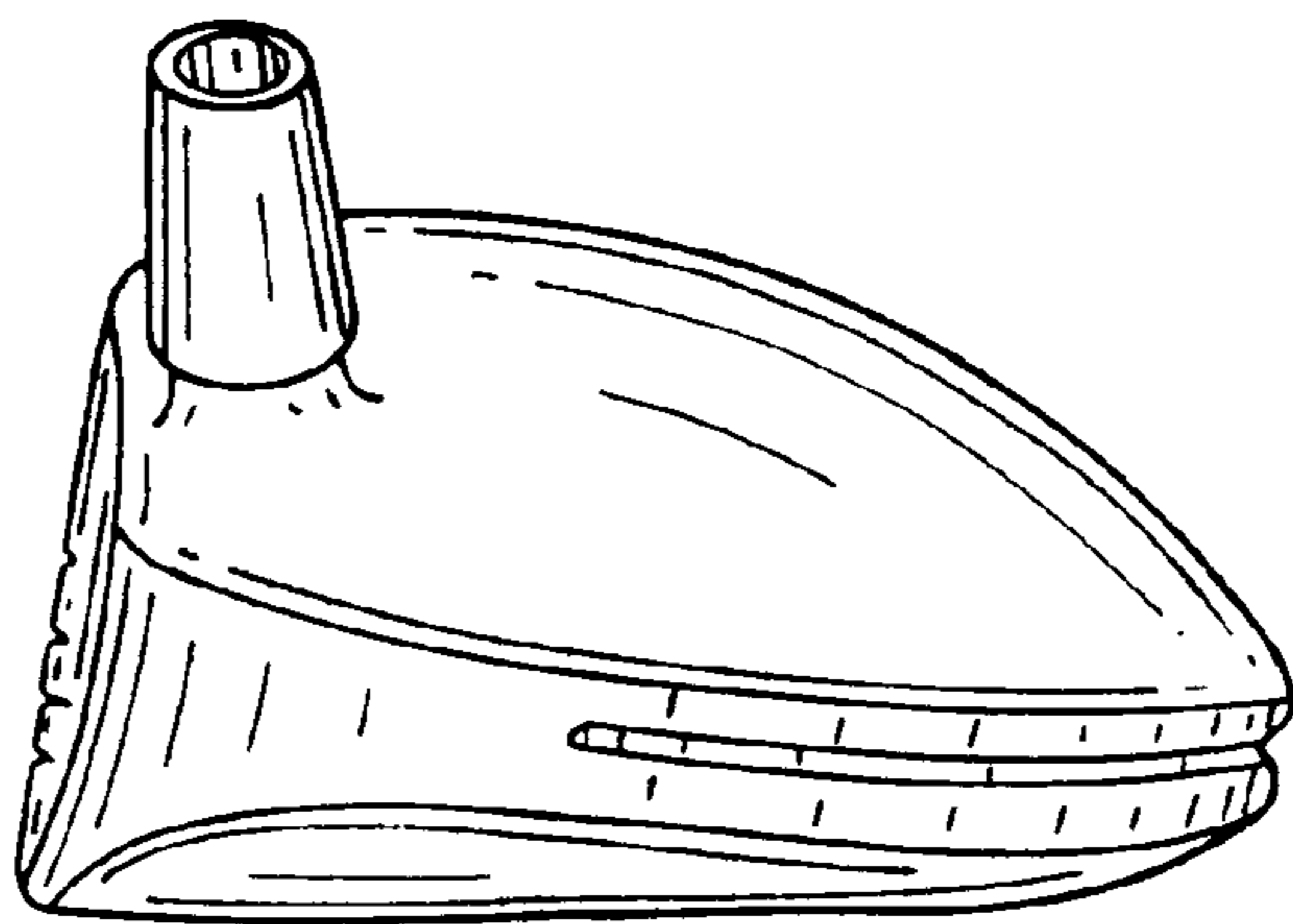
**FIG. 2**



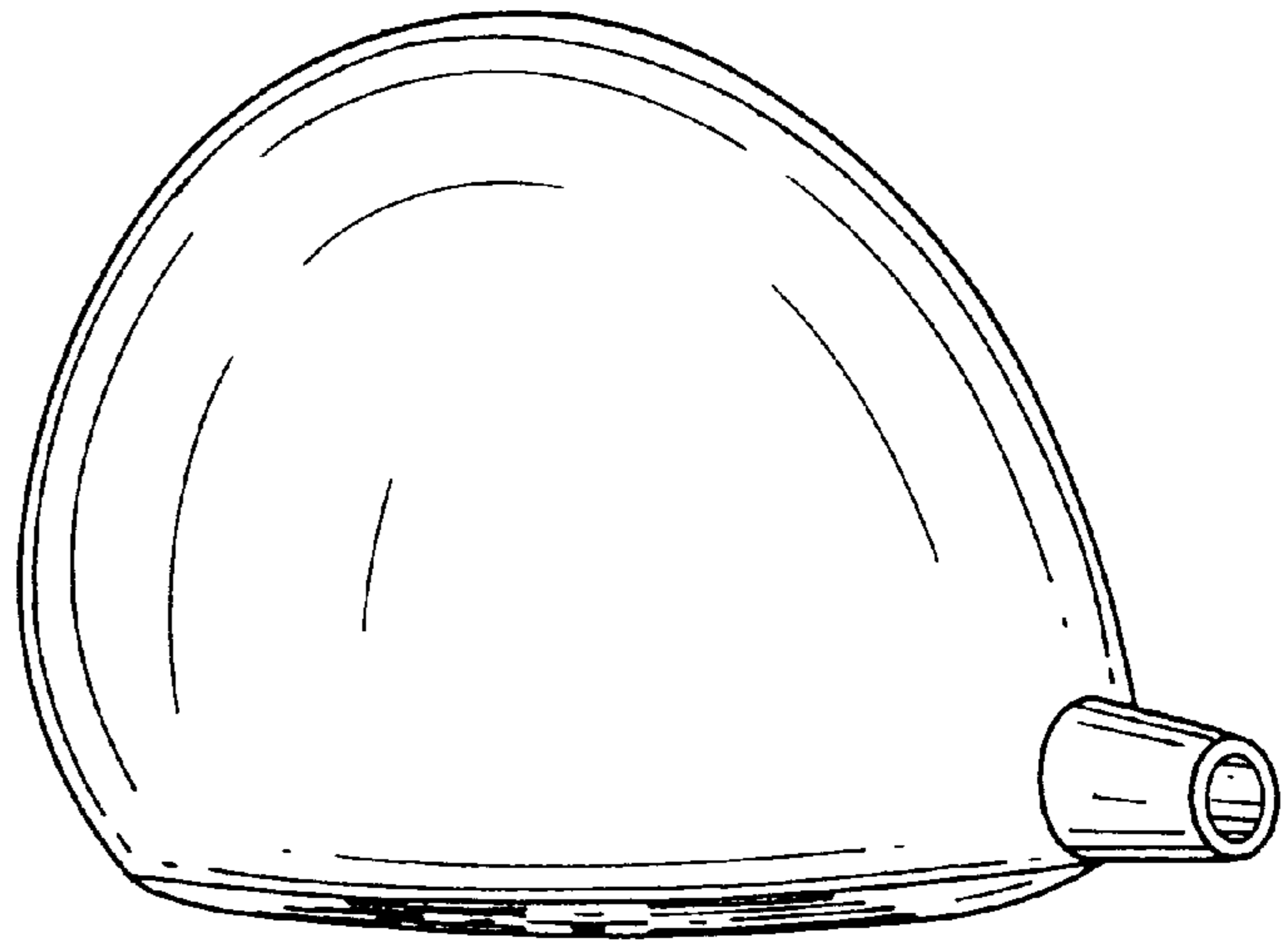
**FIG. 3**



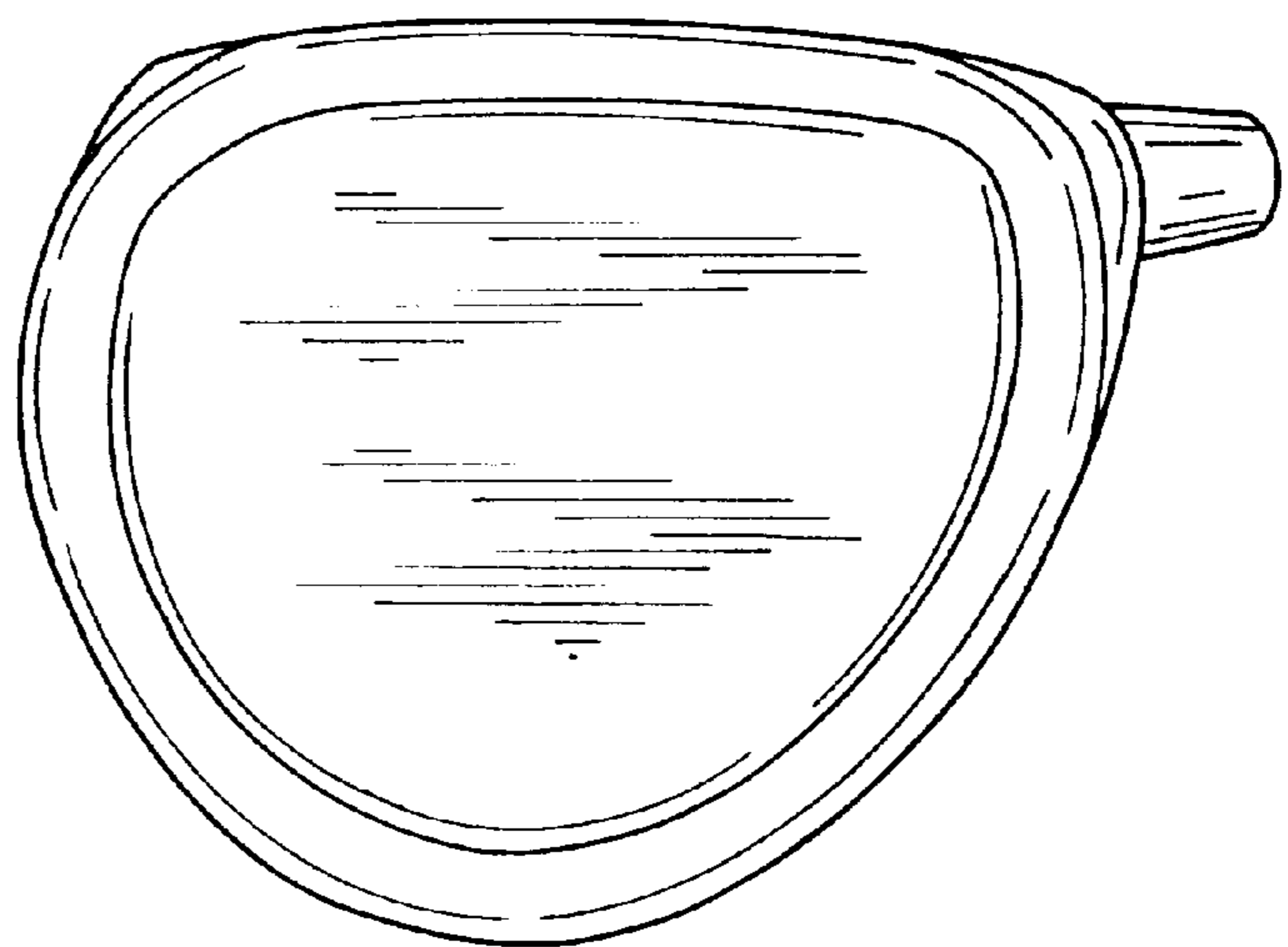
**FIG. 4**



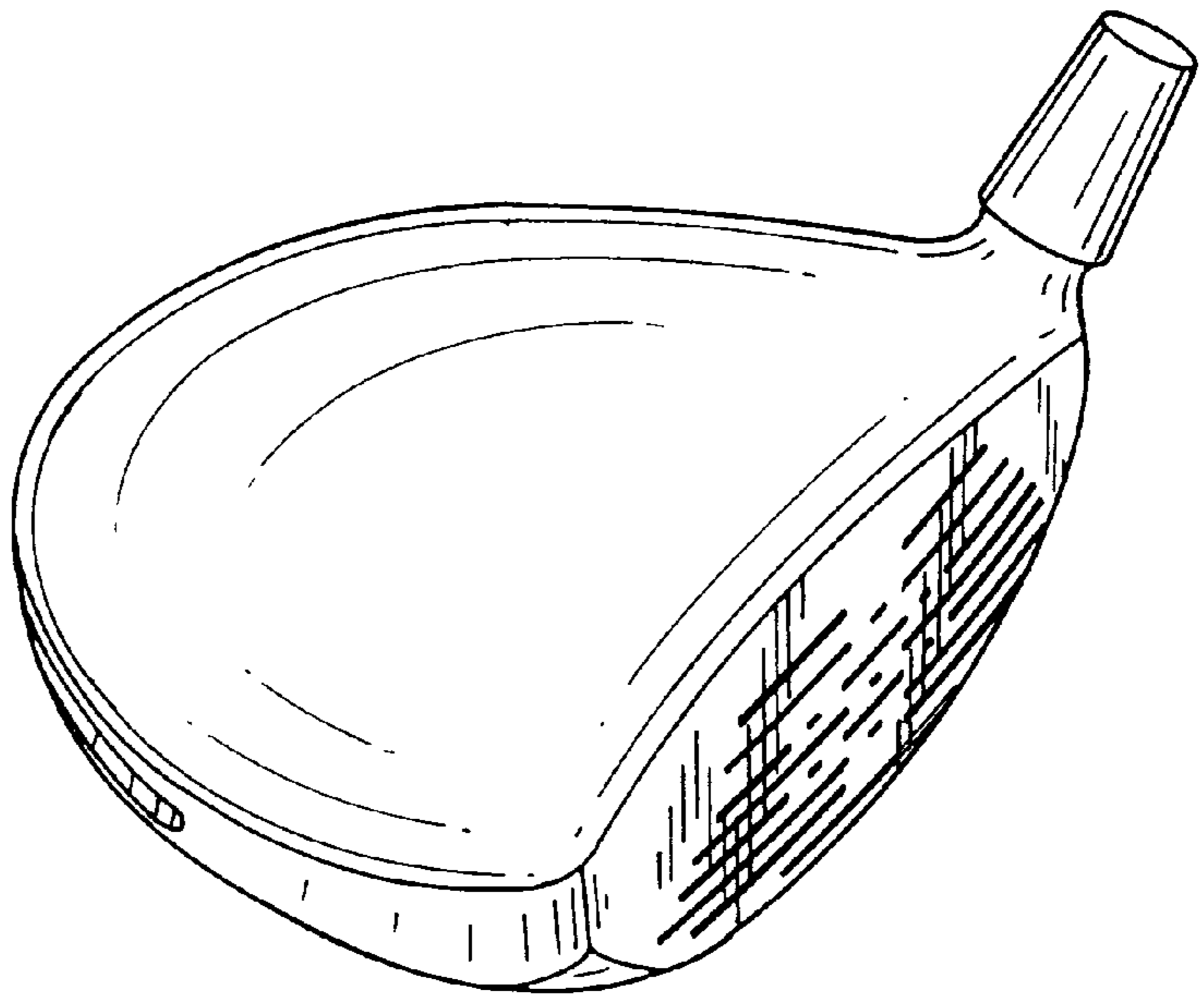
**FIG. 5**



**FIG. 6**



**FIG. 7**



**FIG. 8**

