



US00D422324S

# United States Patent [19] Bush

[11] Patent Number: Des. 422,324

[45] Date of Patent: \*\* Apr. 4, 2000

[54] DOLL WITH MUSIC BOX

[76] Inventor: E. O'Neill Bush, P.O. Box 73,  
Bogalusa, La. 70429-0073

[\*\*] Term: 14 Years

[21] Appl. No.: 29/101,499

[22] Filed: Mar. 5, 1999

[51] LOC (6) Cl. .... 21-01

[52] U.S. Cl. .... D21/621

[58] Field of Search ..... D21/621, 623-637,  
D21/639-649, 658-661, 594, 578; 446/72,  
97-100, 101, 321, 337, 359, 366, 368-369,  
372, 374, 376, 382, 385, 386, 391, 99

[56] References Cited

### U.S. PATENT DOCUMENTS

|            |         |               |       |         |
|------------|---------|---------------|-------|---------|
| D. 55,810  | 7/1920  | Morse         | ..... | D21/628 |
| D. 59,051  | 9/1921  | Wilcox        | ..... | D21/621 |
| D. 100,938 | 8/1936  | Dale          | ..... | D21/578 |
| D. 101,749 | 10/1936 | Collingbourne | ..... | D21/649 |
| D. 138,965 | 10/1944 | Katz          | ..... | D21/594 |

|            |         |                |       |         |
|------------|---------|----------------|-------|---------|
| D. 221,627 | 8/1971  | Morin et al.   | ..... | D21/627 |
| D. 251,693 | 4/1979  | Van Koert      | ..... | D21/649 |
| D. 385,315 | 10/1997 | Bush           | ..... | D21/621 |
| D. 408,472 | 4/1999  | Bush           | ..... | D21/621 |
| 2,662,335  | 12/1953 | Calverly       | ..... | 446/99  |
| 3,195,265  | 7/1965  | Marquez et al. | ..... | D21/587 |

Primary Examiner—James Gandy  
Assistant Examiner—Carol Rademaker  
Attorney, Agent, or Firm—Keaty Professional Law Corporation

### [57] CLAIM

The ornamental design for a doll with music box, as shown.

### DESCRIPTION

FIG. 1 is a front view of my new ornamental design for a doll with music box.

FIG. 2 is a back view thereof.

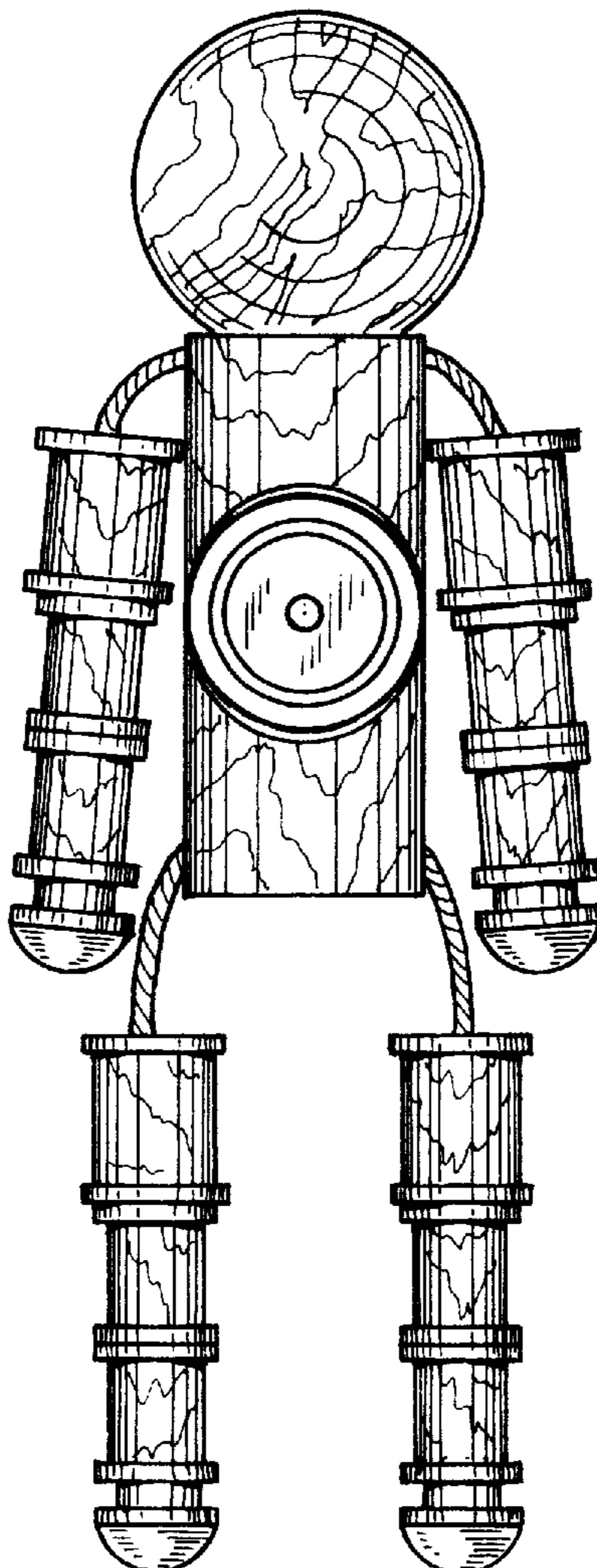
FIG. 3 is a top view thereof.

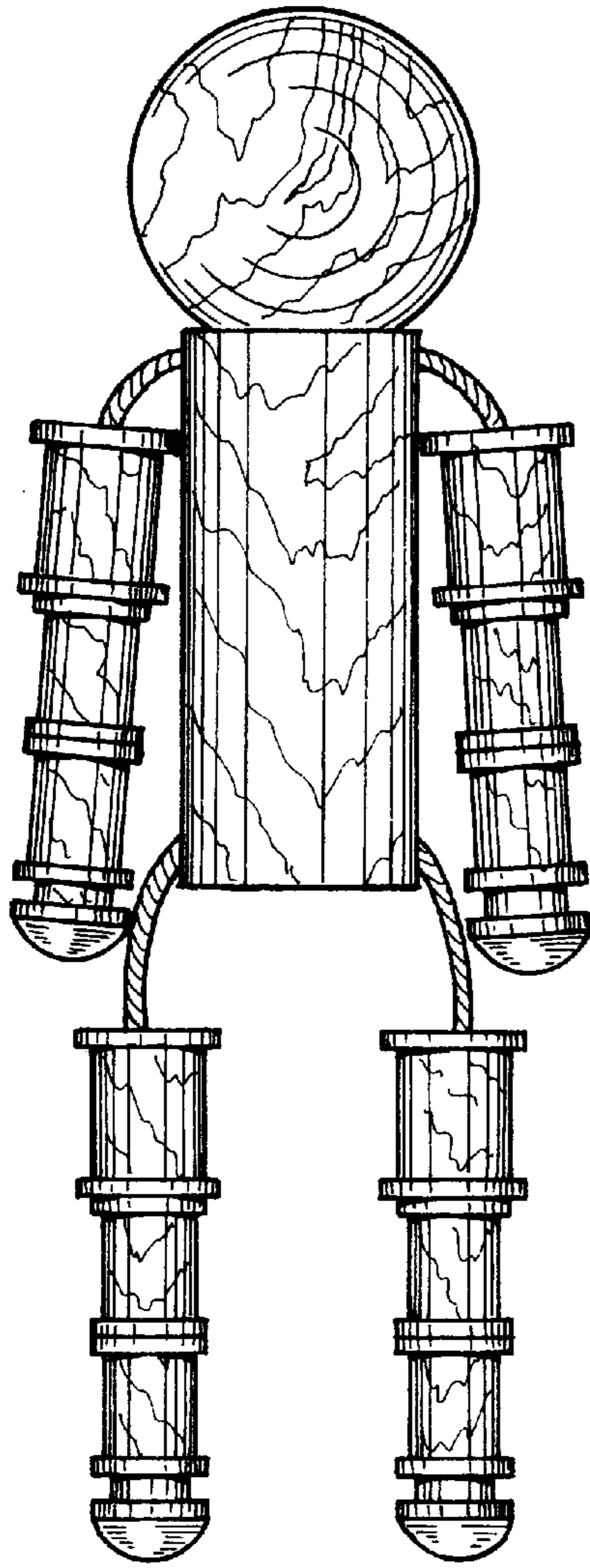
FIG. 4 is a bottom view thereof.

FIG. 5 is a side view thereof; and,

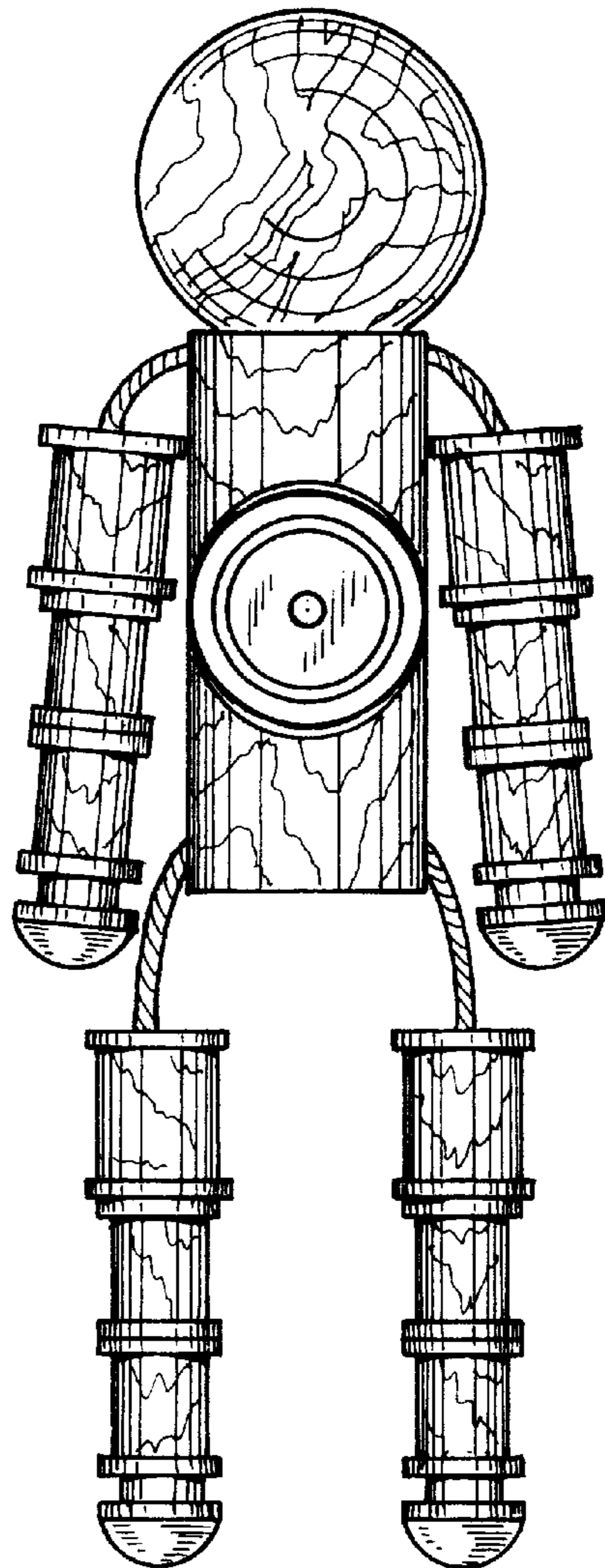
FIG. 6 is an opposite side view thereof.

1 Claim, 2 Drawing Sheets

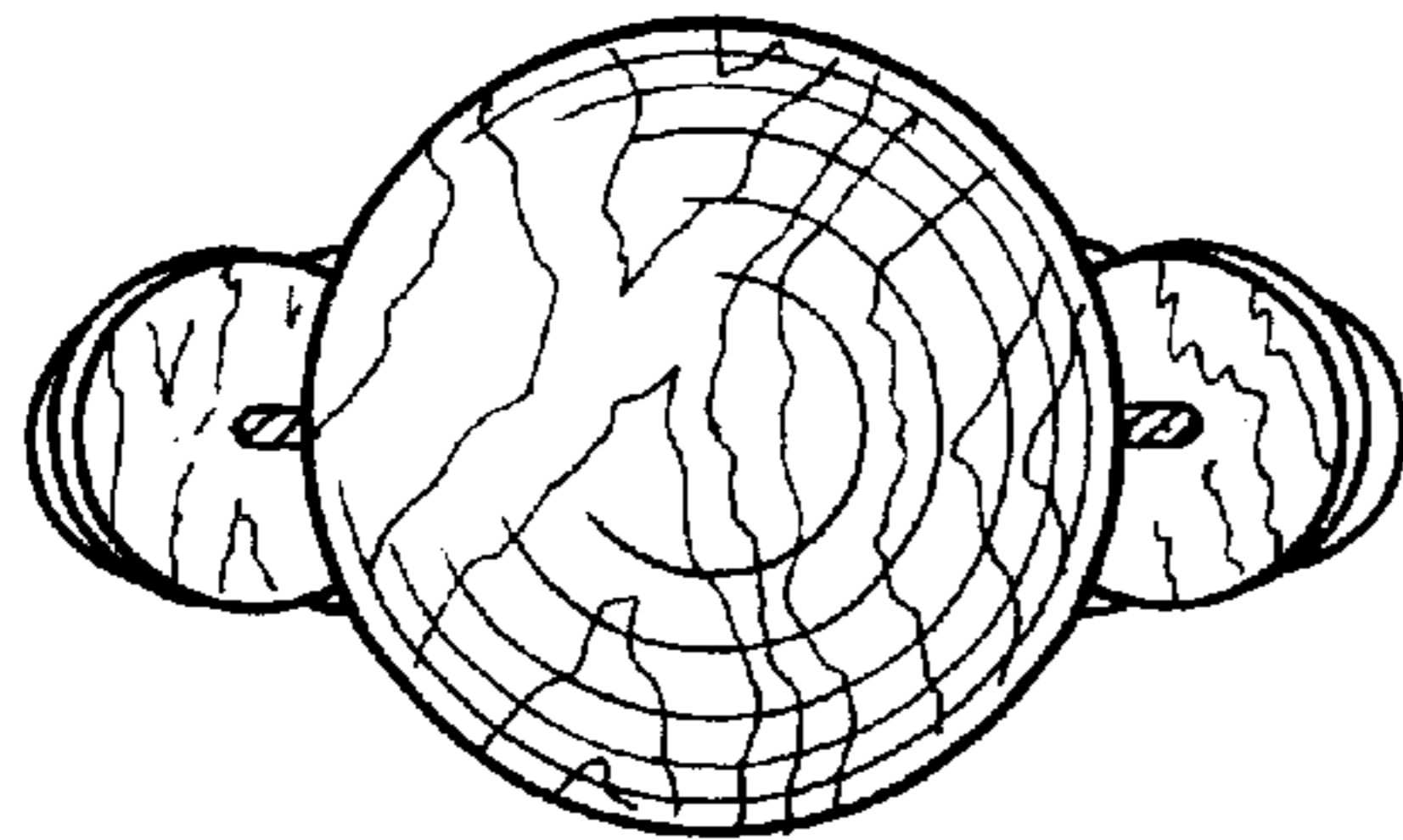




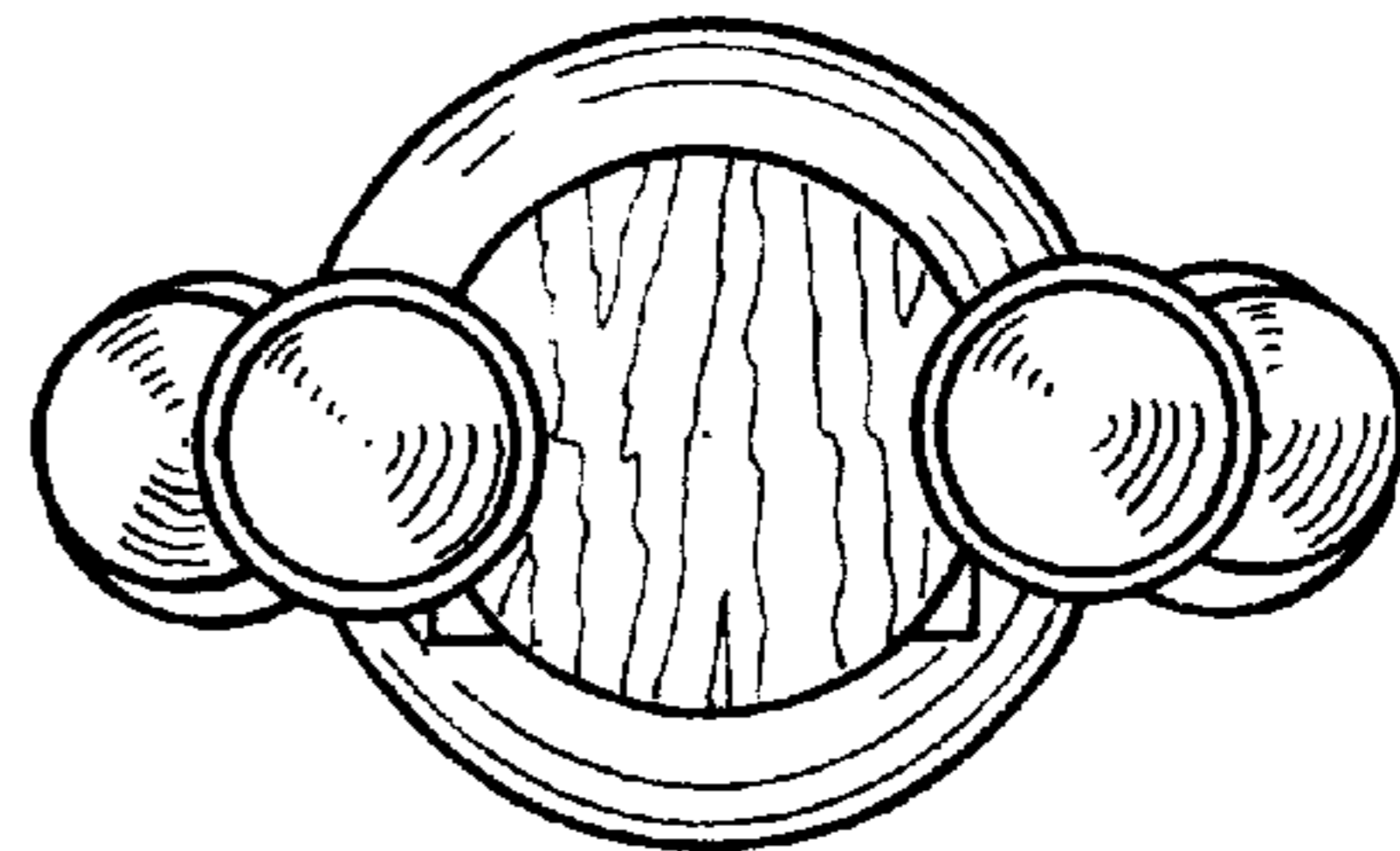
F I G . 1



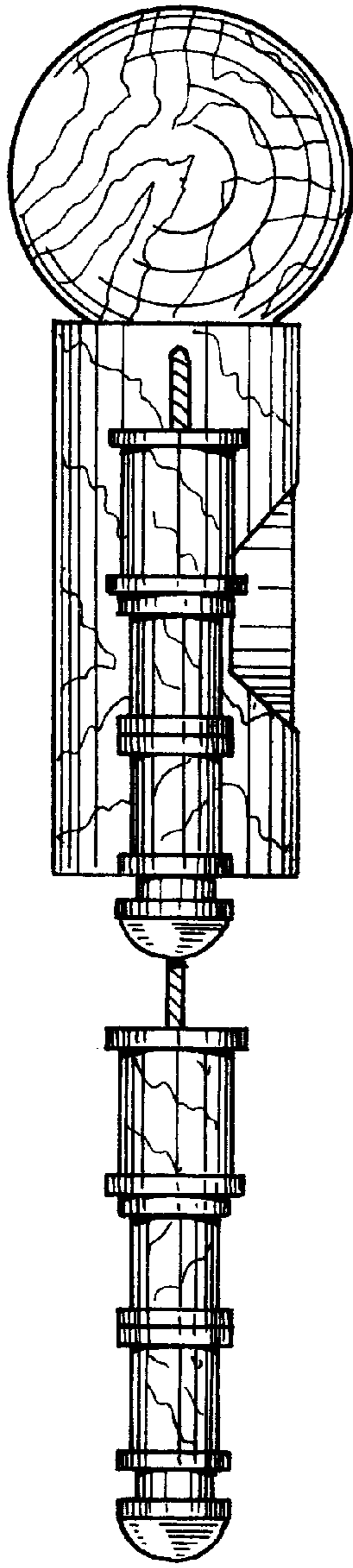
F I G . 2



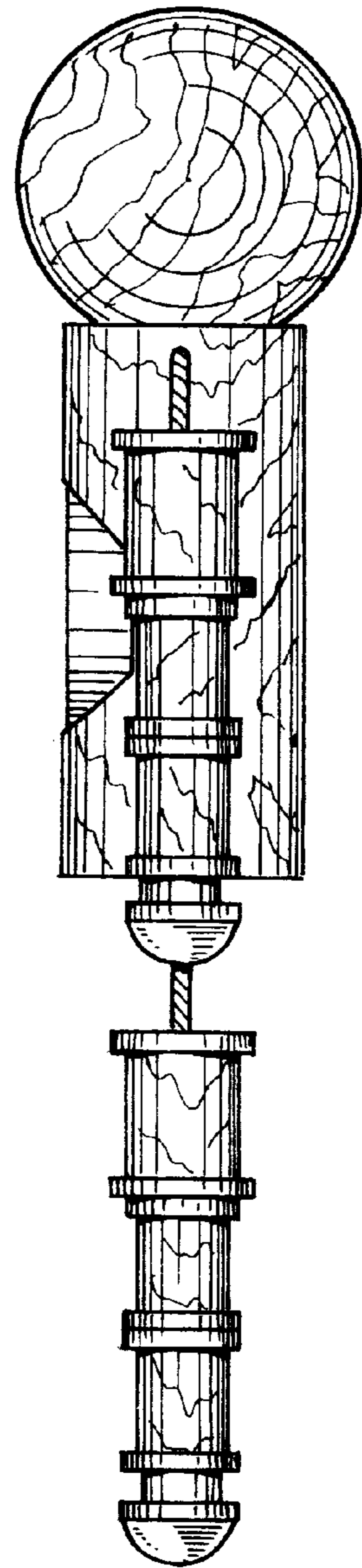
F I G . 3



F I G . 4



F I G . 5



F I G . 6