



US00D422320S

# United States Patent [19] Huntsberger

[11] **Patent Number: Des. 422,320**  
[45] **Date of Patent: \*\* Apr. 4, 2000**

[54] **CHILDREN'S RIDE-ON VEHICLE**

[75] Inventor: **Kurt J. Huntsberger**, Buffalo, N.Y.

[73] Assignee: **Mattel, Inc.**, ElSegundo, Calif.

[\*\*] Term: **14 Years**

[21] Appl. No.: **29/082,837**

[22] Filed: **Jan. 28, 1998**

[51] **LOC (6) Cl. .... 21-01**

[52] **U.S. Cl. .... D21/433**

[58] **Field of Search** ..... D21/419-435,  
D21/533, 548-560; D12/87, 88; 446/424,  
425, 427, 433, 440, 456, 457, 462, 465,  
470; 280/1.13, 828, 87.01, 87.021, 47.11

[56] **References Cited**

**U.S. PATENT DOCUMENTS**

D. 299,663	1/1989	Harrod	.....	D21/432
D. 327,512	6/1992	Harrod	.....	D21/432
D. 328,317	7/1992	Harrod	.....	D21/433
D. 345,394	3/1994	Chen	.....	D21/433
D. 397,737	9/1998	Harrod	.....	D21/434
D. 397,739	9/1998	Liu	.....	D21/435

2,191,184	2/1940	Voorheis .
3,709,315	1/1973	Fisher .
3,842,928	10/1974	Kishi .
3,888,324	6/1975	Kossow .
4,709,958	12/1987	Harrod .
5,570,925	11/1996	Cohen .
5,697,626	12/1997	McDaniel et al. .

*Primary Examiner*—Raphael Barkai  
*Attorney, Agent, or Firm*—Kolisch, Hartwell Dickinson  
McCormack & Heuser

[57] **CLAIM**

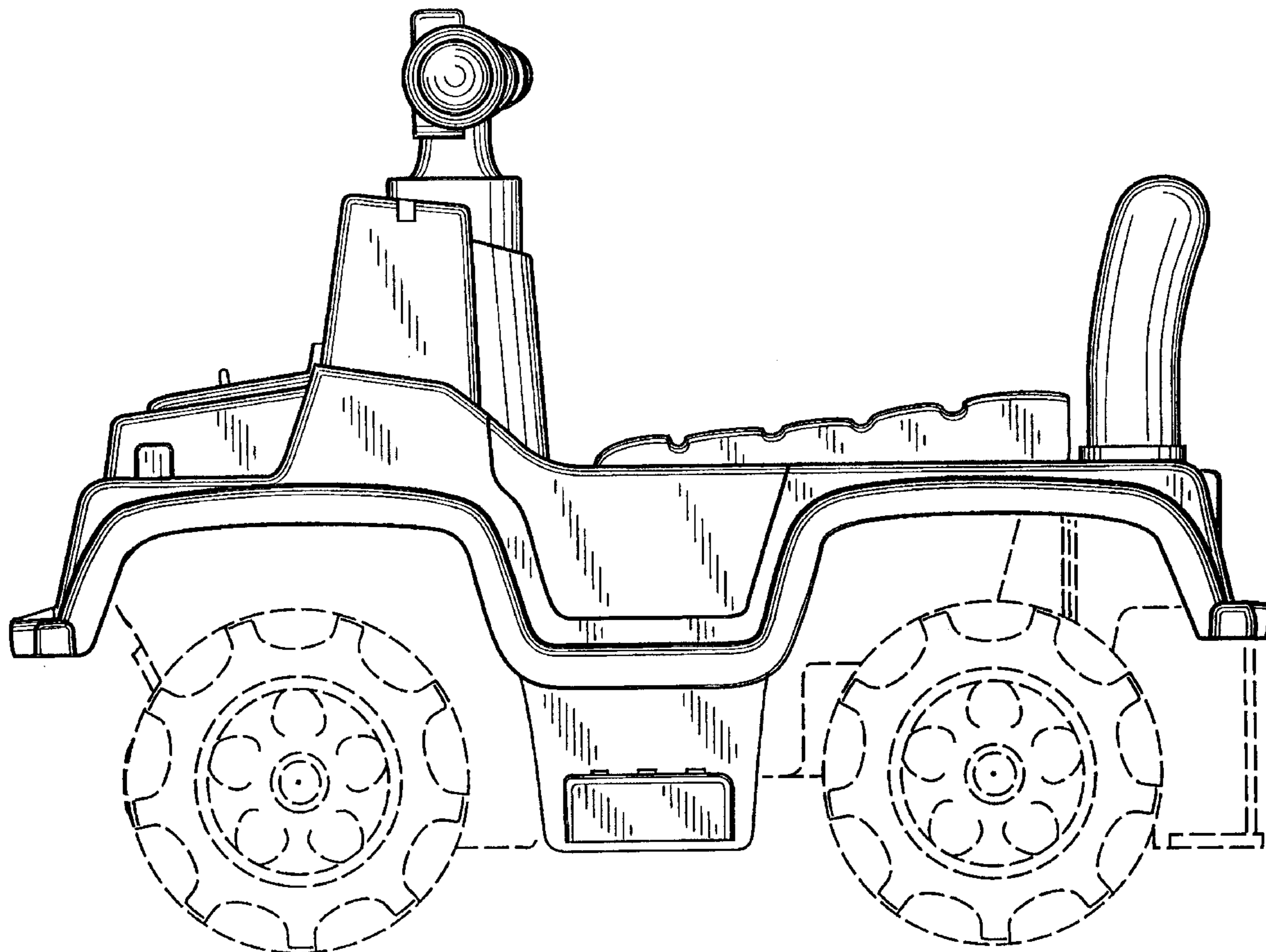
The ornamental design for a children's ride-on vehicle, as shown and described.

**DESCRIPTION**

FIG. 1 is a left-side view thereof, the right side being a mirror image of the left side;  
FIG. 2 is a front view thereof;  
FIG. 3 is a rear view thereof; and,  
FIG. 4 is a top view thereof, the bottom side being unornamented.

The broken lines shown in FIGS. 1-4 is for illustrative purposes only and form no part of the claimed design.

**1 Claim, 4 Drawing Sheets**



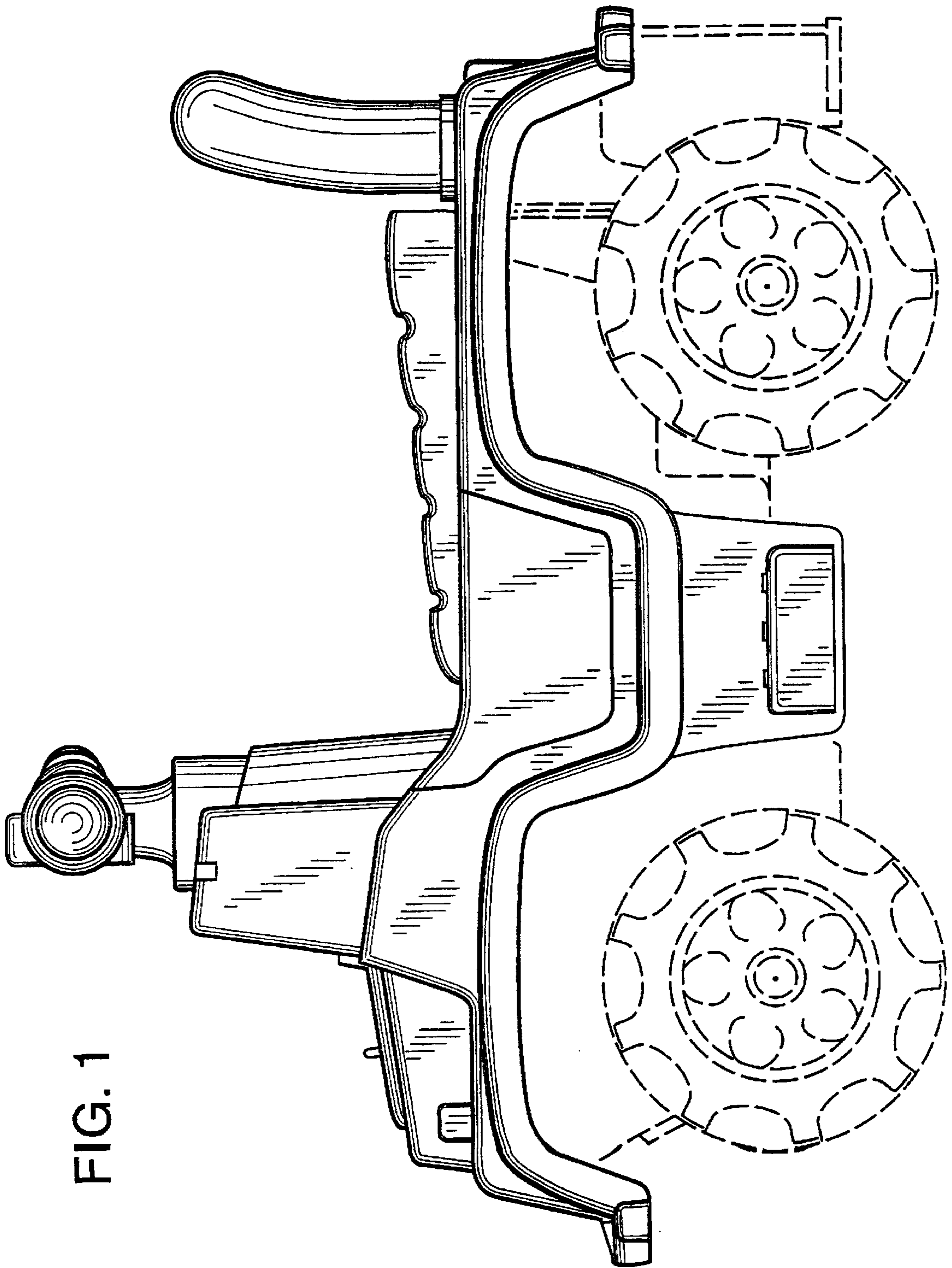


FIG. 1

FIG. 2

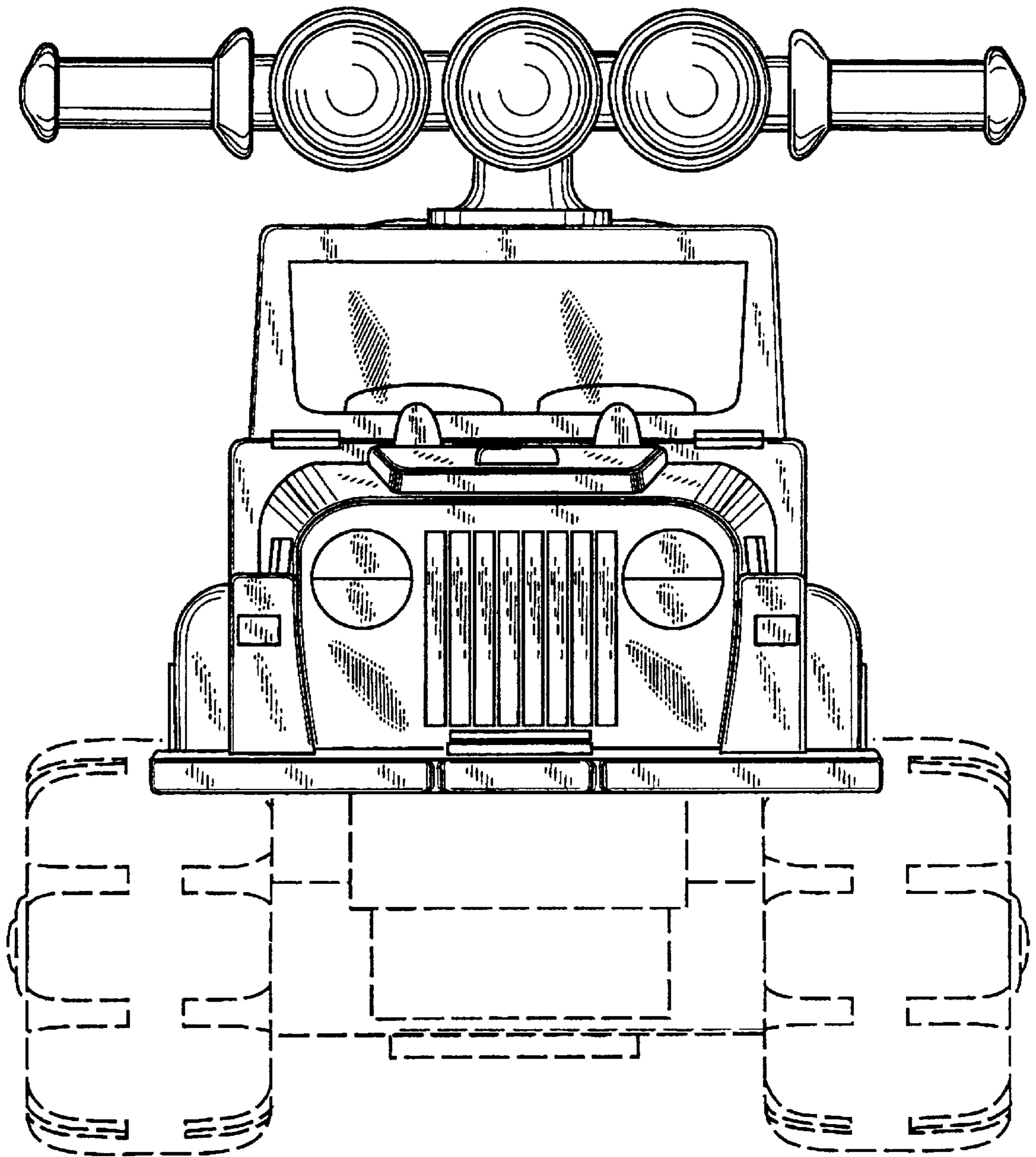
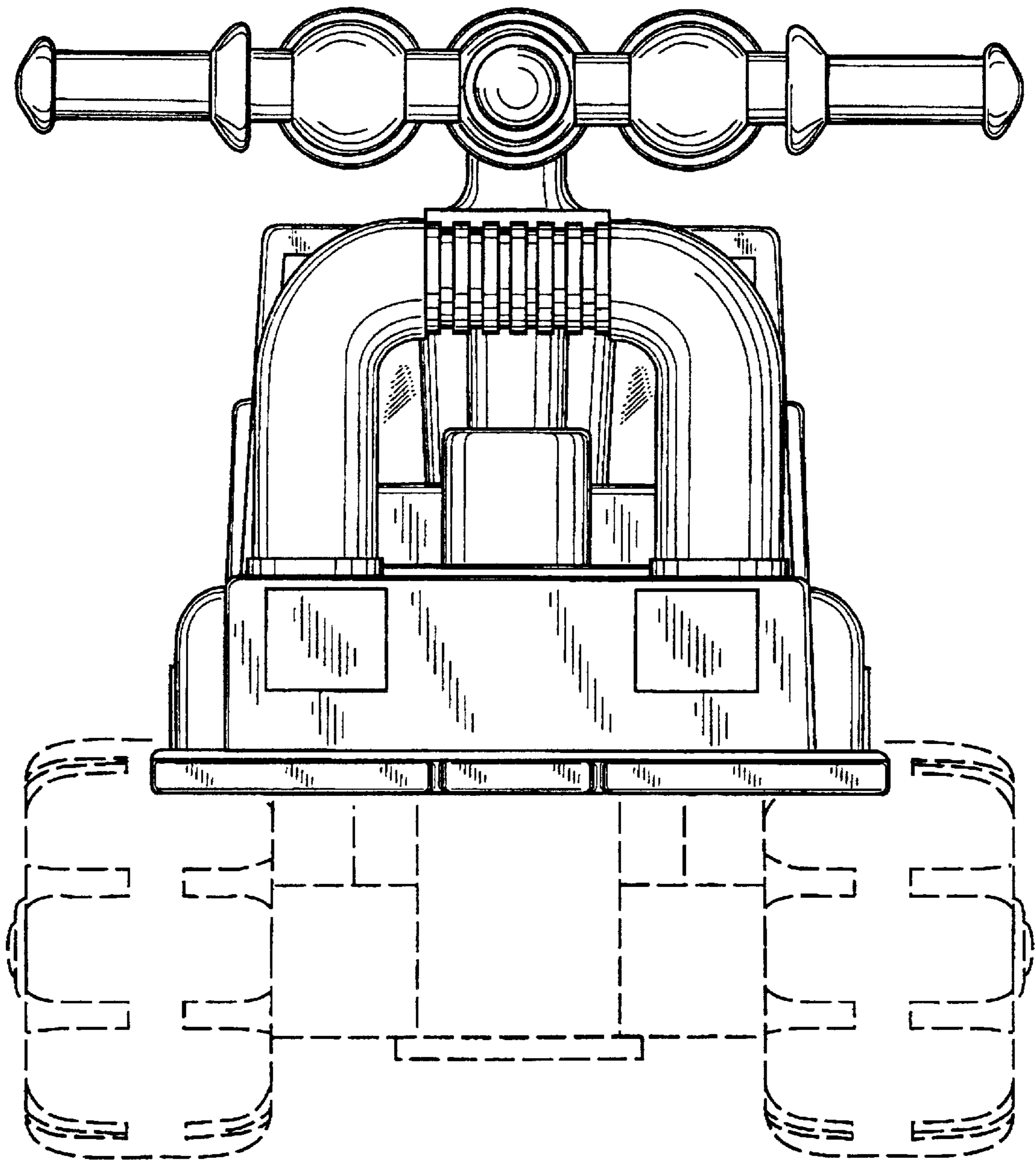




FIG. 3



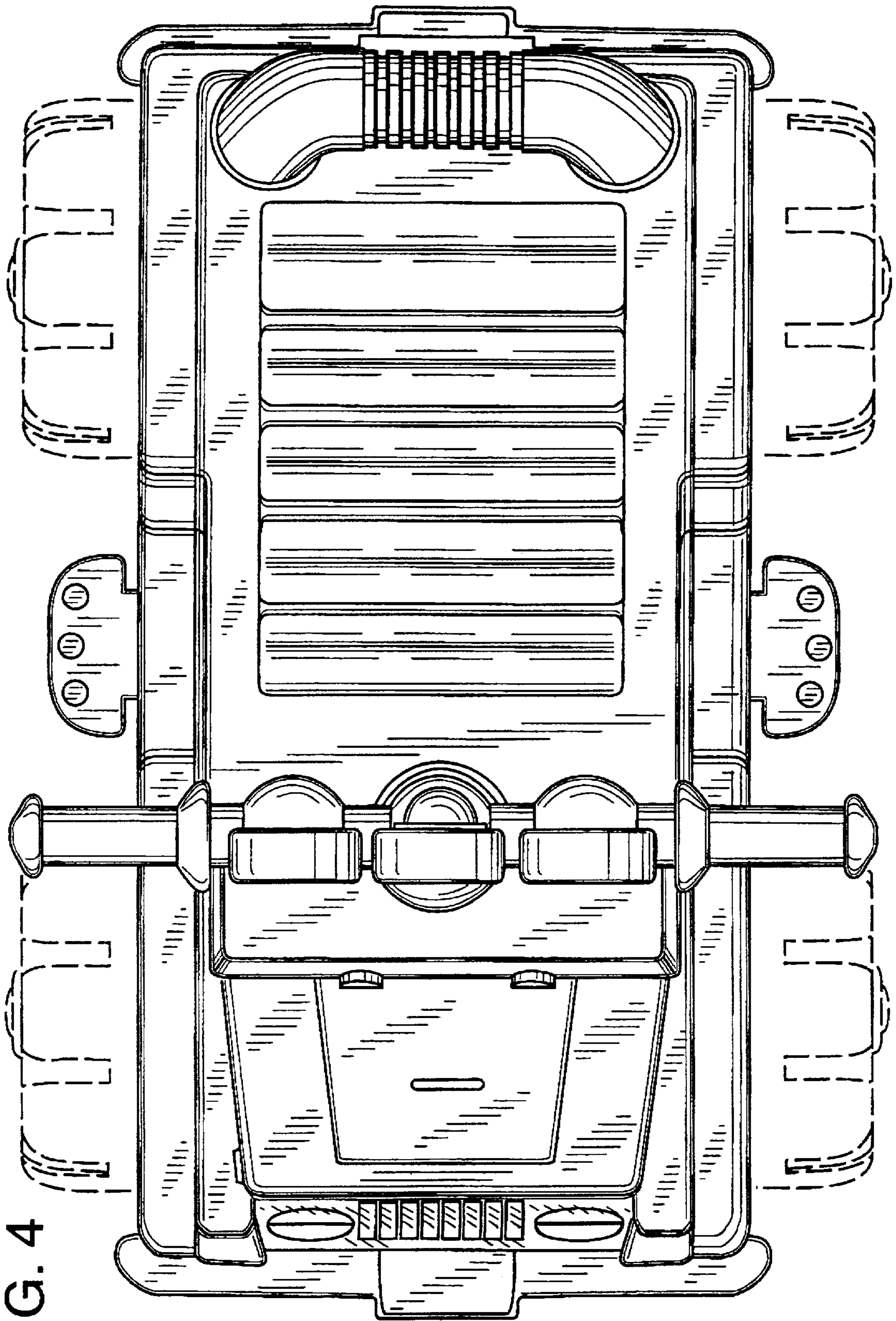


FIG. 4