



US00D422318S

# United States Patent [19] Breen

[11] Patent Number: Des. 422,318

[45] Date of Patent: \*\* Apr. 4, 2000

[54] POPCORN BUTTON TOY

[75] Inventor: John D. Breen, Piqua, Ohio

[73] Assignee: Evenflo Company, Inc., Vandalia, Ohio

[\*\*] Term: 14 Years

[21] Appl. No.: 29/095,303

[22] Filed: Oct. 20, 1998

[51] LOC (6) Cl. .... 21-01

[52] U.S. Cl. .... D21/398; D21/405

[58] Field of Search ..... D21/398, 405;  
446/397, 409, 411, 413

[56] **References Cited**

U.S. PATENT DOCUMENTS

|            |         |            |       |         |
|------------|---------|------------|-------|---------|
| D. 227,588 | 7/1973  | Stubbsmann | ..... | D21/398 |
| D. 272,927 | 3/1984  | Dropik     | .     |         |
| D. 349,309 | 8/1994  | Thornell   | ..... | D21/405 |
| 2,578,579  | 12/1951 | Mysels     | .     |         |
| 4,693,697  | 9/1987  | Pagano     | .     |         |

5,238,440 8/1993 Morin ..... 446/413 X

Primary Examiner—Dominic Simone  
Attorney, Agent, or Firm—Thompson Hine & Flory LLP

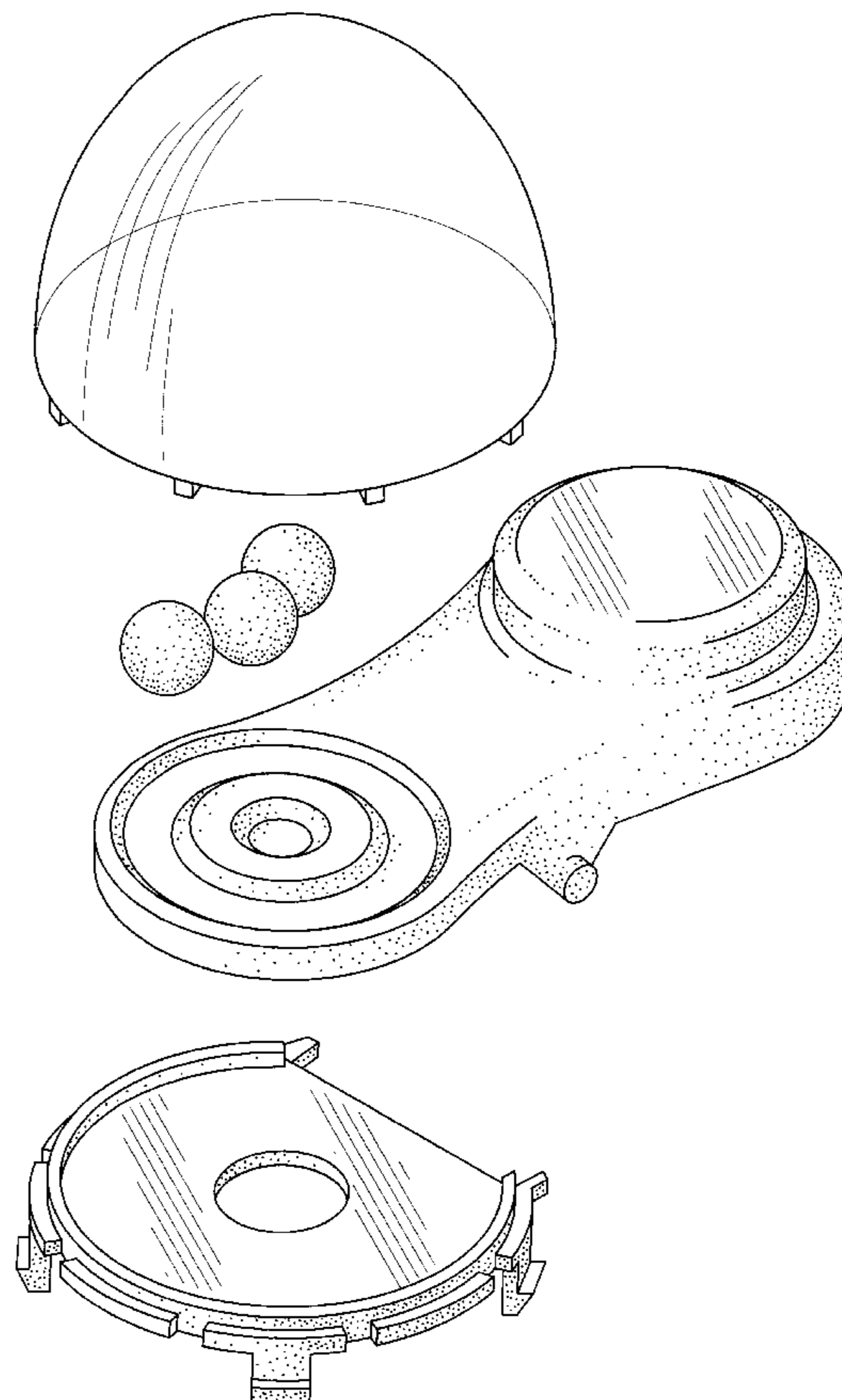
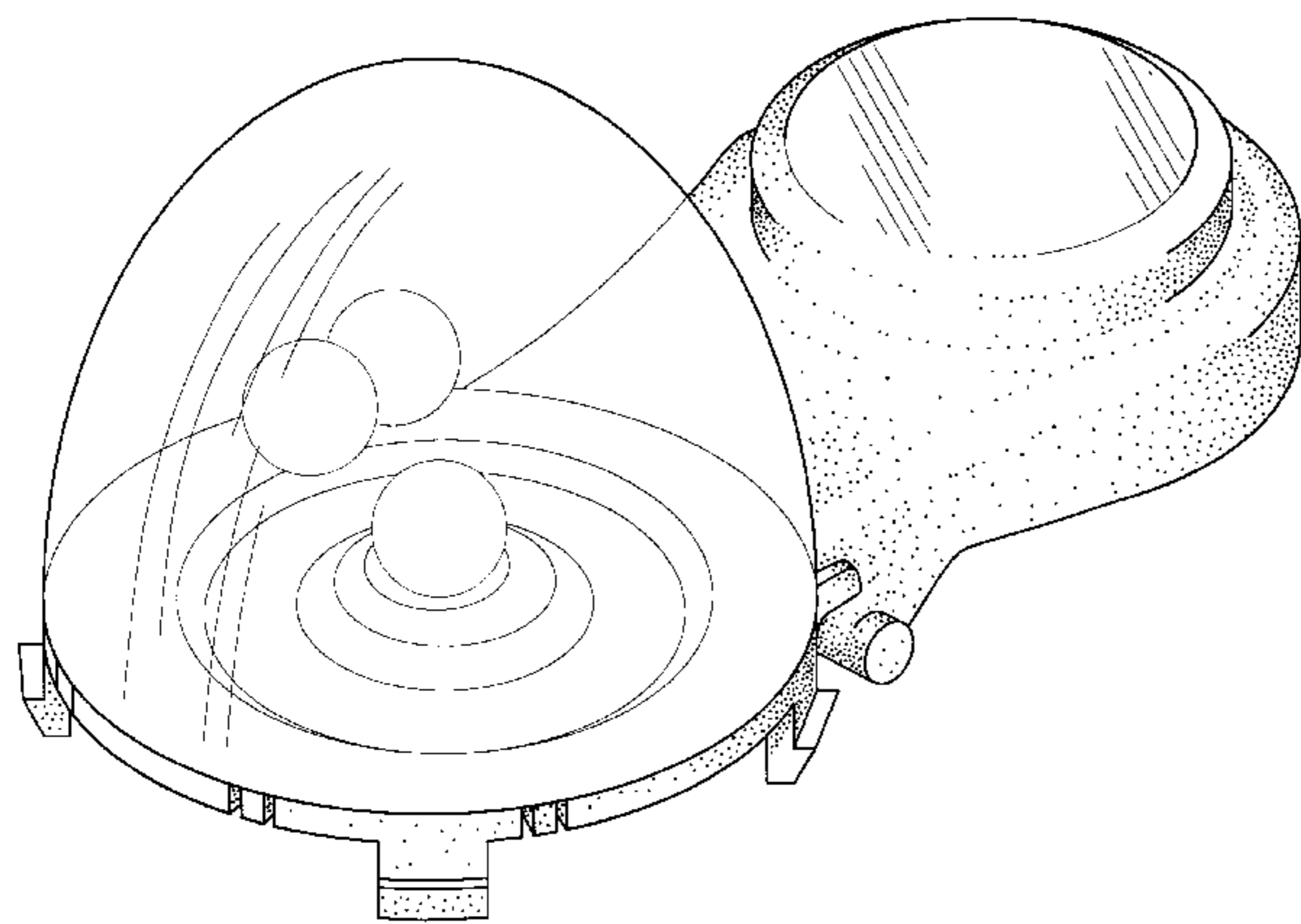
[57] **CLAIM**

The ornamental design of the popcorn button toy, as shown and described.

**DESCRIPTION**

FIG. 1 is a perspective view of the popcorn button toy showing the design of my invention;  
FIG. 2 is an exploded perspective view of the popcorn button toy shown in FIG. 1;  
FIG. 3 is a top elevational view thereof;  
FIG. 4 is a side elevational view thereof;  
FIG. 5 is a front elevational view thereof;  
FIG. 6 is a rear elevational view thereof;  
FIG. 7 is a bottom elevational view thereof; and,  
FIG. 8 is a cross sectional view taken along line 8—8 of FIG. 3.

1 Claim, 4 Drawing Sheets



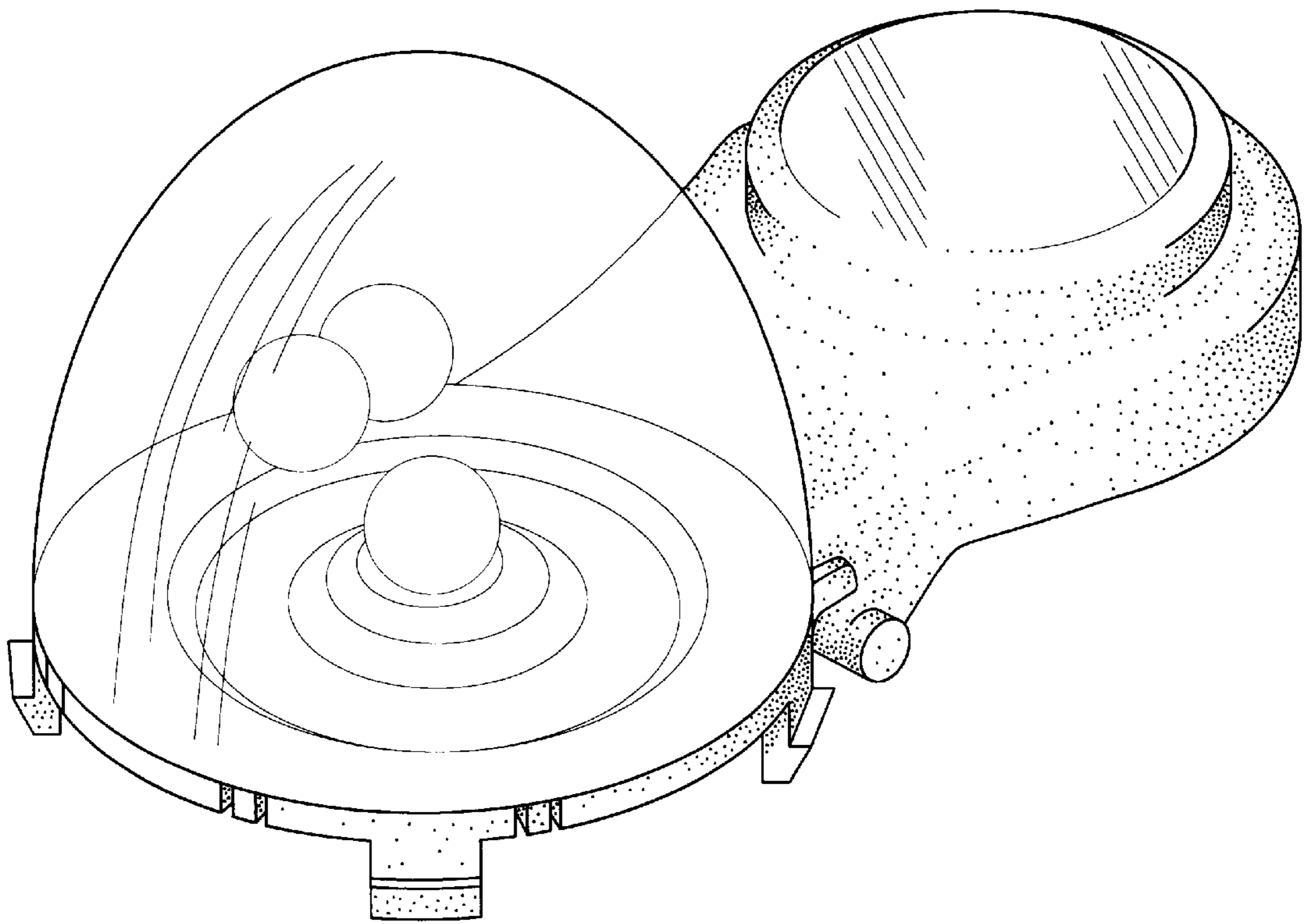


FIG. 1

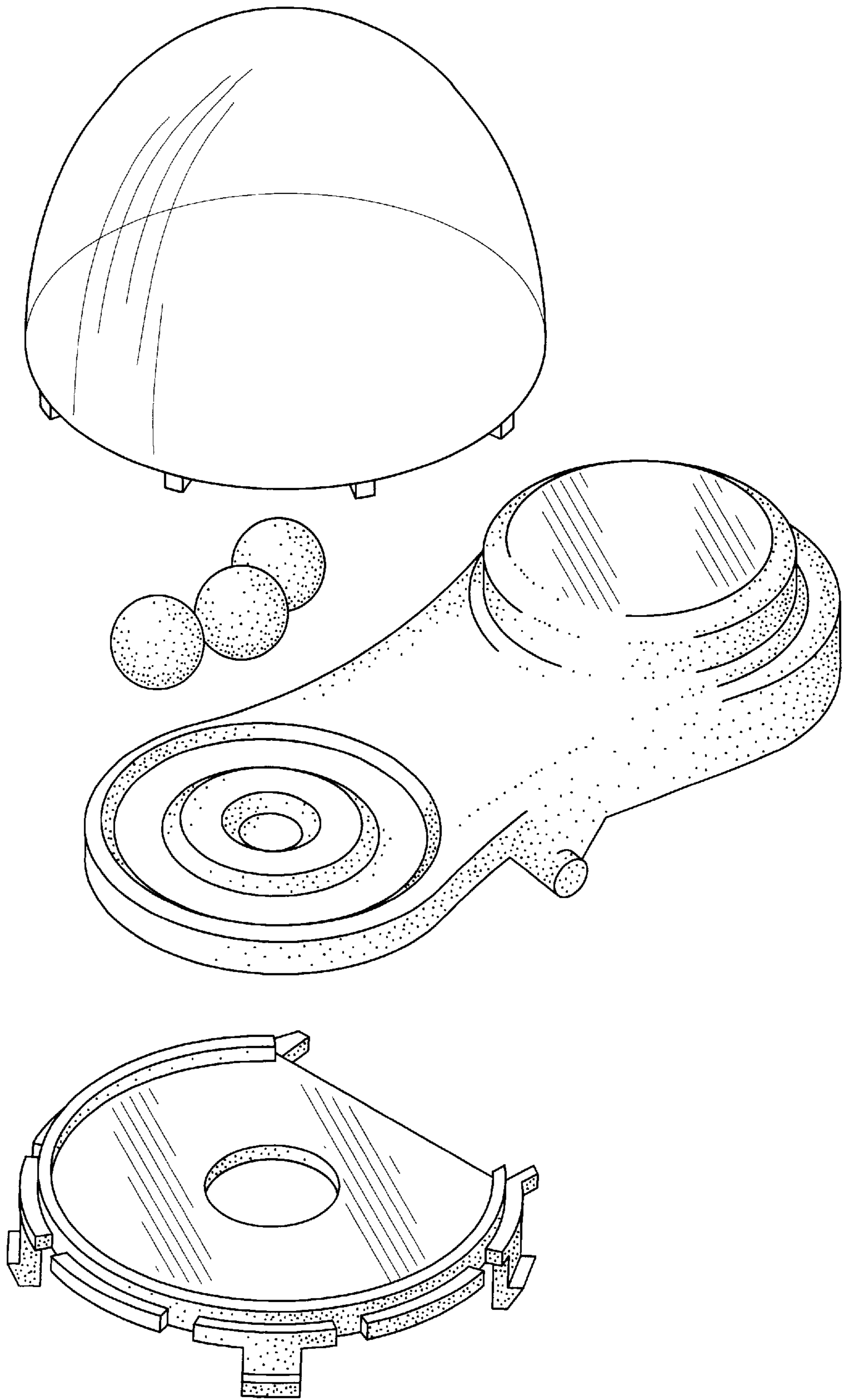


FIG. 2

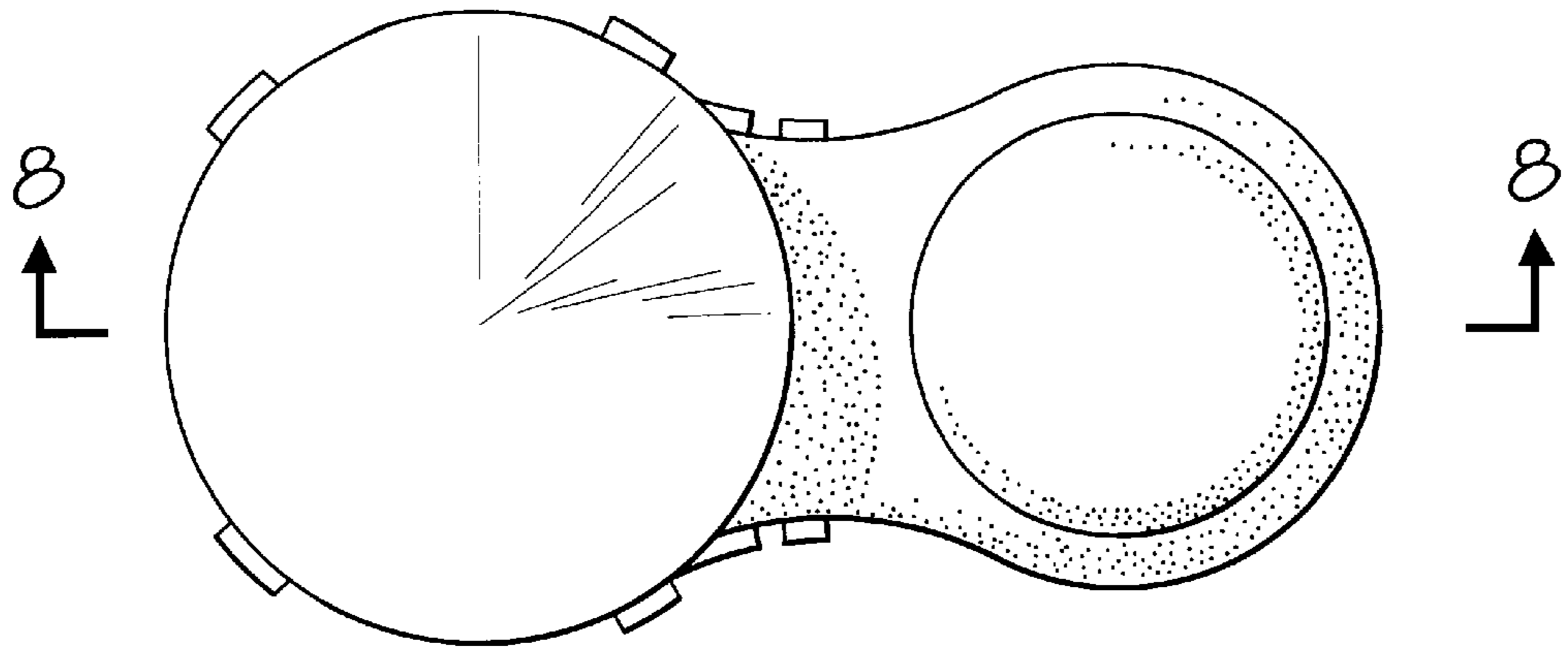


FIG. 3

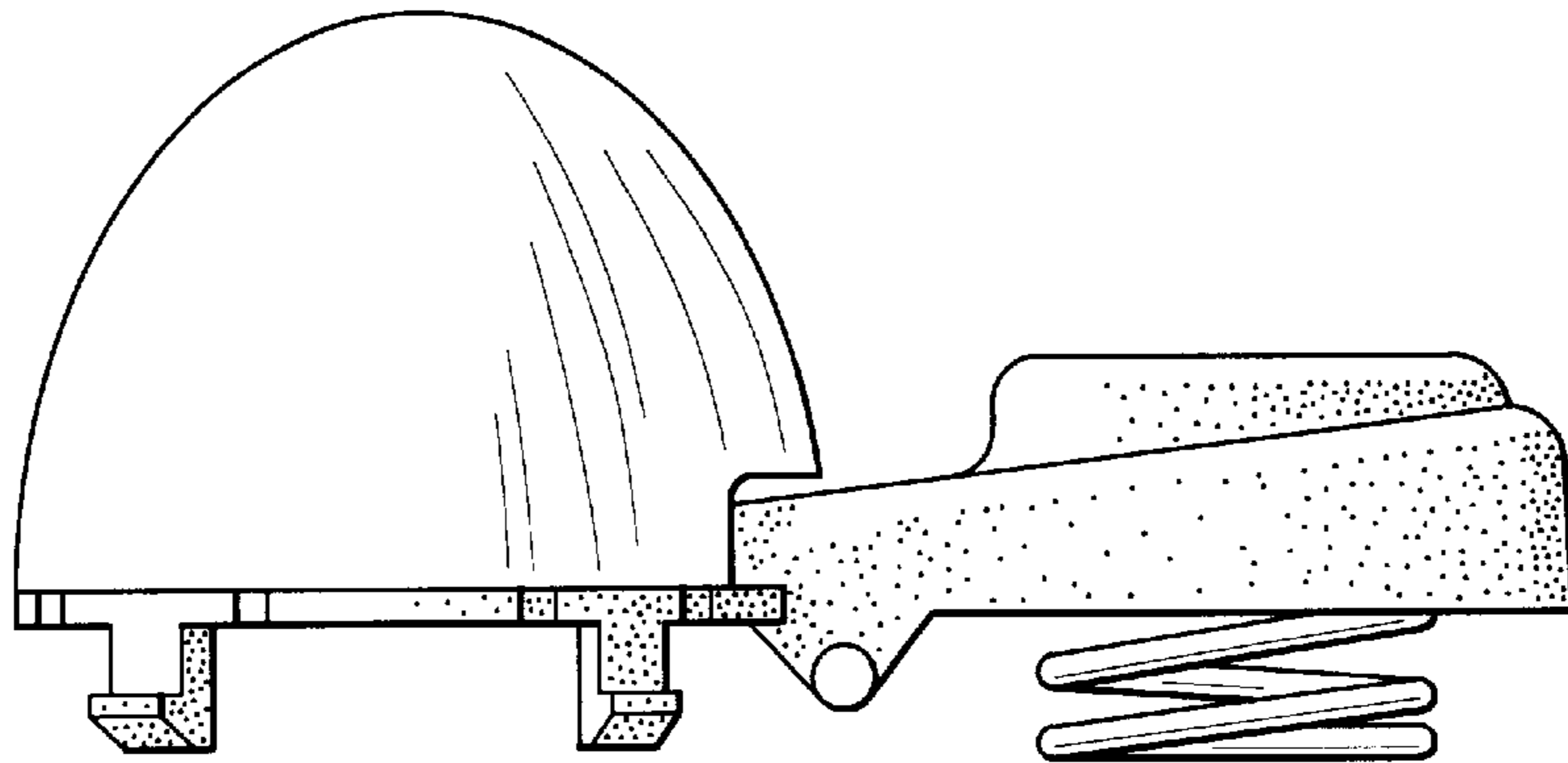


FIG. 4

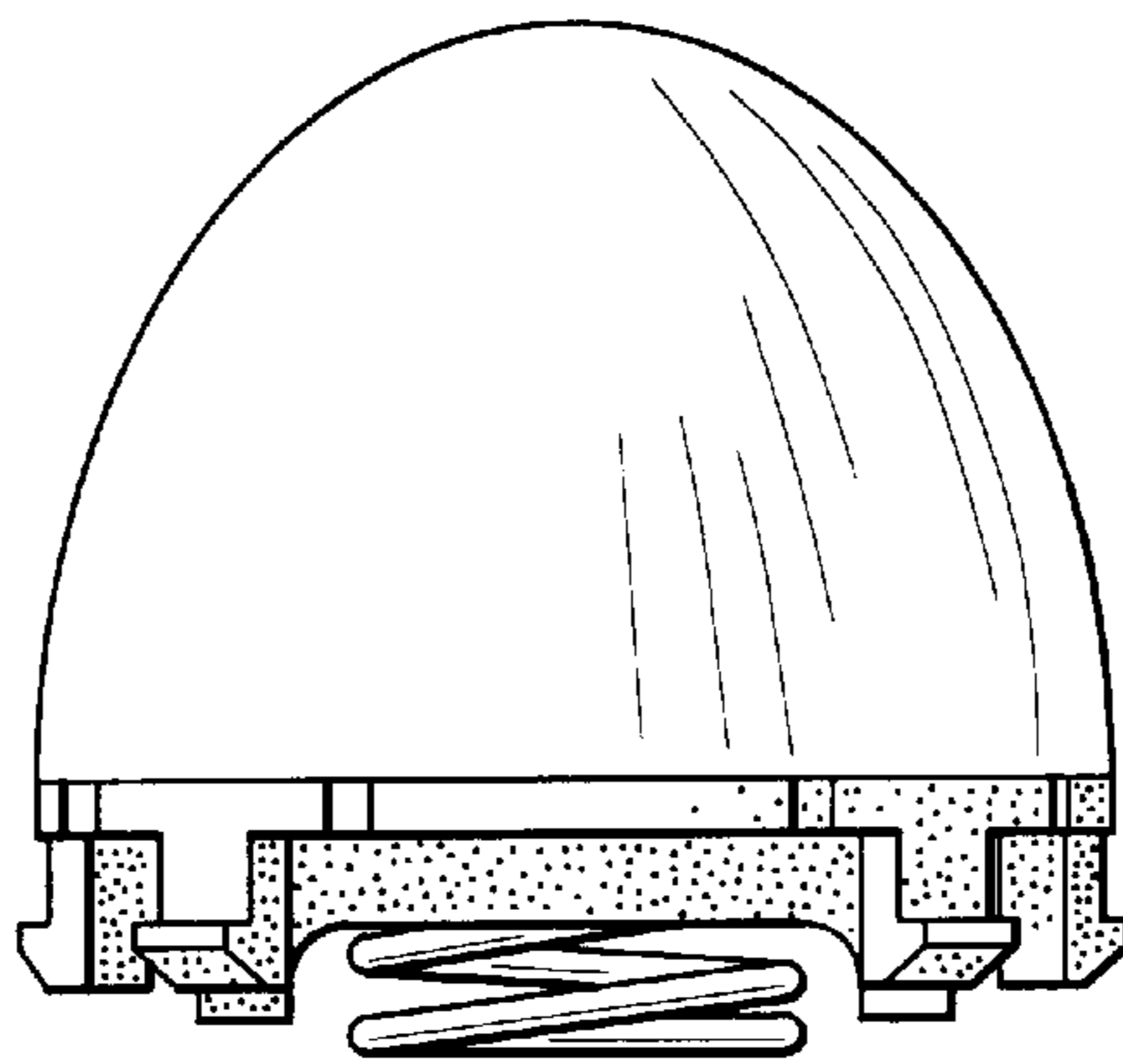


FIG. 5

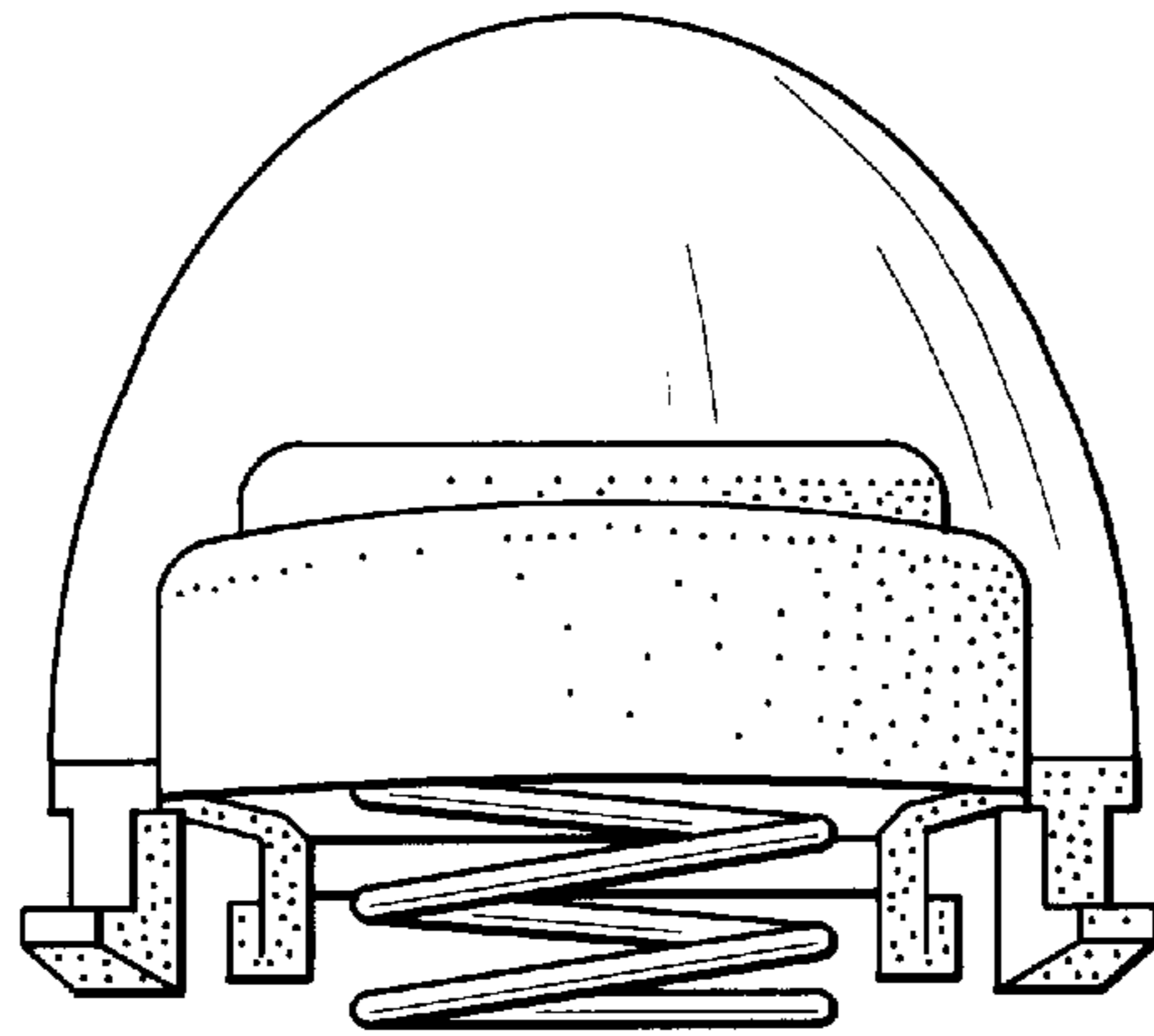


FIG. 6

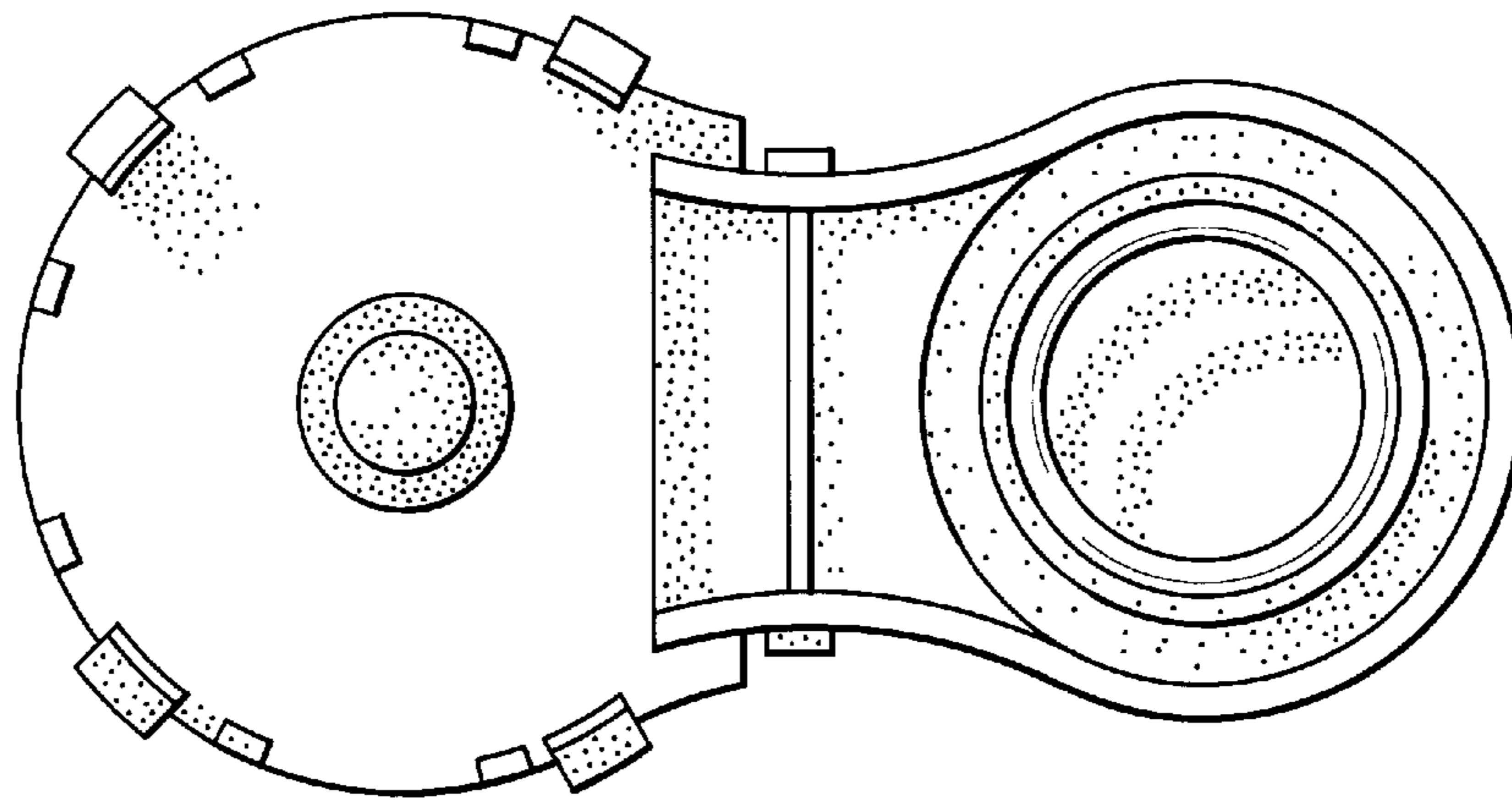


FIG. 7

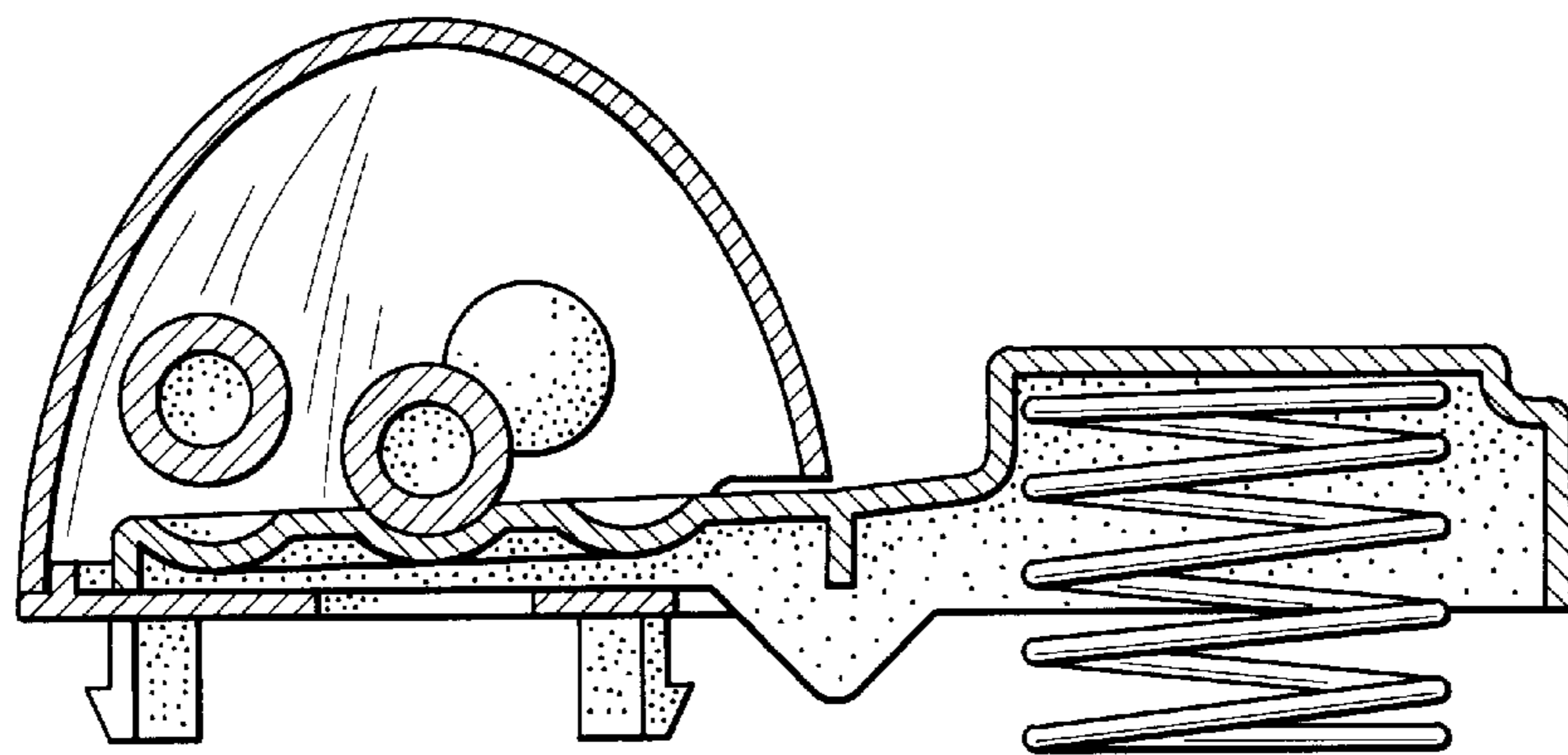


FIG. 8