



US00D422314S

United States Patent [19] Tandberg

[11] Patent Number: **Des. 422,314**

[45] Date of Patent: **** Apr. 4, 2000**

[54] **REVERSE VENDING MACHINE**

[75] Inventor: **Roy Håvard Tandberg**, Nesøya, Norway

[73] Assignee: **Tomra Systems ASA**, Asker, Norway

[**] Term: **14 Years**

[21] Appl. No.: **29/081,813**

[22] Filed: **Oct. 3, 1997**

[51] **LOC (6) Cl.** **20-01**

[52] **U.S. Cl.** **D20/1**

[58] **Field of Search** D20/1-4, 8-9;
194/239, 320, 342, 350

[56] **References Cited**

U.S. PATENT DOCUMENTS

D. 192,180	2/1962	Hodgman	D20/5
D. 325,746	4/1992	Cerf	D20/1
3,132,654	5/1964	Adams	194/320 X
4,591,042	5/1986	Wenner	194/225

Primary Examiner—Nanda Bondade
Attorney, Agent, or Firm—Rodman & Rodman

[57] **CLAIM**

The ornamental design for a reverse vending machine, as shown and described.

DESCRIPTION

FIG. 1 is a front perspective view from one side of the reverse vending machine embodying my new, original and ornamental design.

FIG. 2 is a front perspective view from the other side of the reverse vending machine.

FIG. 3 is a rear perspective view from said one side of the reverse vending machine.

FIG. 4 is a rear perspective view from the other side of the reverse vending machine.

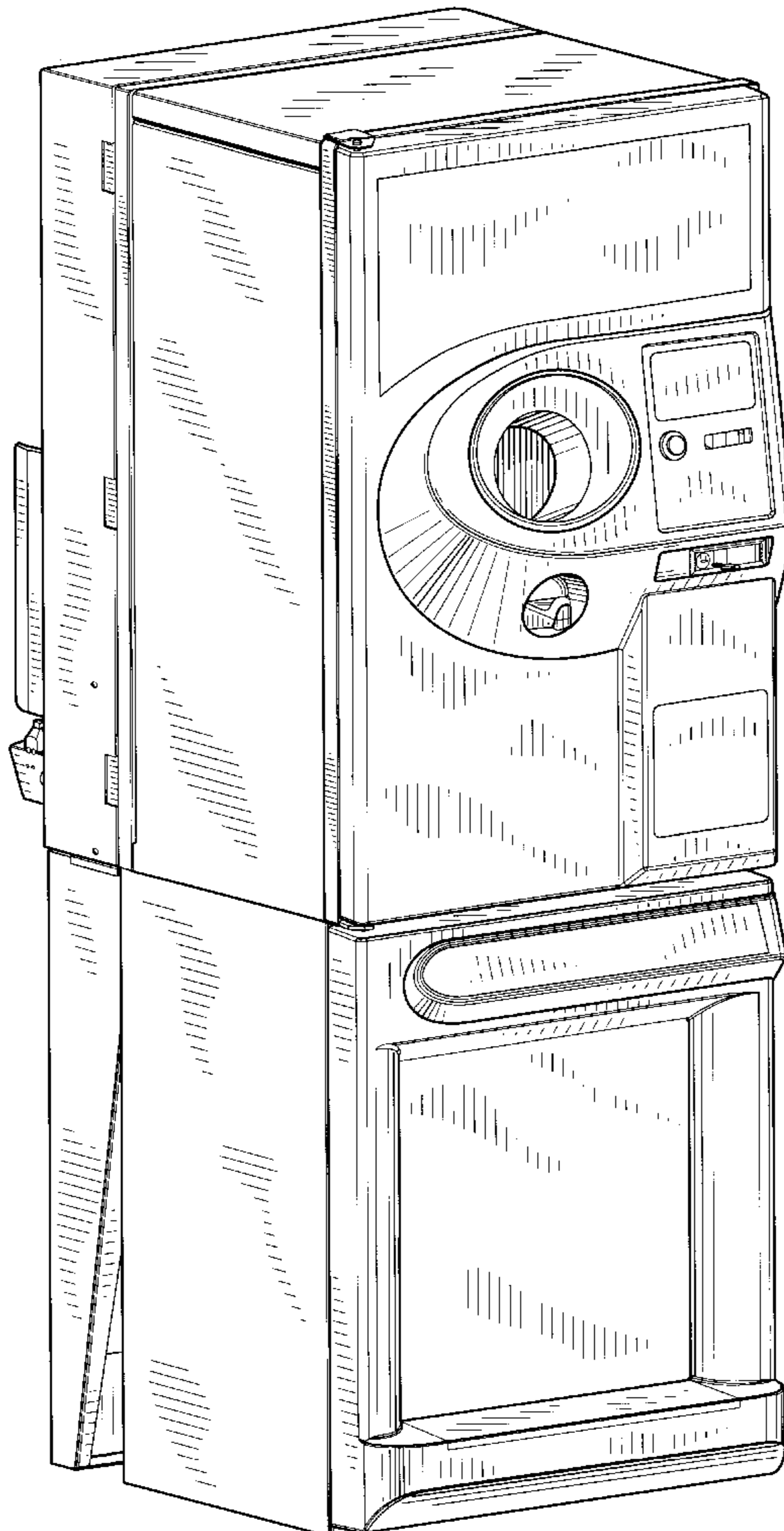
FIG. 5 is a front perspective view from one side of a reverse vending machine without a bottom front panel, shown separately for clarity of illustration.

FIG. 6 is a front perspective view from the other side of the reverse vending machine shown on FIG. 5.

FIG. 7 is a rear perspective view from said one side of the reverse vending machine shown on FIG. 5.

FIG. 8 is a rear perspective view from the other side of the reverse vending machine shown on FIG. 5.

1 Claim, 8 Drawing Sheets



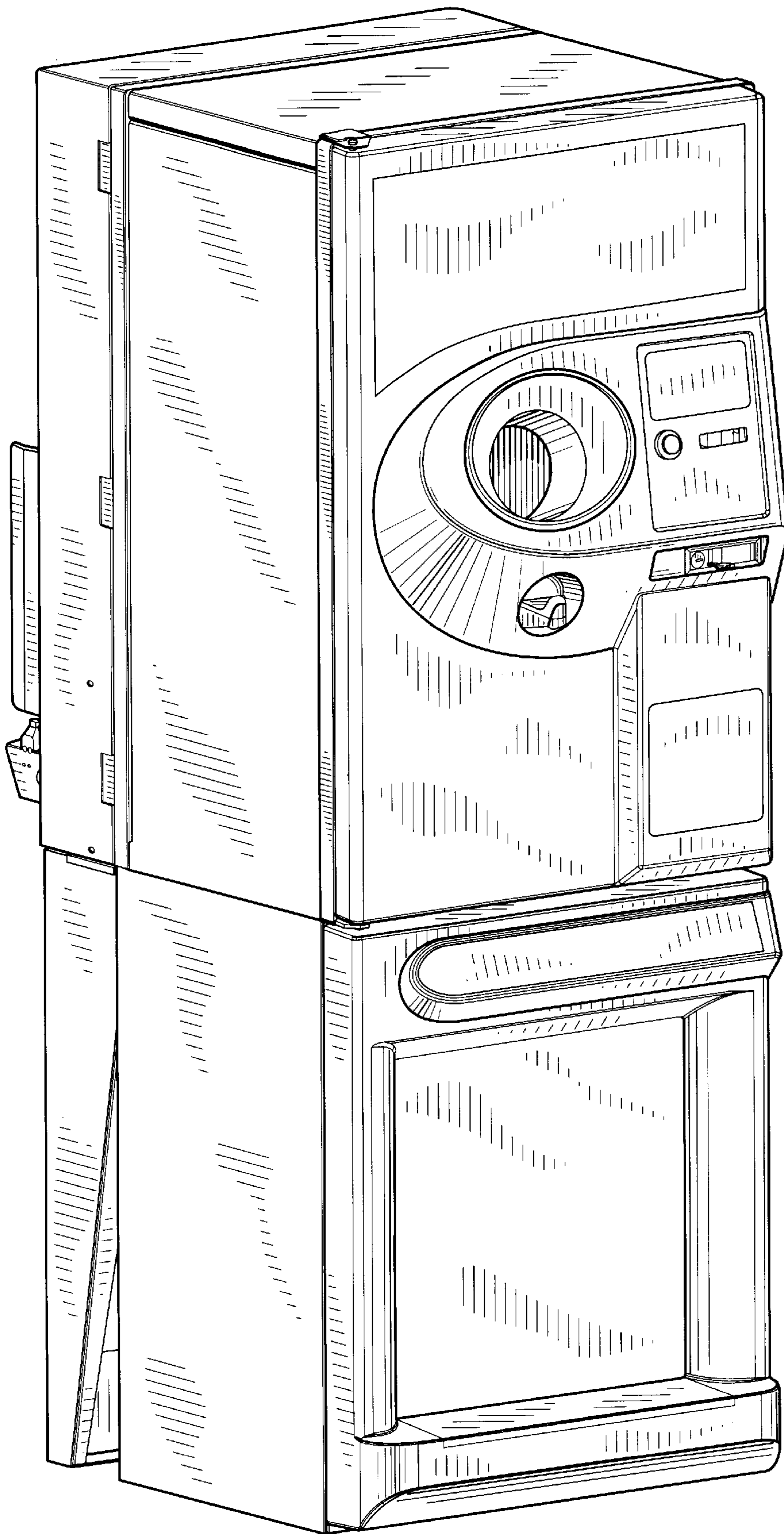


FIG. 1

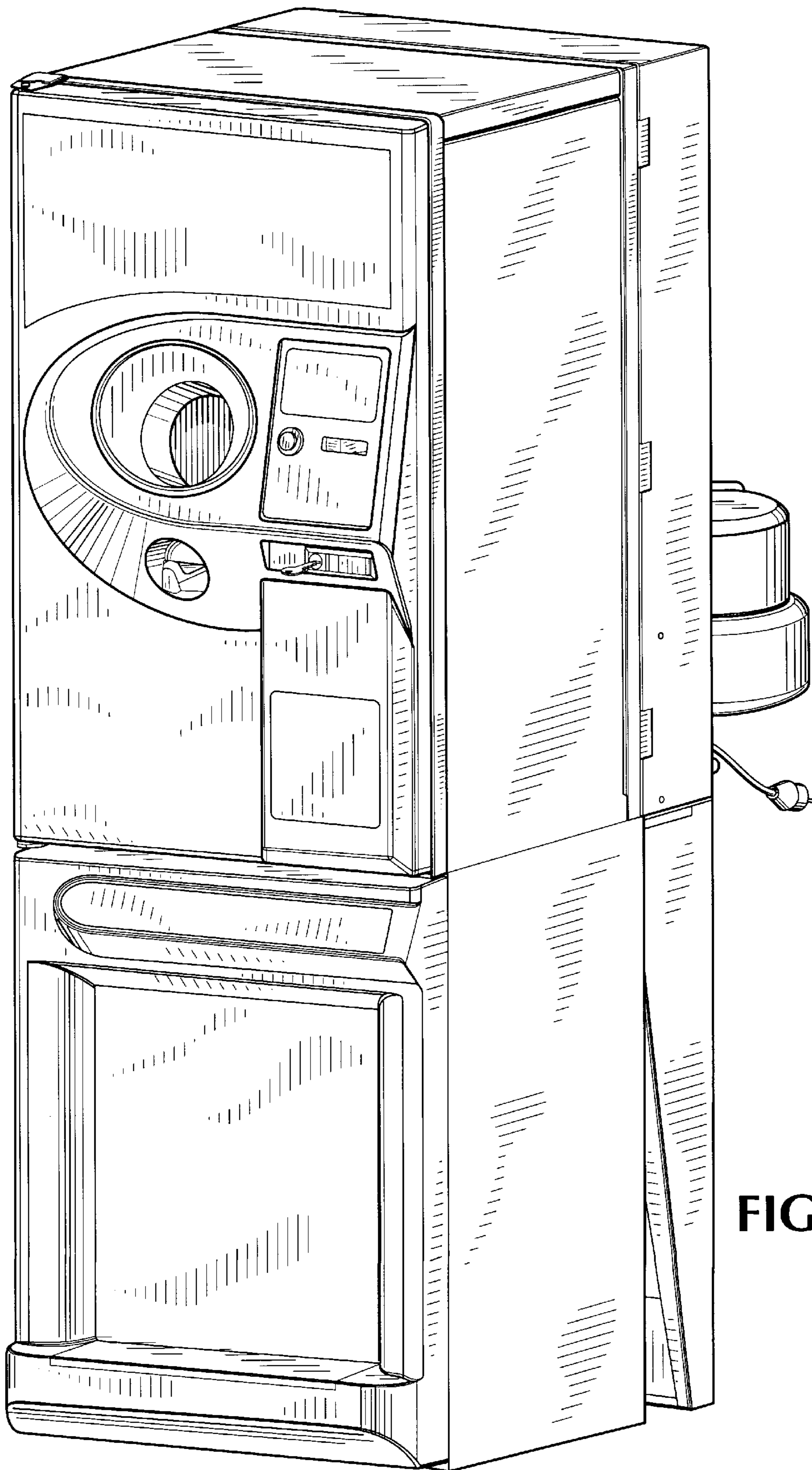


FIG. 2

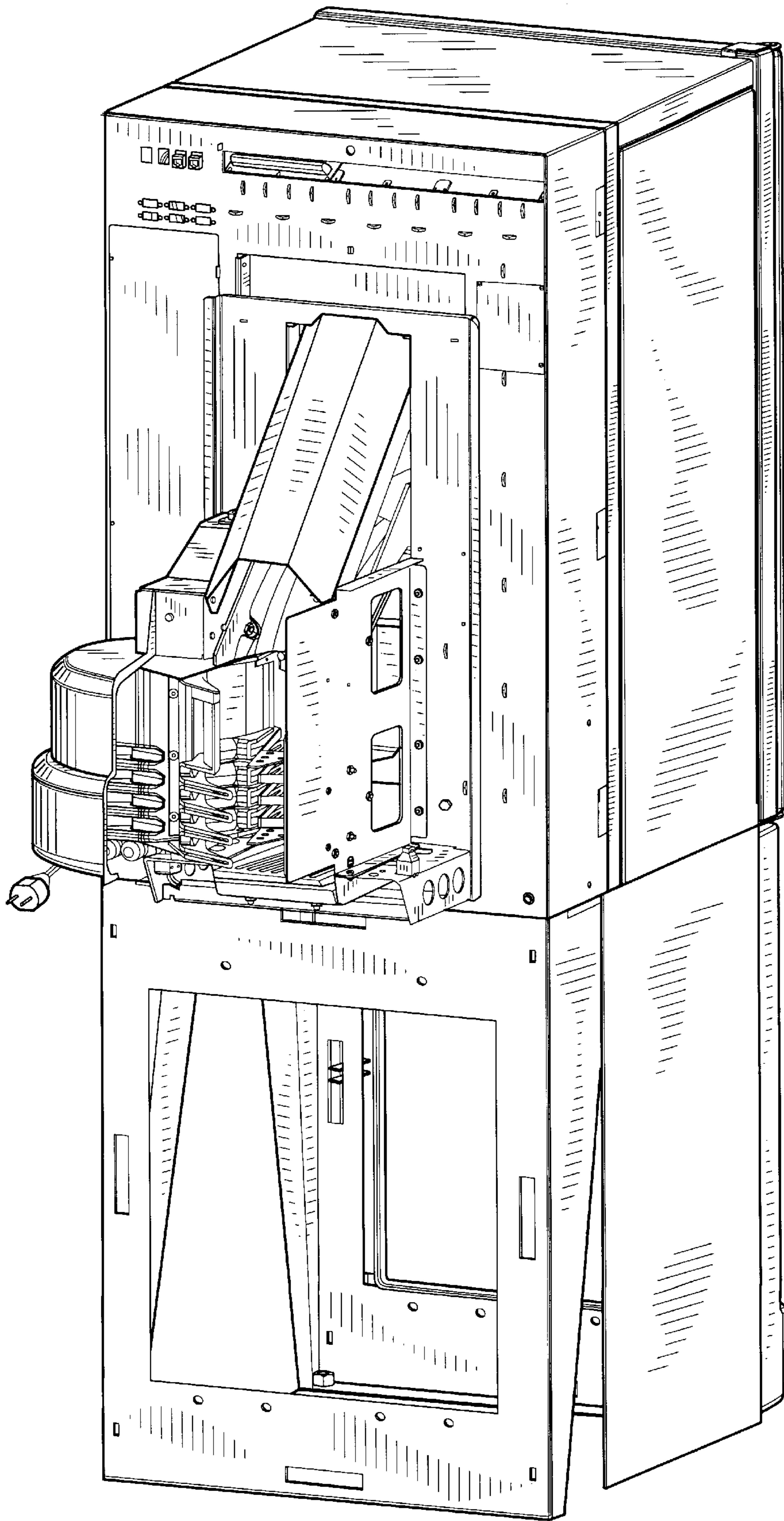


FIG. 3

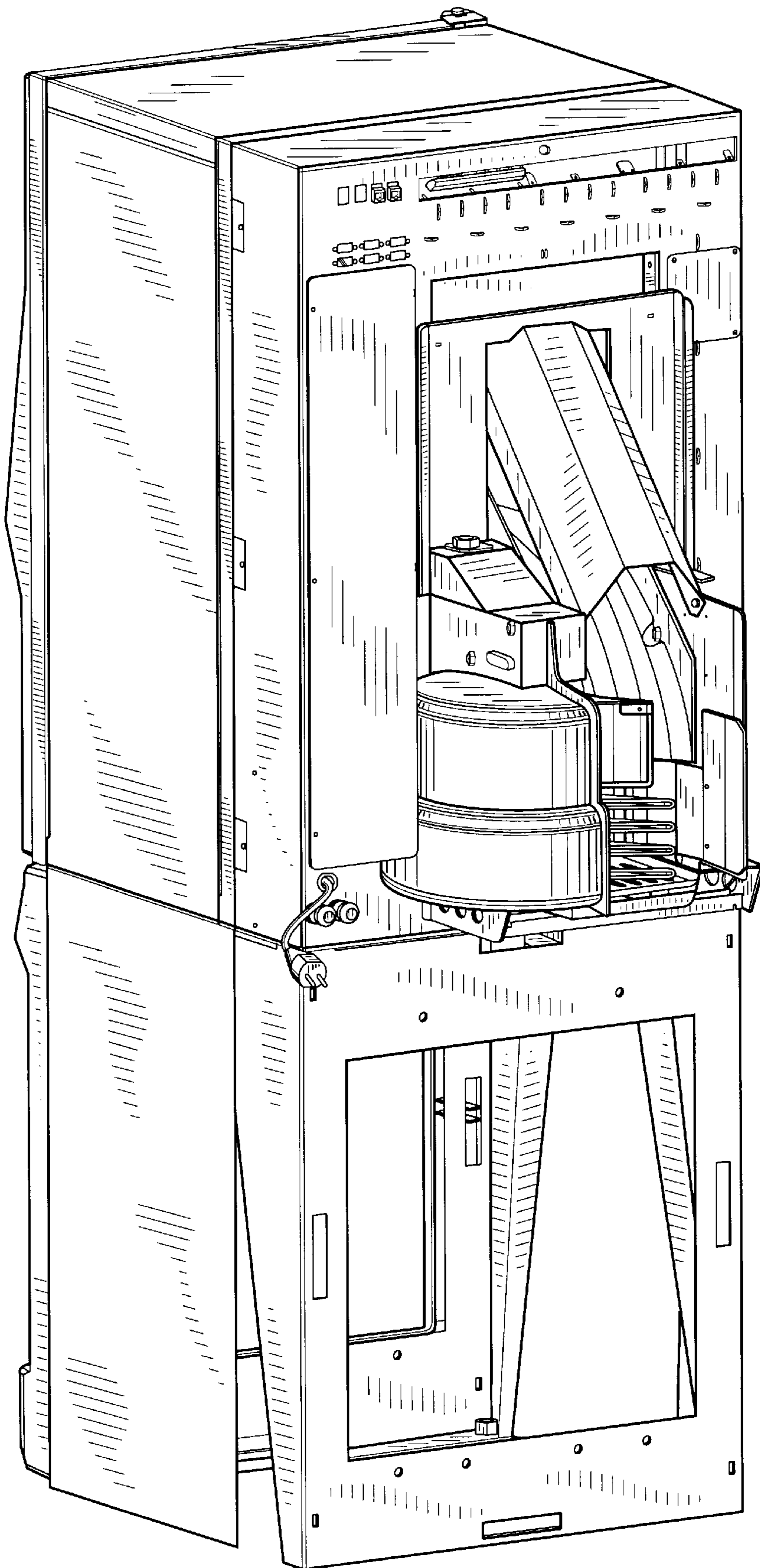


FIG. 4

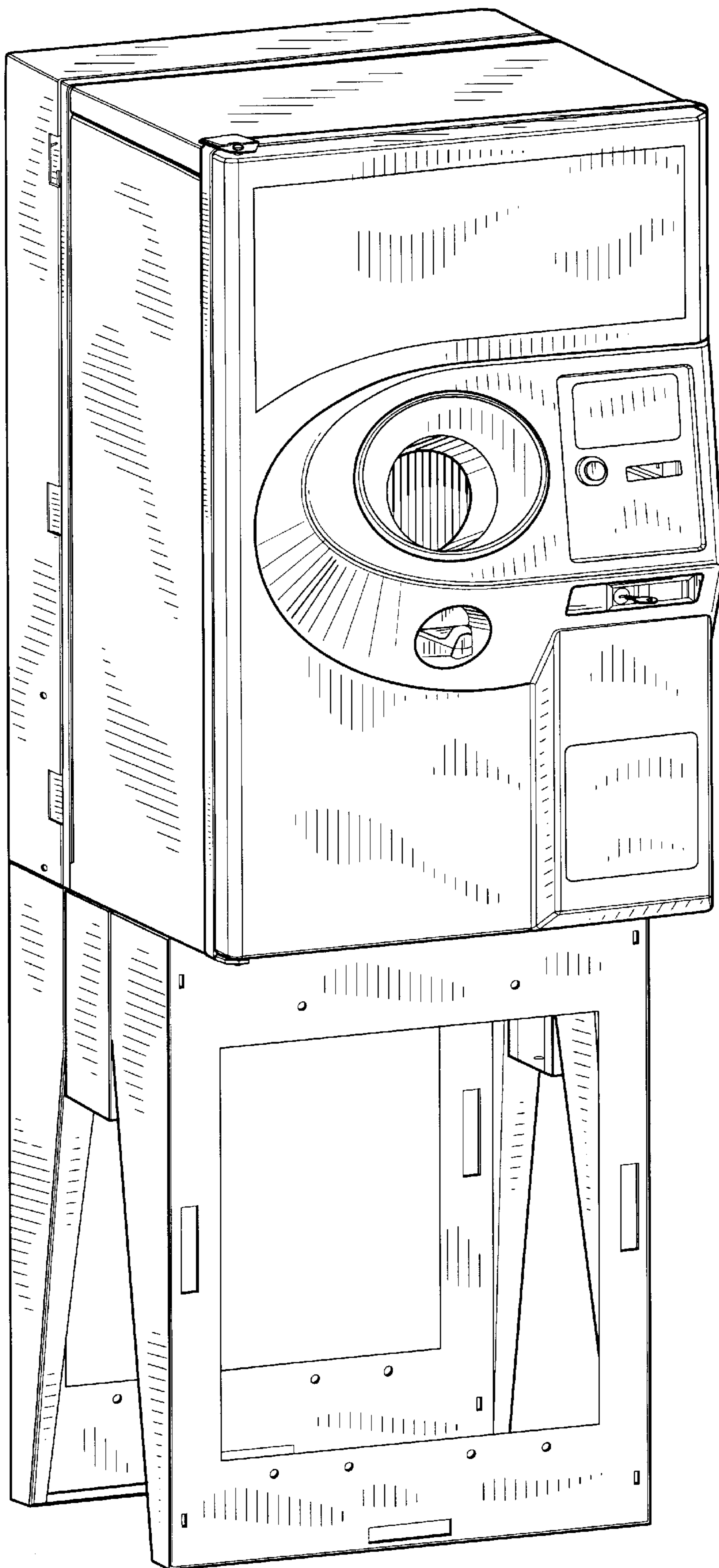


FIG. 5

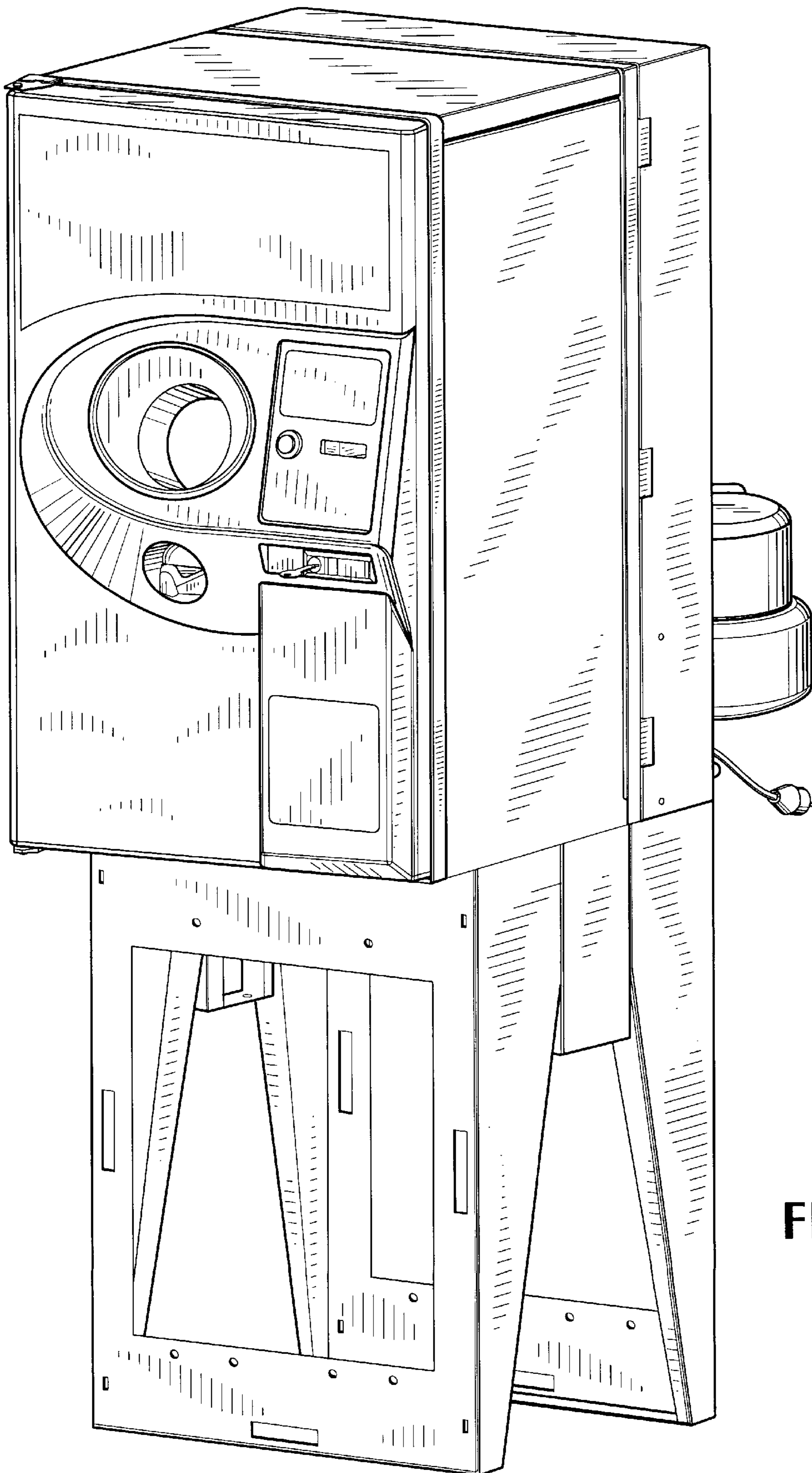


FIG. 6

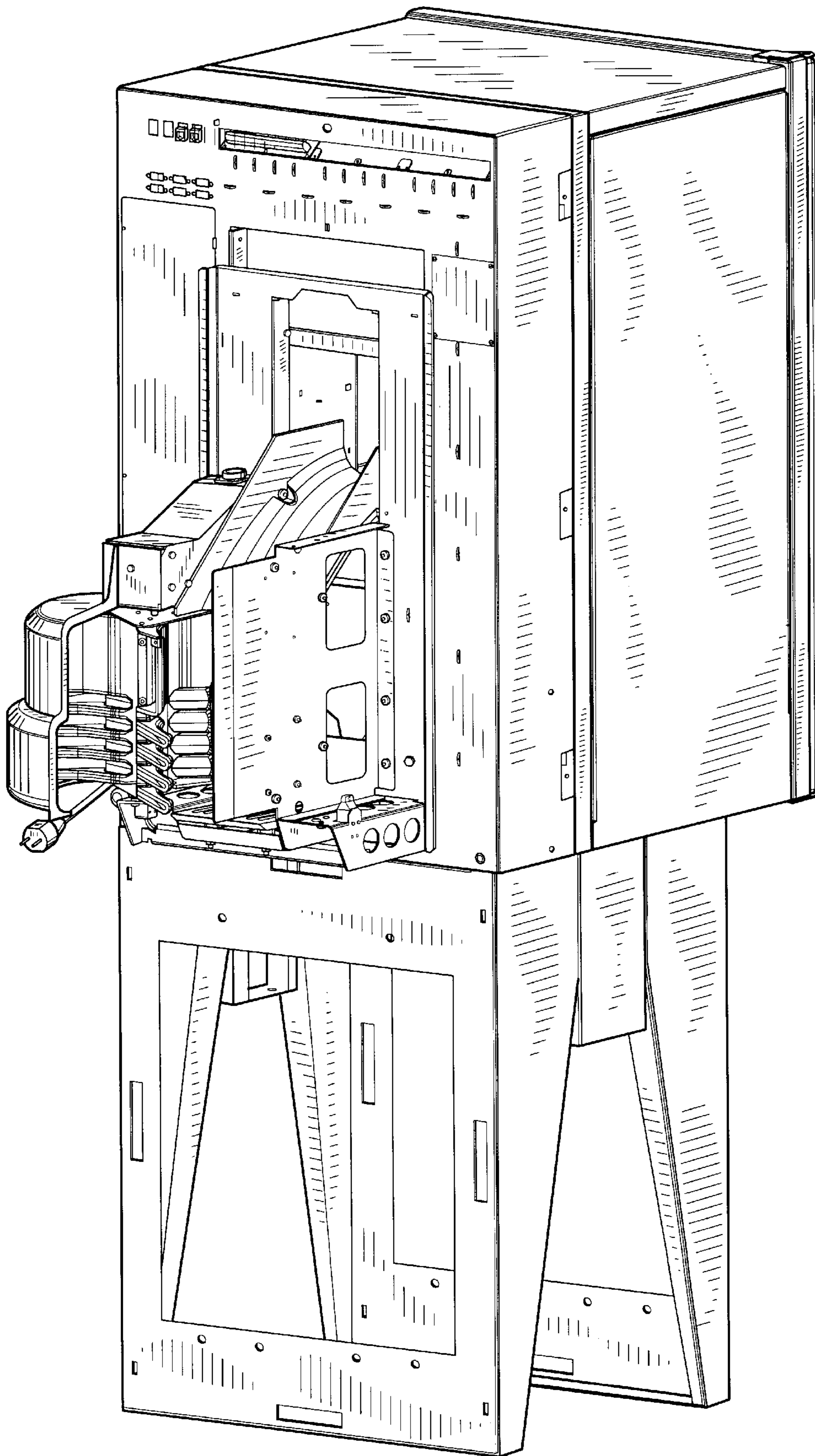


FIG. 7

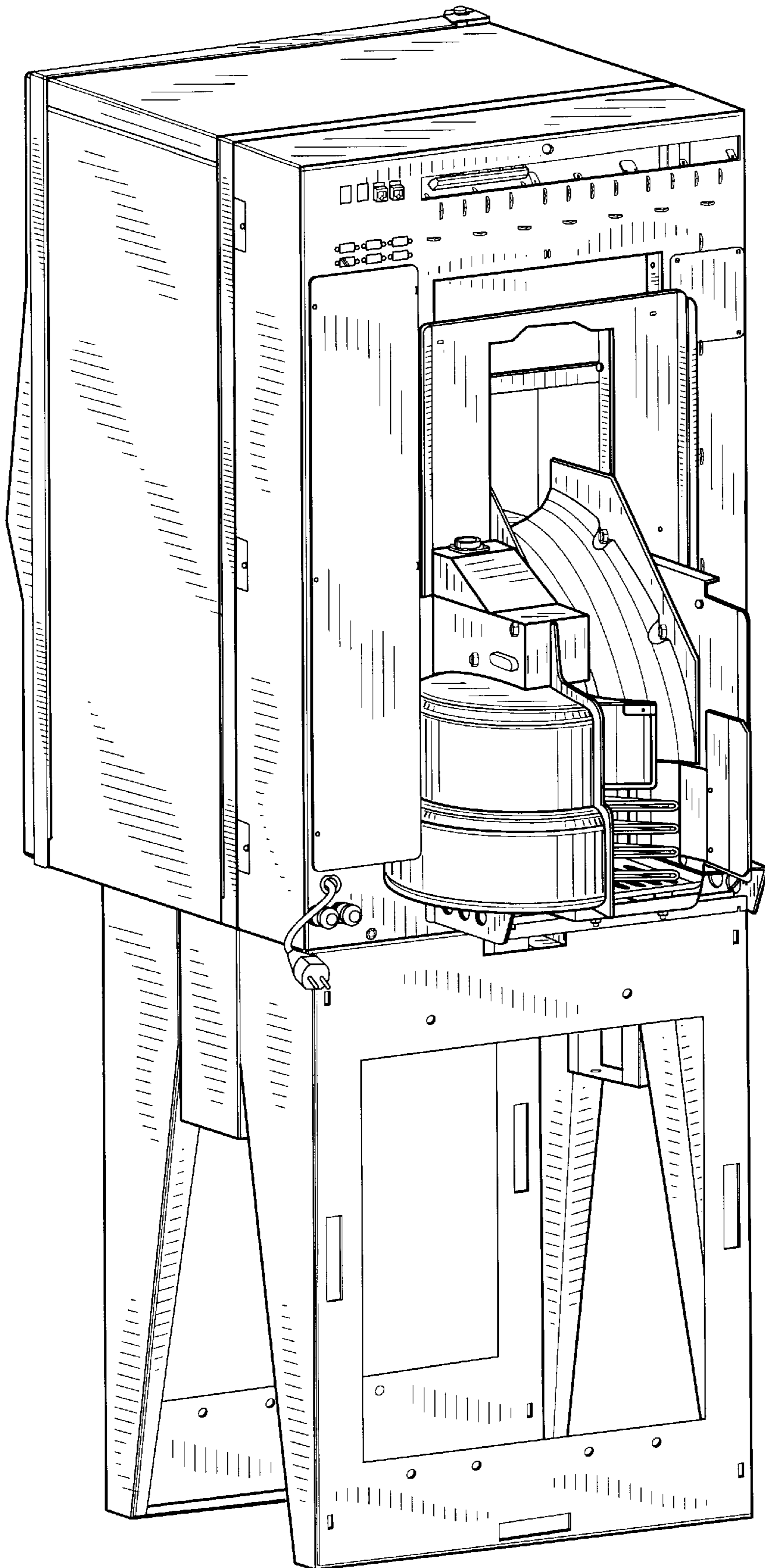


FIG. 8