



US00D422311S

United States Patent [19] Shamoon

[11] Patent Number: Des. 422,311

[45] Date of Patent: ** *Apr. 4, 2000

[54] **CLIPBOARD CLAMP**

[76] Inventor: **Ellis N. Shamoon**, 2833 Park Bridge Ct., Dallas, Tex. 75219

[*] Notice: This patent is subject to a terminal disclaimer.

[**] Term: **14 Years**

[21] Appl. No.: **29/089,888**

[22] Filed: **Jun. 25, 1998**

[51] **LOC (6) Cl.** **19-02**

[52] **U.S. Cl.** **D19/65; D19/88; D19/86; D19/99; D8/395**

[58] **Field of Search** 281/15.1; D19/65, D19/34, 36, 75, 85, 86, 88, 90, 99, 100; D8/395; 248/441.1, 442.2, 444.1, 451, 452; 24/67 R, 67.1-67.9, 69.11, 501, 507, 511, 489, 499, 545-549, 562, 563

[56] **References Cited**

U.S. PATENT DOCUMENTS

- D. 182,577 4/1958 Fleming D19/88
- D. 331,263 11/1992 Shing-Wai D19/36 X
- D. 334,213 3/1993 Evenson D19/65 X

- D. 352,314 11/1994 Wolff D19/65
- D. 364,188 11/1995 Wolff D19/65
- 3,711,899 1/1973 Shelton et al. 24/67.7
- 3,833,970 9/1974 Smith, Jr. 24/67.5
- 4,243,249 1/1981 Goss 281/15.1
- 5,732,925 3/1998 Shamoon 248/452

Primary Examiner—Martie K. Holtje
Attorney, Agent, or Firm—Daniel V. Thompson

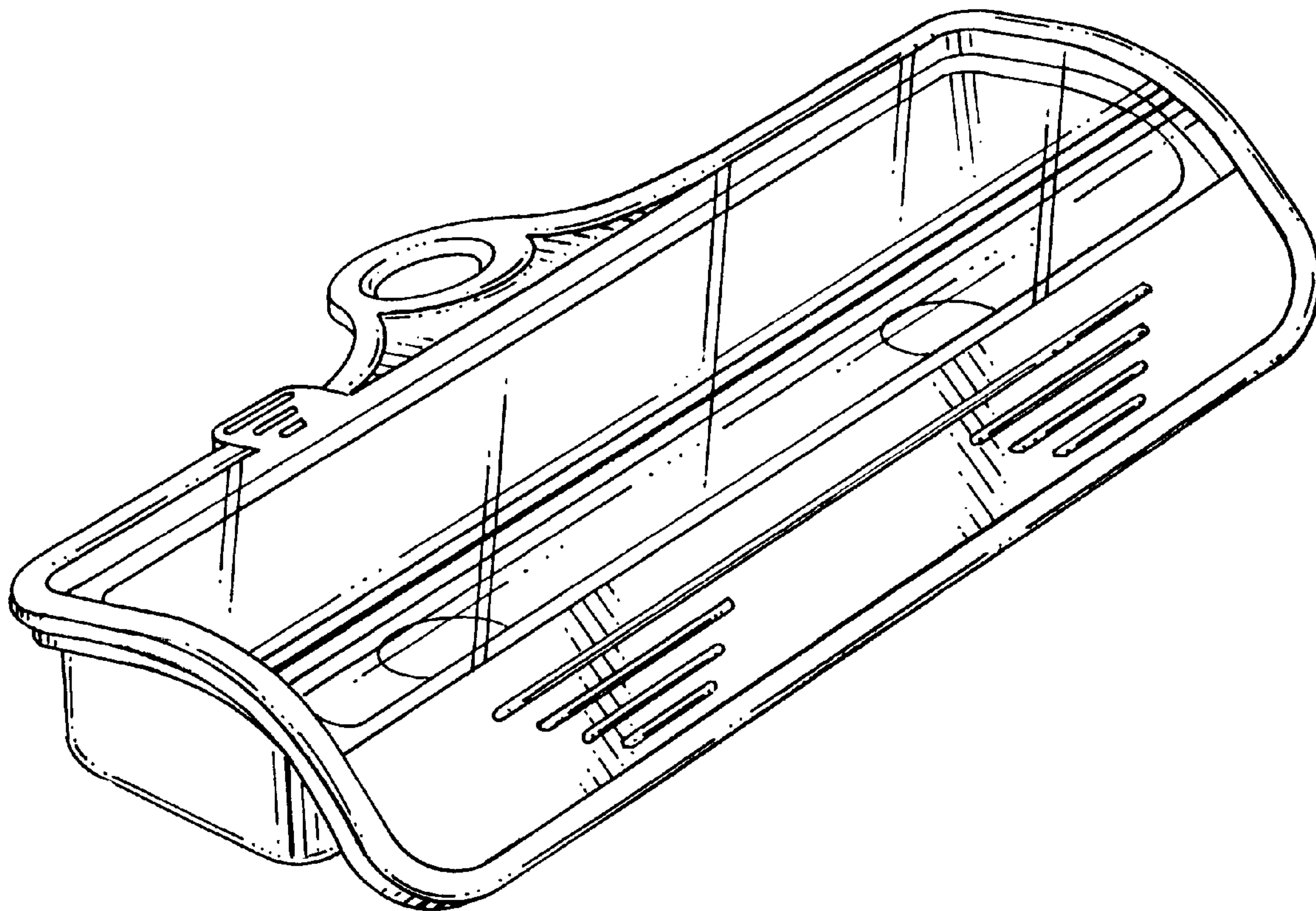
[57] **CLAIM**

The ornamental design for an “clipboard clamp”, as shown and described.

DESCRIPTION

FIG. 1 is a top, left front perspective view of a clipboard clamp showing my new design;
 FIG. 2 is a top plan view;
 FIG. 3 is a left side elevational view;
 FIG. 4 is a right side elevational view;
 FIG. 5 is a bottom plan view;
 FIG. 6 is a rear elevational view;
 FIG. 7 is a front elevational view; and,
 FIG. 8 is a reduced top, left front perspective view, the clipboard and paper pad depicted by means of broken lines being shown for illustrative purposes only and forming no part of the claimed design.

1 Claim, 3 Drawing Sheets



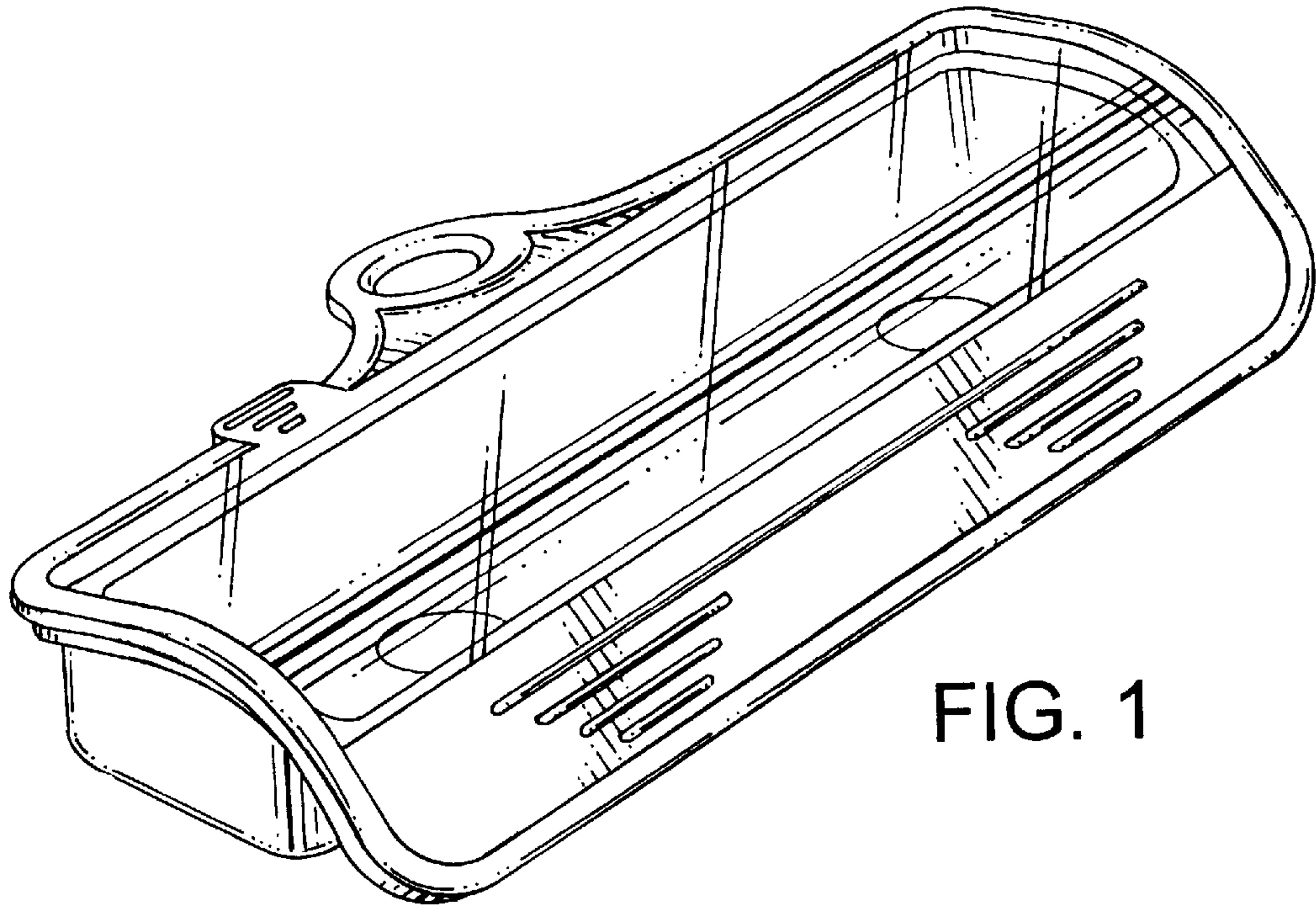


FIG. 1

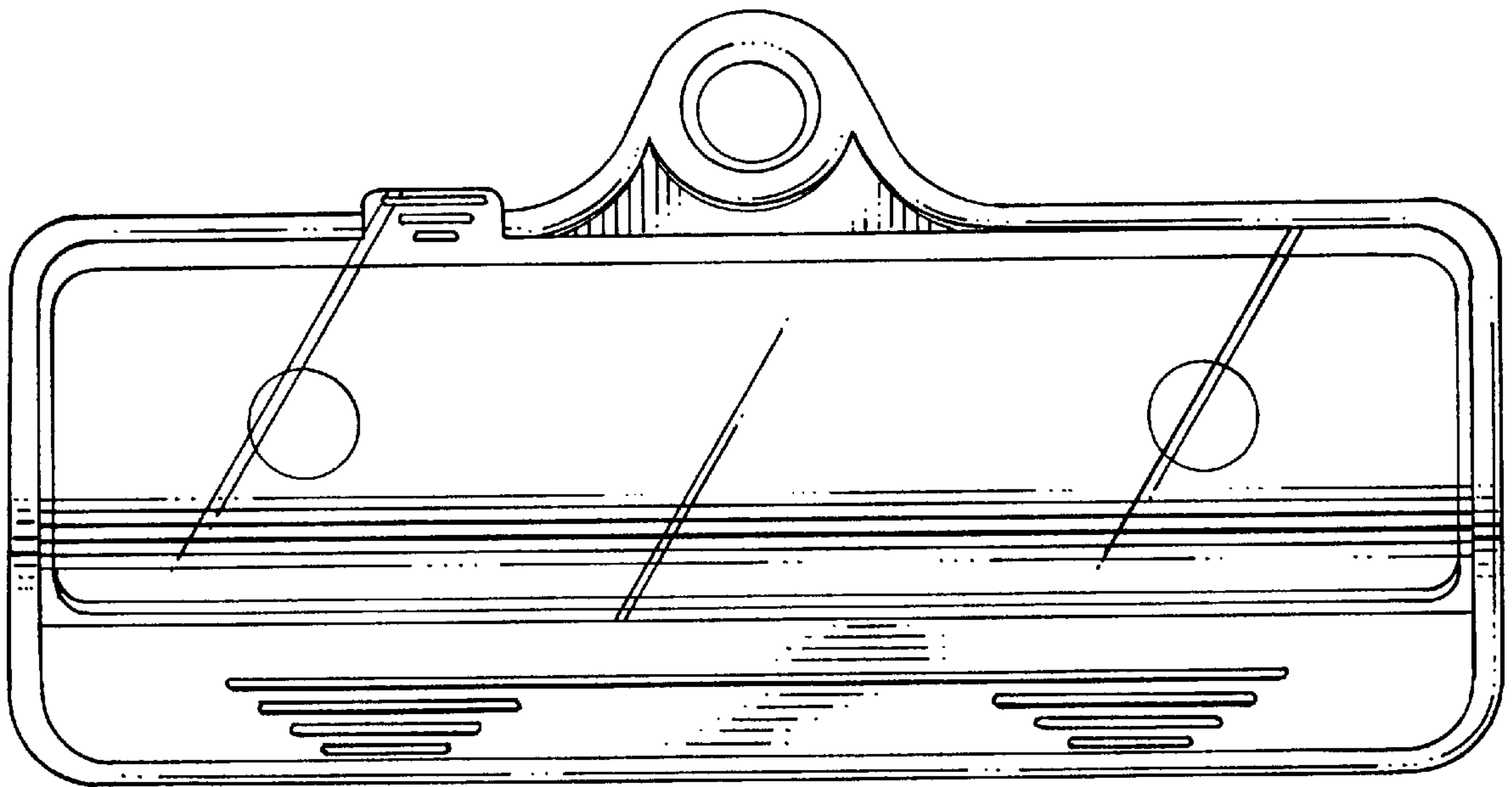


FIG. 2

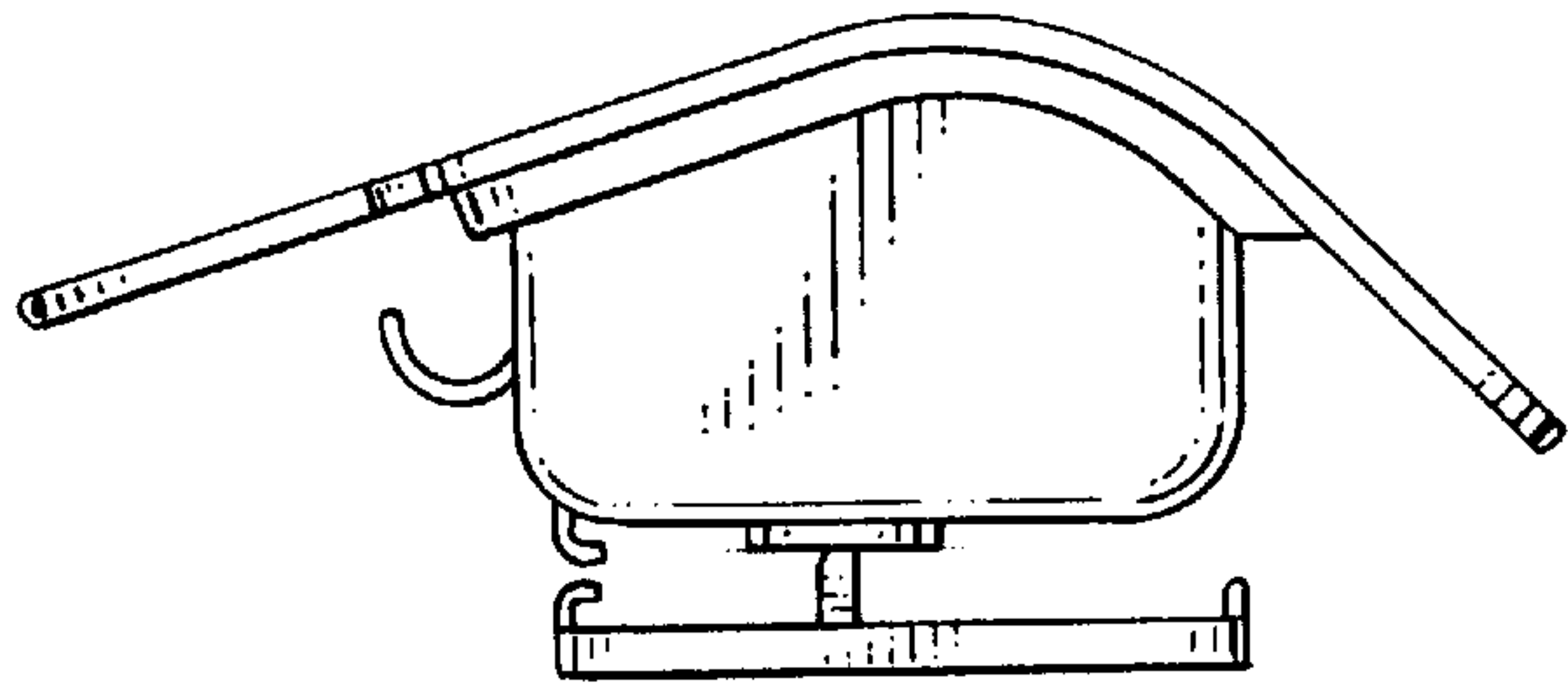


FIG. 3

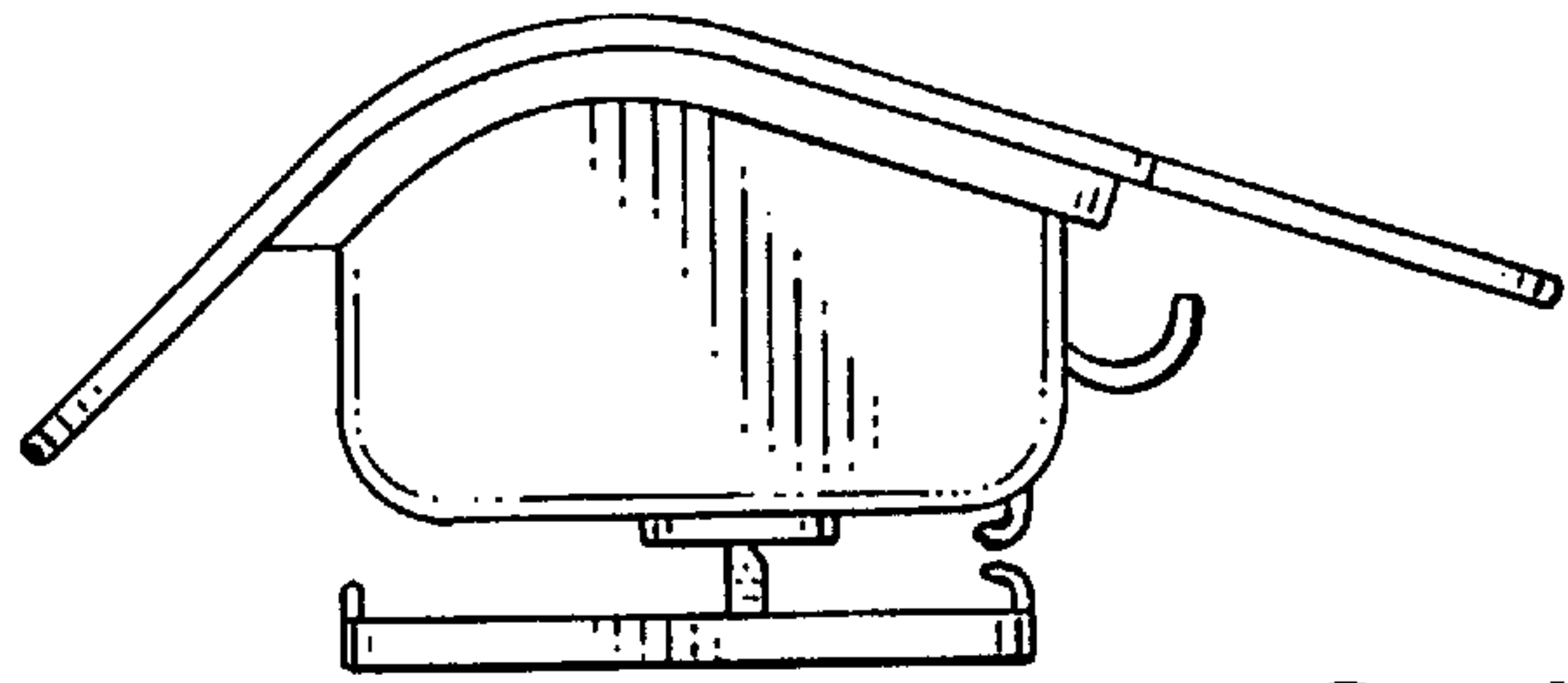


FIG. 4

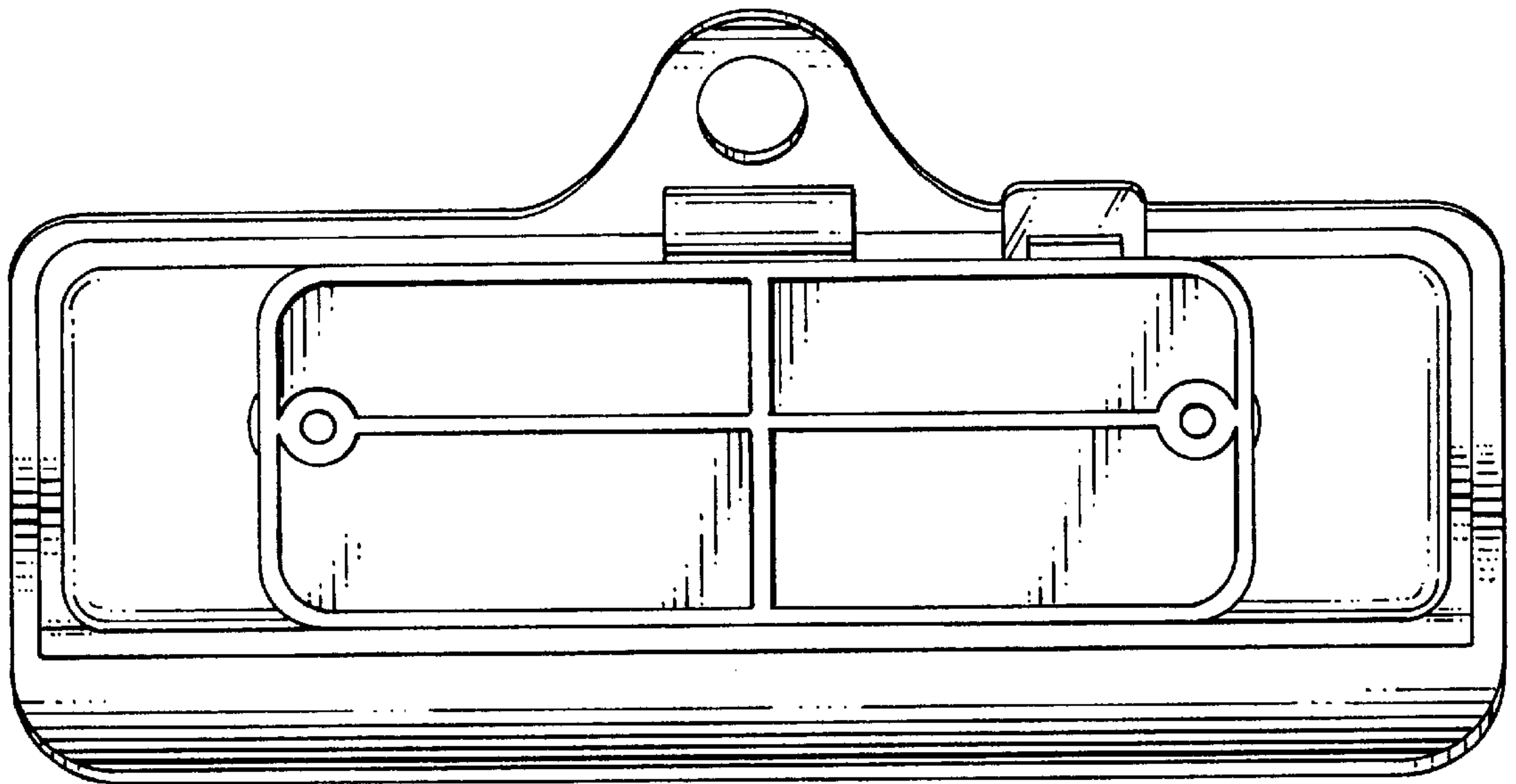


FIG. 5

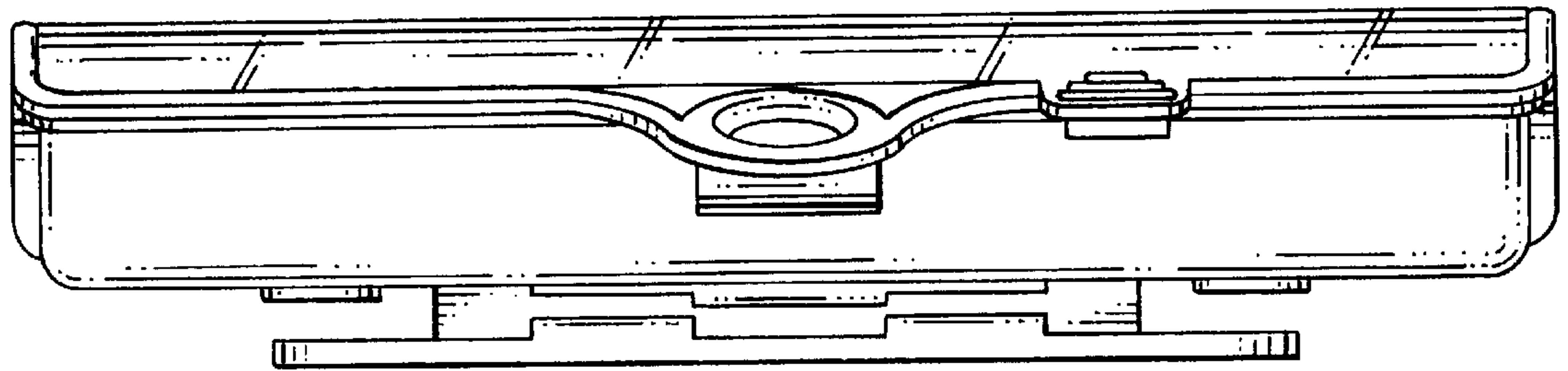


FIG. 6

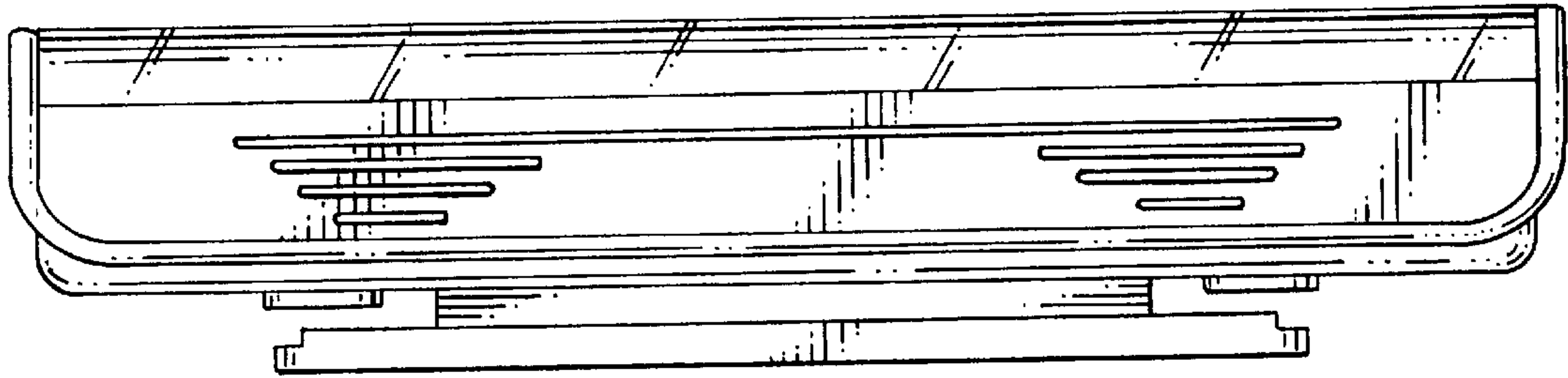


FIG. 7

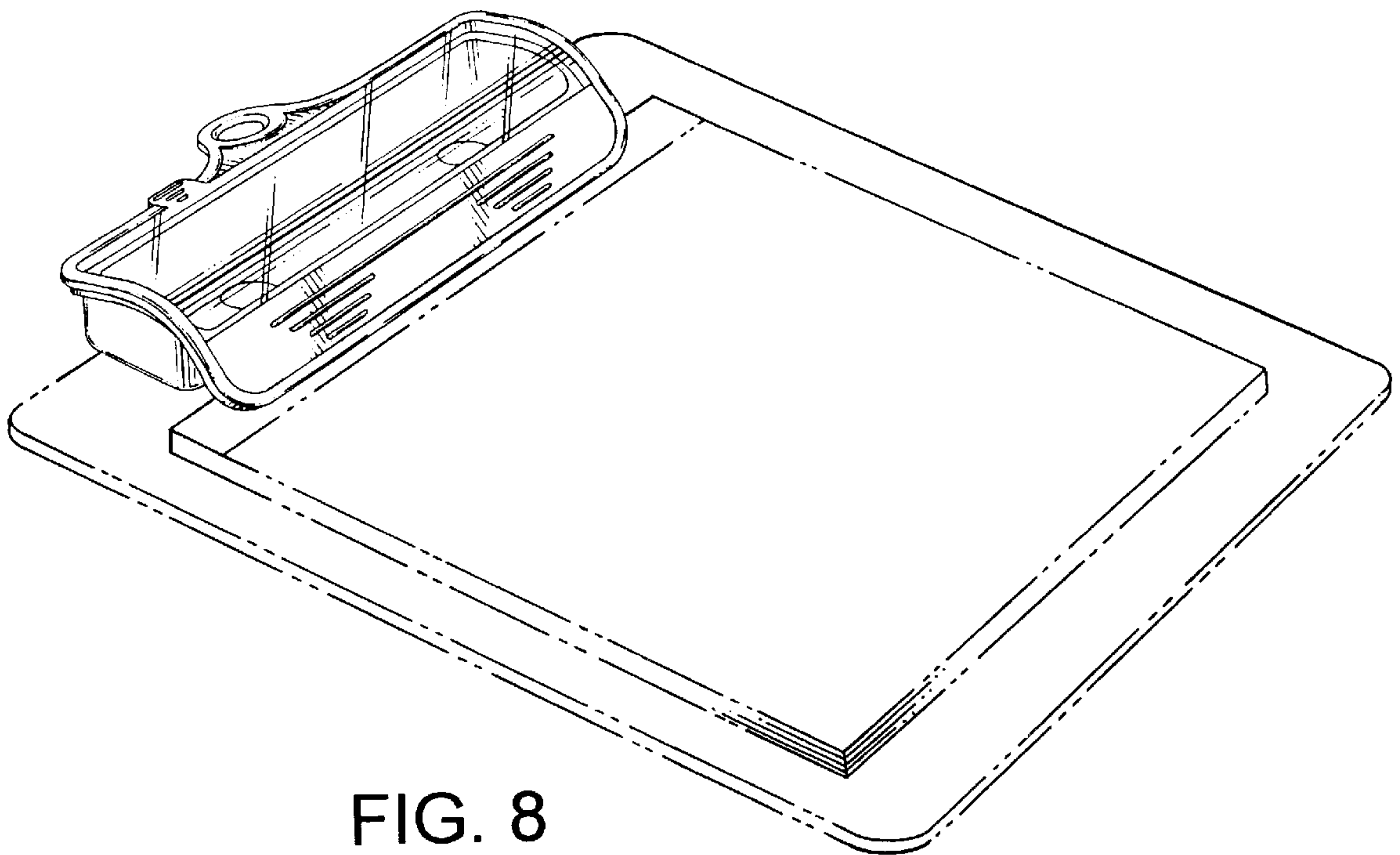


FIG. 8